

HIDROMEK®

KAZICI YÜKLEYİCİ
BACKHOE LOADER

HMK 102S MAESTRO



YEDEK PARÇA KATALOĞU SPARE PARTS CATALOG

SERİ NO / SERIAL NO : A80001- REXROTH
BASKI TARİHİ / EDITION DATE : 06.07..2015
KATALOG NO / CATALOG NO : Y1012643

ÖNSÖZ

HMK 102 Serisi İş Makinasını tercih ettiğiniz için teşekkür ederiz. Bu katalog 102 serisi'nin yedek parça hizmeti için hazırlanmıştır. İyi bir servis hizmeti ve doğru parça seçimi için kataloğun kapsamı ile ilgili aşağıda belirtilen açıklamaları okuyunuz ve anlayınız.

No

Gösterilen parçanın poz numarasını verir.

Parça No

Resimde gösterilen parçaların parça numarasını gösterir.

Parça Adı

Parçanın adını gösterir.

Adet

Parçanın o sayfada yer alan gruptaki kullanım adedini gösterir.

SK

Servis kodu kolonunda yer alan kısaltmaların aşağıda gösterildiği gibi kendilerine ait anlamları vardır.

K	→	Parçanın kit içinde yer aldığı anlamına gelir. Kitin içinde yer alan parçalar teker teker tedarik edilemez.
OP	→	Opsiyonel parça
NSP	→	Servis parçası değil.
S	→	Set. Set içinde yer alan parçalar teker teker tedarik edilebilir.

Başlangıç Seri No (Bas. S. N.)

Parçanın kullanıldığı makinenin başlangıç seri numarasını gösterir.

Örneğin; A19001 - → gösterilen parça A19001'den itibaren kullanılmıştır.

Bitiş Seri No (Bit. S. N.)

Parçanın kullanıldığı makinenin başlangıç seri numarasını gösterir.

Örneğin; - B040001 → gösterilen parça B040150'e kadar kullanılmıştır.

Yerine Kullanım (Y. Kul.)

Parçaların birbirleri yerine kullanılabilirliğini ifade eder.

- A → Birbirlerinin yerine kullanılabilirler. (eski parça ↔ yeni parça)
- B → Biri diğerinin yerine kullanılabilir. (eski parça → yeni parça)
- C → Biri diğerinin yerine kullanılabilir. (eski parça ← yeni parça)
- D → Birbirlerinin yerine kullanılamaz. (eski parça – yeni parça)

Not

Parçaların tanımlarında yer almayan açıklamaları gösterir.

PREFACE

We would like to thank you for purchasing HMK 102 Series Construction Equipment. This catalog has been prepared for ordering spare parts for 102 series. For satisfactory service and selection of correct part, read and understand instructions as shown below.

No

This indicates the indicating number of part.

Part No

It shows the part number of the parts which are included in an illustration.

Description

It shows the name of the part.

Q'ty

It shows the quantity use of part for the group that was illustrated on page.

SC

Abbreviations on service code column have their own meaning as show below.

- K → This means that the part is contained in the kit. Parts are given with KIT, can not be supplied individually.
- OP → Optional part
- NSP → Non service part.
- S → Set. Parts are given with set, can be supplied individually.

Serial Number From (S./N. From)

It shows the machine serial number in which the parts are used.

For example; A19001 - → the part that is shown in illustration was used from A19001.

Serial Number From (S./N. To)

It shows the machine serial number in which the parts are used.

For example; - B040001 → the part that is shown in illustration was used to B040150.

ICA

This indicates the interchangeability of the parts between a new one and old one.

- A → Mutual interchangeability (old part ↔ new part)
- B → One way interchangeability (old part → new part)
- C → One way interchangeability (old part ← new part)
- D → No interchangeability (old part – new part)

Note

It shows explanations, which are not given in description

KISALTMALAR / ABBREVIATIONS

KISALTMA/ABBREVIATION	AÇIKLAMA	DESCRIPTION
&	VE	AND
A/C		AIR CONDITIONER
A.K.V.	ANA KUMANDA VALFİ	
AM		ARM
AR		AS REQUIRED
ASS'Y		ASSEMBLY
BKT		BUCKET
BM		BOOM
BG	BULGARCA	
FR	FRANSIZCA	
HYD.		HYDRAULIC
ISP	İSPANYOLCA	
İNG	İNGİLİZCE	
JY	JOYSTICK	
K	KİT	KIT
K.M.	KAYNAKLI MONTAJ	
LH		LEFT HAND
LR		LONG REACH
LV	LEVYELİ	LEVERS
M.C.V.		MAIN CONTROL VALVE
OP	OPSİYONEL	OPTINAL
PORT	PORTEKİZCE	
REV.	REVİZYON	REVISION
RH		RIGHT HAND
RUS	RUSÇA	
S	SET	SET
STD	STANDART	STD
SW		SWING
TR	TÜRKÇE	
TRV		TRAVEL
W.A.		WELDING ASSEMBLY

İÇİNDEKİLER / CONTENTS

A	MOTOR SİSTEMİ	ENGINE SYSTEM
A010.02.01	MOTOR VE ŞANZİMAN MONTAJI	ENGINE & TRANSMISSION MOUNTING
A010.02.01	MOTOR VE ŞANZİMAN MONTAJI	ENGINE & TRANSMISSION MOUNTING
A020.01.01	MOTOR KONTROL SİSTEMİ	ENGINE CONTROL SYSTEM
A030.04.01	HAVA EMİŞ SİSTEMİ	AIR INTAKE SYSTEM
A030.05.01	HAVA EMİŞ SİSTEMİ (OP)	AIR INTAKE SYSTEM (OP)
A040.03.01	EGSOZ MONTAJI	EXHAUST MOUNTING
A050.02.01	MOTOR SOĞUTMA MONTAJI, WASTEGATE	ENGINE COOLING MOUNTING, WASTEGATE
A070.01.01	YAKIT SİSTEMİ	FUEL SYSTEM
A070.01.01	YAKIT SİSTEMİ	FUEL SYSTEM
A070.01.01	YAKIT SİSTEMİ	FUEL SYSTEM
A070.01.01	YAKIT SİSTEMİ	FUEL SYSTEM
A070.01.01	YAKIT SİSTEMİ	FUEL SYSTEM
A080.01.01	KALORİFER SİSTEMİ	HEATER SYSTEM
A080.01.01	KALORİFER SİSTEMİ	HEATER SYSTEM
A090.01.01	KLİMA MONTAJI (OP)	AIR CONDITIONER MOUNTING (OP)
A090.01.01	KLİMA MONTAJI (OP)	AIR CONDITIONER MOUNTING (OP)
B	ŞASI VE KAPORTA	FRAME & COWLING
B010.02.01	ŞASI	MAIN FRAME
B020.00.01	AYAK, KIZAK	STABILIZER, SIDESHIFT
B020.00.01	AYAK, KIZAK	STABILIZER, SIDESHIFT
B040.00.01	KIZAK PAPUCU	STABILIZER PADS
B050.00.01	DÖNÜŞ TABLASI	KINGPOST CARRIAGE
B060.00.01	DÖNÜŞ KUTUSU	KINGPOST
B060.00.01	DÖNÜŞ KUTUSU	KINGPOST
B070.00.01	BOM KİLİDİ VE MEKANİZMASI	BOOM LOCK AND MECHANISM
B080.02.01	KAPUT- PANEL- PANJUR- YAN KAPAK MONTAJI	BONNET- PANEL- FRONT GRILL- SIDE COVER MOUNTING
B090.01.01	ÇAMURLUK, ÖN	FENDER, FRONT
B100.01.01	ÇAMURLUK, ARKA	FENDER, REAR
C	KABİN	OPERATOR CAB
C010.00.01	KABİN VE BAĞLANTI TAKOZLARI	CAB & CAB MOUNTING
C020.00.01	KAPI VE CAMLAR, SAĞ	DOOR AND WINDOW, RH
C020.00.01	KAPI VE CAMLAR, SAĞ	DOOR AND WINDOW, RH
C030.00.01	KAPI VE CAMLAR, SOL	DOOR AND WINDOW, LH
C030.00.01	KAPI VE CAMLAR, SOL	DOOR AND WINDOW, LH
C040.00.01	CAMLAR, ÖN - ARKA	WINDOWS, FRONT - REAR
C050.00.01	KABİN DONANIMI	CAB ACCESSORIES
C060.00.01	KABİN (LEVYE MEKANİZMALI)	CAB (LEVERS MECHANISM)
C060.02.01	KABİN (JOYSTİK MEKANİZMALI) (OP)	OPERATOR CAB (JOYSTICK MECHANISM) (OP)
C070.00.01	İÇ TRİMLER, ÖN	INTERIOR, FRONT
C080.00.01	İÇ TRİMLER, SOL	INTERIOR, LEFT
C090.00.01	İÇ TRİMLER, SAĞ	INTERIOR, RIGHT
C100.00.01	İÇ TAVAN VE YAN TRİMLER (KALORİFERLİ)	INTERIOR HEADLINER AND SIDE COVERS (HEATER)
C100.01.01	İÇ TAVAN VE YAN TRİMLER (KLİMALI) (OP)	INTERIOR HEADLINER AND SIDE COVERS (AIR CONDITIONER) (OP)
C110.00.01	JOYSTİK MEKANİZMASI, SAĞ (OP)	JOYSTICK MECHANISM, RH (OP)
C110.00.01	JOYSTİK MEKANİZMASI, SAĞ (OP)	JOYSTICK MECHANISM, RH (OP)

İÇİNDEKİLER / CONTENTS

C120.00.01	JOYSTICK MEKANİZMASI, SOL (OP)	JOYSTICK MECHANISM, LH (OP)
C120.00.01	JOYSTICK MEKANİZMASI, SOL (OP)	JOYSTICK MECHANISM, LH (OP)
C130.00.01	DİREKSİYON KOLONU KOMPLESİ	STEERING COLUMN ASSEMBLY
C140.00.01	OPERATOR KOLTUK MONTAJI	OPERATOR SEAT MOUNTING
C140.00.02	OPERATOR KOLTUK KOMPLESİ	OPERATOR SEAT ASSEMBLY
C140.01.01	OPERATOR KOLTUK MONTAJI (HAVA SÜSPANSİYONLU) (OP)	OPERATOR SEAT MOUNTING (WITH AIR SUSPENSION) (OP)
C140.01.02	OPERATOR KOLTUK KOMPLESİ (HAVA SÜSPANSİYONLU) (OP)	OPERATOR SEAT ASSEMBLY (WITH AIR SUSPENSION) (OP)

D	ATAÇMAN	ATTACHMENT
D010.00.01	YÜKLEYİCİ KOL MONTAJI (1)	LOADER ARM MOUNTING (1)
D010.00.01	YÜKLEYİCİ KOL MONTAJI (1)	LOADER ARM MOUNTING (1)
D010.00.01	YÜKLEYİCİ KOL MONTAJI (1)	LOADER ARM MOUNTING (1)
D010.00.02	YÜKLEYİCİ KOL MONTAJI (2)	LOADER ARM MOUNTING (2)
D010.00.03	YÜKLEYİCİ KEPÇE MONTAJI (3)	LOADER ARM MOUNTING (3)
D010.00.03	YÜKLEYİCİ KEPÇE MONTAJI (3)	LOADER ARM MOUNTING (3)
D020.01.01	AÇILIR KEPÇE (1,3 m3)	MULTIPORPUSE BUCKET, LOADER (1,3 m3)
D020.02.01	AÇILIR KEPÇE (ÇABUK SÖK TAKLI)	MULTIPURPOSE BUCKET, LOADER (WITH QUICK COUPLER)
D020.03.01	AÇILIR KEPÇE (1 m3)	MULTIPORPUSE BUCKET, LOADER (1 m3)
D020.04.01	AÇILIR KEPÇE (1,2 m3)	MULTIPORPUSE BUCKET, LOADER (1,2 m3)
D030.00.01	SABİT KEPÇE (1.2 m3)	SHOVEL (1.2 m3)
D030.01.01	SABİT KEPÇE (1,5 m3)	SHOVEL (1,5 m3)
D040.00.01	TESVİYE KÜREĞİ (716x2800)	LEVELLING, BLADE (716x2800)
D040.01.01	TESVİYE KÜREĞİ (900x2800)	LEVELLING, BLADE (900x2800)
D040.02.01	TESVİYE KÜREĞİ (ÇABUK SÖK TAKLI 716x2800)	LEVELLING BLADE (WITH QUICK COUPLER 716x2800)
D040.03.01	TESVİYE KÜREĞİ (ÇABUK SÖK TAKLI 900x2800)	LEVELLING BLADE (WITH QUICK COUPLER 900x2800)
D040.04.01	TESVİYE KÜREĞİ, ÇİFT EKSENLİ	LEVELLING BLADE, DOUBLE AXIS
D050.00.01	TOMRUK YÜKLEYİCİ, (2+1 TIRNAKLI)	LOG GRAPPLE, (2+1 CLAMP)
D050.01.01	TOMRUK YÜKLEYİCİ, (HAREKETLİ, Ø200mm)	LOG GRAPPLE, (WITH VERTICAL MOVEMENT Ø200mm)
D050.02.01	TOMRUK YÜKLEYİCİ, (HAREKETLİ, Ø500mm)	LOG GRAPPLE, (WITH VERTICAL MOVEMENT Ø500mm)
D060.00.01	FORKLİFT APARATI, AÇILIR KEPÇE	FORK LIFT, MULTIPURPOSE BUCKET
D060.00.01	FORKLİFT APARATI (AÇILIR KEPÇE)	FORK LIFT (MULTIPURPOSE BUCKET)
D060.01.01	FORKLİFT APARATLI (SABİT KEPÇE 1.2 m3)	FORKLIFT (SHOVEL 1.2 m3)
D060.02.01	FORKLİFT APARATLI (SABİT KEPÇE 1.5 m3)	FORKLIFT (SHOVEL 1.5 m3)
D070.00.01	ÇABUK SÖK TAK (YÜKLEYİCİ KEPÇE)	QUICK COUPLER (LOADER)
D080.00.01	BOM MONTAJI	BOOM MOUNTING
D090.00.01	ARM MONTAJI	ARM MOUNTING
D090.02.01	TELESKOPIK ARM MONTAJI (OP)	TELESCOPIC ARM MOUNTING (OP)
D090.02.01	TELESKOPIK ARM MONTAJI (OP)	TELESCOPIC ARM MONTAJI (OP)
D100.00.01	KEPÇE BAĞLANTISI	BUCKET LINKAGE
D110.00.01	KEPÇE, KAZICI (300 mm)	BUCKET, BACKHOE (300 mm)
D110.01.01	KEPÇE, KAZICI (350 mm)	BUCKET, BACKHOE (350 mm)
D110.02.01	KEPÇE, KAZICI (400 mm)	BUCKET, BACKHOE (400 mm)
D110.03.01	KEPÇE, KAZICI (500 mm)	BUCKET, BACKHOE (500 mm)
D110.04.01	KEPÇE, KAZICI (600 mm)	BUCKET, BACKHOE (600 mm)
D110.05.01	KEPÇE, KAZICI (700 mm)	BUCKET, BACKHOE (700 mm)
D110.06.01	KEPÇE, KAZICI (800 mm)	BUCKET, BACKHOE (800 mm)
D110.07.01	KEPÇE, KAZICI (900 mm)	BUCKET, BACKHOE (900 mm)

İÇİNDEKİLER / CONTENTS

D120.00.01	DÖNERLİ KANAL KEPÇESİ	TILTING BUCKET
D140.00.01	ÇABUK SÖK TAK, KAZICI	QUICK COUPLER, BACKHOE
D150.00.01	KIRICI MONTAJI (MONTABERT- SC 36)	BREAKER MOUNTING (MONTABERT- SC 36)
D150.00.02	KIRICI KOMPLESİ (MONTABERT- SC 36)	BREAKER ASSEMBLY (MONTABERT- SC 36)
D150.01.01	KIRICI MONTAJI (MONTABERT- SC 28)	BREAKER MOUNTING (MONTABERT- SC 28)
D150.01.02	KIRICI KOMPLESİ (MONTABERT- SC 28)	BREAKER ASSEMBLY (MONTABERT- SC 28)
D150.04.01	KIRICI MONTAJI (DEMO DMB50)	BREAKER MOUNTING (DEMO DMB50)
D150.04.02	KIRICI KOMPLESİ (DEMO DMB50)	BREAKER ASSEMBLY (DEMO DMB50)
D150.05.01	KIRICI MONTAJI (DEMO DMB70)	BREAKER MOUNTING (DEMO DMB70)
D150.05.02	KIRICI KOMPLESİ (DEMO DMB70)	BREAKER ASSEMBLY (DEMO DMB70)
D150.06.01	KIRICI MONTAJI (LIFTON LH 360)	BREAKER MOUNTING (LIFTON LH 360)
D150.06.02	KIRICI KOMPLESİ (LIFTON LH 360)	BREAKER ASSEMBLY (LIFTON LH 360)
D150.07.01	KIRICI MONTAJI (TOKU)	BREAKER MOUNTING (TOKU)
D150.07.02	KIRICI KOMPLESİ (TOKU TNB 6M)	BREAKER ASSEMBLY (TOKU TNB 6M)
D150.08.01	KIRICI MONTAJI (MONTABERT-140)	BREAKER MOUNTING (MONTABERT-140)
D150.08.02	KIRICI KOMPLESİ (MONTABERT-140)	BREAKER ASSEMBLY (MONTABERT-140)
D150.09.01	KIRICI MONTAJI (MONTABERT-95)	BREAKER MOUNTING (MONTABERT-95)
D150.09.02	KIRICI KOMPLESİ (MONTABERT- 95)	BREAKER ASSEMBLY (MONTABERT- 95)
D150.10.01	KIRICI MONTAJI (DEMO S700V)	BREAKER MOUNTING (DEMO S700V)
D150.10.02	KIRICI KOMPLESİ (DEMO S700V)	BREAKER ASSEMBLY (DEMO S700V)
D160.00.01	BURGU (Ø350x1000)	AUGER (Ø350x1000)
D160.01.01	BURGU (Ø500x1300)	AUGER (Ø500x1300)
D160.02.01	BURGU (Ø610x1600)	AUGER (Ø610x1600)
D170.00.01	RİPER	RIPPER
E	GÜÇ AKTARMA SİSTEMİ	POWER TRAIN SYSTEM
E010.02.01	GÜÇ AKTARMA MONTAJI	POWER TRAIN MOUNTING
E020.02.01	TEKER VE LASTİK GRUBU, ÖN	WHELL & TIRE GROUP, FRONT
E030.05.01	TEKER VE LASTİK GRUBU, ARKA	WHELL & TIRE GROUP, REAR
E040.01.01	ÖN AKS	FRONT AXLE
E040.01.02	ÖN AKS, AYNA MAHRUTİ	FRONT AXLE, BEVEL GEAR SET
E040.01.03	ÖN AKS, ŞAFT BAĞLANTISI	FRONT AXLE, INPUT FLANGE
E040.01.04	ÖN AKS, DİFERANSİYEL	FRONT AXLE, DIFFERENTIAL
E040.01.05	ÖN AKS, KOVAN PARÇALARI	FRONT AXLE, AXLE CASING PARTS
E040.01.06	ÖN AKS, POYRA	FRONT AXLE, HUB
E040.01.07	ÖN AKS, SON REDÜKSİYON	FRONT AXLE, FINAL REDUCTION
E040.01.08	ÖN AKS, DİREKSİYON SİLİNDİRİ	FRONT AXLE, STEERING CYLINDER
E050.01.01	ARKA AKS	REAR AKS
E050.01.02	ARKA AKS, AYNA MAHRUTİ DİŞLİ SETİ	REAR AXLE, BEVEL GEAR SET
E050.01.03	ARKA AKS, ŞAFT BAĞLANTISI	REAR AXLE, INPUT FLANGE
E050.01.04	ARKA AKS, DİFERANSİYEL	REAR AXLE, DIFFERENTIAL
E050.01.05	ARKA AKS, DİŞLİ ŞAFTI VE FREN	REAR AXLE, HALF-SHAFTS AND BRAKES
E050.01.06	ARKA AKS, AKS GÖVDESİ	REAR AXLE, AXLE HOUSING
E050.01.07	ARKA AKS, TEKERLEK GÖBEĞİ (POYRA)	REAR AXLE, WHEEL HUB
E050.01.08	ARKA AKS, PARK FRENİ	REAR AXLE, BRAKE CALIPER
E050.01.09	ARKA AKS, SON REDÜKSİYON	REAR AXLE, FINAL REDUCTION
E050.01.10	ARKA AKS, MAFSAL GÖVDESİ VE DİREKSİYON SİLİNDİRİ	REAR AXLE, SWIVEL HOUSING AND STEERING CYLINDER
E050.01.10	ARKA AKS, MAFSAL GÖVDESİ VE DİREKSİYON SİLİNDİRİ	REAR AXLE, SWIVEL HOUSING AND STEERING CYLINDER

İÇİNDEKİLER / CONTENTS

E050.01.10	ARKA AKS, MAFSAL GÖVDESİ VE DİREKSİYON SİLİNDİRİ	REAR AXLE, SWIVEL HOUSING AND STEERING CYLINDER
E050.01.11	ARKA AKS, DİFERANSİYEL KİLİDİ	REAR AXLE, DIFFERENTIAL LOCKING
E060.00.01	ŞANZİMAN	TRANSMISSION
E060.00.02	ŞANZİMAN, KONVERTÖR SACI	TRANSMISSION, FLEX PLATE
E060.00.03	ŞANZİMAN, KONVERTÖR	TRANSMISSION, CONVERTER
E060.00.04	ŞANZİMAN, TAHRİK GRUBU	TRANSMISSION, DRIVE
E060.00.05	ŞANZİMAN, TRANSMİSYON GÖVDESİ (1)	TRANSMISSION, HOUSING (1)
E060.00.05	ŞANZİMAN, TRANSMİSYON GÖVDESİ (1)	TRANSMISSION, HOUSING (1)
E060.00.06	ŞANZİMAN, TRANSMİSYON GÖVDESİ (2)	TRANSMISSION, HOUSING (2)
E060.00.07	ŞANZİMAN, KAVRAMA (KV)	TRANSMISSION, REVERSING GEAR (KV)
E060.00.08	ŞANZİMAN, KAVRAMA (KR)	TRANSMISSION, REVERSING GEAR (KR)
E060.00.09	ŞANZİMAN, KAVRAMA (VA)	TRANSMISSION, COUPLING (VA)
E060.00.10	ŞANZİMAN, KAVRAMA (K1)	TRANSMISSION, COUPLING (K1)
E060.00.10	ŞANZİMAN, KAVRAMA (K1)	TRANSMISSION, COUPLING (K1)
E060.00.11	ŞANZİMAN, KAVRAMA (K2)	TRANSMISSION, COUPLING (K2)
E060.00.12	ŞANZİMAN, KAVRAMA (K3)	TRANSMISSION, COUPLING (K3)
E060.00.13	ŞANZİMAN, KAVRAMA (K4)	TRANSMISSION, COUPLING (K4)
E060.00.14	ŞANZİMAN, ÇIKIŞ	TRANSMISSION, OUTPUT
E060.00.14	ŞANZİMAN, ÇIKIŞ	TRANSMISSION, OUTPUT
E060.00.15	ŞANZİMAN, KONTROL GRUBU	TRANSMISSION, CONTROL GROUP
E060.00.15	ŞANZİMAN, KONTROL GRUBU	TRANSMISSION, CONTROL GROUP
E060.00.16	ŞANZİMAN, KONTROL VALFİ (1)	TRANSMISSION, CONTROL VALVE (1)
E060.00.17	ŞANZİMAN, KONTROL VALFİ (2)	TRANSMISSION, CONTROL VALVE (2)
E060.00.17	ŞANZİMAN, KONTROL VALFİ (2)	TRANSMISSION, CONTROL VALVE (2)
E060.00.18	ŞANZİMAN, YAĞ POMPASI	TRANSMISSION, OIL PUMP
E060.00.19	ŞANZİMAN, HIZ SENSÖRÜ	TRANSMISSION, SPEED SENSOR
E060.00.20	ŞANZİMAN, FİLTRE	TRANSMISSION, FILTER
E060.00.21	ŞANZİMAN, HARARET MÜŞÜRÜ	TRANSMISSION, TEMP. SENSOR
E070.01.01	PARK FRENİ	PARKING BRAKE

F HİDROLİK SİSTEM

HYDRAULIC SYSTEM

F010.00.01	HİDROLİK TANK MONTAJI (VERSİYON 1)	HYDRAULIC TANK MOUNTING (VERSION 1)
F010.00.01	HİDROLİK TANK MONTAJI (VERSİYON 1)	HYDRAULIC TANK MOUNTING (VERSION 1)
F010.00.01	HİDROLİK TANK MONTAJI (VERSİYON 1)	HYDRAULIC TANK MOUNTING (VERSION 1)
F010.00.01	HİDROLİK TANK MONTAJI (VERSİYON 1)	HYDRAULIC TANK MOUNTING (VERSION 1)
F020.06.01	YÜKLEYİCİ KUMANDA MEKANİZMASI (AÇILIR KEPÇE&LV KONTROLLU)(TİP B)(OP)	LOADER CONTROL & MECHANISM (MULTIPURPOSE BUCKET&LEVERS)(TYPE B)(OP)
F020.06.01	YÜKLEYİCİ KUMANDA MEKANİZMASI (AÇILIR KEPÇE & LV KONTROLLU)(TİP B)	LOADER CONTROL MECHANISM (MULTIPURPOSE BUCKET & LEVERS)(TYPE B)
F020.08.01	YÜKLEYİCİ KUMANDA MEKANİZMASI (SABİT KEPÇE & LV KONTR.)(TİP B)(OP)	LOADER CONTROL & MECHANISM (SHOVEL & LEVERS)(TYPE B)(OP)
F020.08.01	YÜKLEYİCİ KUMANDA MEKANİZMASI (SABİT KEPÇE & LEVYELİ) (TİP B)	BACKHOE CONTROL MECHANISM (SHOVEL & LEVERS) (TYPE B)
F020.10.01	YÜKLEYİCİ KUMANDA MEKANİZMASI (AÇILIR KEPÇE & JY) (TİP B)	LOADER CONTROL MECHANISM (MULTIPURPOSE BUCKET & JOYSTICK) (TYPE B)
F020.11.01	YÜKLEYİCİ KUMANDA MEKANİZMASI (SABİT KEPÇE & JY)(TİP B)(OP)	BACKHOE CONTROL MECHANISM (SHOVEL & JOYSTICK) (TYPE B) (OP)
F020.11.01	YÜKLEYİCİ KUMANDA MEKANİZMASI (SABİT KEPÇE & JY & TİP B)	BACKHOE CONTROL MECHANISM (SHOVEL & JOYSTICK & TYPE B)
F030.04.01	KAZICI KUMANDA MEKANİZMASI (TİP B)	BACKHOE CONTROL MECHANISM (TYPE B)
F030.05.01	KAZICI KUMANDA MEKANİZMASI (TİP B)	BACKHOE CONTROL MECHANISM (TYPE B)

İÇİNDEKİLER / CONTENTS

F040.02.01	PEDAL MONTAJI, İLAVE ATAŞMAN (TİP B+TB+JY) (OP)	ADDITIONAL ATTACHMENT PEDAL MOUNTING (TYPE B+TB+JY) (OP)
F040.03.01	PEDAL MONTAJI, İLAVE ATAŞMAN (TİP B+TB+LV) (OP)	ADDITIONAL ATTACHMENT PEDAL MOUNTING (TYPE B+TB+LV) (OP)
F040.04.01	PEDAL MONTAJI, İLAVE ATAŞMAN (TİP B+NB+LV)	PEDAL MOUNTING, ADDITIONAL ATTACHMENT (TYPE B+NB+LV)
F050.22.01	HİDROLİK TESİSAT, ANA DAĞITIM (DİŞLİ POMPA & ZF & TİP B)	HYDRAULIC PIPING, MAIN (GEAR PUMP & ZF & TYPE B)
F050.22.01	HİDROLİK TESİSAT, ANA DAĞITIM (DİŞLİ POMPA & ZF & TİP B)	HYDRAULIC PIPING, MAIN (GEAR PUMP & ZF & TYPE B)
F050.25.01	HİDROLİK TESİSAT, ANA DAĞITIM (PİSTONLU POMPA & ZF & TİP B)	HYDRAULIC PIPING, MAIN (PISTON PUMP & ZF & TYPE B)
F050.25.01	HİDROLİK TESİSAT, ANA DAĞITIM (PİSTONLU POMPA & ZF & TİP B)	HYDRAULIC PIPING, MAIN (PISTON PUMP & ZF & TYPE B)
F050.25.01	HİDROLİK TESİSAT, ANA DAĞITIM (PİSTONLU POMPA & ZF & TİP B)	HYDRAULIC PIPING, MAIN (PISTON PUMP & ZF & TYPE B)
F050.25.01	HİDROLİK TESİSAT, ANA DAĞITIM (PİSTONLU POMPA & ZF & TİP B)	HYDRAULIC PIPING, MAIN (PISTON PUMP & ZF & TYPE B)
F060.02.01	PİLOT HİDROLİK TESİSATI (TİP B) (OP)	HYDRAULIC PIPING, PILOT (TYPE B) (OP)
F060.02.01	PİLOT HİDROLİK TESİSATI (TİP B) (OP)	HYDRAULIC PIPING, PILOT (TYPE B) (OP)
F060.02.01	PİLOT HİDROLİK TESİSATI (TİP B) (OP)	HYDRAULIC PIPING, PILOT (TYPE B) (OP)
F065.01.01	KUMANDA DEĞİŞTİRİCİ	PATTERN SHIFTER
F070.04.01	YÜKLEYİCİ HİDROLİK TESİSATI, SABİT KEPÇELİ (TİP B) (OP)	LOADER HYDRAULIC PIPING, SHOVEL (TYPE B) (OP)
F070.04.01	YÜKLEYİCİ HİDROLİK TESİSATI, SABİT KEPÇELİ (TİP B) (OP)	LOADER HYDRAULIC PIPING, SHOVEL (TYPE B) (OP)
F070.06.01	YÜKLEYİCİ HİDROLİK TESİSAT & AÇILIR KEPÇELİ (TİP B)	LOADER HYDRAULIC PIPING & MULTIPURPOSE BUCKET (TYPE B)
F070.06.01	YÜKLEYİCİ HİDROLİK TESİSAT & AÇILIR KEPÇELİ (TİP B)	LOADER HYDRAULIC PIPING & MULTIPURPOSE BUCKET (TYPE B)
F070.08.01	YÜKLEYİCİ HİDROLİK TESİSATI, KALDIRICI SİLİNDİR (EMNİYET VALFLİ) (OP)	LOADER HYDRAULIC PIPING, LIFT CYLINDER (WITH PROTECTION VALVE) (OP)
F070.09.01	YÜKLEYİCİ HİDROLİK TESİSATI, KEPÇE SİLİNDİRİ (EMNİYET VALFİ) (OP)	LOADER HYDRAULIC PIPING, SHOVEL CYLINDER (WITH PROTECTION VALVE) (OP)
F070.10.01	YÜKLEYİCİ HİDROLİK TESİSATI, MSS (TİP A & TİP B)	LOADER HYDRAULIC PIPING, MSS (TYPE A & TYPE B)
F070.10.01	YÜKLEYİCİ HİDROLİK TESİSATI, MSS (TİP A & TİP B)	LOADER HYDRAULIC PIPING, MSS (TYPE A & TYPE B)
F070.10.01	YÜKLEYİCİ HİDROLİK TESİSATI, MSS (TİP A & TİP B)	LOADER HYDRAULIC PIPING, MSS (TYPE A & TYPE B)
F070.13.01	YÜKLEYİCİ HİDROLİK TESİSATI, SABİT KEPÇE (TİP B & PİSTONLU POMPA)	LOADER HYD. PIPING, SHOVEL (TYPE B & PISTON PUMP)
F070.13.01	YÜKLEYİCİ HİDROLİK TESİSATI, SABİT KEPÇE (TİP B & PİSTONLU POMPA)	LOADER HYD. PIPING, SHOVEL (TYPE B & PISTON PUMP)
F070.14.01	YÜKLEYİCİ HİDROLİK TESİSAT & AÇILIR KEPÇELİ (TİP B & PİSTONLU POMPA)	LOADER HYDRAULIC PIPING & MULTIPURPOSE BUCKET (TYPE B & PISTON PUMP)
F070.14.01	YÜKLEYİCİ HİDROLİK TESİSAT & AÇILIR KEPÇELİ (TİP B & PİSTONLU POMPA)	LOADER HYDRAULIC PIPING & MULTIPURPOSE BUCKET (TYPE B & PISTON PUMP)
F080.02.01	KAZICI HİDROLİK TESİSATI, KEPÇE SİLİNDİRİ (KAZ AYAK & TİP B) (OP)	BACKHOE HYD. PIPING, BUCKET CYLINDER (WING TYPE STABILIZER & TYPE B) (OP)
F140.04.01	KAZICI HİDROLİK TESİSATI, KEPÇE SİLİNDİRİ (TELESKOPİK BOM) (TİP B) (OP)	BACKHOE HYDRAULIC PIPING, BUCKET CYLINDER (TELESCOPIC BOOM) (TYPE B) (OP)
F090.01.01	HİDROLİK TESİSAT, AYAK SİLİNDİRİ (KİLİT VALFLİ) (OP)	HYD. PIPING, STABILIZER CYLINDER (WITH SAFETY LOCKING VALVE) (OP)
F090.02.01	HİDROLİK TESİSATI, AYAK SİLİNDİRİ (KAZ AYAK) (OP)	HYDRAULIC PIPING, RAM, STABILIZER (WING TYPE) (OP)
F090.03.01	HİDROLİK TESİSATI, AYAK SİLİNDİRİ (KAZAYAK & KİLİT VALFLİ) (OP)	HYD. PIPING, STABILIZER CYLINDER (WING TYPE & WITH SAFETY LOCKING VALVE) (OP)
F090.04.01	HİDROLİK TESİSAT, AYAK SİLİNDİRİ (TİP B)	HYDRAULIC PIPING, STABILIZER CYLINDER (TYPE B)

İÇİNDEKİLER / CONTENTS

F100.01.01	HİDROLİK TESİSATI, SIKMA PİSTONU (TİP B) (OP)	HYDRAULIC PIPING, HYDROCLAMP (TYPE B) (OP)
F110.01.01	HİDROLİK TESİSAT, DÖNÜŞ SİLİNDİRİ (KAZ AYAK) (OP)	HYD. PIPING, SWING CYLINDER (WING TYPE STABILIZER) (OP)
F110.02.01	HİDROLİK TESİSAT, DÖNÜŞ SİLİNDİRİ (TİP B)	HYDRAULIC PIPING, SWING CYLINDER (TYPE B)
F120.01.01	KAZICI HİDROLİK TESİSATI, BOM SİLİNDİRİ (EMNİYET VALFLİ) (OP)	BACKHOE HYD. PIPING, BOOM CYLINDER (WITH SAFETY LOCK VALVE) (OP)
F120.02.01	KAZICI HİDROLİK TESİSATI, BOM SİLİNDİRİ (KAZ AYAK) (OP)	BACKHOE HYDRAULIC PIPING, BOOM CYLINDER (WING TYPE STABILIZER) (OP)
F120.03.01	KAZICI HİDROLİK TESİSATI, BOM SİLİNDİRİ (EMNİYET VALFLİ, KAZAYAK) (OP)	BACKHOE HYD.PIPING,BOOM CYLINDER(WITH SAFETY LOCK VALVE,WING TYPE STABILIZER)
F120.06.01	KAZICI HİDROLİK TESİSATI, BOM SİLİNDİRİ (TİP B)	BACKHOE HYDRAULIC PIPING, BOOM CYLINDER (TYPE B)
F130.01.01	KAZICI HİDROLİK TESİSATI, ARM SİLİNDİRİ (EMNİYET VALFLİ) (OP)	BACKHOE HYD. PIPING, ARM CYLINDER (WITH SAFETY LOCK VALVE) (OP)
F130.02.01	KAZICI HİDROLİK TESİSATI, ARM SİLİNDİRİ (KAZ AYAK) (OP)	BACKHOE HYDRAULIC PIPING, ARM CYLINDER (WING TYPE STABILIZER) (OP)
F140.02.01	KAZICI HİDROLİK TESİSATI, KEPÇE SİLİNDİRİ (TELESKOPIK BOM) (TİP B) (OP)	BACKHOE HYDRAULIC PIPING, BUCKET CYLINDER (TELESCOPIC BOOM) (TYPE B) (OP)
F080.02.01	KAZICI HİDROLİK TESİSATI, KEPÇE SİLİNDİRİ (KAZ AYAK & TİP B) (OP)	BACKHOE HYD. PIPING, BUCKET CYLINDER (WING TYPE STABILIZER & TYPE B) (OP)
F140.04.01	KAZICI HİDROLİK TESİSATI, KEPÇE SİLİNDİRİ (TELESKOPIK BOM) (TİP B) (OP)	BACKHOE HYDRAULIC PIPING, BUCKET CYLINDER (TELESCOPIC BOOM) (TYPE B) (OP)
F140.06.01	KAZICI HİDROLİK TESİSATI, KEPÇE SİLİNDİRİ (TİP B) (OP)	BACKHOE HYD. PIPING, BUCKET CYLINDER (YPE B) (OP)
F150.03.01	TEK ETKİLİ HİDROLİK TESİSATI (KIRICI&STD.ARM&LV+JY)(TİP B)(OP)	SINGLE ACTING HYD. PIPING (BREAKER & STD.ARM & LEVERS+JOYSTICK) (TYPE B) (OP)
F150.03.01	TEK ETKİLİ HİDROLİK TESİSATI (KIRICI&STD.ARM&LV+JY)(TİP B)(OP)	SINGLE ACTING HYD. PIPING (BREAKER & STD.ARM & LEVERS+JOYSTICK) (TYPE B) (OP)
F150.03.01	TEK ETKİLİ HİDROLİK TESİSATI (KIRICI & STD. ARM & LEVYE+JOYİSTİK) (TİP B) (OP)	SINGLE ACTING HYD. PIPING (BREAKER & STD.ARM & LEVERS+JOYSTICK) (TYPE B) (OP)
F150.04.01	TEK ETKİLİ HİDROLİK TESİSATI (KIRICI&STD.ARM&LV&KAZAYAK)(TİP B)(OP)	SINGLE ACTING HYD.PIPING(BREAKER&STD.ARM&WING TYPE STABILIZER)(TYPE B)
F150.04.01	TEK ETKİLİ HİDROLİK TESİSATI (KIRICI&STD.ARM&LV&KAZAYAK)(TİP B)(OP)	SINGLE ACTING HYD.PIPING(BREAKER&STD.ARM&WING TYPE STABILIZER)(TYPE B)
F150.08.01	TEK ETKİLİ HİDROLİK TESİSATI (KIRICI & TELESKOPIK ARM & LV+JY)(TİP B)(OP)	SINGLE ACTING HYD. PIPING(BREAKER & TELESCOPIC & LEVERS+JOYSTICK) (TYPE B) (OP)
F150.08.01	TEK ETKİLİ HİDROLİK TESİSATI (KIRICI & TELESKOPIK ARM & LV+JY)(TİP B)(OP)	SINGLE ACTING HYD. PIPING(BREAKER & TELESCOPIC & LEVERS+JOYSTICK) (TYPE B) (OP)
F150.08.01	TEK ETKİLİ HİDROLİK TESİSATI (KIRICI & TELESKOPIK ARM & LV+JY)(TİP B)(OP)	SINGLE ACTING HYD. PIPING(BREAKER & TELESCOPIC & LEVERS+JOYSTICK) (TYPE B) (OP)
F150.08.01	TEK ETKİLİ HİDROLİK TESİSATI (KIRICI & TELESKOPIK ARM & LV+JY)(TİP B)(OP)	SINGLE ACTING HYD. PIPING(BREAKER & TELESCOPIC & LEVERS+JOYSTICK) (TYPE B) (OP)
F160.04.01	ÇİFT ETKİLİ HDR. TESİSATI, BURGU/DÖNER KEPÇE&KIRICI(STD.ARM&LEVYE&TİP B)	DOUBLE ACTING HYD. PIPING, AUGER/TILTING BUCKE&BREAKER(STD.ARM&LEVERS&TYPE B)
F160.05.01	ÇİFT ETKİLİ HİDR.TESİSATI(BURGU/DÖNER KEPÇE&KIRICI&TELESKOPIK ARM&LV&TİP B)	DOUBLE ACTING HYD.PIPING(AUGER/TILTING BUCKET&BREAKER&TEL.ARM&LEVERS&TYPE B)
F160.07.01	ÇİFT ETKİLİ HİDR.TESİSATI,BURGU/DÖNER KEPÇE&KIRICI(TEL.ARM&JOYİSTİK&TİP B)	DOUBLE ACTING HYD.PIPING,AUGER/TILTING BUCKET&BREAKER(TELESCOPIC ARM&JY&TYPE B)
F180.00.01	HİDROLİK, EL KIRICISI (OP)	HYDRAULIC, HAND BREAKER (OP)
F190.01.01	HİDROLİK TESİSAT, DİFERANSİYEL KİLİDİ (CR)	HYDRAULIC PIPING, DIFFERENTIAL LOCK (CR)
F200.00.01	HİDROLİK, BOM KİLİDİ (MAFSALLI BOM) (OP)	HYDRAULIC, BOOM LOCKING (KNUCKLE BOOM) (OP)
F210.00.01	TABLA KAYDIRMA HİDROLİĞİ (OP)	POWER SLIDER HYDRAULIC (OP)
G	HİDROLİK KOMPONENTLER	HYDRAULIC COMPONENTS
G010.00.01	DİŞLİ POMPA	GEAR PUMP
G010.00.01	DİŞLİ POMPA	GEAR PUMP

İÇİNDEKİLER / CONTENTS

G020.00.01	PİSTONLU POMPA	PISTON PUMP
G030.00.01	YÜKLEYİCİ KUMANDA VALFİ (TİP B-LS)	LOADER CONTROL VALVE, MECHANIC (TİP B-LS)
G030.00.02	YÜKLEYİCİ KUMANDA VALFİ- GİRİŞ BLOĞU (TİP B)	LOADER CONTROL VALVE-INLET BLOCK (TYPE B)
G030.00.03	YÜKLEYİCİ KUMANDA VALFİ- KALDIRICI SİLİNDİR, KONTROL BLOĞU (TİP B)	LOADER CONTROL VALVE- LIFT CYLINDER CONTROL BLOCK (TYPE B)
G030.00.04	YÜKLEYİCİ KUMANDA VALFİ- ARM SİLİNDİR KONTROL, BLOĞU (TİP B)	LOADER CONTROL VALVE- ARM CYLINDER CONTROL BLOCK (TYPE B)
G030.00.05	YÜKLEYİCİ KUMANDA VALFİ- AÇILIR KEPÇE SİLİNDİRİ, KONTROL BLOĞU(TİP B)	LOADER CONTROL VALVE- AÇILIR KEPÇE SİLİNDİRİ, KONTROL BLOĞU (TYPE B)
G030.00.06	YÜKLEYİCİ KUMANDA VALFİ- ÇIKIŞ BLOĞU (TİP B)	LOADER CONTROL VALVE- OUTLET BLOCK (TYPE B)
G030.01.01	YÜKLEYİCİ KUMANDA VALFİ (TİP B-LS)	LOADER CONTROL VALVE, MECHANIC (TYPE B-LS)
G030.01.02	YÜKLEYİCİ KUMANDA VALFİ- GİRİŞ BLOĞU (TİP B)	LOADER CONTROL VALVE-INLET BLOCK (TYPE B)
G030.01.03	YÜKLEYİCİ KUMANDA VALFİ- KALDIRICI SİLİNDİR, KONTROL BLOĞU (TİP B)	LOADER CONTROL VALVE- LIFT CYLINDER CONTROL BLOCK (TYPE B)
G030.01.04	YÜKLEYİCİ KUMANDA VALFİ- ARM SİLİNDİR KONTROL, BLOĞU (TİP B)	LOADER CONTROL VALVE- ARM CYLINDER CONTROL BLOCK (TYPE B)
G030.01.05	YÜKLEYİCİ KUMANDA VALFİ- AÇILIR KEPÇE SİLİNDİRİ, KONTROL BLOĞU(TİP B)	LOADER CONTROL VALVE- CLAMSHOVEL RAM CONTROL BLOCK (TYPE B)
G030.01.06	YÜKLEYİCİ KUMANDA VALFİ- ÇIKIŞ BLOĞU (TİP B)	LOADER CONTROL VALVE- OUTLET BLOCK (TYPE B)
G030.02.01	YÜKLEYİCİ KUMANDA VALFİ (TİP B - PB)	LOADER CONTROL VALVE, MECHANIC (TYPE B - PB)
G030.02.02	YÜKLEYİCİ KUMANDA VALFİ- ARM SİLİNDİR KONTROL, BLOĞU (TİP B)	LOADER CONTROL VALVE- ARM CYLINDER CONTROL BLOCK (TYPE B)
G030.02.03	YÜKLEYİCİ KUMANDA VALFİ- ÇIKIŞ BLOĞU (TİP B)	LOADER CONTROL VALVE- OUTLET BLOCK (TYPE B)
G030.02.04	YÜKLEYİCİ KUMANDA VALFİ- GİRİŞ BLOĞU (TİP B-PB)	LOADER CONTROL VALVE-INLET BLOCK (TYPE B-PB)
G030.02.05	YÜKLEYİCİ KUMANDA VALFİ- KALDIRICI SİLİNDİR, KONTROL BLOĞU (TİP B)	LOADER CONTROL VALVE- LIFT CYLINDER CONTROL BLOCK (TYPE B)
G030.02.06	YÜKLEYİCİ KUMANDA VALFİ-AÇILIR KEPÇE SİLİNDİRİ,KONTROL BLOĞU(TİP B)	LOADER CONTROL VALVE- CLAMSHOVEL RAM CONTROL BLOCK (TYPE B)
G030.03.01	YÜKLEYİCİ KUMANDA VALFİ (TİP B-PB)	LOADER CONTROL VALVE, MECHANIC (TİP B-PB)
G030.03.02	YÜKLEYİCİ KUMANDA VALFİ (TİP B-PB)	LOADER CONTROL VALVE, MECHANIC (TİP B-PB)
G030.03.03	YÜKLEYİCİ KUMANDA VALFİ- ARM SİLİNDİR KONTROL, BLOĞU (TİP B)	LOADER CONTROL VALVE- ARM CYLINDER CONTROL BLOCK (TYPE B)
G030.03.04	YÜKLEYİCİ KUMANDA VALFİ- AÇILIR KEPÇE SİLİNDİRİ, KONTROL BLOĞU(TİP B)	LOADER CONTROL VALVE- CLAMSHOVEL RAM CONTROL BLOCK (TYPE B)
G030.03.05	YÜKLEYİCİ KUMANDA VALFİ- ÇIKIŞ BLOĞU (TİP B)	LOADER CONTROL VALVE- OUTLET BLOCK (TYPE B)
G030.03.06	YÜKLEYİCİ KUMANDA VALFİ- GİRİŞ BLOĞU (TİP B-PB)	LOADER CONTROL VALVE-INLET BLOCK (TYPE B-PB)
G040.02.01	KAZICI KUMANDA VALFİ, JOYSTICK (PİSTONLU POMPA & TİP B, FS)	BACKHOE CONTROL VALVE, JOYSTICK (PISTON PUMP & TYPE B, FS)
G040.02.02	KAZICI KUMANDA VALFİ- GİRİŞ BLOĞU (TİP B)	BACKHOE CONTROL VALVE-INLET BLOCK (TYPE B)
G040.02.03	KAZICI KUMANDA VALFİ- ÇIKIŞ BLOĞU (TİP B)	BACKHOE CONTROL VALVE -OUTLET BLOCK (TYPE B)
G040.02.04	KAZICI KUMANDA VALFİ ARM KONTROL BLOĞU, JOYSTICK (TİP B) (OP)	BACKHOE CONTROL VALVE ARM CONTROL BLOCKS, JOYSTICK (TYPE B) (OP)
G040.02.05	KAZICI KUMANDA VALFİ- DÖNÜŞ SİLİNDİRİ KONTROL BLOĞU, JOYSTICK (TİP B) (OP)	BACKHOE CONTROL VALVE-SLEW SWING RAM CONTROL BLOCK, JOYSTICK (TYPE B)(OP)
G040.02.06	KAZICI KUMANDA VALFİ- AYAK SİLİNDİRİ KONTROL BLOĞU, JOYSTICK (TİP B) (OP)	BACKHOE CONTROL VALVE-STABILIZER RAM CONTROL BLOCK, JOYSTICK (TYPE B) (OP)
G040.02.07	KAZICI KUMANDA VALFİ- KIVIRICI SİLİNDİR KONTROL BLOĞU, JOYSTICK (TİP B) (OP)	BACKHOE CONTROL VALVE BUCKET RAM CONTROL BLOCK, JOYSTICK (TYPE B) (OP)
G040.02.08	KAZICI KUMANDA VALFİ BOM KONTROL BLOĞU, JOYSTICK (TİP B) (OP)	BACKHOE CONTROL VALVE BOOM CONTROL BLOCKS, JOYSTICK (TYPE B) (OP)

İÇİNDEKİLER / CONTENTS

G040.02.09	KAZICI KUMANDA VALFİ TELESKOPIK KONTROL BLOĞU, JOYSTICK (TİP B) (OP)	BACKHOE CONTROL VALVE TELESCOPIC CONTROL BLOCKS, JOYSTICK (TYPE B) (OP)
G040.03.01	KAZICI KUMANDA VALFİ, LEVYELİ (DİŞLİ POMPA & TİP B)	BACKHOE CONTROL VALVE, LEVERS (GEAR PUMP & TYPE B)
G040.03.02	TELESKOPIK SİLİNDİR KONTROL BLOĞU, LEVYELİ (DİŞLİ POMPA & TİP B)	TELESCOPIC RAM CONTROL BLOCK, LEVERS (GEAR PUMP & TYPE B)
G040.03.03	AYAK SİLİNDİRİ KONTROL BLOĞU, LEVYELİ (DİŞLİ POMPA & TİP B)	STABILIZER RAM CONTROL BLOCK, LEVERS (GEAR PUMP & TYPE B)
G040.03.04	KAZICI KUMANDA VALFİ ÇIKIŞ BLOĞU, LEVYELİ (DİŞLİ POMPA & TİP B)	BACKHOE CONTROL VALVE OUTLET BLOCK, LEVERS (GEAR PUMP & TYPE B)
G040.03.05	KAZICI KUMANDA VALFİ GİRİŞ BLOĞU, LEVYELİ (DİŞLİ POMPA & TİP B)	BACKHOE CONTROL VALVE INLET BLOCK, LEVERS (GEAR PUMP & TYPE B)
G040.03.06	DEVİRİCİ SİLİNDİR KONTROL BLOĞU, LEVYELİ (DİŞLİ POMPA & TİP B)	DIPPER RAM CONTROL BLOCK, LEVERS (GEAR PUMP & TYPE B)
G040.03.07	KALDIRICI SİLİNDİR KONTROL BLOĞU, LEVYELİ (DİŞLİ POMPA & TİP B)	LIFT RAM CONTROL BLOCK, LEVERS (GEAR PUMP & TYPE B)
G040.03.08	KIVIRICI SİLİNDİR KONTROL BLOĞU, LEVYELİ (DİŞLİ POMPA & TİP B)	BUCKET RAM CONTROL BLOCK, LEVERS (GEAR PUMP & TYPE B)
G040.03.09	DÖNÜŞ SİLİNDİRİ KONTROL BLOĞU, LEVYELİ (DİŞLİ POMPA & TİP B)	SLEW SWING RAM CONTROL BLOCK, LEVERS (GEAR PUMP & TYPE B)
G040.06.01	KAZICI KUMANDA VALFİ, JOYSTICK (DİŞLİ POMPA & TİP B, FS) (OP)	BACKHOE CONTROL VALVE, JOYSTICK (GEAR PUMP & TYPE B, FS) (OP)
G040.06.02	KAZICI KUMANDA VALFİ- GİRİŞ BLOĞU (TİP B)	BACKHOE CONTROL VALVE-INLET BLOCK (TYPE B)
G040.06.03	KAZICI KUMANDA VALFİ- ÇIKIŞ BLOĞU (TİP B)	BACKHOE CONTROL VALVE -OUTLET BLOCK (TYPE B)
G040.06.04	KAZICI KUMANDA VALFİ-ARM KONTROL BLOĞU, JOYSTICK (TİP B) (OP)	BACKHOE CONTROL VALVE-ARM CONTROL BLOCKS, JOYSTICK (TYPE B)(OP)
G040.06.05	KAZICI KUMANDA VALFİ- DÖNÜŞ SİLİNDİRİ KONTROL BLOĞU, JY(TİP B) (OP)	BACKHOE CONTROL VALVE-SLEW SWING RAM CONTROL BLOCK, JOYSTICK (TYPE B)(OP)
G040.06.06	KAZICI KUMANDA VALFİ- AYAK SİLİNDİRİ KONTROL BLOĞU, JOYSTICK (TİP B) (OP)	BACKHOE CONTROL VALVE-STABILIZER RAM CONTROL BLOCK, JOYSTICK (TYPE B) (OP)
G040.06.07	KAZICI KUMANDA VALFİ- KIVIRICI SİLİNDİR KONTROL BLOĞU, JOYSTICK (TİP B) (OP)	BACKHOE CONTROL VALVE BUCKET RAM CONTROL BLOCK, JOYSTICK (TYPE B) (OP)
G040.06.08	KAZICI KUMANDA VALFİ BOM KONTROL BLOĞU, JOYSTICK (TİP B) (OP)	BACKHOE CONTROL VALVE BOOM CONTROL BLOCKS, JOYSTICK (TYPE B) (OP)
G040.06.09	KAZICI KUMANDA VALFİ TELESKOPIK KONTROL BLOĞU, JOYSTICK (TİP B) (OP)	BACKHOE CONTROL VALVE TELESCOPIC CONTROL BLOCKS, JOYSTICK (TYPE B) (OP)
G040.07.01	KAZICI KUMANDA VALFİ, LEVYELİ (PİSTONLU POMPA & TİP B)	BACKHOE CONTROL VALVE, LEVERS (PISTON PUMP & TYPE B)
G040.07.02	TELESKOPIK SİLİNDİR KONTROL BLOĞU, LEVYELİ (PİSTONLU POMPA & TİP B)	TELESCOPIC RAM CONTROL BLOCK, LEVERS (PISTON PUMP & TYPE B)
G040.07.03	AYAK SİLİNDİRİ KONTROL BLOĞU, LEVYELİ (PİSTONLU POMPA & TİP B)	STABILIZER RAM CONTROL BLOCK, LEVERS (PISTON PUMP & TYPE B)
G040.07.04	KAZICI KUMANDA VALFİ ÇIKIŞ BLOĞU, LEVYELİ (PİSTONLU POMPA & TİP B)	BACKHOE CONTROL VALVE OUTLET BLOCK, LEVERS (PISTON PUMP & TYPE B)
G040.07.05	KAZICI KUMANDA VALFİ GİRİŞ BLOĞU, LEVYELİ (PİSTONLU POMPA & TİP B)	BACKHOE CONTROL VALVE INLET BLOCK, LEVERS (PISTON PUMP & TYPE B)
G040.07.06	DEVİRİCİ SİLİNDİR KONTROL BLOĞU, LEVYELİ (PİSTONLU POMPA & TİP B)	DIPPER RAM CONTROL BLOCK, LEVERS (PISTON PUMP & TYPE B)
G040.07.07	KALDIRICI SİLİNDİR KONTROL BLOĞU, LEVYELİ (PİSTONLU POMPA & TİP B)	LIFT RAM CONTROL BLOCK, LEVERS (PISTON PUMP & TYPE B)
G040.07.08	KIVIRICI SİLİNDİR KONTROL BLOĞU, LEVYELİ (PİSTONLU POMPA & TİP B)	BUCKET RAM CONTROL BLOCK, LEVERS (PISTON PUMP & TYPE B)
G040.07.09	DÖNÜŞ SİLİNDİRİ KONTROL BLOĞU, LEVYELİ (PİSTONLU POMPA & TİP B)	SLEW SWING RAM CONTROL BLOCK, LEVERS (PISTON PUMP & TYPE B)
G050.00.01	İLAVE ATAŞMAN KUMANDA VALFİ	ADDITIONAL ATTACHMENT CONTROL VALVE
G050.00.01	İLAVE ATAŞMAN KUMANDA VALFİ	ADDITIONAL ATTACHMENT CONTROL VALVE
G060.00.01	JOYSTICK KUMANDA, SAĞ (OP)	REMOTE CONTROL VALVE, RH (OP)
G070.00.01	JOYSTICK KUMANDA, SOL (OP)	REMOTE CONTROL VALVE, LEFT (OP)

İÇİNDEKİLER / CONTENTS

G080.00.01	KALDIRICI SİLİNDİR, YÜKLEYİCİ, SAĞ	LIFT CYLINDER, LOADER, RH
G080.00.01	KALDIRICI SİLİNDİR, YÜKLEYİCİ	LIFT CYLINDER, LOADER
G090.00.01	KALDIRICI SİLİNDİR, YÜKLEYİCİ, SOL	LIFT CYLINDER, LOADER, LH
G100.00.01	KEPÇE SİLİNDİRİ, YÜKLEYİCİ, SAĞ	BUCKET CYLINDER, LOADER, RH
G110.00.01	KEPÇE SİLİNDİRİ, YÜKLEYİCİ, SOL	BUCKET CYLINDER, LOADER, LH
G120.00.01	AÇILIR KEPÇE SİLİNDİRİ	MULTIPURPOSE BUCKET CYLINDER
G120.00.01	AÇILIR KEPÇE SİLİNDİRİ	MULTIPURPOSE BUCKET CYLINDER
G130.00.01	AYAK SİLİNDİRİ, SAĞ	STABILIZER CYLINDER, RH
G130.00.01	AYAK SİLİNDİRİ, SAĞ	STABILIZER CYLINDER, RH
G140.00.01	AYAK SİLİNDİRİ, SOL	STABILIZER CYLINDER, LH
G140.00.01	AYAK SİLİNDİRİ, SOL	STABILIZER CYLINDER, LH
G150.00.01	DÖNÜŞ SİLİNDİRİ	SWING CYLINDER
G160.00.01	BOM SİLİNDİRİ, KAZICI	BOOM CYLINDER, BACKHOE
G160.00.01	BOM SİLİNDİRİ, KAZICI	BOOM CYLINDER, BACKHOE
G170.00.01	ARM SİLİNDİRİ, KAZICI	ARM CYLINDER, BACKHOE
G170.00.01	ARM SİLİNDİRİ, KAZICI	ARM CYLINDER, BACKHOE
G180.00.01	KEPÇE SİLİNDİRİ, KAZICI	BUCKET CYLINDER, BACKHOE
G180.01.01	KEPÇE SİLİNDİRİ, KAZICI, TELESKOPIK (OP)	BUCKET CYLINDER, BACKHOE, TELESCOPIC (OP)
G190.00.01	TELESKOPIK SİLİNDİR, KAZICI (OP)	TELESCOPIC CYLINDER, BACKHOE (OP)
G200.00.01	ÇABUK SÖK-TAK SİLİNDİRİ, YÜKLEYİCİ (OP)	QUICK COUPLER CYLINDER, LOADER (OP)
G210.00.01	TESVİYE KÜREĞİ SİLİNDİRİ (OP)	LEVELLING BLADE CYLINDER (OP)
G220.00.01	TESVİYE KÜREĞİ SİLİNDİRİ (ÇİFT EKSENLİ) SAĞ (OP)	LEVELLING BLADE CYLINDER (DOUBLE AXIS) RH (OP)
G220.00.02	TESVİYE KÜREĞİ SİLİNDİRİ (ÇİFT EKSENLİ) SOL (OP)	LEVELLING BLADE CYLINDER (DOUBLE AXIS) LH (OP)
G220.00.03	TESVİYE KÜREĞİ SİLİNDİRİ (ÇİFT EKSENLİ) MERKEZ (OP)	LEVELLING BLADE CYLINDER (DOUBLE AXIS) CENTER (OP)
G230.00.01	TOMRUK YÜKLEYİCİ SİLİNDİRİ (OP)	LOG GRAPPLE CYLINDER (OP)
G240.00.01	TOMRUK YÜKLEYİCİ SİLİNDİRİ (HAREKETLİ) (OP)	LOG GRAPPLE CYLINDER (WITH VERTICAL MOVEMENT) (OP)
G250.00.01	DÖNERLİ KANAL KEPÇESİ SİLİNDİRİ (OP)	TILTING BUCKET CYLINDER (OP)
G260.00.01	BOM KİLİT SİLİNDİRİ (MUZ BOM) (OP)	BOOM LOCKING CYLINDER (3-AXIS BOOM) (OP)
G260.01.01	BOM KİLİT SİLİNDİRİ (MAFSALLI BOM)	BOOM LOCKING CYLINDER (KNUCKLE BOOM)
G265.01.01	ARM SİLİNDİRİ, KAZICI	ARM CYLINDER, BACKHOE
G265.02.01	ARM SİLİNDİRİ, KAZICI	ARM CYLINDER, BACKHOE
G270.00.01	TABLA KAYDIRMA SİLİNDİRİ, DIŞ	POWER SLIDER CYLINDER, OUTER
G270.00.02	TABLA KAYDIRMA SİLİNDİRİ, İÇ	POWER SLIDER CYLINDER, INNER
G280.00.01	ÇEKİCİ KANCA SİLİNDİRİ (OP)	TOW HOOK CYLINDER (OP)
G290.00.01	PILOT BESLEME BLOĞU	PILOT SUPPLY BLOCK
G290.00.01	PILOT BESLEME BLOĞU (ORANSAL VALFLİ)	PILOT SUPPLY BLOCK (WITH PROPORTIONAL VALVE)
G300.00.01	SARSINTISIZ YÜRÜYÜŞ VALFİ, MSS	MSS, VALVE
G300.00.01	SARSINTISIZ YÜRÜYÜŞ VALFİ, MSS	MSS, VALVE
G310.00.01	VALF, KUMANDA DEĞİŞTİRİCİ	VALVE, PATTERN SHIFTER

H	DİREKSİYON SİSTEMİ	STEERING SYSTEM
H010.05.01	HİDROLİK TESİSAT, DİREKSİYON (REXROTH) (OP)	HYDRAULIC PIPING, STEERING (REXROTH) (OP)
H010.05.01	HİDROLİK TESİSAT, DİREKSİYON (TİP B)	HYDRAULIC PIPING, STEERING (TYPE B)
H020.00.01	KOMBİNASYON VALFİ	COMBINATION VALVE
H020.00.01	KOMBİNASYON VALFİ	COMBINATION VALVE

İÇİNDEKİLER / CONTENTS

J	FREN SİSTEMİ	BRAKE SYSTEM
J010.03.01	HİDROLİK TESİSAT, FREN	HYDRAULIC PIPING, BRAKE
J010.03.01	HİDROLİK TESİSAT, FREN	HYDRAULIC PIPING, BRAKE
J010.03.01	HİDROLİK TESİSAT, FREN	HYDRAULIC PIPING, BRAKE
K	ELEKTRİK SİSTEMİ	ELECTRICAL SYSTEM
K010.00.01	KABİN ELEKTRİĞİ (1)	CAB ELECTRIC (1)
K010.00.02	KABİN ELEKTRİĞİ (2)	CAB ELECTRIC (2)
K010.00.03	KABİN ELEKTRİĞİ (3)	CAB ELECTRIC (3)
K010.00.04	KABİN ELEKTRİĞİ (4)	CAB ELECTRIC (4)
K010.00.05	KABİN ELEKTRİĞİ (5)	CAB ELECTRIC (5)
K010.00.06	KABİN ELEKTRİĞİ (6)	CAB ELECTRIC (6)
K010.00.07	KABİN ELEKTRİĞİ (7)	CAB ELECTRIC (7)
K010.00.08	KABİN ELEKTRİĞİ (8)	CAB ELECTRIC (8)
K020.04.01	ELEKTRİK (1)	ELECTRIC (1)
K030.00.01	TESFİYE KÜREĞİ (2 EKSEN AÇILI) KABLO TESİSATI (OP)	LEVELLING BLADE,(WITH TWO AXIS TURN) HARNESS (OP)
K040.00.01	KOMPRESÖR VE ELEKTRİK TESİSATI (OP)	COMPRESSOR & HARNESS (OP) (OP)
K050.01.01	SMARTLINK (TİP B)	SMARTLINK (TYPE B)
Y	DİĞERLERİ (ETİKET, AVADANLIK)	OTHERS (DECAL, TOOLS)
Y010.01.01	ETİKET VE LEVHALAR	DECAL AND PLATES
Y010.01.01	ETİKET VE LEVHALAR	DECAL AND PLATES
Y020.03.01	ETİKET VE LEVHALAR (TR) (2)	DECAL AND PLATES (TR) (2)
Y020.14.01	ETİKET VE LEVHALAR (EN) (2)	DECAL AND PLATES (EN) (2)
Y020.23.01	ETİKET VE LEVHALAR (FR) (2)	DECAL AND PLATES (FR) (2)
Y020.33.01	ETİKET VE LEVHALAR (ES) (2)	DECAL AND PLATES (ES) (2)
Y020.42.01	ETİKET VE LEVHALAR (RU) (2)	DECAL AND PLATES (RU) (2)
Y020.51.01	ETİKET VE LEVHALAR (PO) (2)	DECAL AND PLATES (PO) (2)
Y020.59.01	ETİKET VE LEVHALAR (BG) (2)	DECAL AND PLATES (BG) (2)
Y030.00.01	ETİKET VE LEVHALAR, KIRICI	DECAL AND PLATES, BREAKER
Y040.00.01	AVADANLIK TAKIMI	TOOL KIT
Z	MOTOR PARÇALARI	ENGINE PARTS
Z010.00.01	MOTOR, 1104D-44TA	ENGINE, 1104D-44TA
Z020.00.01	KÜLBÜTÖR KAPAĞI, MOTOR 1104D-44TA	CYLINDER HEAD COVER, MOTOR 1104D-44TA
Z020.00.02	KAM MİLİ, MOTOR 1104D- 44TA	CAM SHAFT, ENGINE 1104D- 44TA
Z020.00.03	KÜLBÜTÖR, MOTOR 1104D-44TA	ROCKER ASSEMBLY, ENGINE 1104D- 44TA
Z020.00.04	PİSTON VE SEGMANLAR, MOTOR 1104D-44TA	PISTONS & RINGS, ENGINE 1104D-44TA
Z020.00.05	VOLAN, MOTOR 1104D- 44TA	FLYWHEEL, ENGINE 1104D- 44TA
Z020.00.06	VOLAN MUHAFAZASI, MOTOR 1104D- 44TA	FLYWHEEL HOUSING, ENGINE 1104D- 44TA
Z020.00.07	KRANKMİLİ & ANA VE GEZİNTİ YATAKLARI, MOTOR 1104D-44TA	CRANKSHAFT MAIN & BIG END BEARINGS , ENGINE 1104D- 44TA
Z020.00.08	SİLİNDİR KAPAĞI, MOTOR 1104D-44TA	CYLINDER HEAD ASSY, ENGINE 1104D-44TA,
Z020.00.09	SİLİNDİR BLOĞU VE GÖMLEĞİ, MOTOR 1104D-44TA	CYLINDER BLOCK &LINERS, ENGINE 1104D-44TA
Z020.00.10	BİYEL KOLU, MOTOR 1104D-44TA	CONNECTING RODS, ENGINE 1104D-44TA
Z020.00.11	KRANK ARKA KEÇE YUVASI, MOTOR 1104D-44TA	REAR END OIL SEAL, ENGINE 1104D-44TA
Z020.00.12	KÖR KAPAK, MOTOR 1104D-44TA	BLANKING PLATES, ENGINE 1104D-44TA
Z020.00.13	KRANK KASNAĞI, MOTOR 1104D- 44TA	FRONT END DRIVE INPUT, ENGINE 1104D- 44TA

İÇİNDEKİLER / CONTENTS

Z020.00.14	ZAMANLAMA DİŞLİSİ MUHAFAZASI (1), MOTOR 1104D- 44TA	TIMING CASE (1), ENGINE 1104D- 44TA
Z020.00.15	ZAMANLAMA DİŞLİSİ KAPAĞI (2), MOTOR 1104D- 44TA	TIMING CASE (2), ENGINE 1104D- 44TA
Z020.00.16	ZAMANLAMA DİŞLİSİ KAPAĞI (3), MOTOR 1104D- 44TA	TIMING COVER (3), ENGINE 1104D- 44TA
Z020.00.17	ADAPTÖR, MOTOR 1104D- 44TA	DRIVE ADAPTOR, ENGINE 1104D- 44TA
Z020.00.18	TAPA, MOTOR 1104D- 44TA	BLANKING PLUGS, ENGINE 1104D- 44TA
Z020.00.19	KÖR KAPAK, MOTOR 1104D- 44TA	BLANKING PLATES, ENGINE 1104D- 44TA
Z020.00.20	MOTOR KALDIRMA KULAKLARI, MOTOR 1104D- 44TA	ENGINE LIFTING EYES, ENGINE 1104D- 44TA
Z020.00.21	YARDIMCI DONANIMLAR, MOTOR 1104D- 44TA	MISCELLANEOUS & AUXILIARIES, ENGINE 1104D- 44TA
Z020.00.22	KÖR KAPAK, MOTOR 1104D- 44TA	BLANKING PLATES, ENGINE 1104D- 44TA
Z030.00.01	KARTER, MOTOR 1104D- 44TA	SUMP, ENGINE 1104D- 44TA
Z030.00.01	KARTER, MOTOR 1104D- 44TA	SUMP, ENGINE 1104D- 44TA
Z030.00.02	YAĞ KONTROL ÇUBUĞU BORUSU, MOTOR 1104D- 44TA	DIPSTICK & FILLER TUBE, ENGINE 1104D- 44TA
Z030.00.03	YAĞ EMİŞ BORUSU, MOTOR 1104D- 44TA	OIL STRAINER, ENGINE 1104D- 44TA
Z030.00.04	YAĞ DOLDURMA BORUSU, MOTOR 1104D- 44TA	FILLER, ENGINE 1104D- 44TA
Z030.00.05	YAĞ SOĞUTUCU, MOTOR 1104D- 44TA	OIL COOLER, ENGINE 1104D- 44TA
Z030.00.06	YAĞ FİLTRESİ, MOTOR 1104C-44TA	OIL FILTER, ENGINE 1104C-44T
Z030.00.07	YAĞ FİLTRESİ, MOTOR 1104D- 44TA	REMOTE LUBRICATING OIL FILTER, ENGINE 1104D- 44TA
Z030.00.08	YAĞ POMPASI, MOTOR 1104D- 44TA	LUBRICATING OIL PUMP & DELIVERY HOUSING, ENGINE 1104D- 44TA
Z030.00.09	BESLEME BORUSU, MOTOR 1104D- 44TA	FEED PIPES, ENGINE 1104D- 44TA
Z030.00.10	SIZINTI BORUSU, MOTOR 1104D- 44TA	LEAK-OFF PIPES, ENGINE 1104D- 44TA
Z030.00.11	HAVALANDIRMA SİSTEMİ, MOTOR 1104D- 44TA	BREATHER, ENGINE 1104D- 44TA
Z040.00.01	FAN KASNAĞI , MOTOR 1104D- 44TA	FAN DRIVE, ENGINE 1104D- 44TA
Z040.00.02	SU DEVİRDAİM POMPASI, MOTOR 1104D- 44TA	WATER PUMP, ENGINE 1104D- 44TA
Z040.00.03	BAĞLANTI BORULARI, MOTOR 1104D- 44TA	PIPES, ENGINE 1104D- 44TA
Z040.00.04	TERMOSTAT VE KAPAĞI, MOTOR 1104D- 44TA	WATER OUTLET HOUSING, ENGINE 1104D- 44TA
Z050.00.01	YAKIT PÜSKÜRTME POMPASI, MOTOR 1104D- 44TA	FUEL INJECTION PUMP, ENGINE 1104D- 44TA
Z050.00.02	YAKIT BORULARI, MOTOR 1104D- 44TA	HIGH PRESSURE FUEL PIPES, ENGINE 1104D- 44TA
Z050.00.03	ENJEKTÖRLER, MOTOR 1104D- 44TA	ATOMISERS, ENGINE 1104D- 44TA
Z050.00.04	YAKIT SIZINTI BORUSU, MOTOR 1104D-44TA	FUEL LEAK-OFF PIPE, ENGINE 1104D-44TA
Z050.00.05	YAKIT TRANSFER POMPASI, MOTOR 1104D- 44TA	LIFT PUMP, ENGINE 1104D- 44TA
Z050.00.06	PÜSKÜRTME POMPASI BORUSU, MOTOR 1104D- 44TA	INJECTION PUMP TO FILTER PIPE, ENGINE 1104D- 44TA
Z050.00.07	YAKIT BESLEME KONTROL BORUSU, MOTOR 1104D- 44TA	BOOST CONTROL PIPE, ENGINE 1104D- 44TA
Z060.00.01	SOĞUK ÇALIŞTIRMA MÜŞÜRÜ, MOTOR 1104D- 44TA	PICK-UP SENSOR, ENGINE 1104D- 44TA
Z060.00.02	İLK HAREKET MÜŞÜRÜ, MOTOR 1104D- 44TA	PICK-UP SENSOR, ENGINE 1104D- 44TA
Z060.00.03	MARŞ MOTORU, MOTOR 1104D- 44TA	STARTER MOTOR, ENGINE 1104D- 44TA
Z060.00.04	ALTERNATÖR, MOTOR 1104D- 44TA	ALTERNATOR, MOTOR 1104D- 44TA
Z060.00.05	ALTERNATÖR BAĞLANTILARI, MOTOR 1104D- 44TA	ALTERNATOR BRACKET & FIXINGS, ENGINE 1104D- 44TA
Z060.00.06	ALTERNATÖR KASNAĞI, MOTOR 1104D- 44TA	PULLEYS, ENGINE 1104D- 44TA
Z060.00.07	ISITMA BUJİSİ, MOTOR 1104C-44TA	HEATER PLUGS, ENGINE 1104C-44TA
Z060.00.08	YAĞ BASINÇ MÜŞÜRÜ, MOTOR 1104D- 44TA	LUBRICATION OIL PRESSURE SWITCHGAUGE, ENGINE 1104D- 44TA

İÇİNDEKİLER / CONTENTS

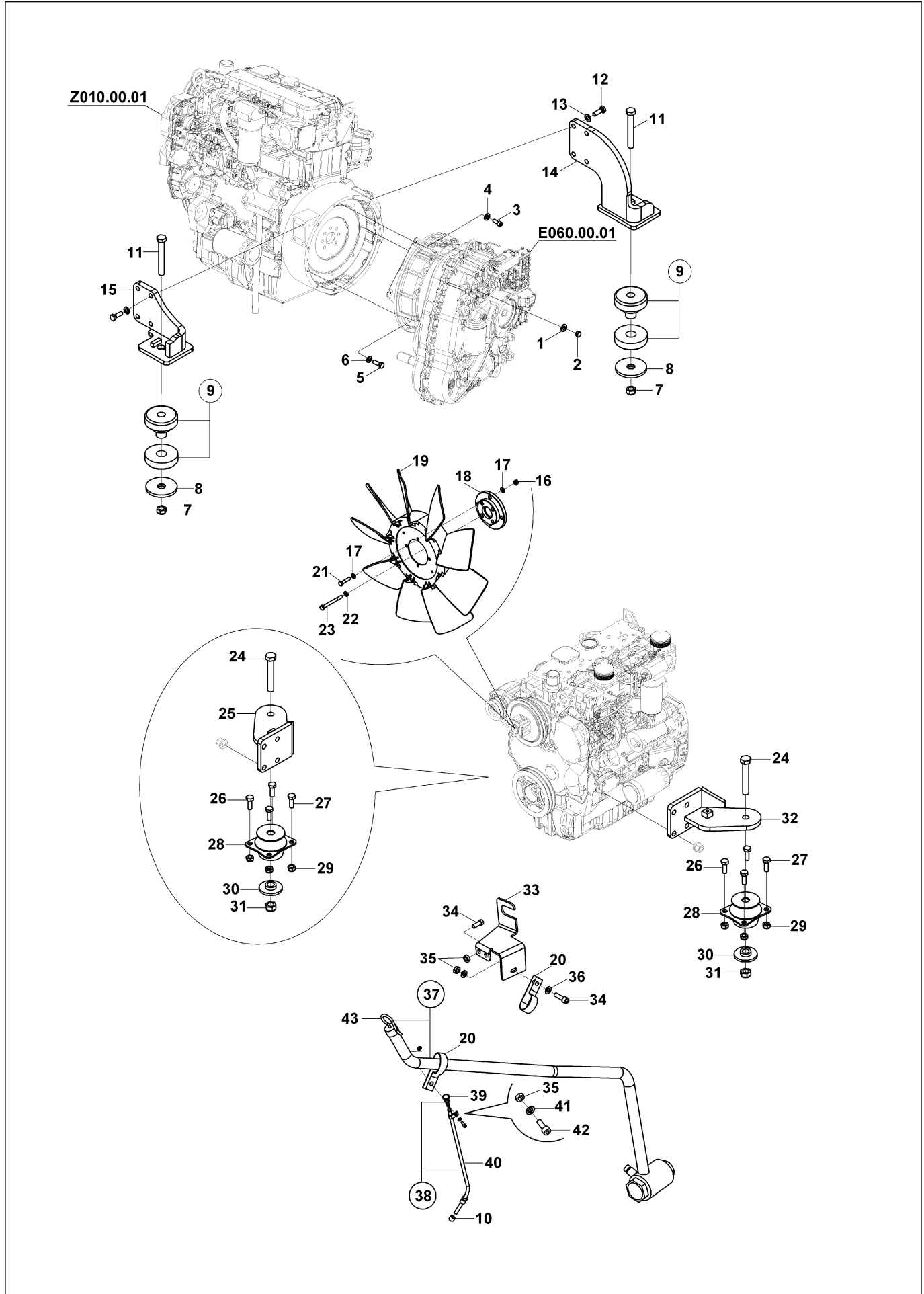
Z060.00.09	SU HARARET MÜŞÜRÜ, MOTOR 1104D- 44TA	TEMPERATURE GAUGE & SENDER, MOTOR 1104D-44TA
Z070.00.01	TÜRBOŞARJ, MOTOR 1104D- 44TA	TURBOCHARGER, ENGINE 1104D- 44TA
Z070.00.02	EGSOZ DİRSEĞİ VE BAĞLANTILARI, MOTOR 1104D- 44TA	PIPEWORK & CONNECTIONS, ENGINE 1104D- 44TA
Z070.00.03	EGSOZ MANİFOLDU, MOTOR 1104D- 44TA	EXHAUST MANIFOLD, ENGINE 1104D- 44TA
Z070.00.04	BAĞLANTILAR, MOTOR 1104D- 44TA	PIPEWORK & CONNECTION, ENGINE 1104D- 44TA
Z070.00.05	EMME MANİFOLDU, MOTOR 1104D- 44TA	INDUCTION MANIFOLD, ENGINE 1104D- 44TA

A - MOTOR SİSTEMİ

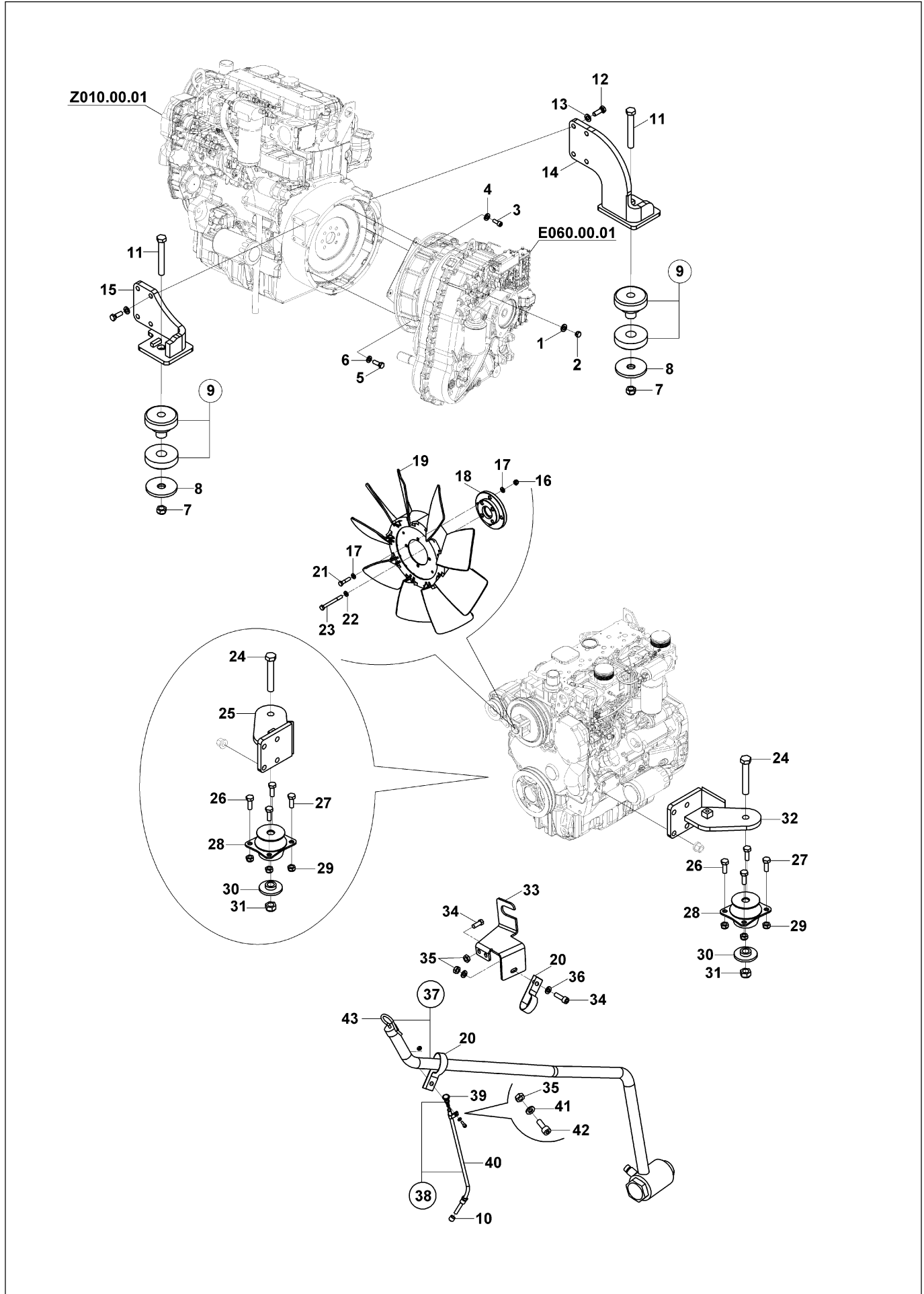
A - ENGINE SYSTEM

Sayfa No / Page No	Sayfa Adı	Page Name	Revizyon / Revision
A010.02.01	MOTOR VE ŞANZİMAN MONTAJI	ENGINE & TRANSMISSION MOUNTING	R2
A010.02.01	MOTOR VE ŞANZİMAN MONTAJI	ENGINE & TRANSMISSION MOUNTING	R3
A020.01.01	MOTOR KONTROL SİSTEMİ	ENGINE CONTROL SYSTEM	R1
A030.04.01	HAVA EMİŞ SİSTEMİ	AIR INTAKE SYSTEM	
A030.05.01	HAVA EMİŞ SİSTEMİ (OP)	AIR INTAKE SYSTEM (OP)	
A040.03.01	EGSOZ MONTAJI	EXHAUST MOUNTING	
A050.02.01	MOTOR SOĞUTMA MONTAJI, WASTEGATE	ENGINE COOLING MOUNTING, WASTEGATE	
A060.03.01	RADYATÖR KOMPLESİ	RADIATOR ASSEMBLY	R1
A070.01.01	YAKIT SİSTEMİ	FUEL SYSTEM	R1
A070.01.01	YAKIT SİSTEMİ	FUEL SYSTEM	R2
A070.01.01	YAKIT SİSTEMİ	FUEL SYSTEM	R3
A070.01.01	YAKIT SİSTEMİ	FUEL SYSTEM	R4
A070.01.01	YAKIT SİSTEMİ	FUEL SYSTEM	R5
A080.01.01	KALORİFER SİSTEMİ	HEATER SYSTEM	
A080.01.01	KALORİFER SİSTEMİ	HEATER SYSTEM	R1
A090.01.01	KLİMA MONTAJI (OP)	AIR CONDITIONER MOUNTING (OP)	
A090.01.01	KLİMA MONTAJI (OP)	AIR CONDITIONER MOUNTING (OP)	R1
A090.01.02	KLİMA ÜNİTESİ (OP)	AIR CONDITIONER UNIT (OP)	

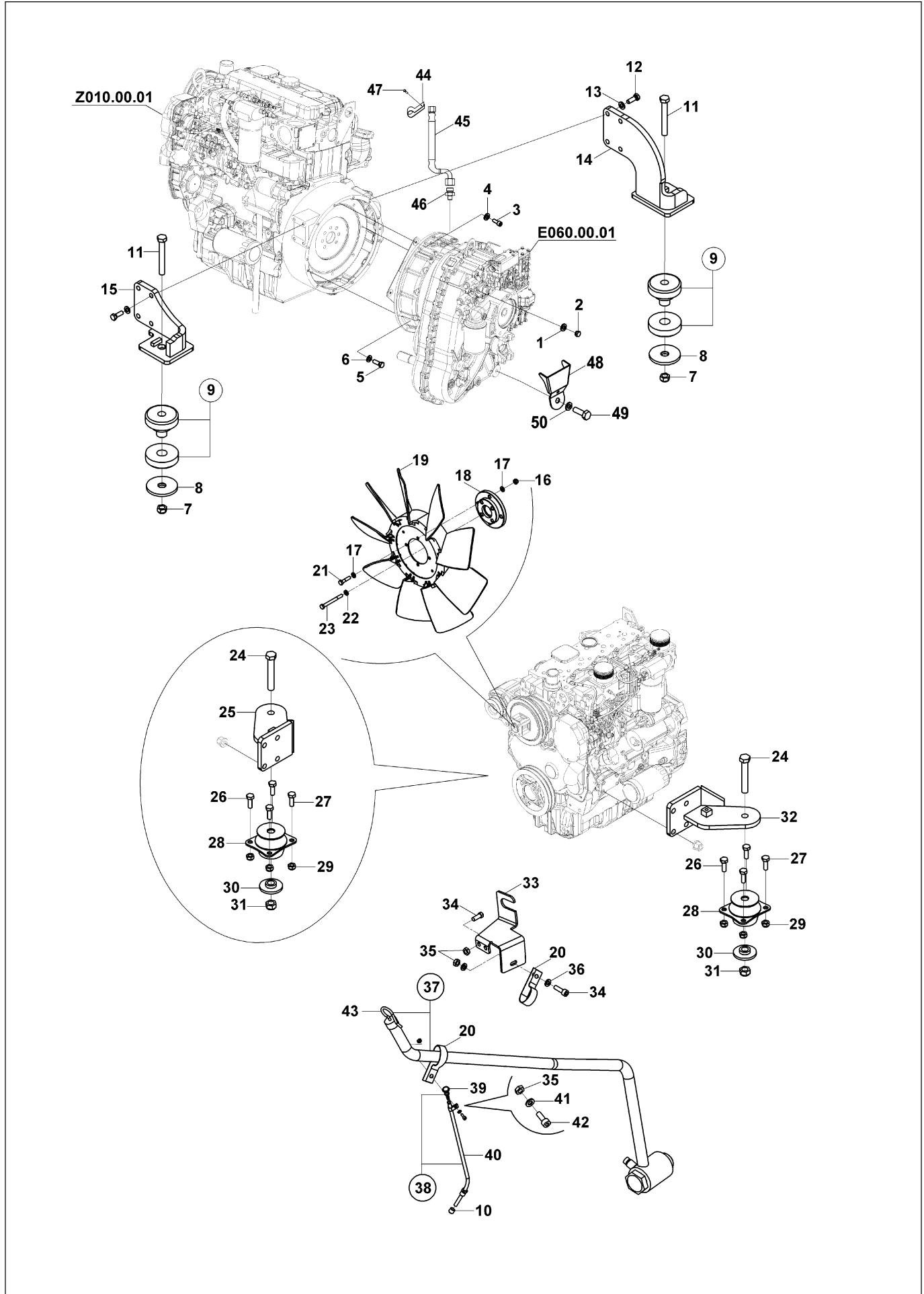
MOTOR VE ŞANZIMAN MONTAJI ENGINE & TRANSMISSION MOUNTING



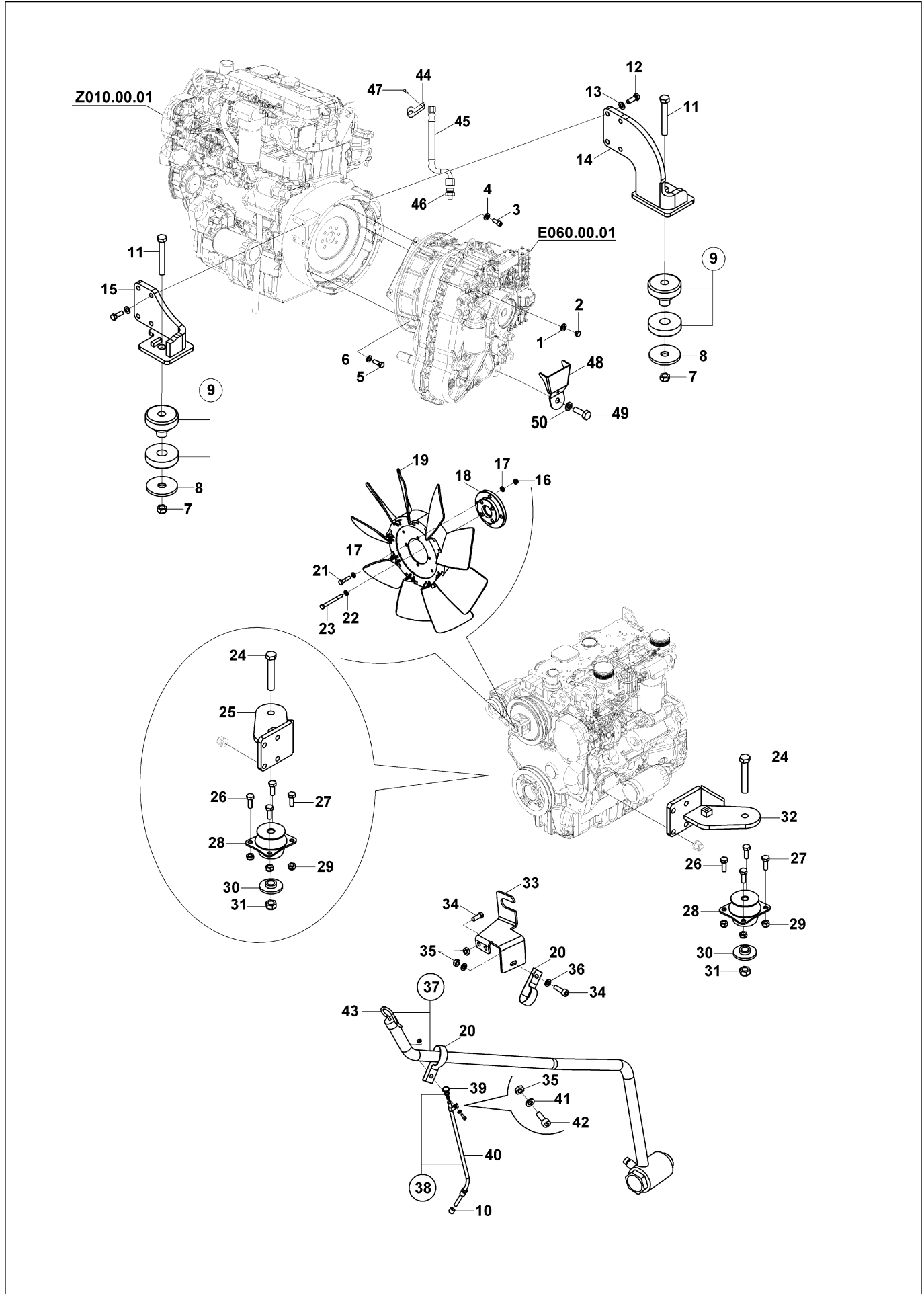
MOTOR VE ŞANZIMAN MONTAJI
ENGINE & TRANSMISSION MOUNTING



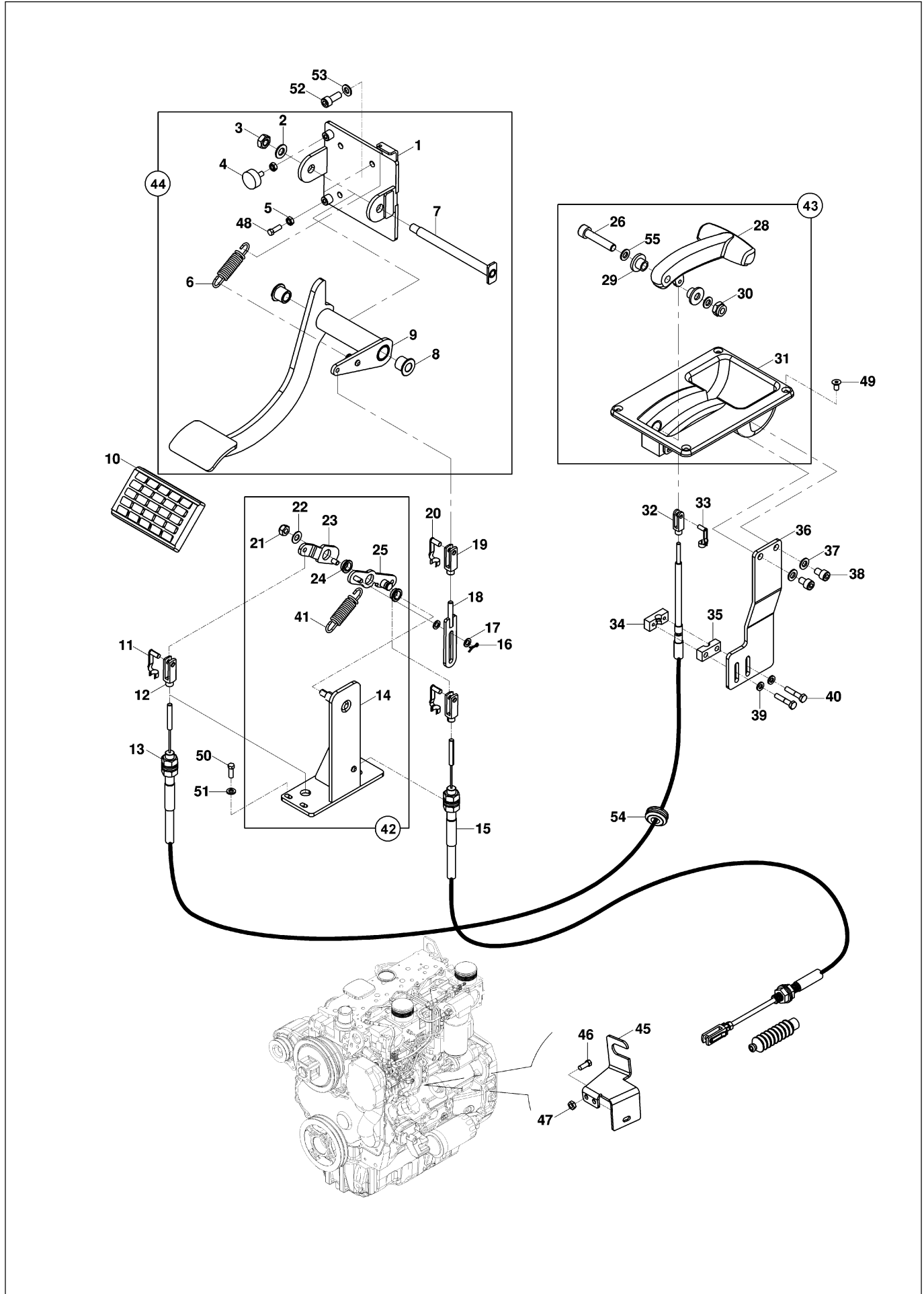
MOTOR VE ŞANZIMAN MONTAJI
ENGINE & TRANSMISSION MOUNTING



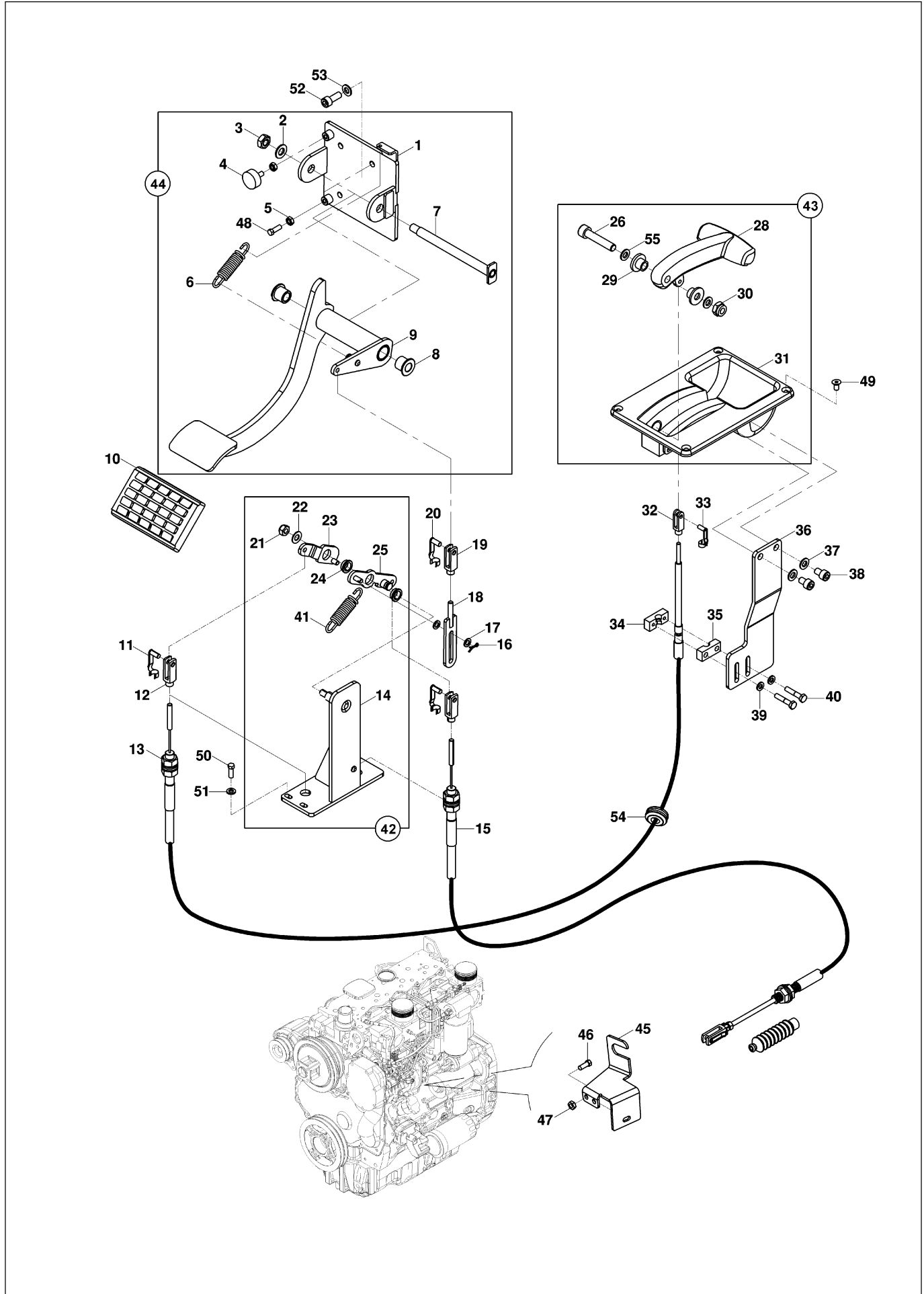
MOTOR VE ŞANZIMAN MONTAJI ENGINE & TRANSMISSION MOUNTING



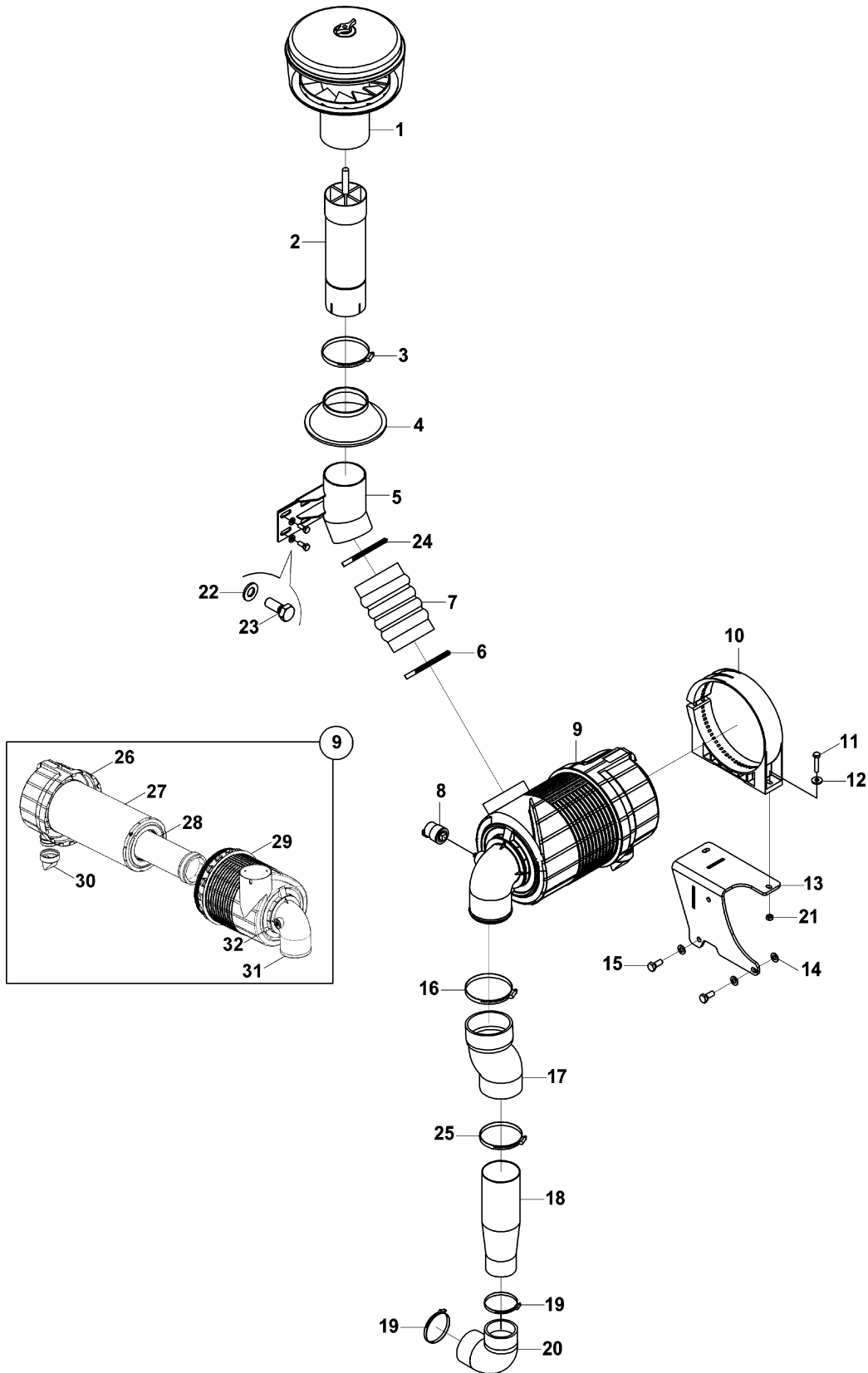
MOTOR KONTROL SİSTEMİ ENGINE CONTROL SYSTEM



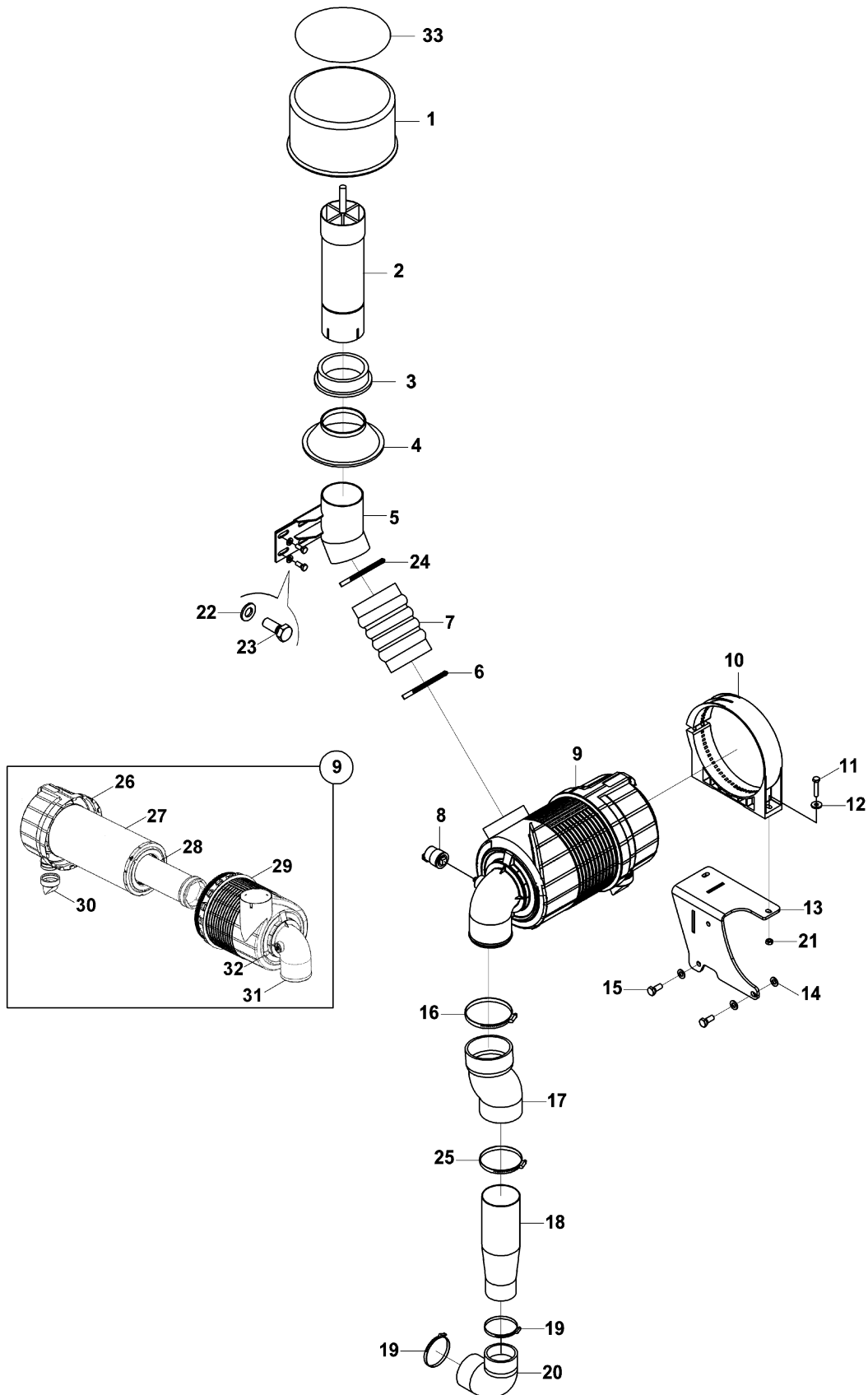
MOTOR KONTROL SİSTEMİ ENGINE CONTROL SYSTEM

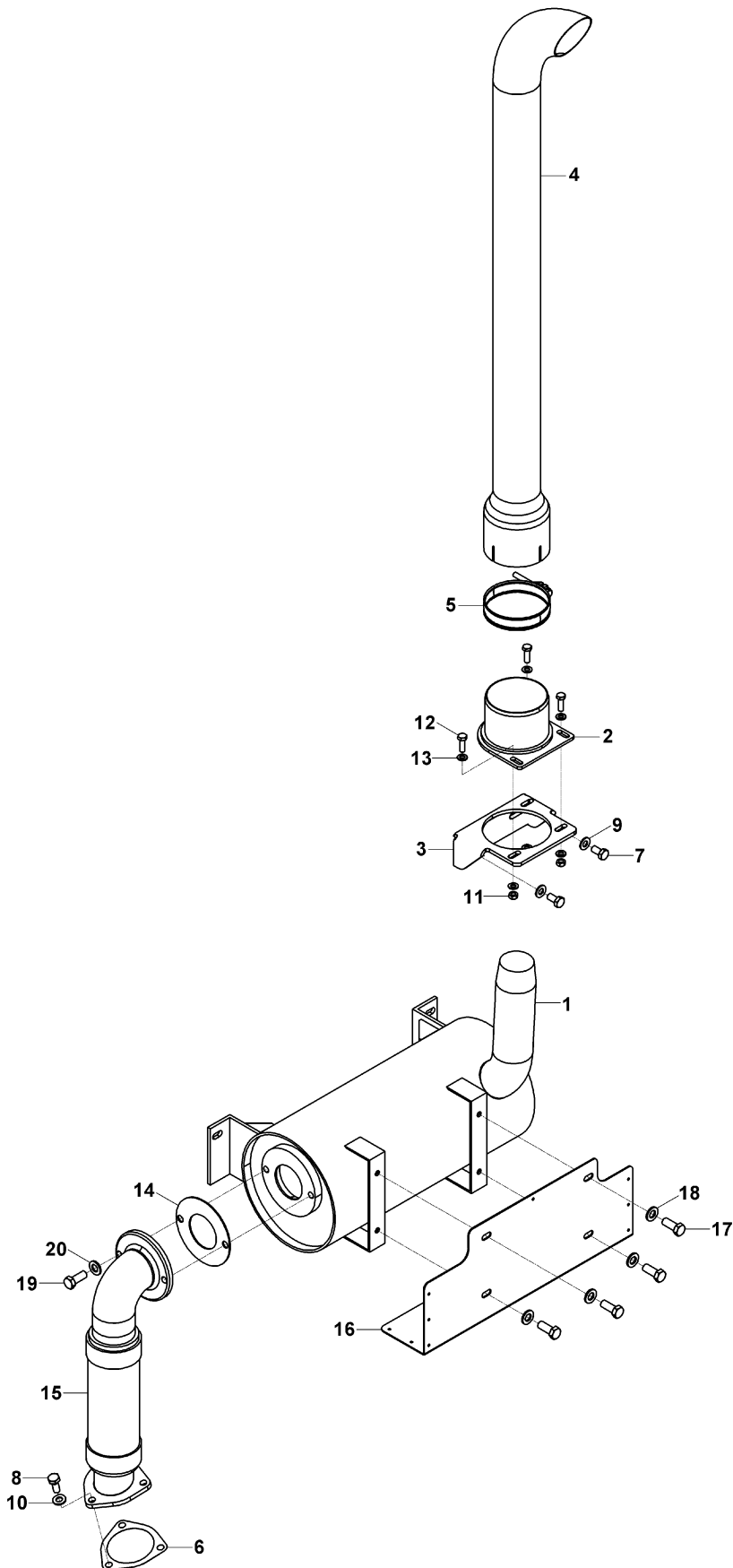


HAVA EMİŞ SİSTEMİ
AIR INTAKE SYSTEM

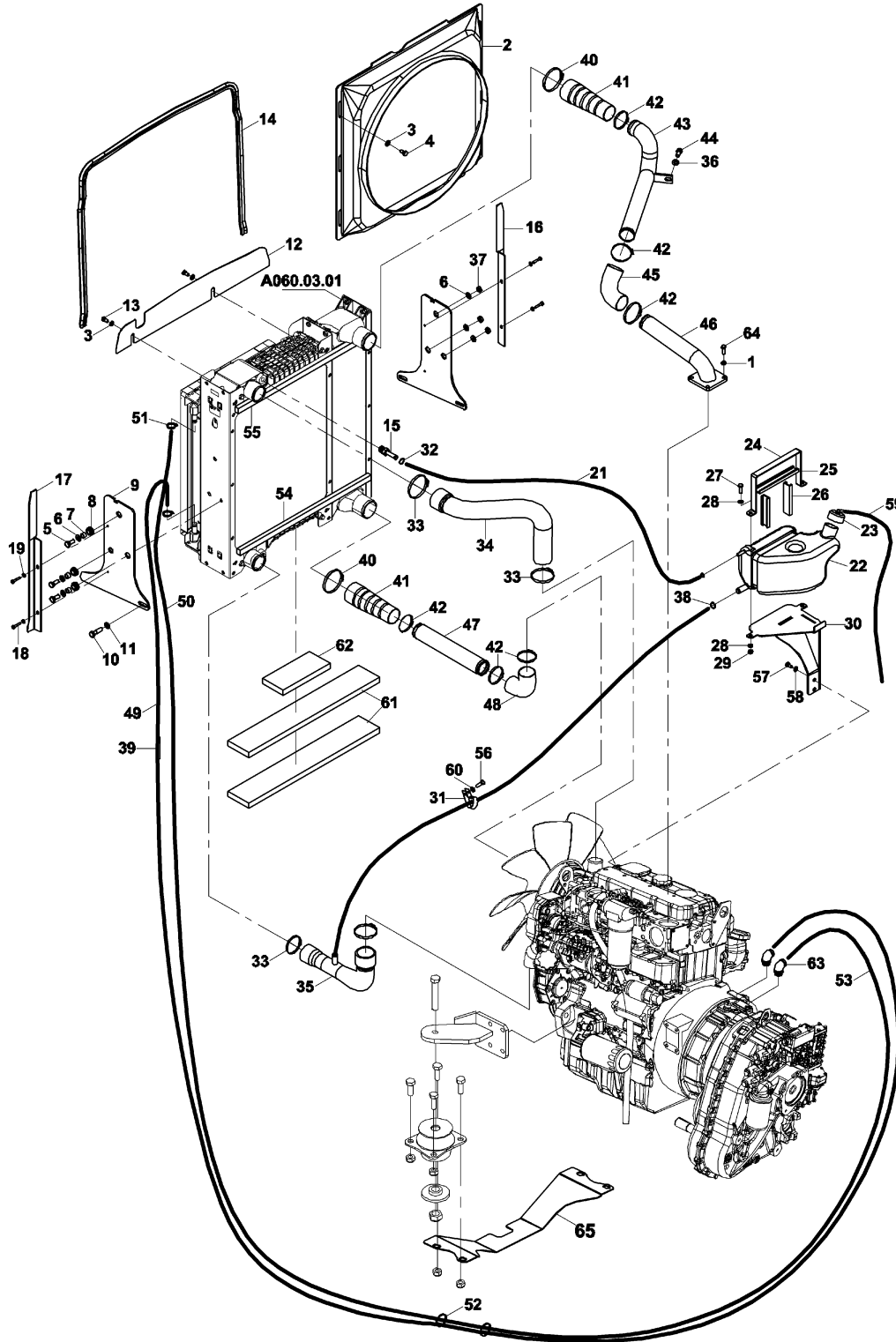


HAVA EMİŞ SİSTEMİ (OP) AIR INTAKE SYSTEM (OP)

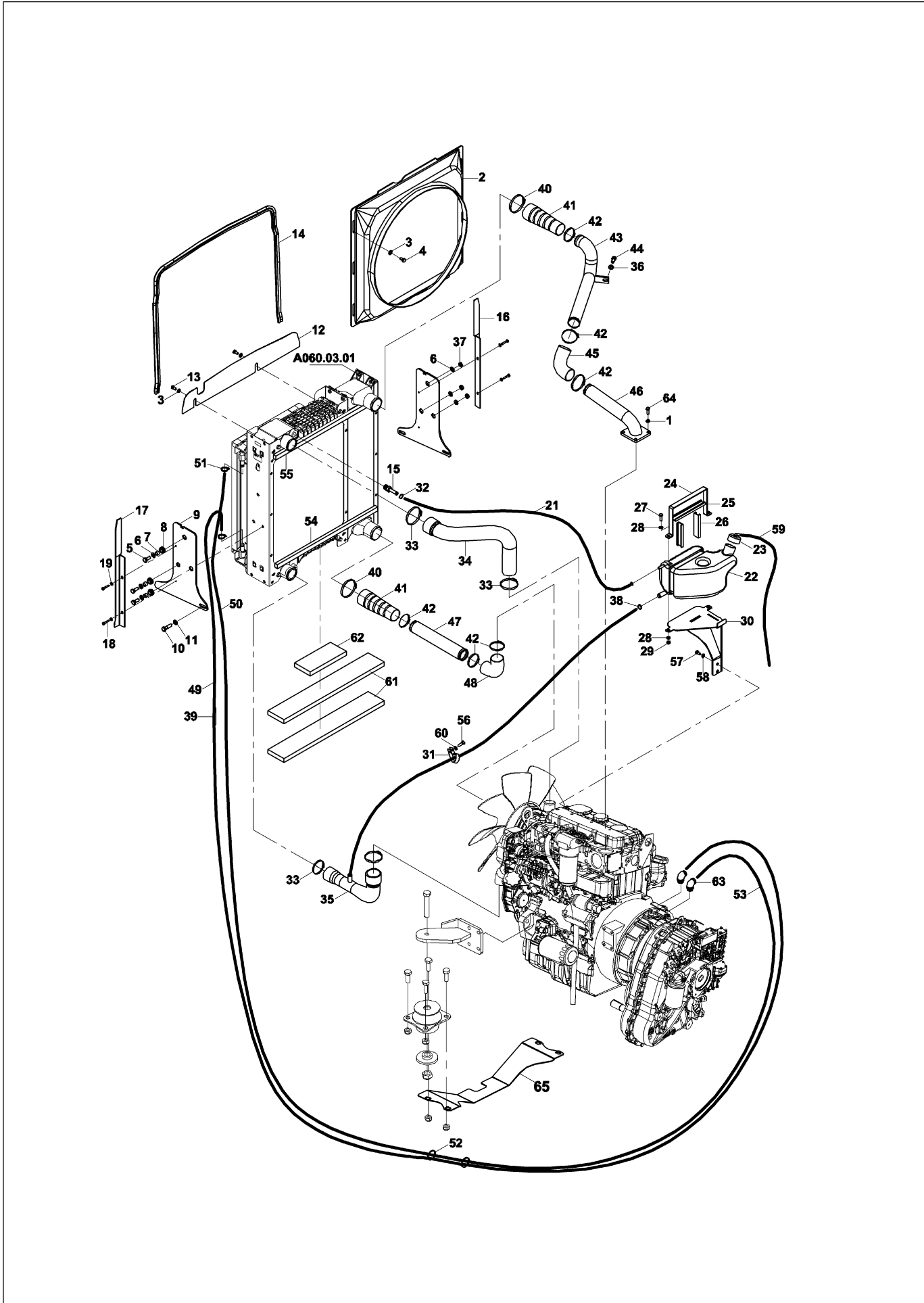


**EGSOZ MONTAJI
EXHAUST MOUNTING**

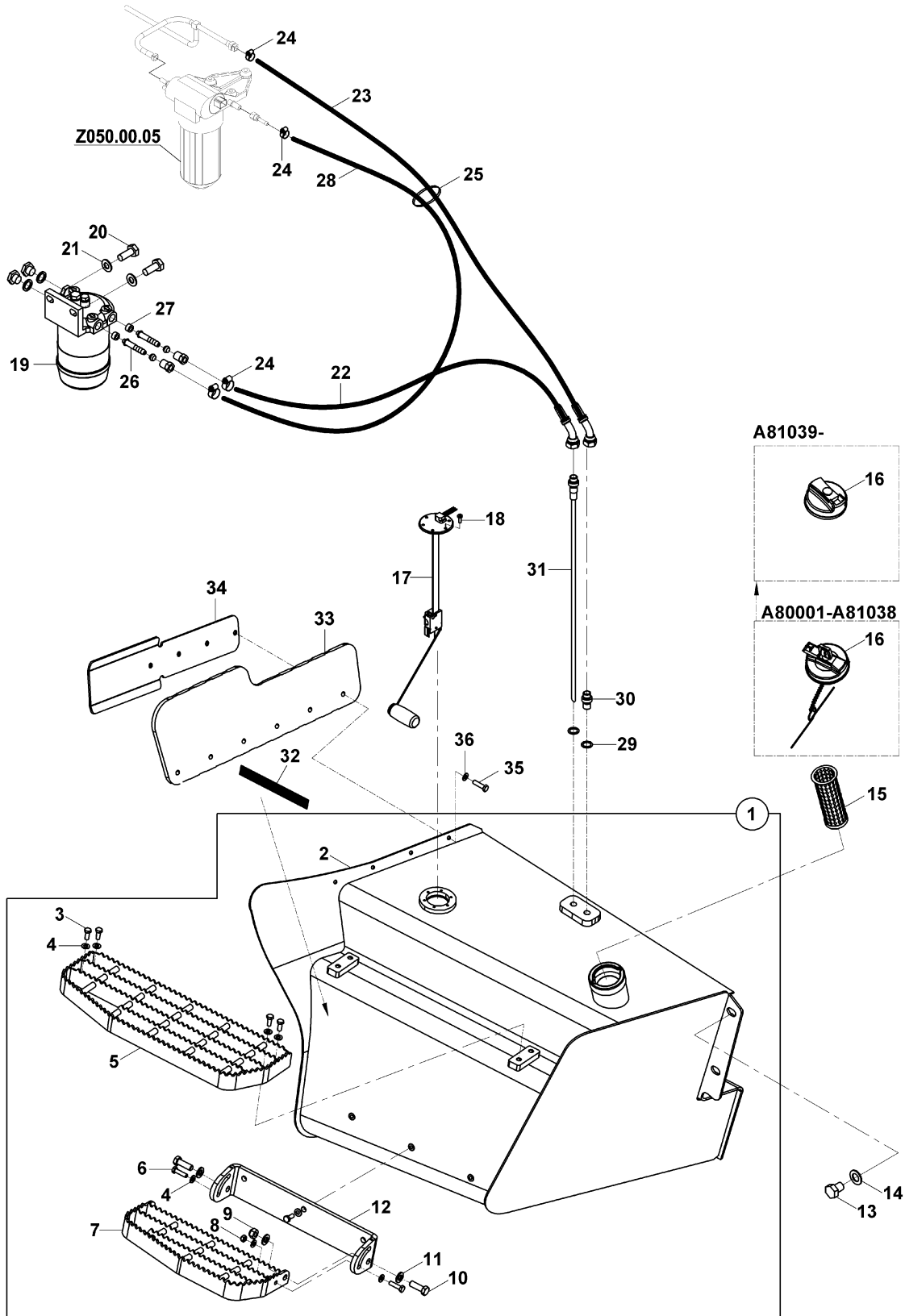
**MOTOR SOĞUTMA MONTAJI, WASTEGATE
ENGINE COOLING MOUNTING, WASTEGATE**



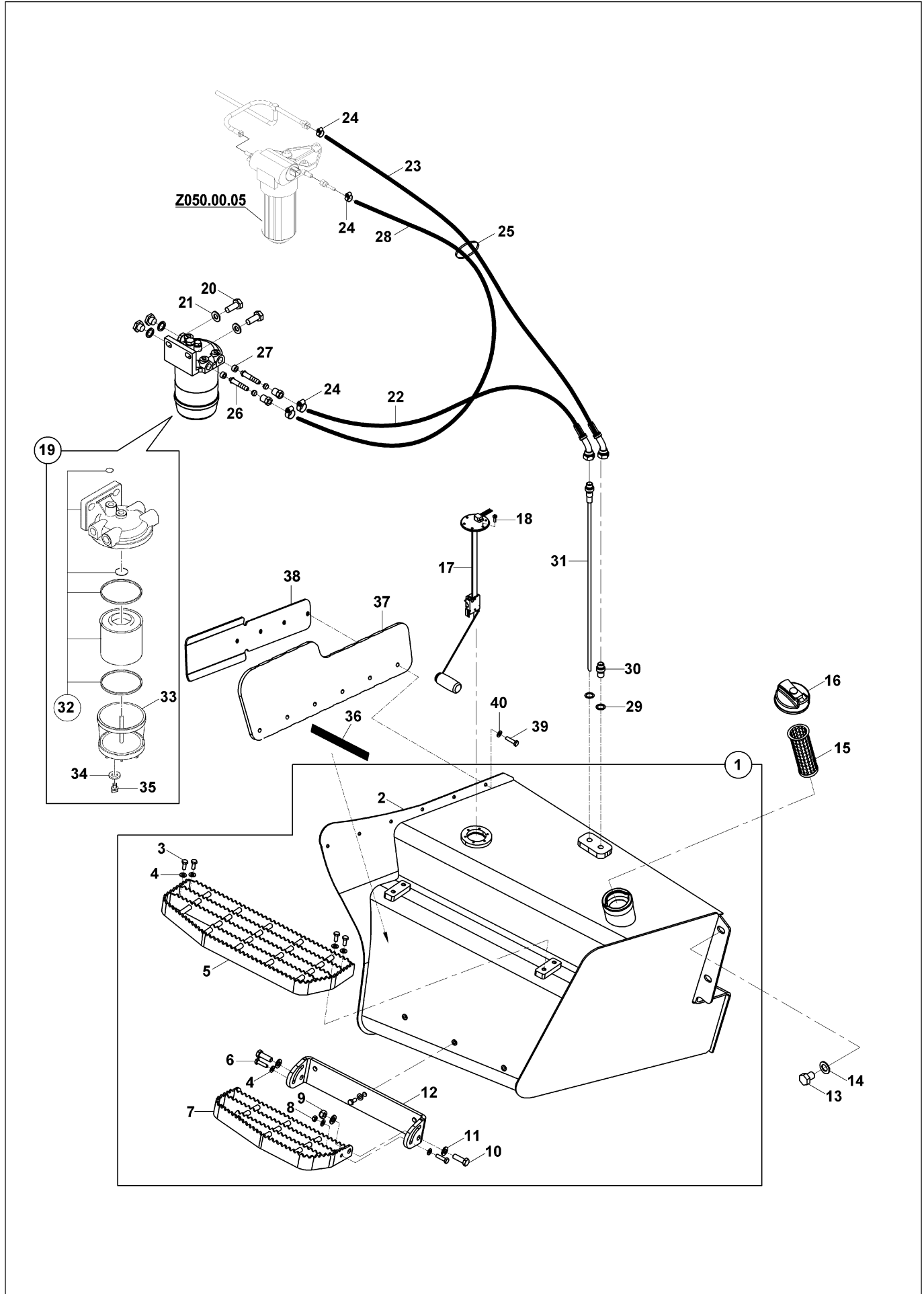
**MOTOR SOĞUTMA MONTAJI, WASTEGATE
ENGINE COOLING MOUNTING, WASTEGATE**



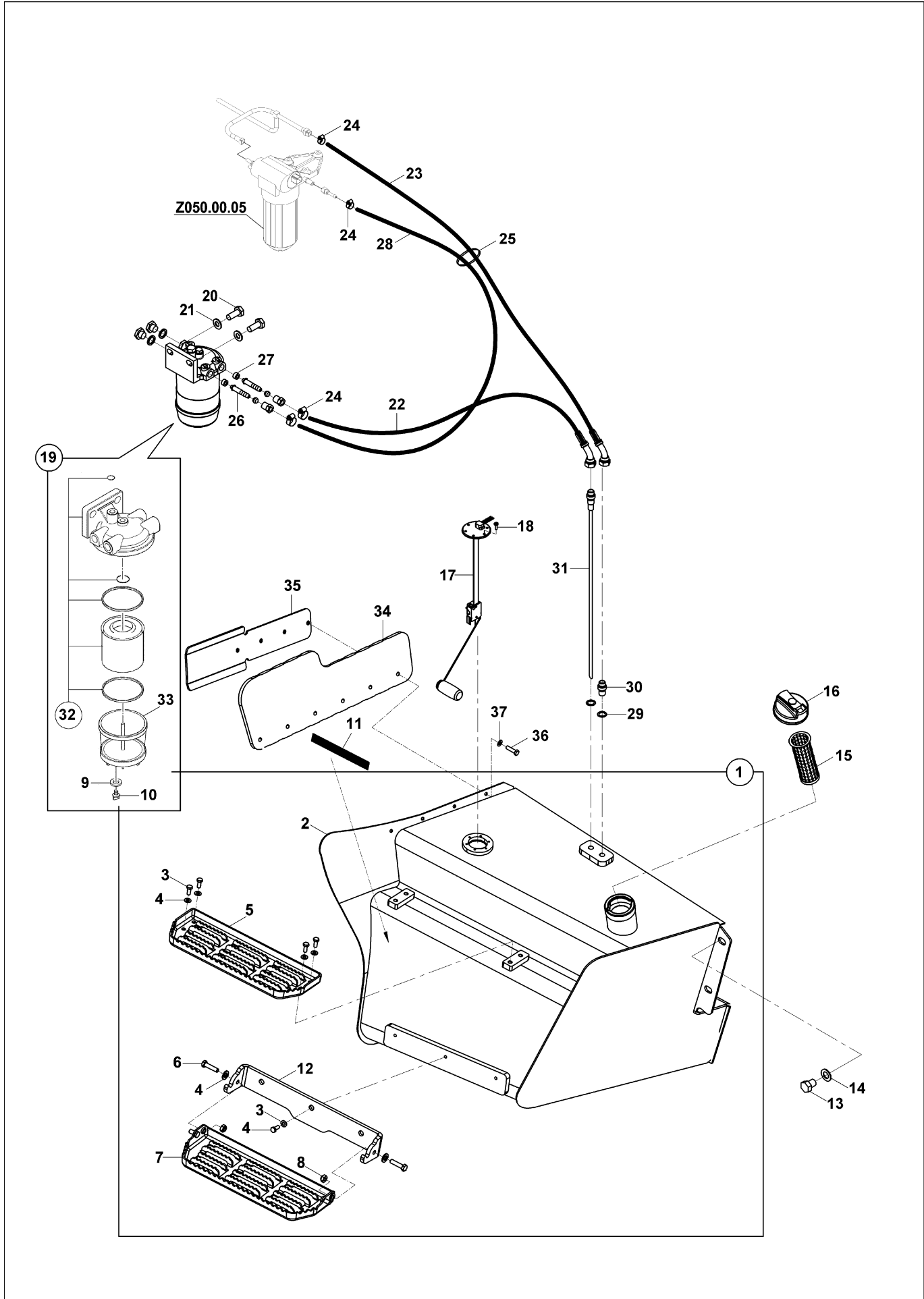
YAKIT SİSTEMİ FUEL SYSTEM



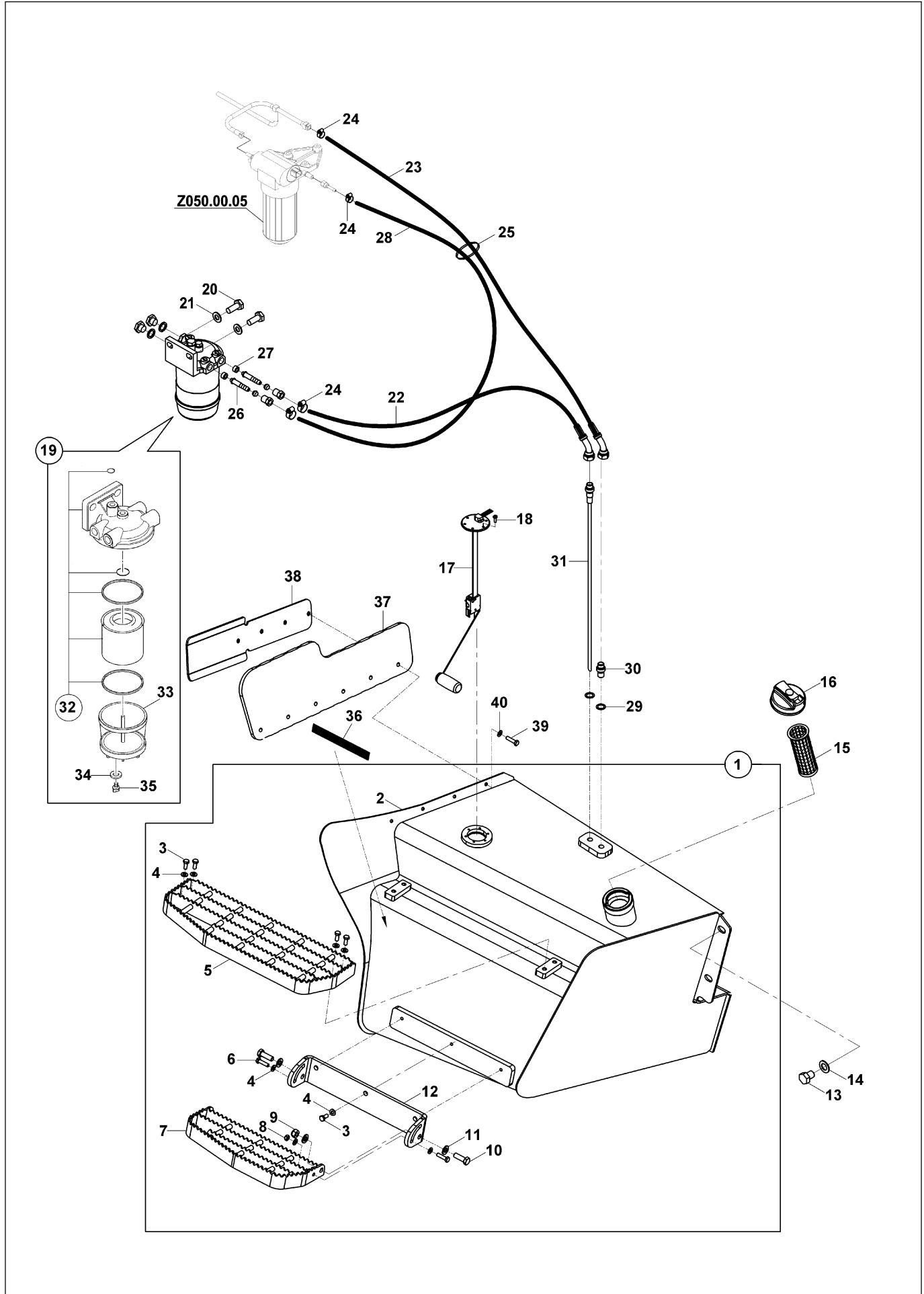
YAKIT SİSTEMİ FUEL SYSTEM



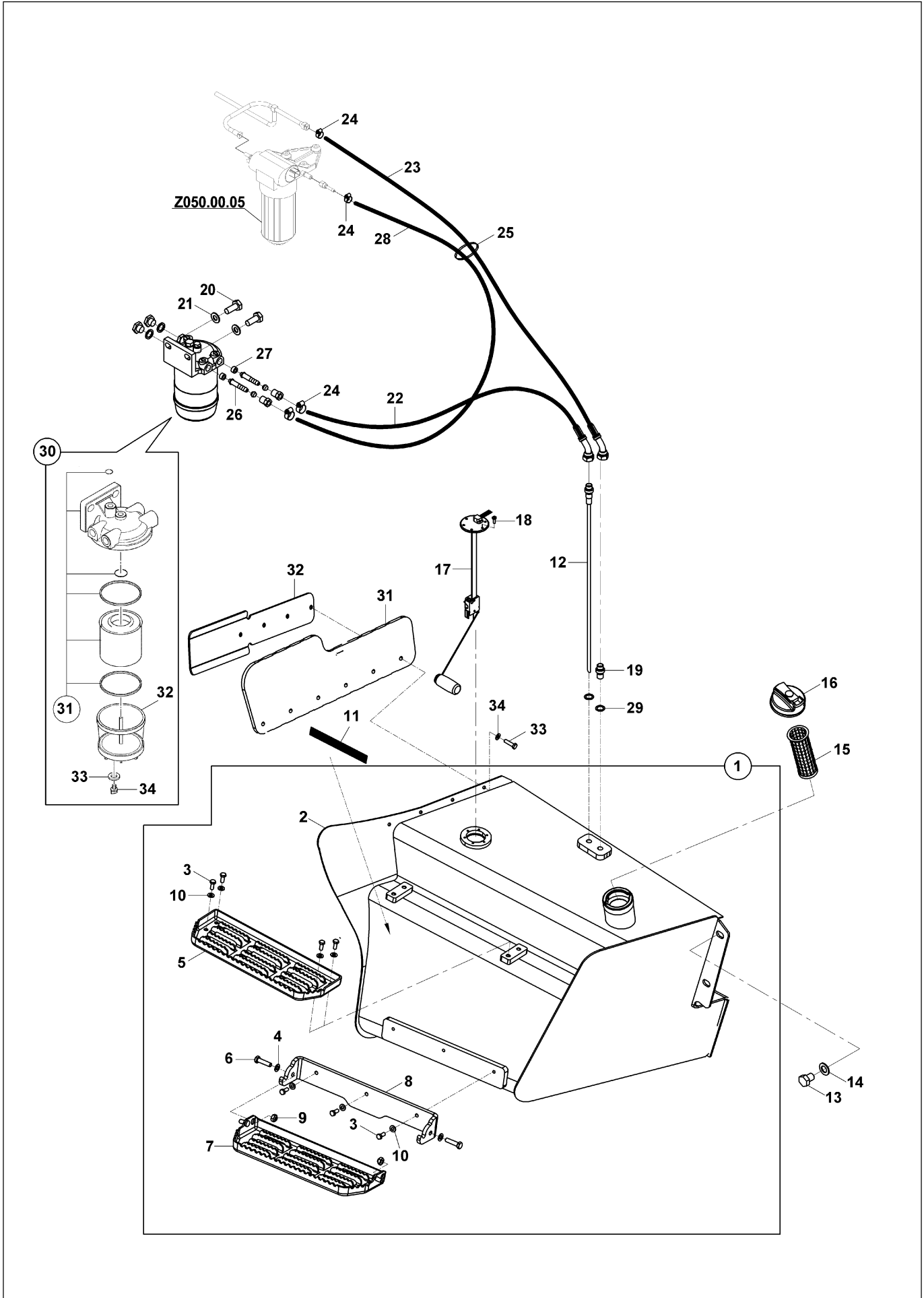
**YAKIT SİSTEMİ
FUEL SYSTEM**



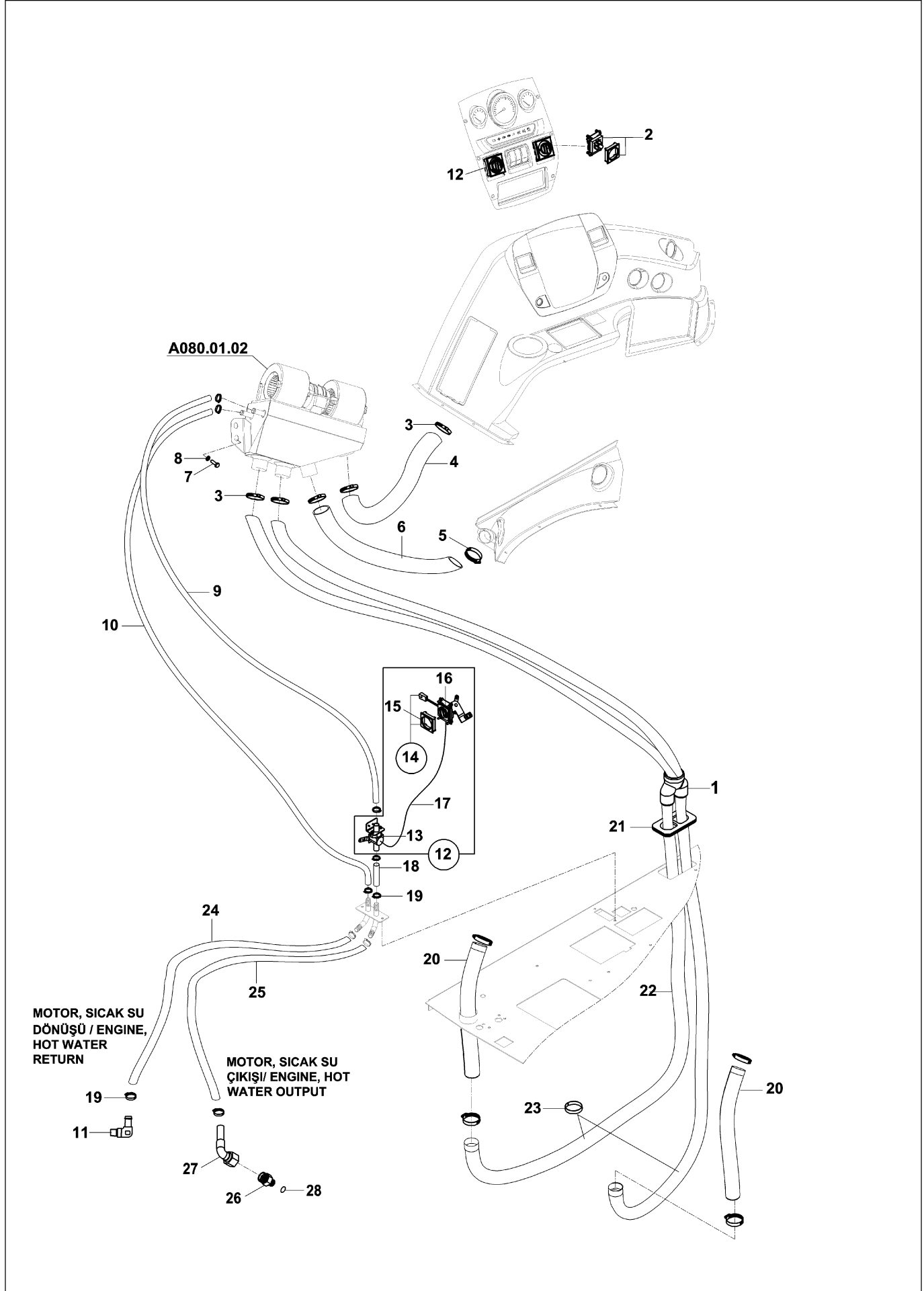
**YAKIT SİSTEMİ
FUEL SYSTEM**



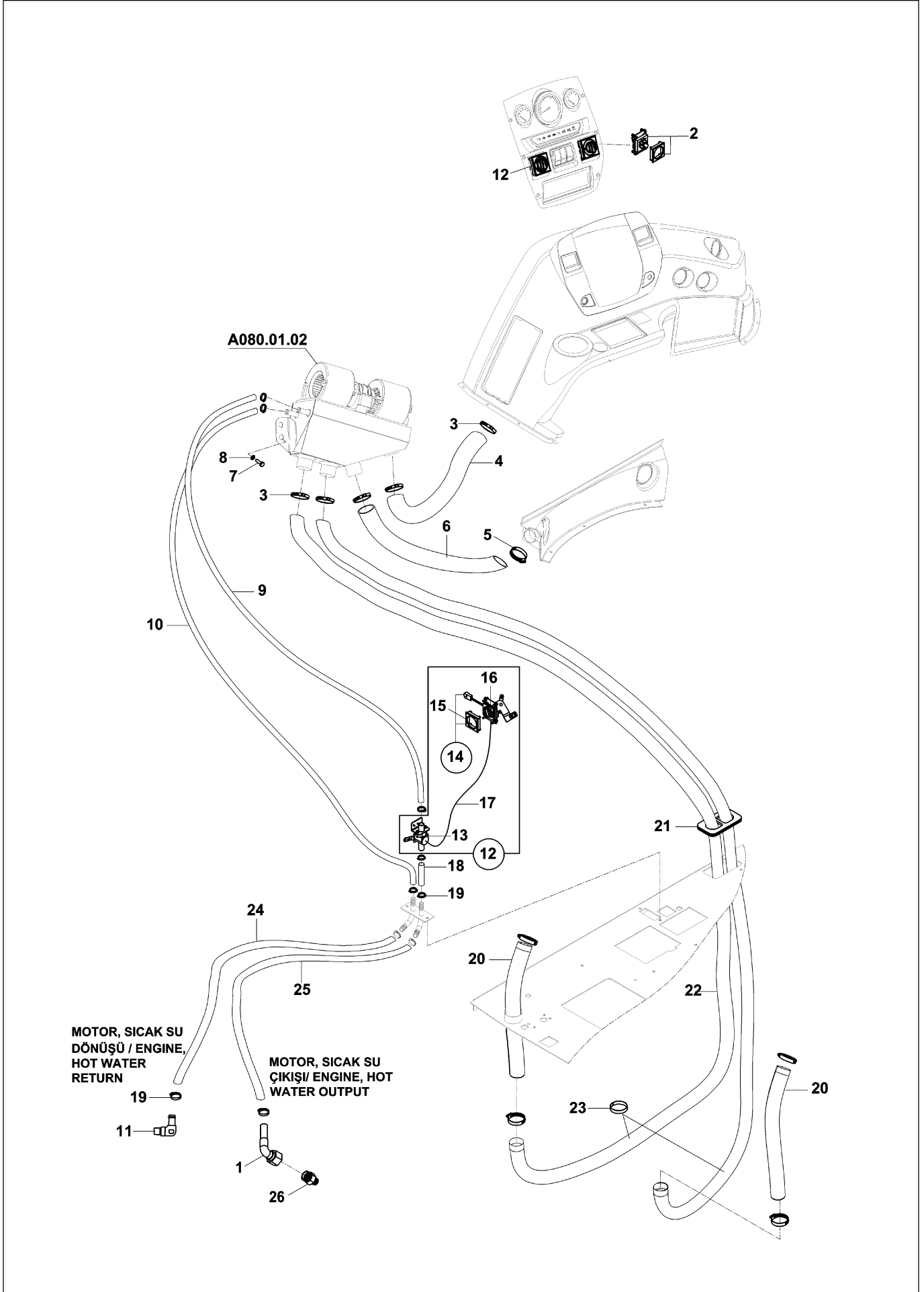
YAKIT SİSTEMİ FUEL SYSTEM



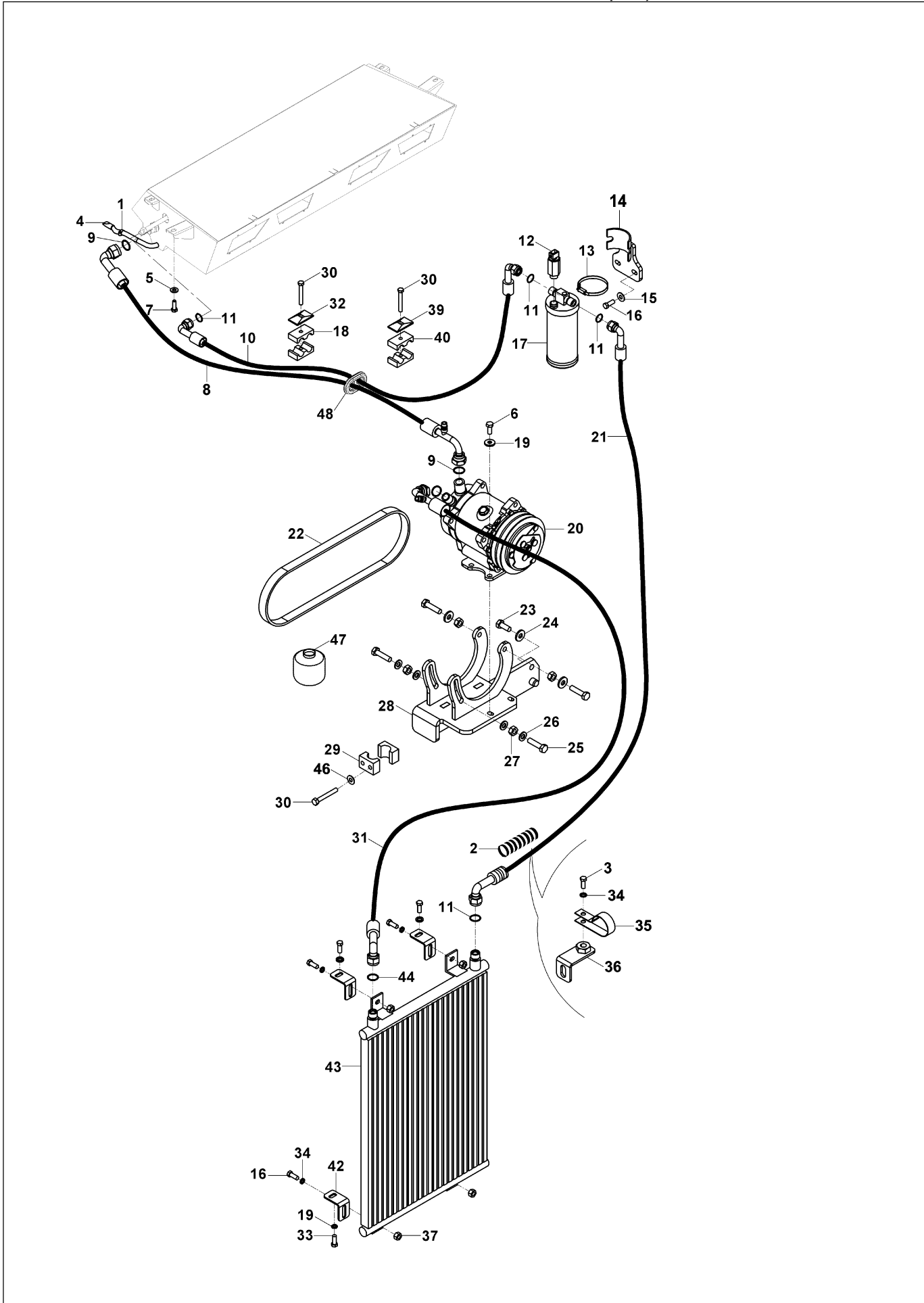
KALORİFER SİSTEMİ HEATER SYSTEM



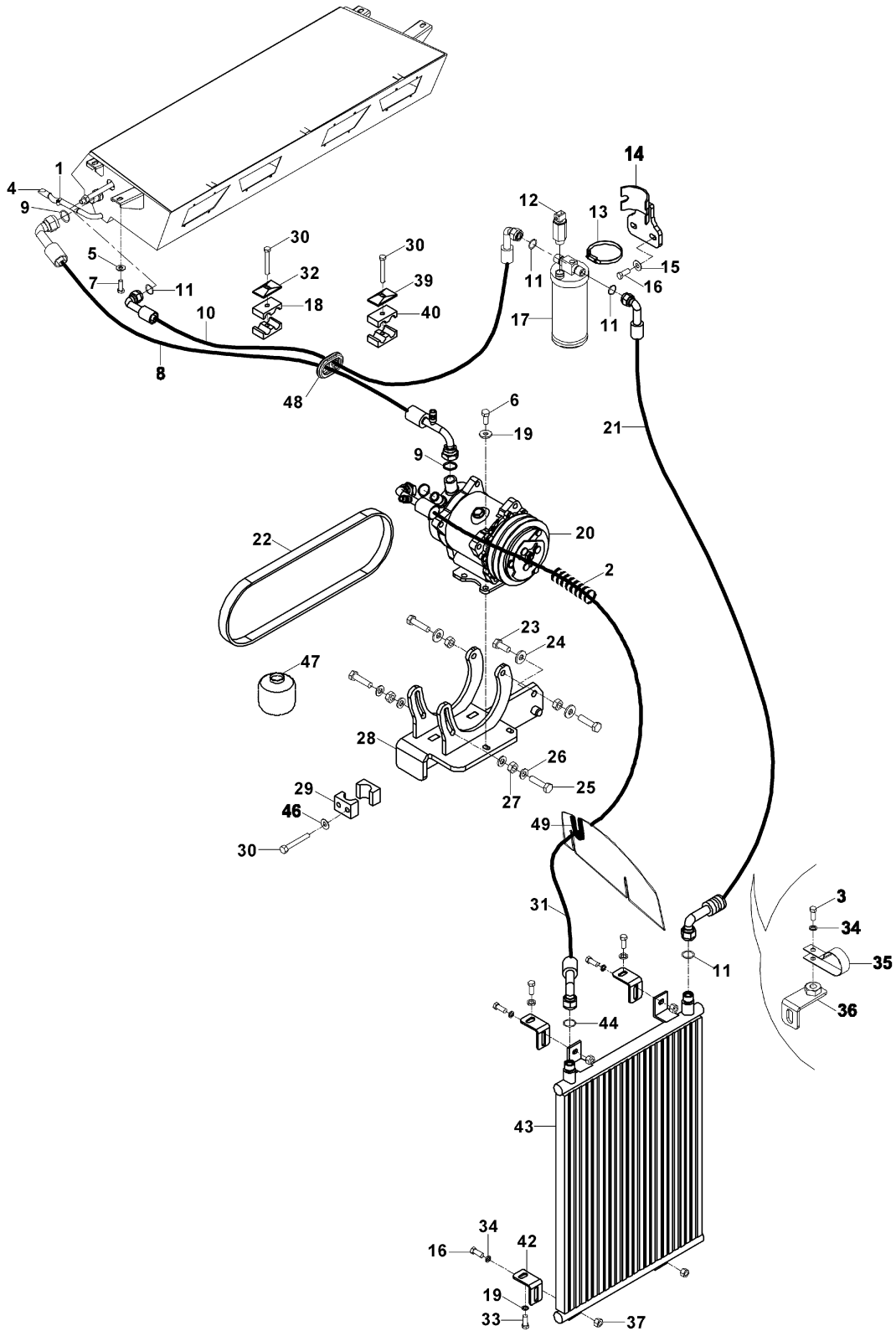
KALORİFER SİSTEMİ HEATER SYSTEM



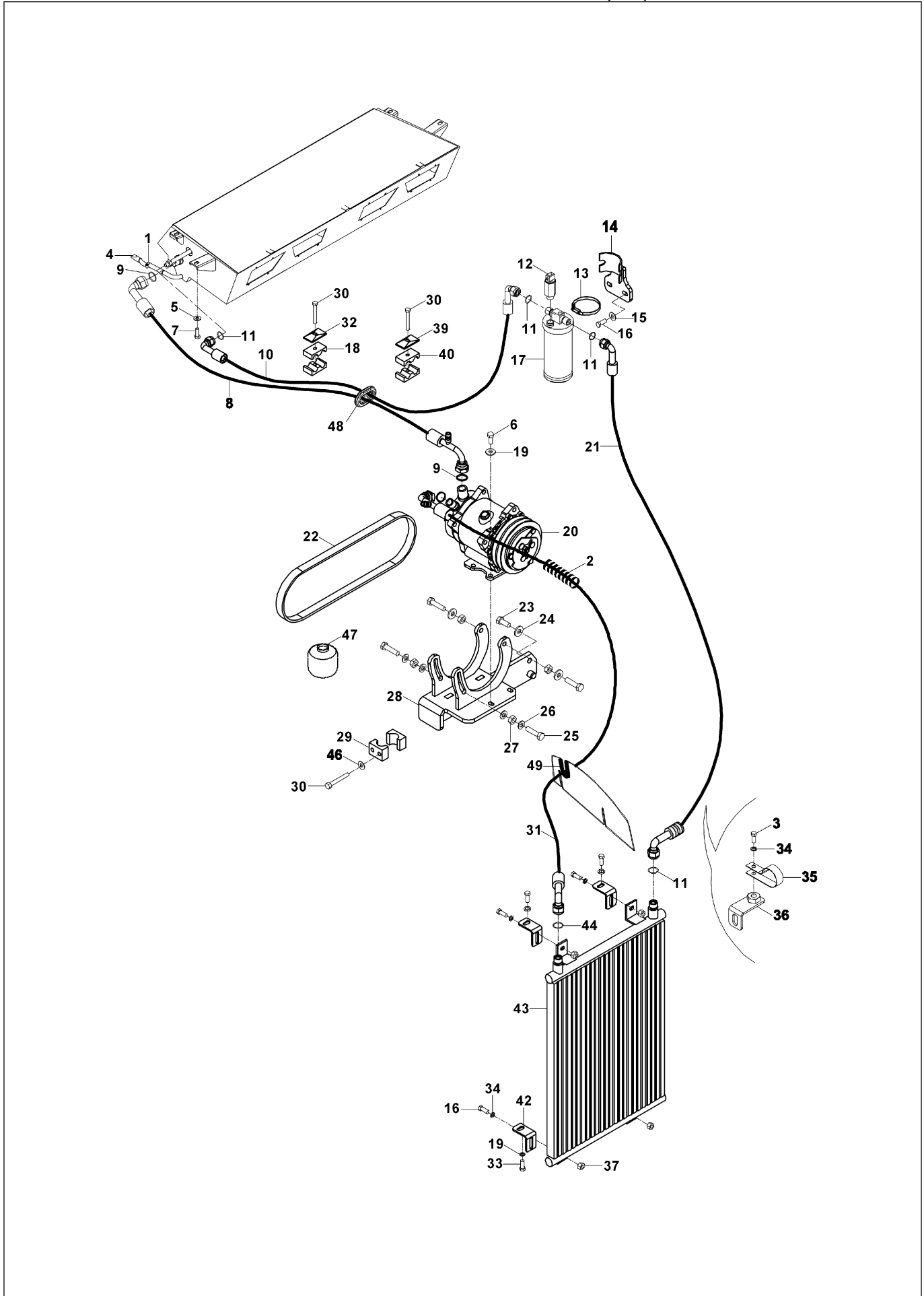
KLİMA MONTAJI (OP) AIR CONDITIONER MOUNTING (OP)



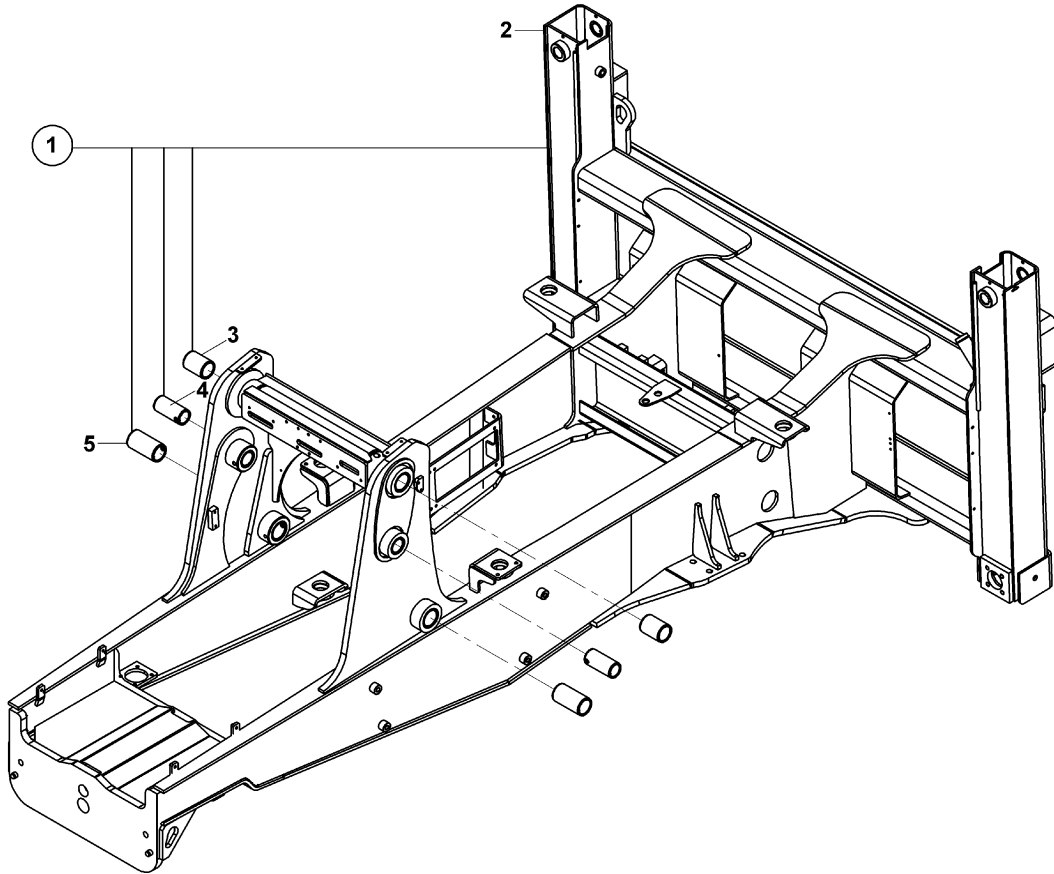
KLİMA MONTAJI (OP)
AIR CONDITIONER MOUNTING (OP)



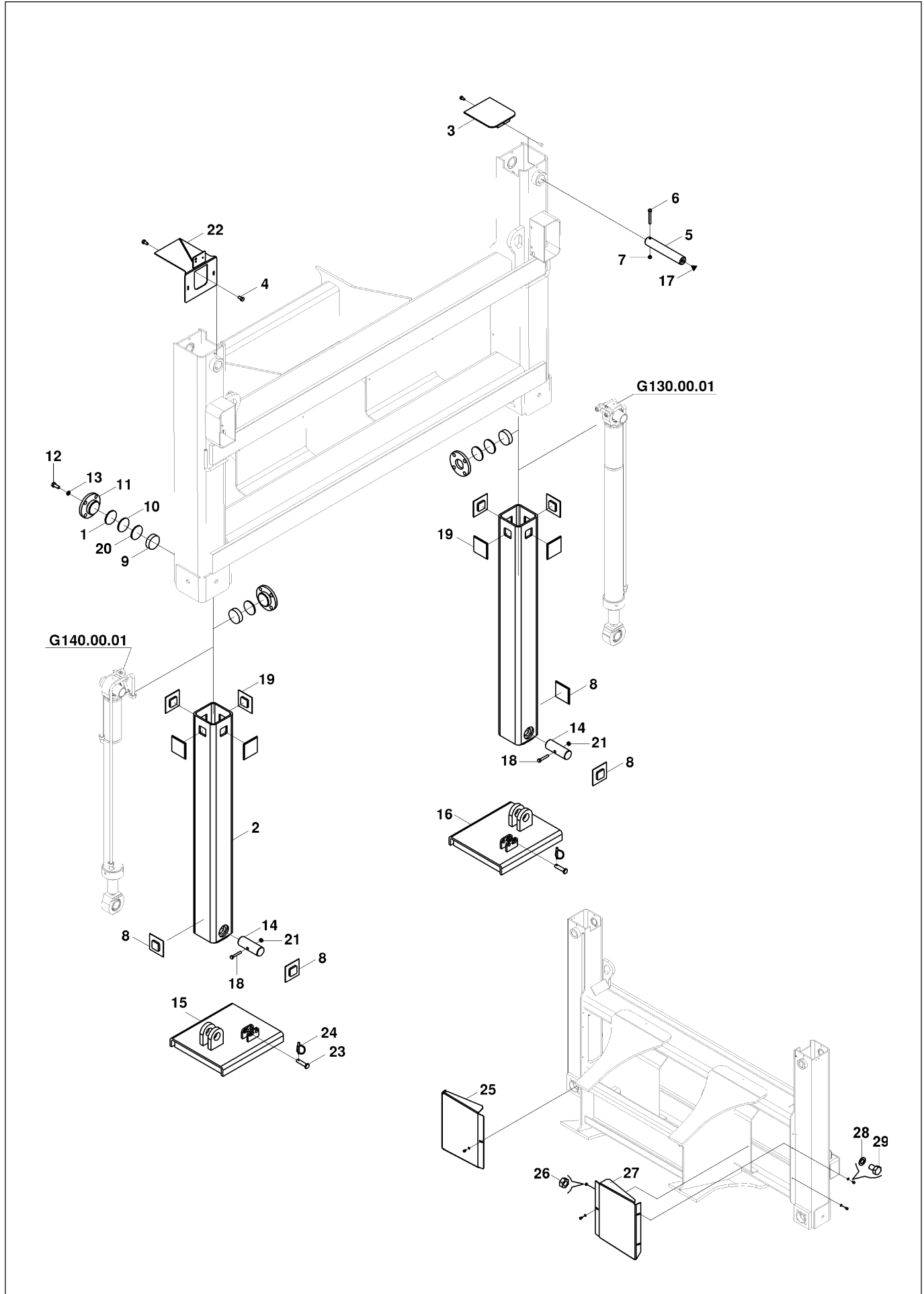
KLİMA MONTAJI (OP) AIR CONDITIONER MOUNTING (OP)



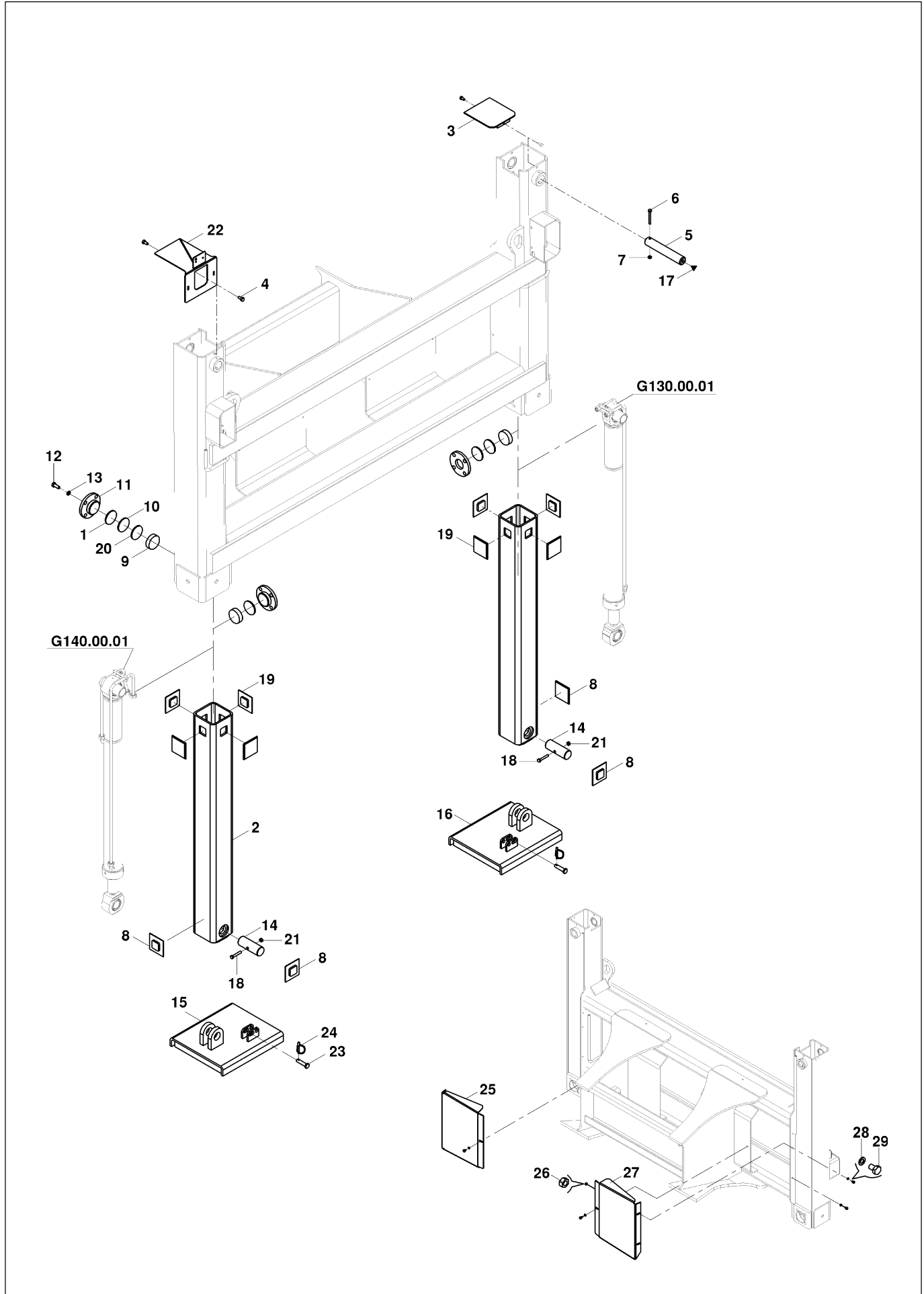
ŞASI MAIN FRAME



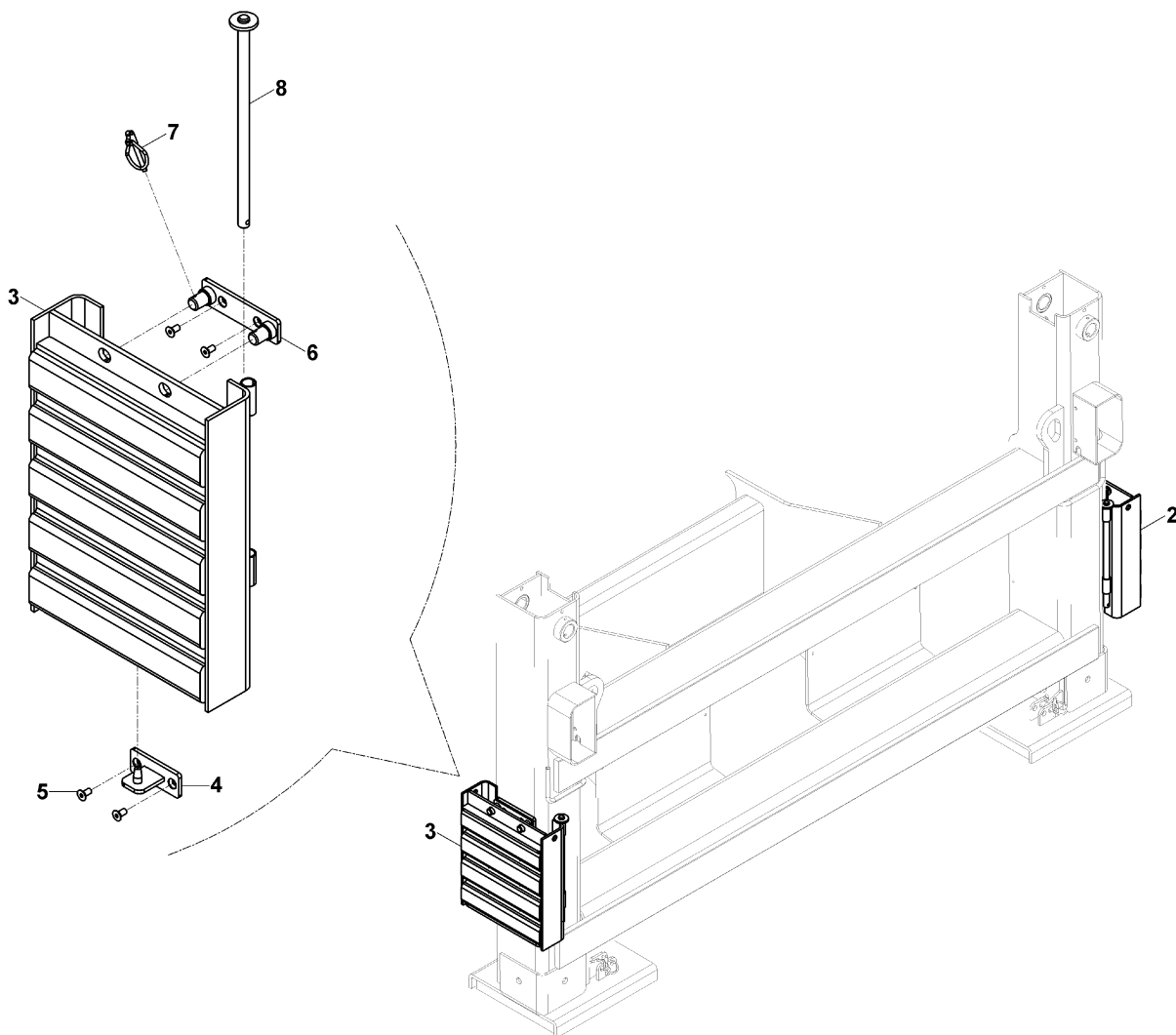
AYAK, KIZAK STABILIZER, SIDESHIFT



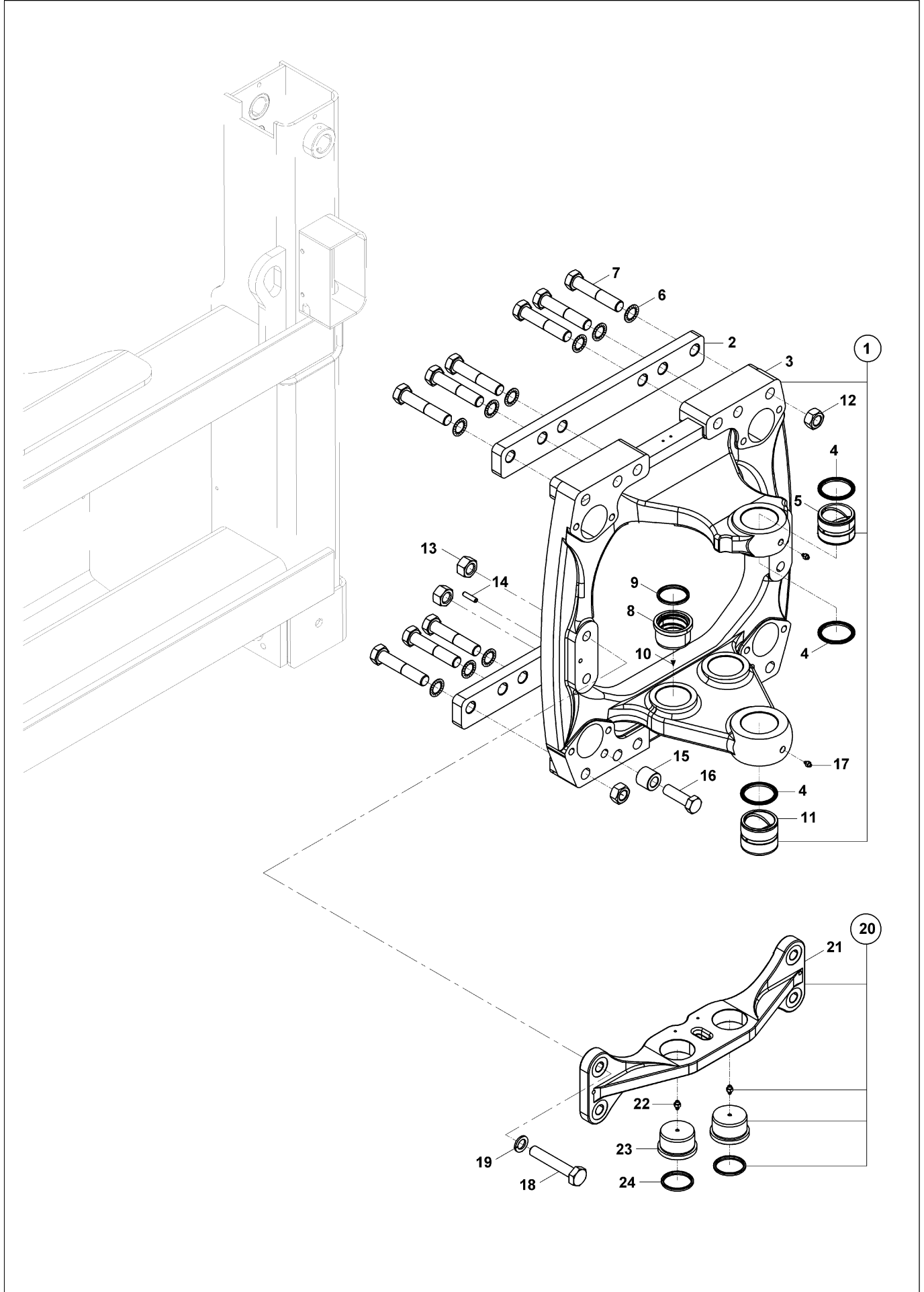
AYAK, KIZAK STABILIZER, SIDESHIFT



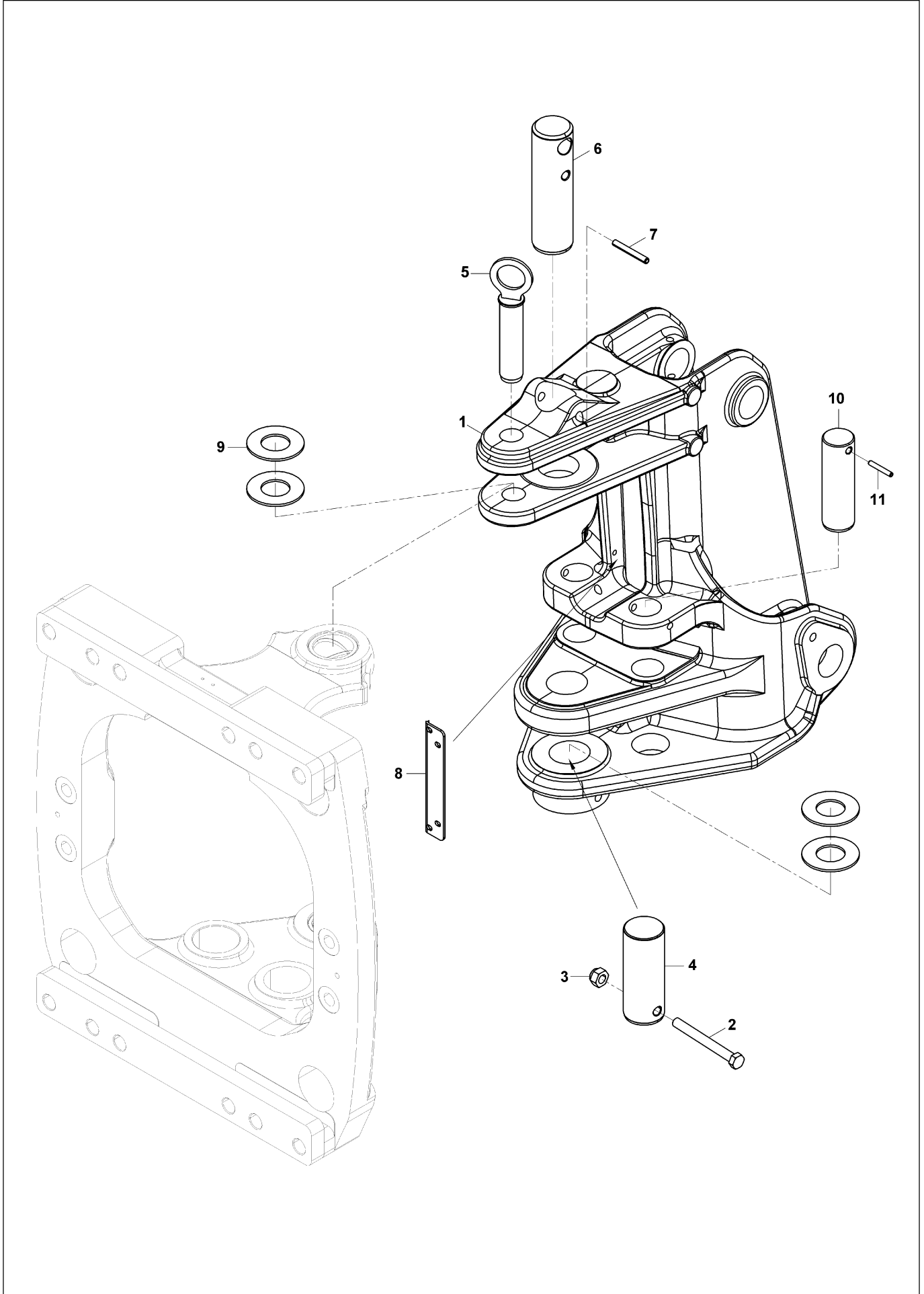
KIZAK PAPUCU STABILIZER PADS



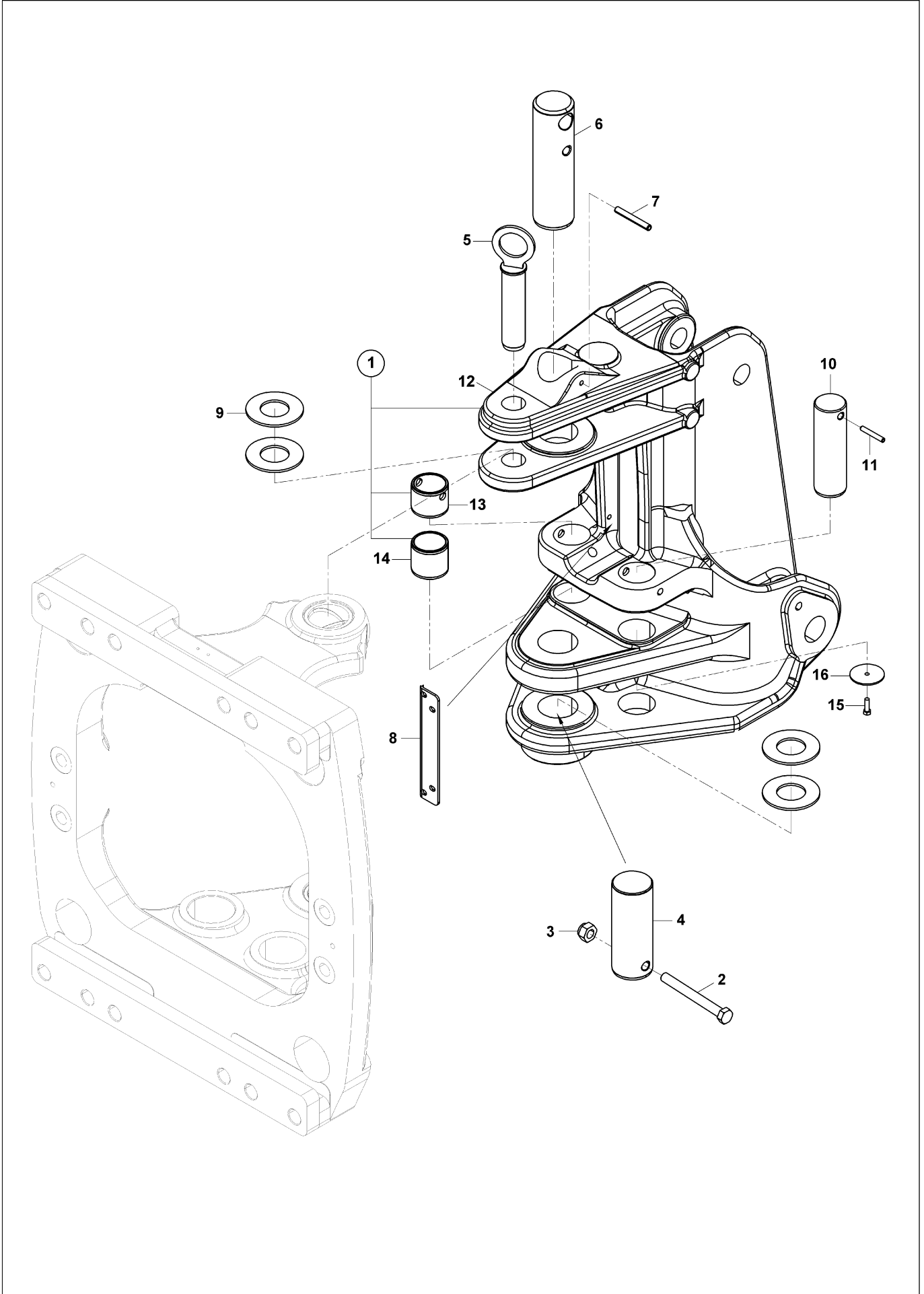
DÖNÜŞ TABLASI KINGPOST CARRIAGE



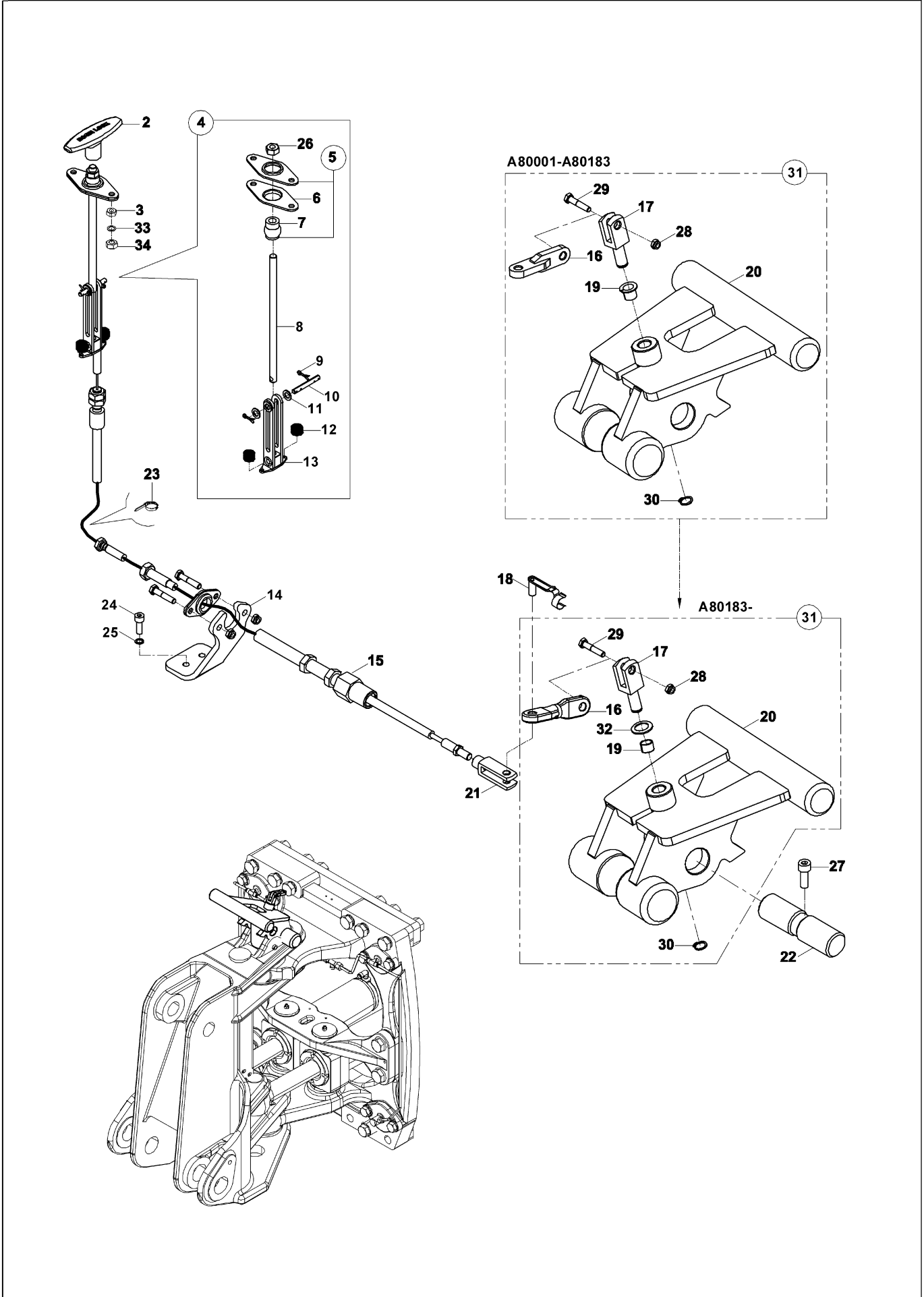
DÖNÜŞ KUTUSU KINGPOST



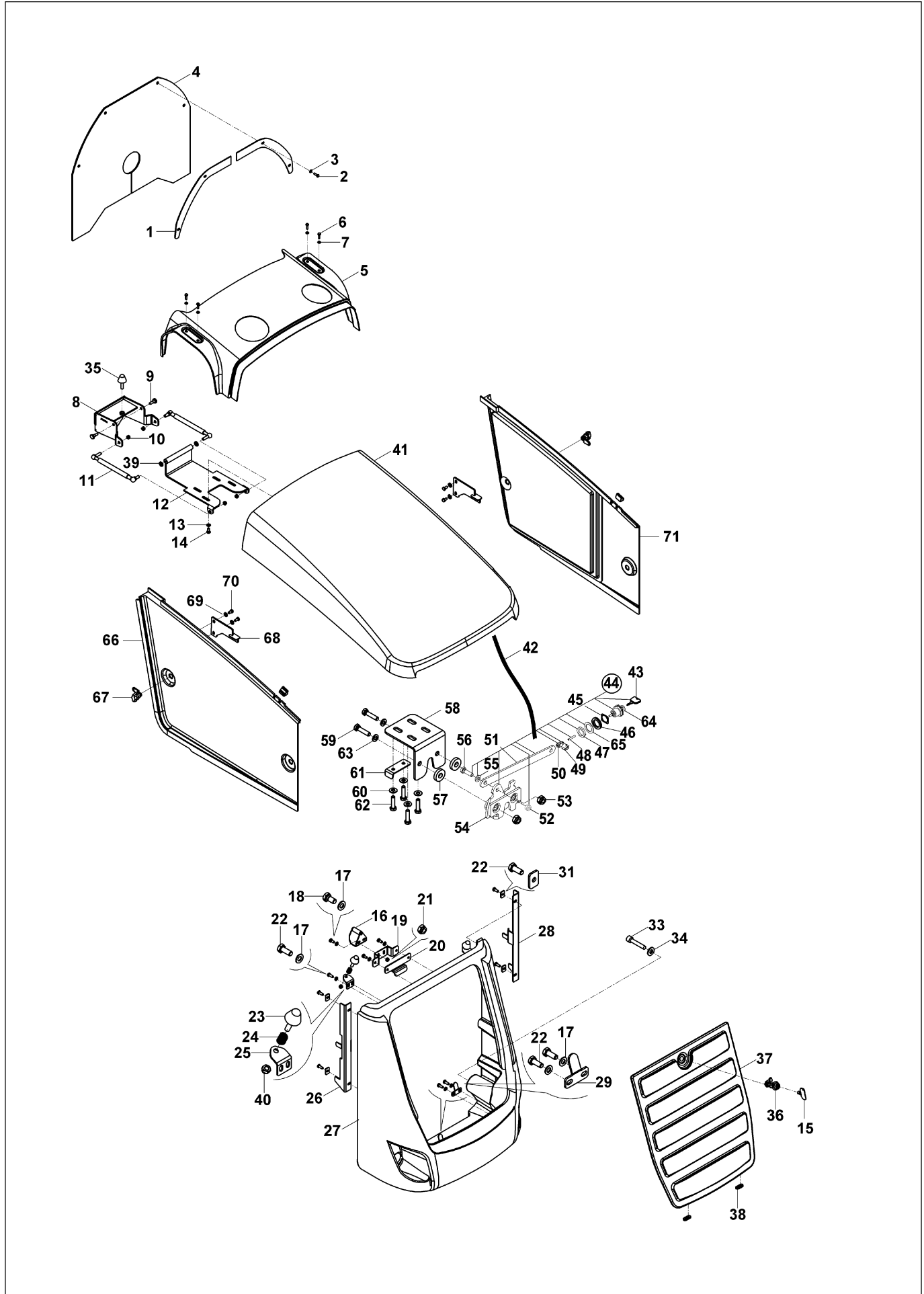
DÖNÜŞ KUTUSU KINGPOST



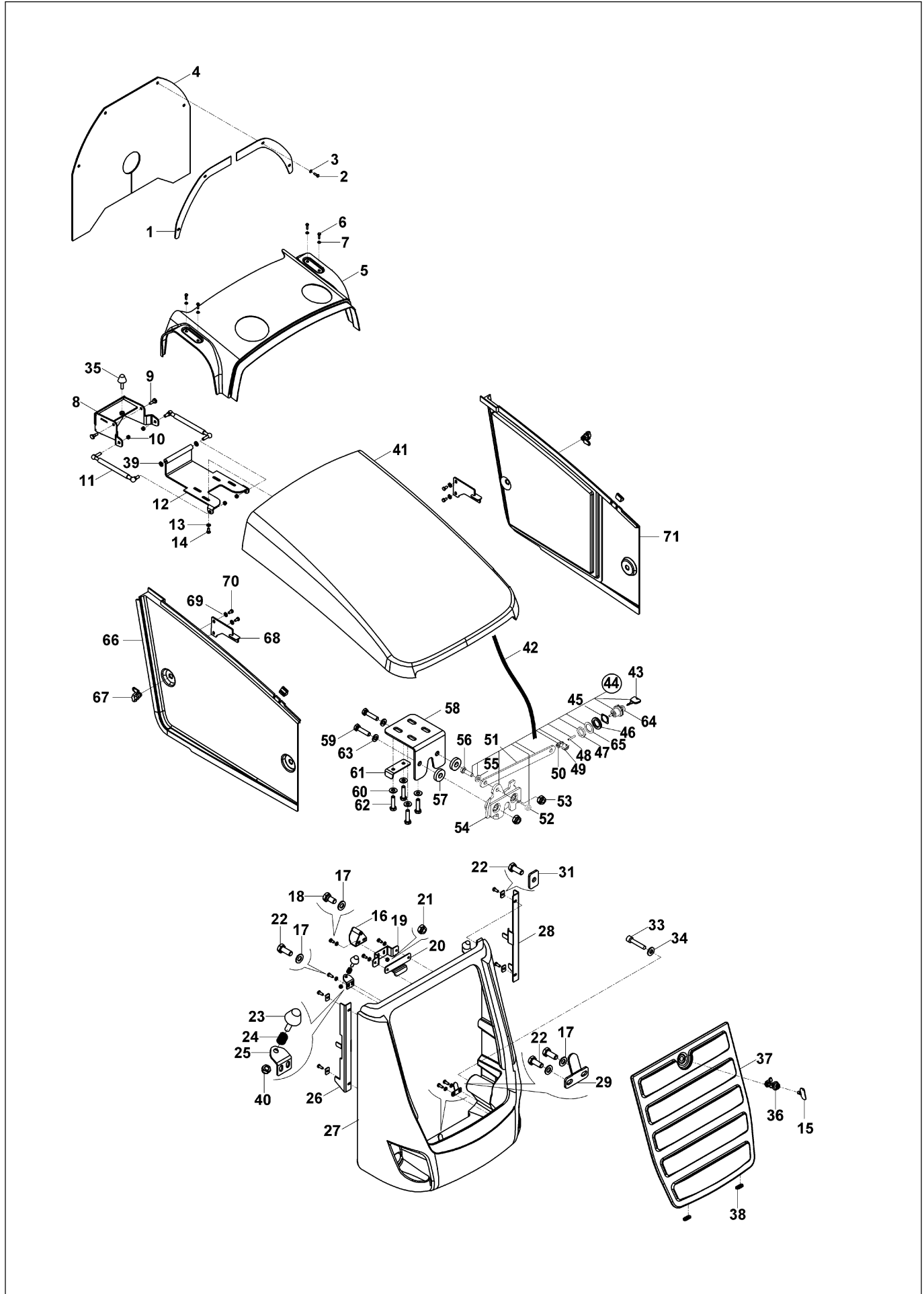
BOM KİLİDİ VE MEKANİZMASI BOOM LOCK AND MECHANISM



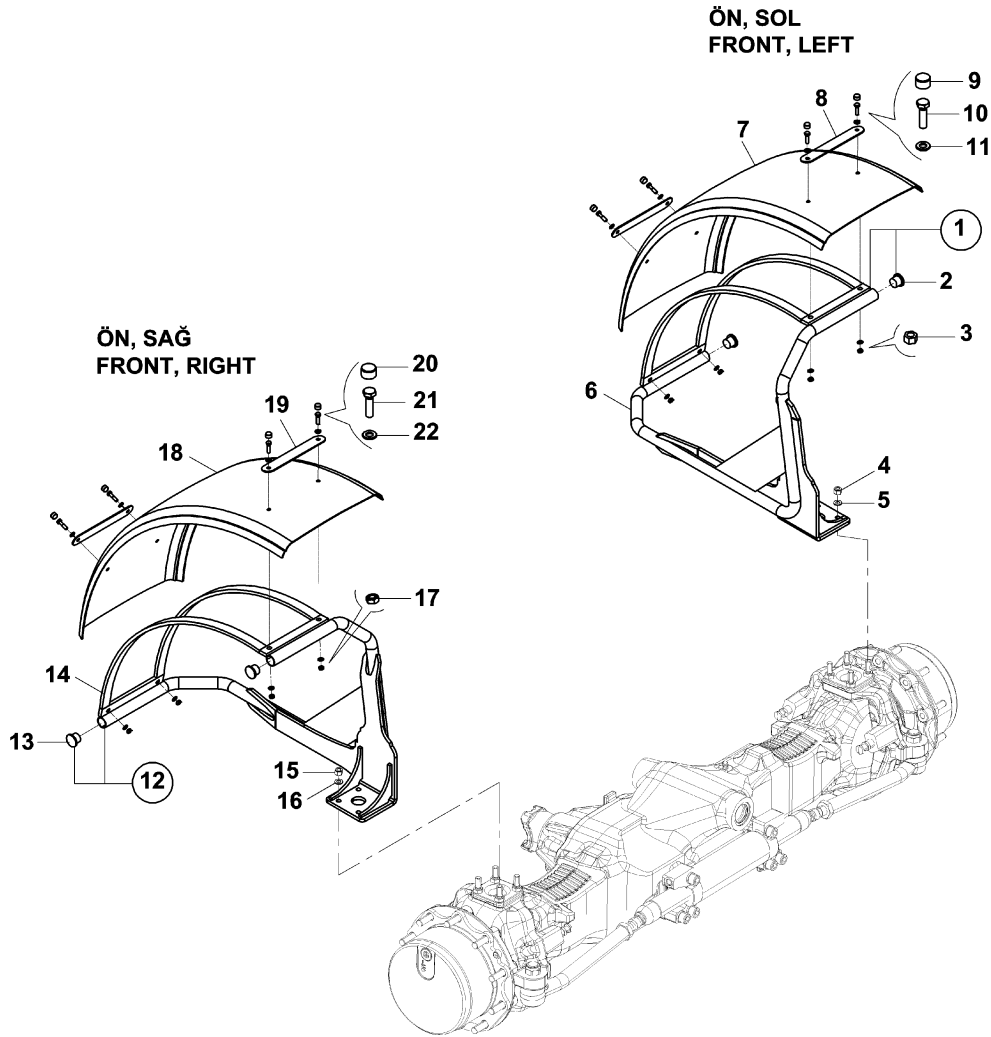
KAPUT- PANEL- PANJUR- YAN KAPAK MONTAJI
BONNET- PANEL- FRONT GRILL- SIDE COVER MOUNTING



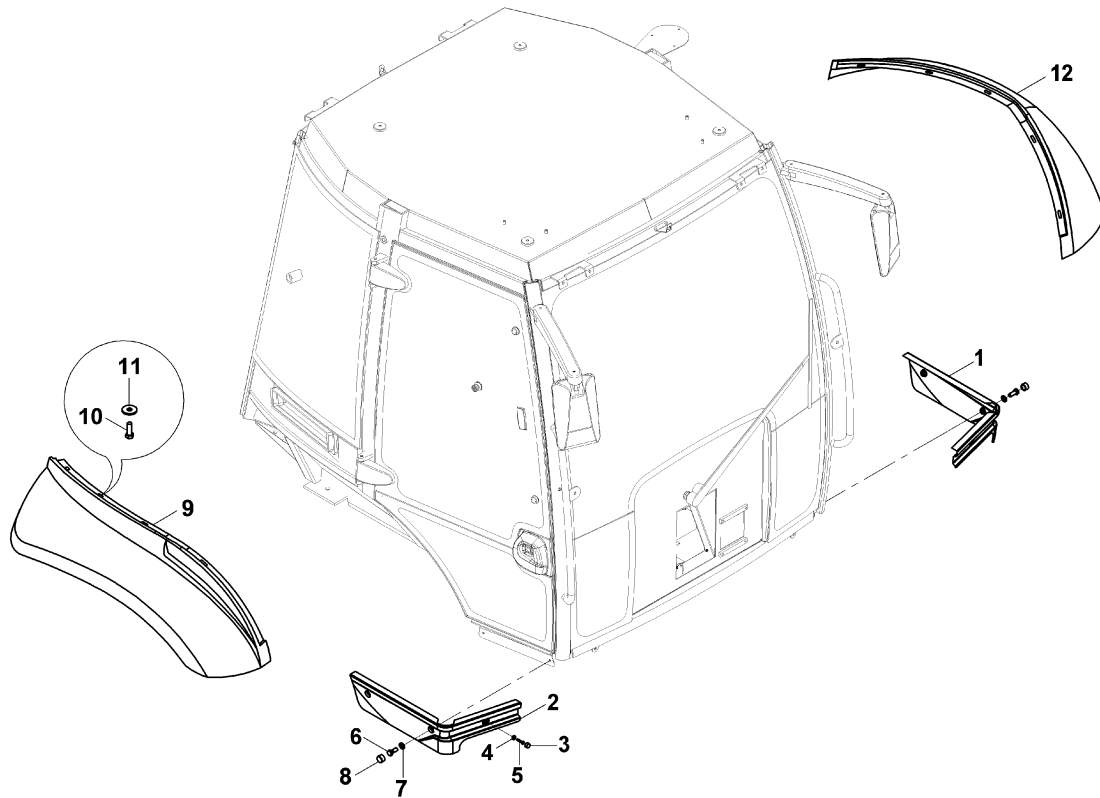
KAPUT- PANEL- PANJUR- YAN KAPAK MONTAJI
BONNET- PANEL- FRONT GRILL- SIDE COVER MOUNTING



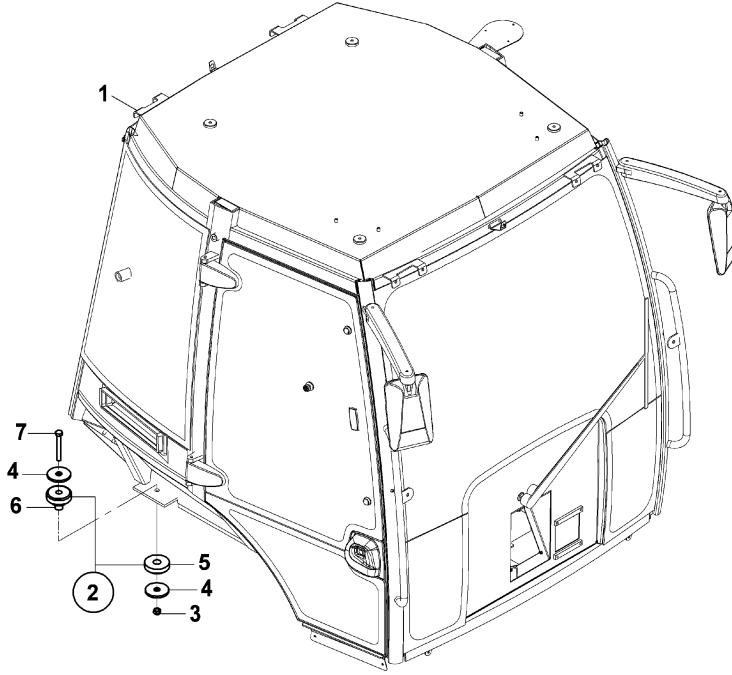
ÇAMURLUK, ÖN FENDER, FRONT



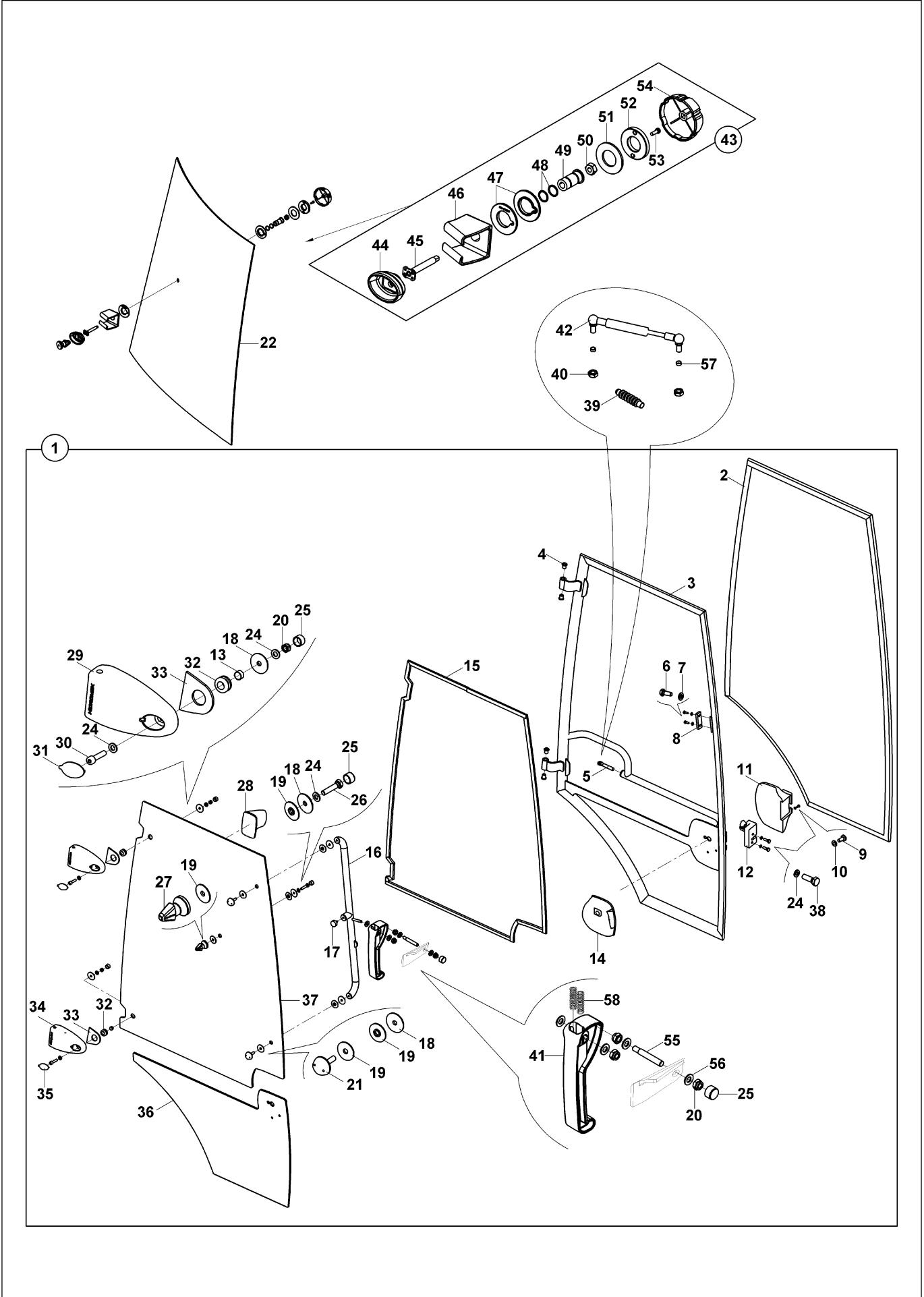
ÇAMURLUK, ARKA FENDER, REAR



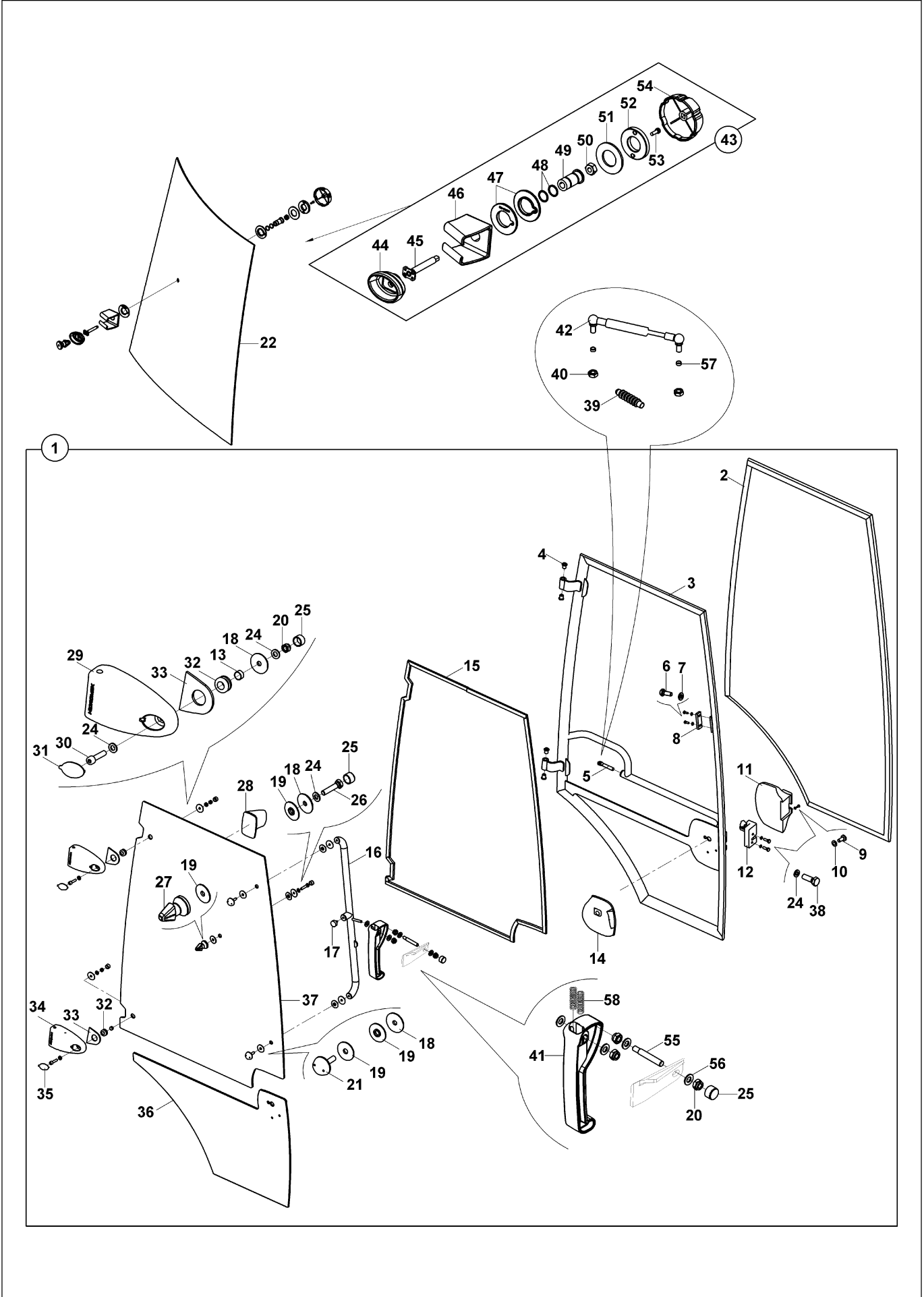
**KABİN VE BAĞLANTI TAKOZLARI
CAB & CAB MOUNTING**



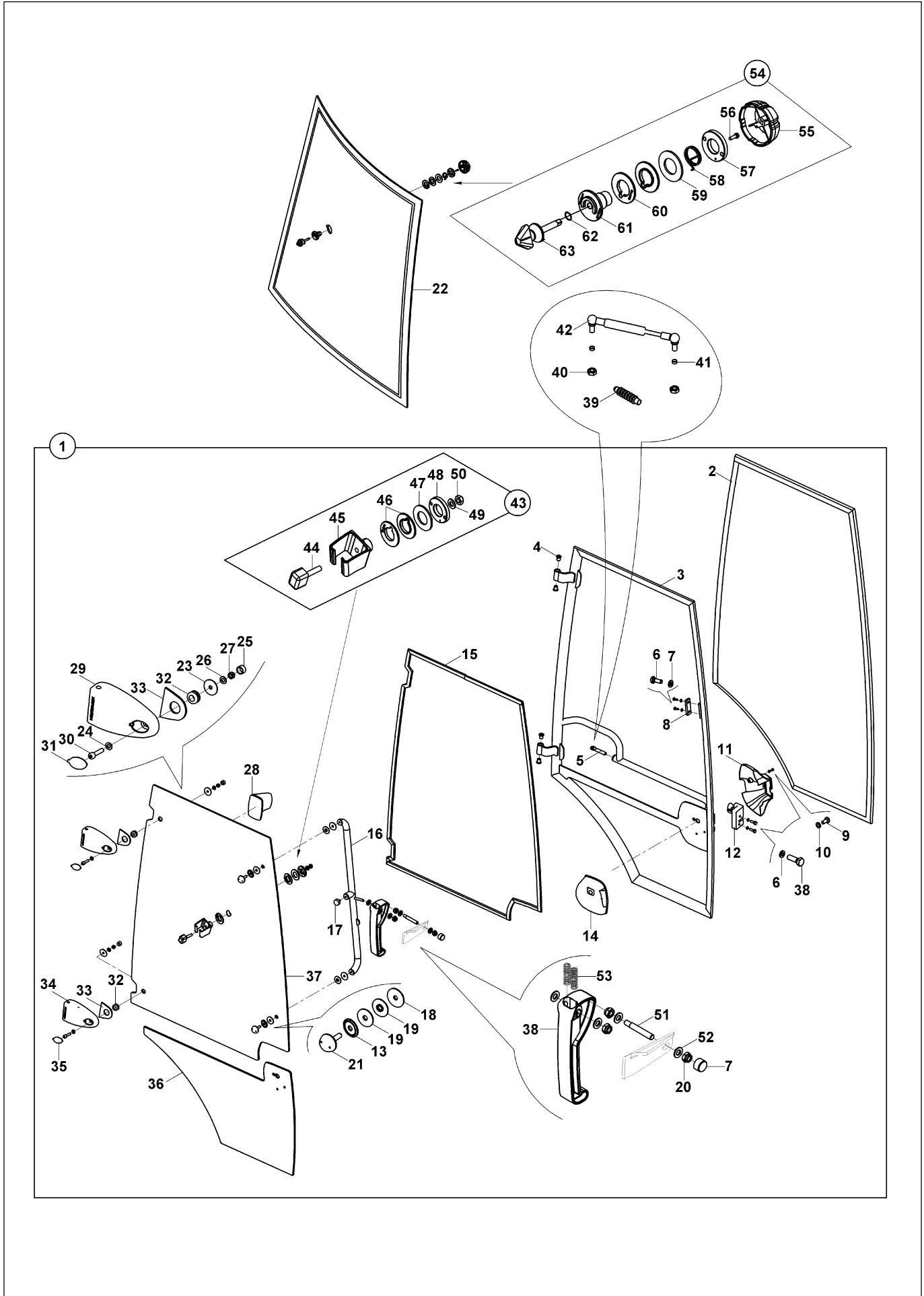
KAPI VE CAMLAR, SAĞ DOOR AND WINDOW, RH



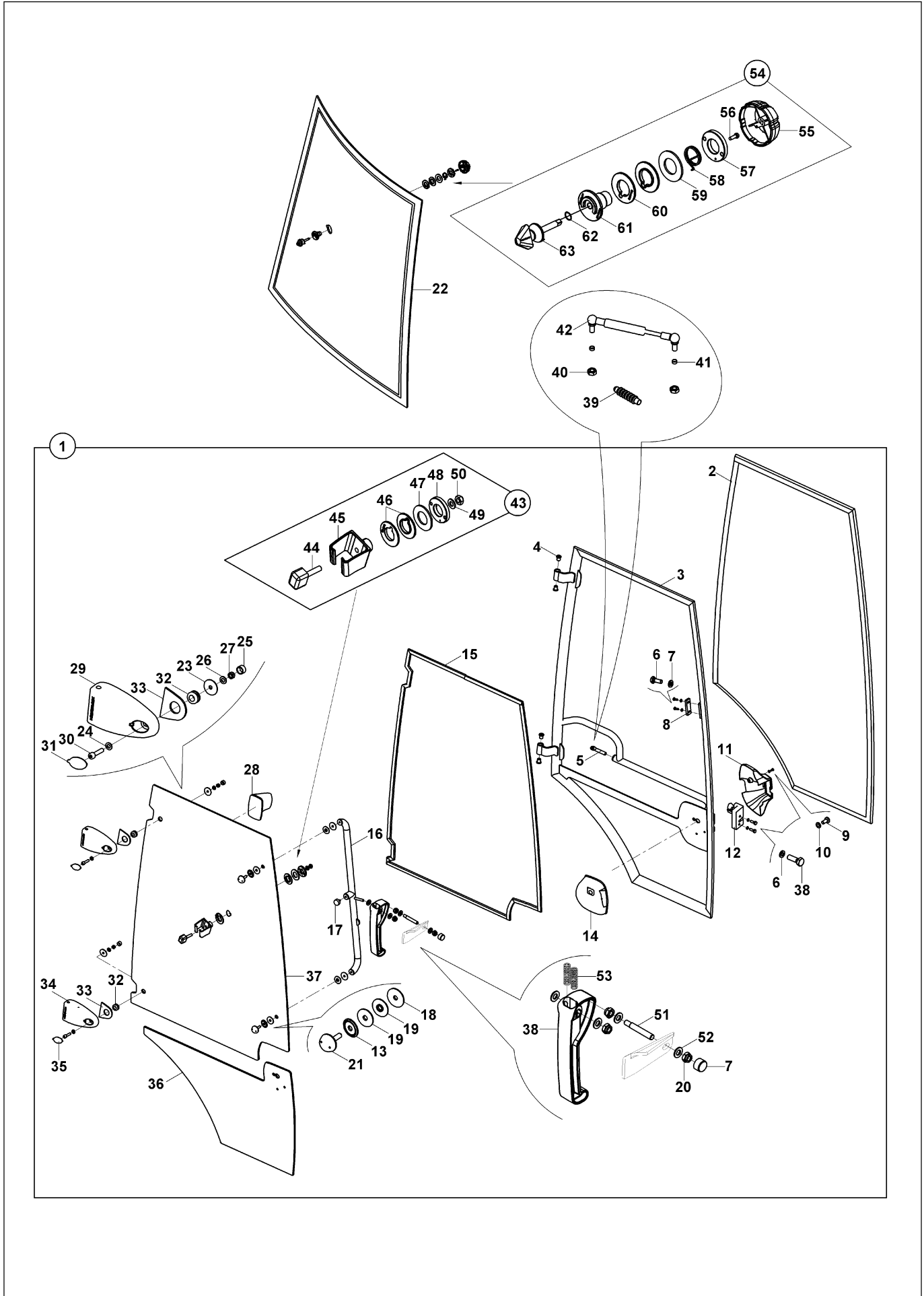
KAPI VE CAMLAR, SAĞ DOOR AND WINDOW, RH



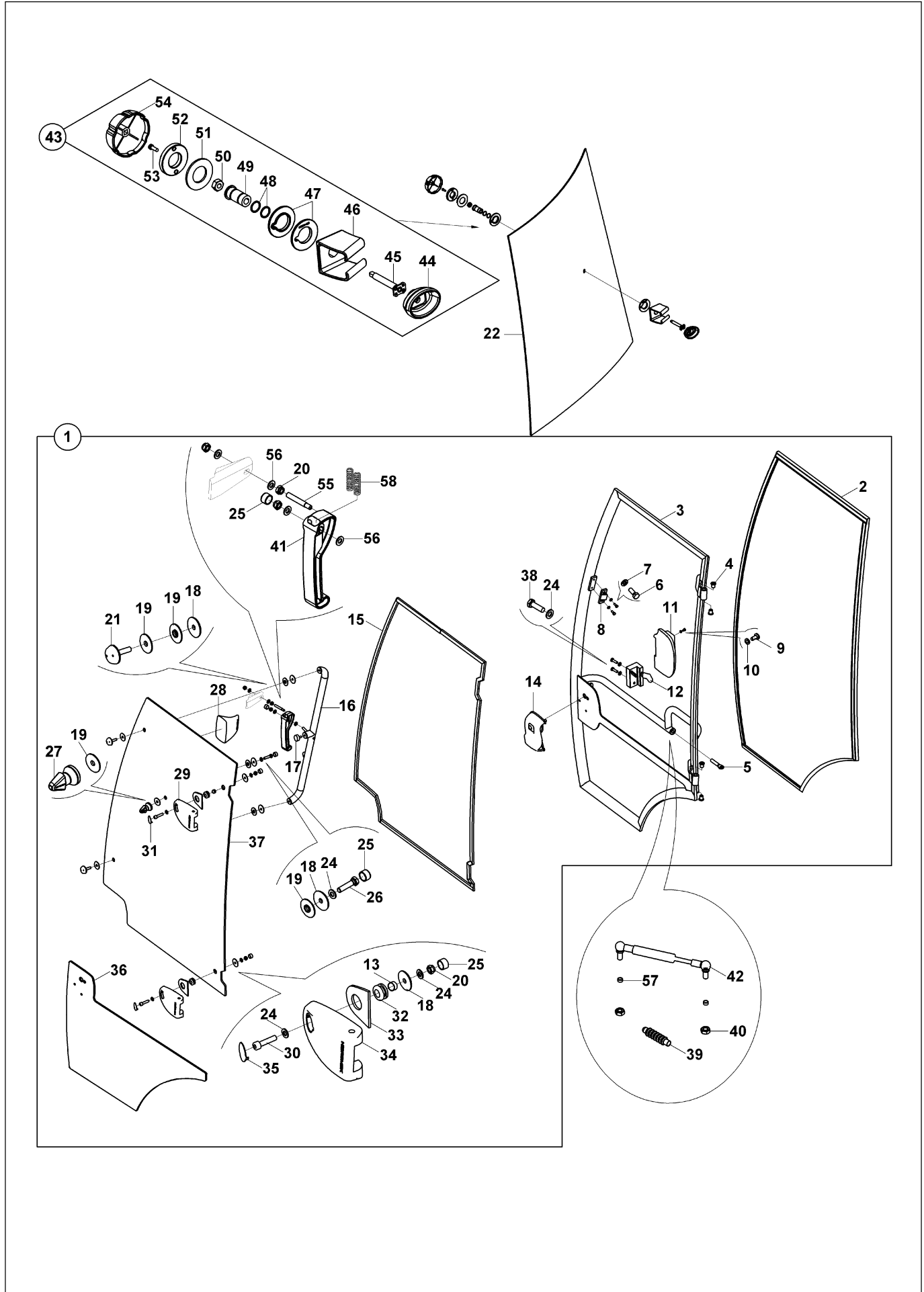
KAPI VE CAMLAR, SAĞ DOOR AND WINDOW, RH



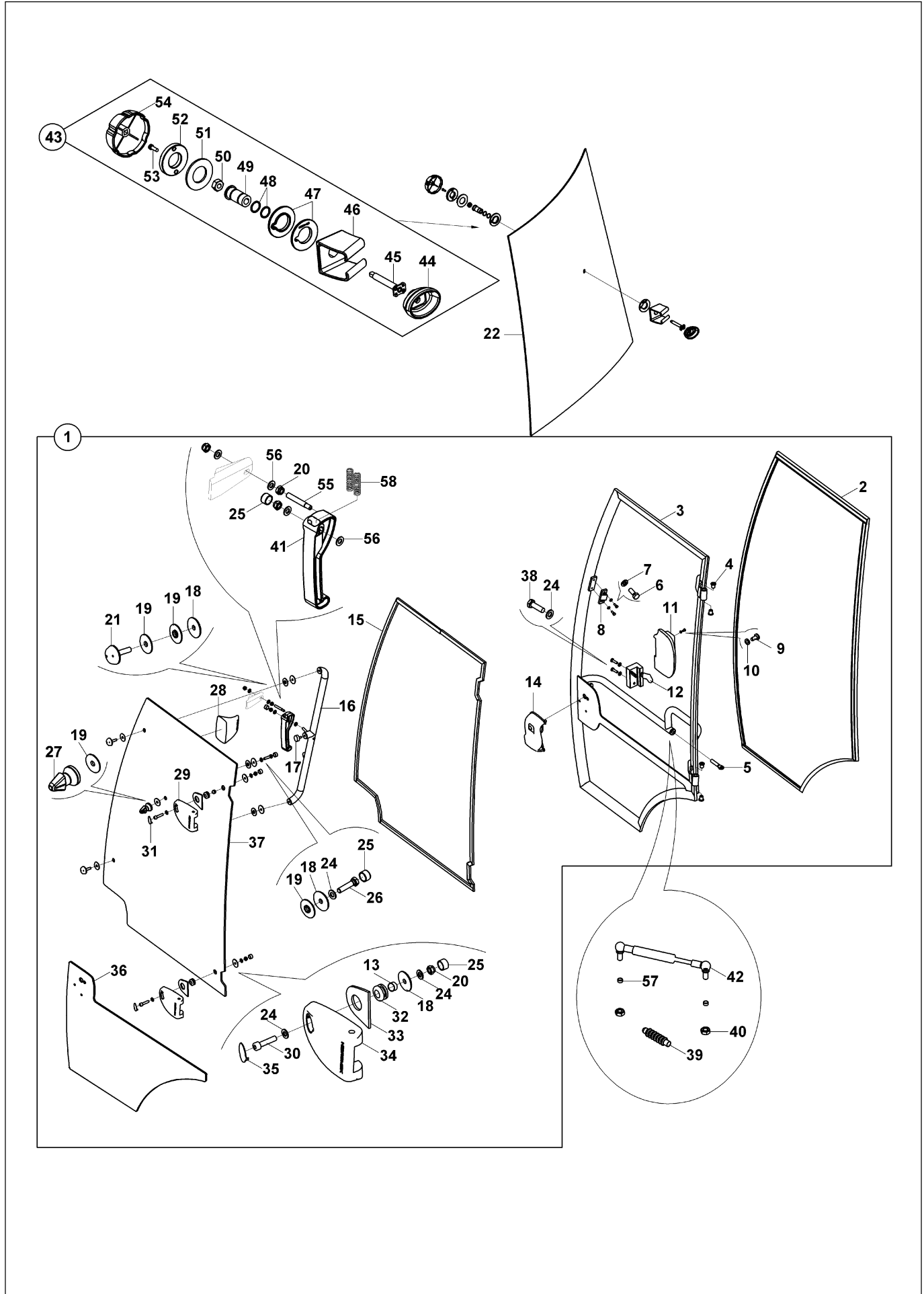
KAPI VE CAMLAR, SAĞ DOOR AND WINDOW, RH



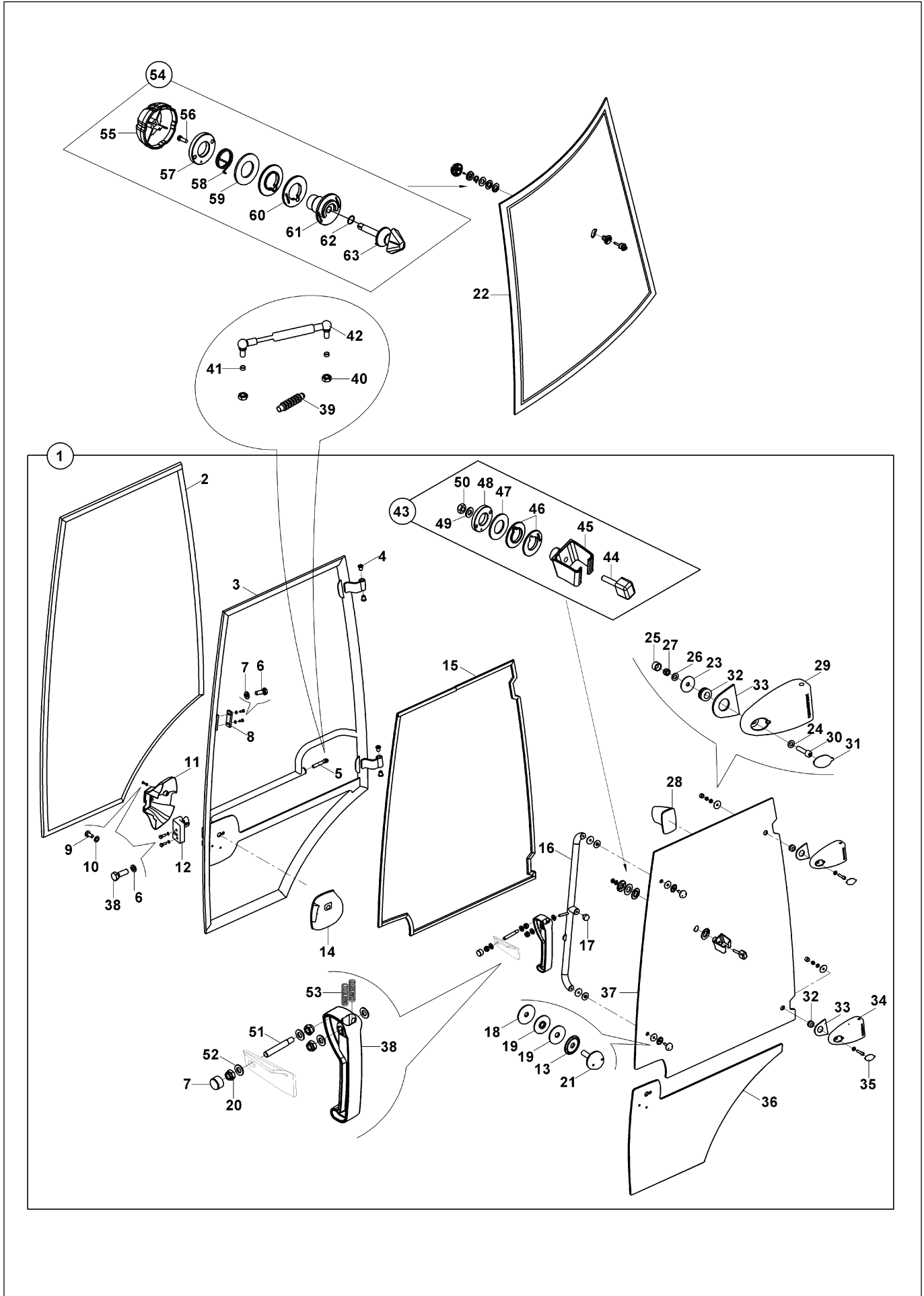
KAPI VE CAMLAR, SOL
DOOR AND WINDOW, LH



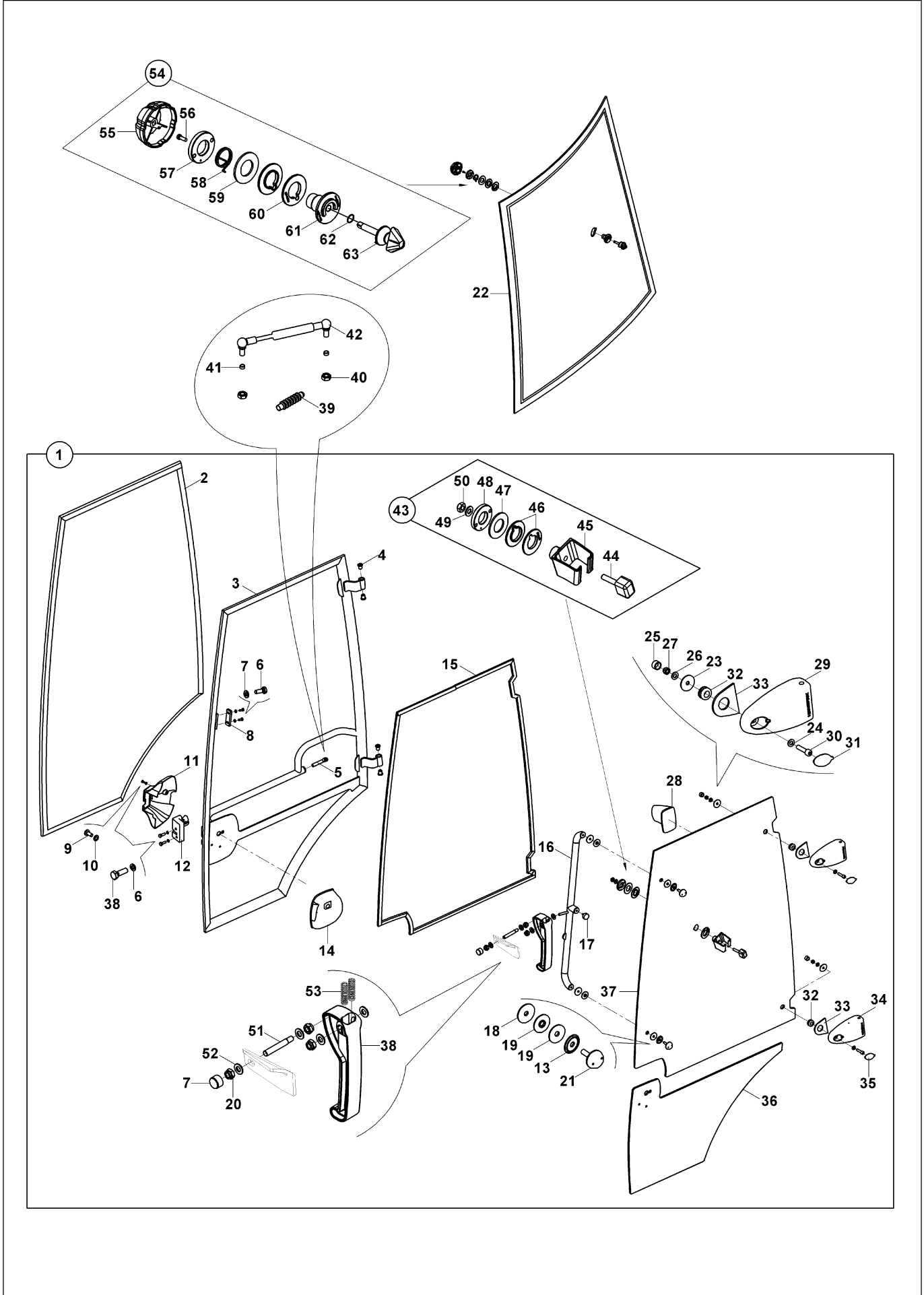
KAPI VE CAMLAR, SOL
DOOR AND WINDOW, LH



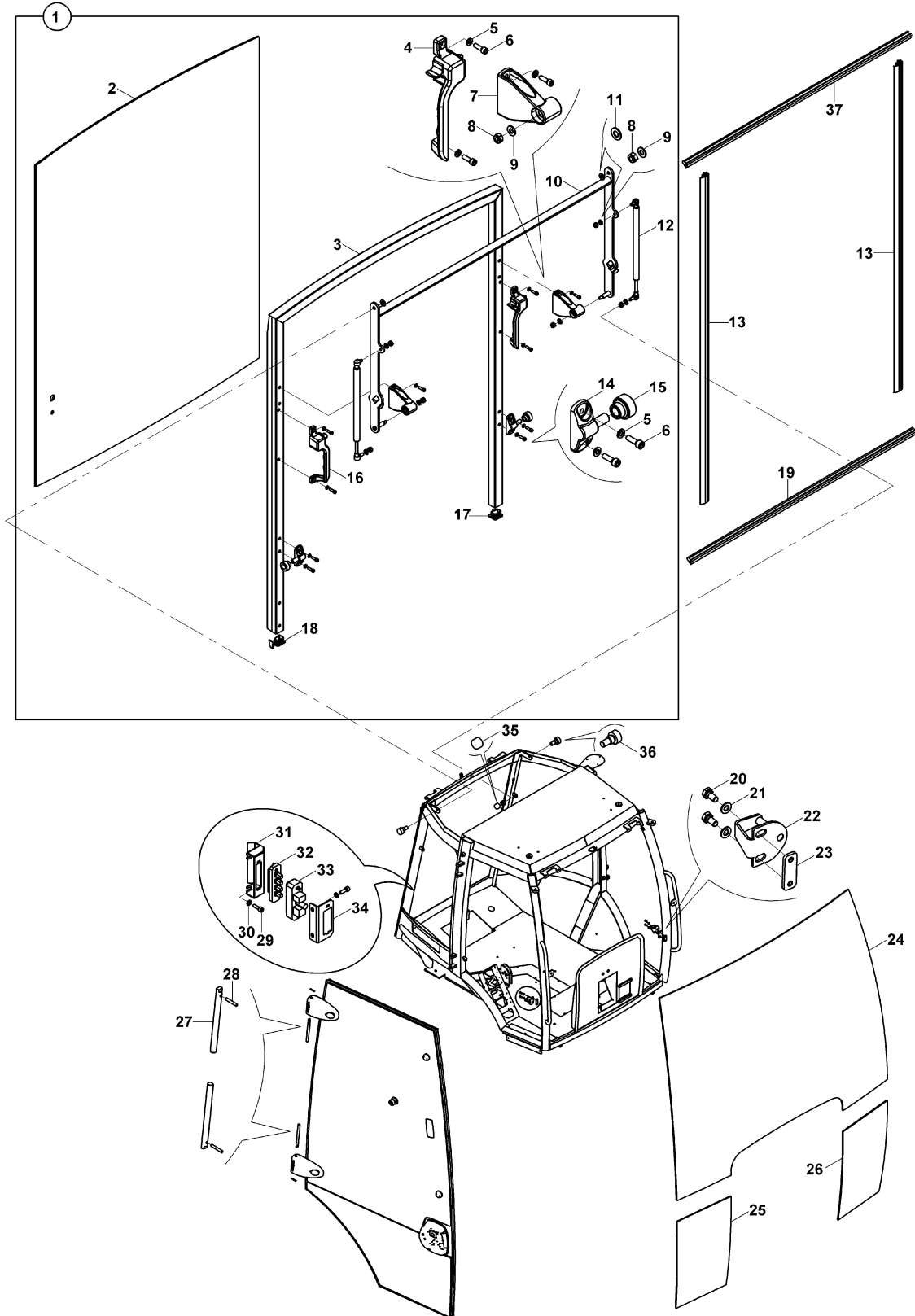
KAPI VE CAMLAR, SOL DOOR AND WINDOW, LH



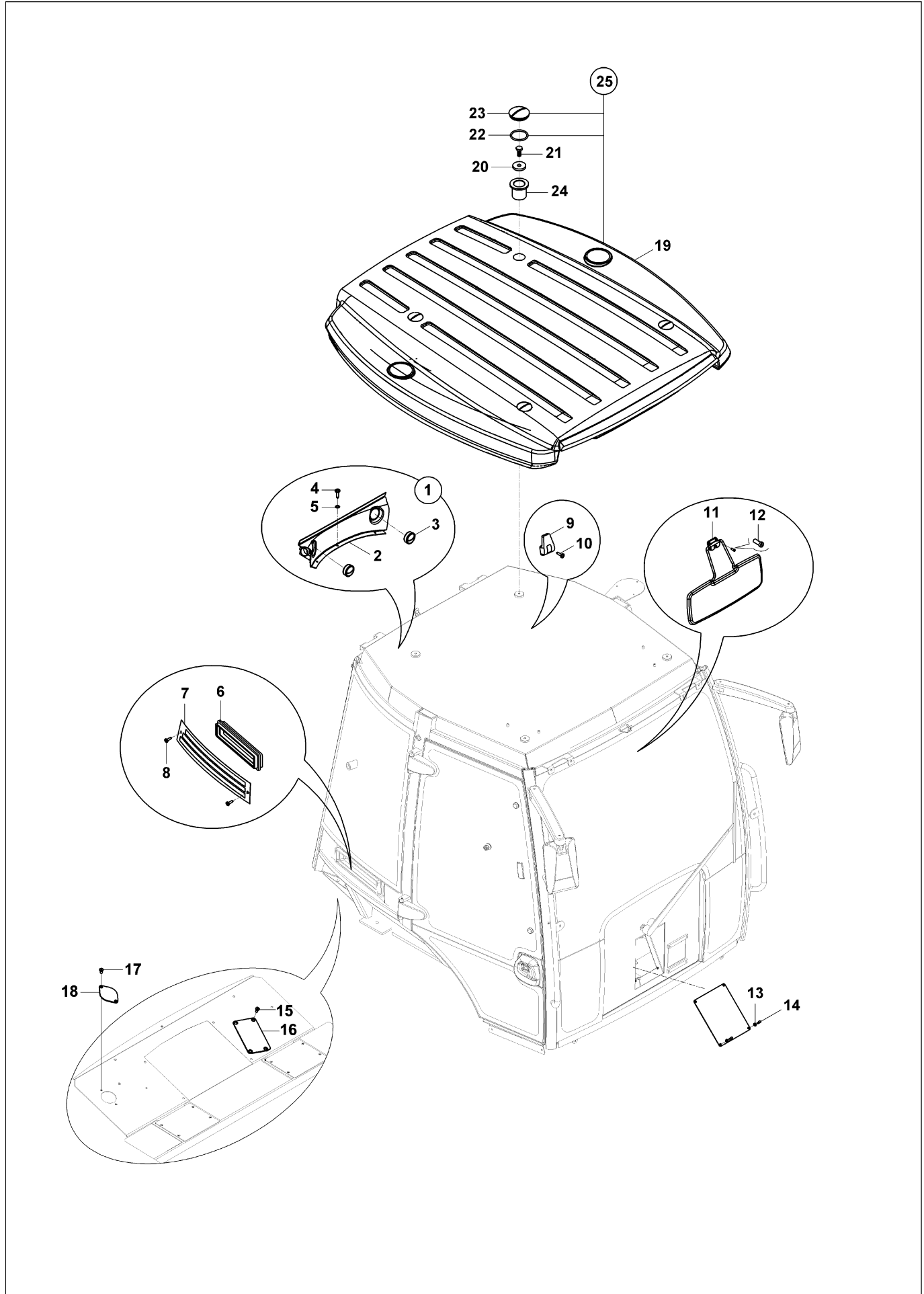
KAPI VE CAMLAR, SOL DOOR AND WINDOW, LH

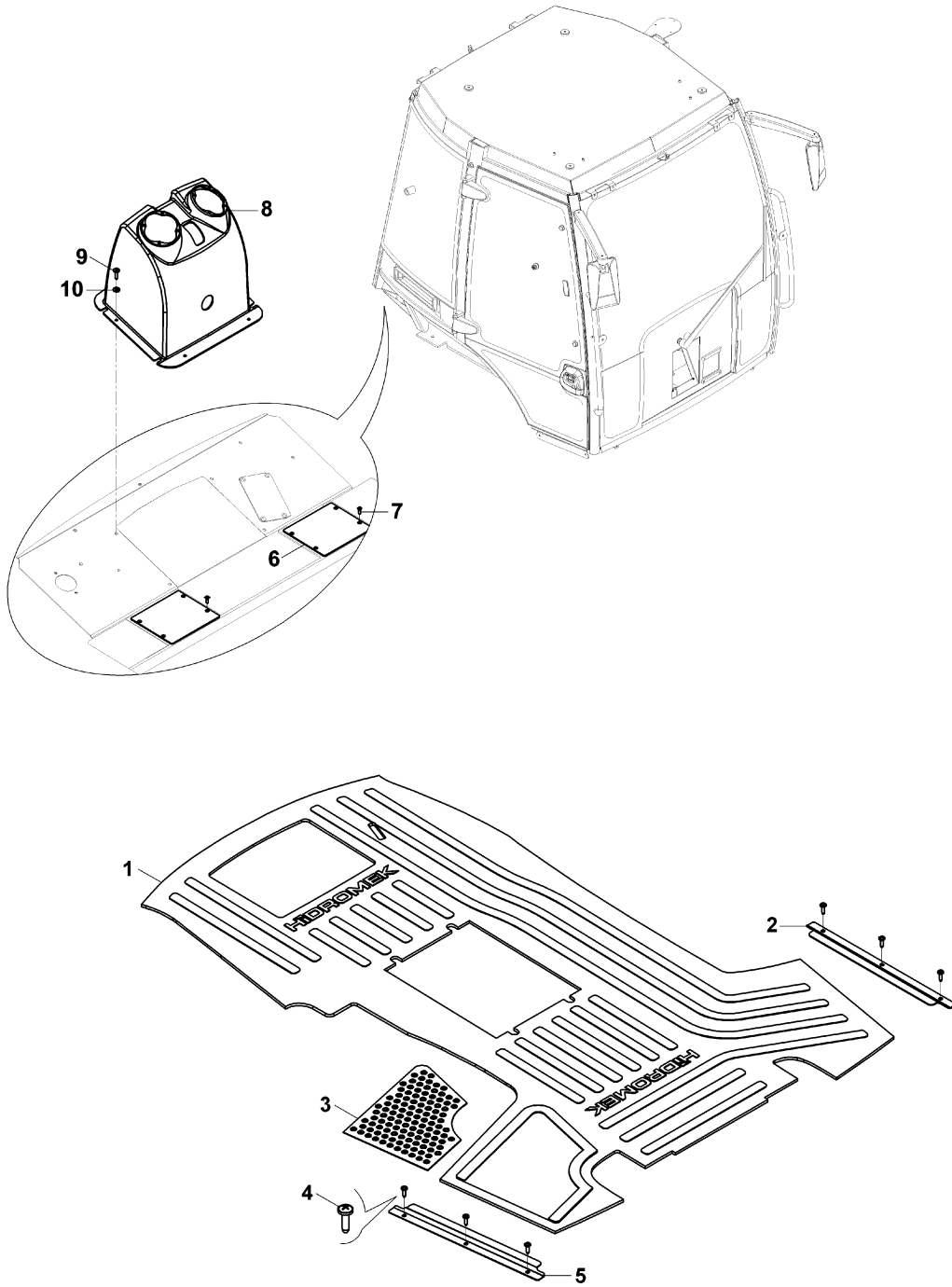


CAMLAR, ÖN - ARKA WINDOWS, FRONT - REAR

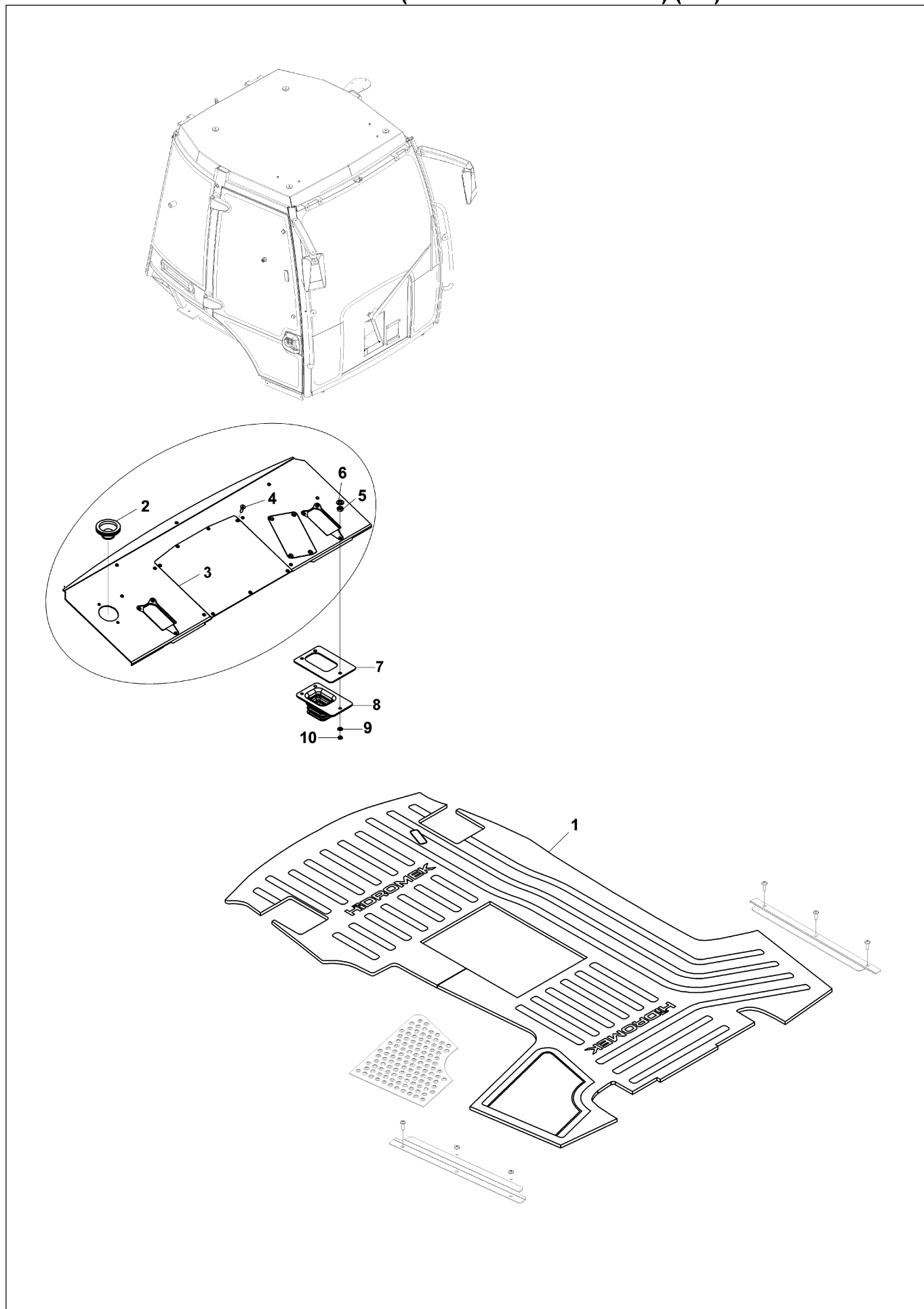


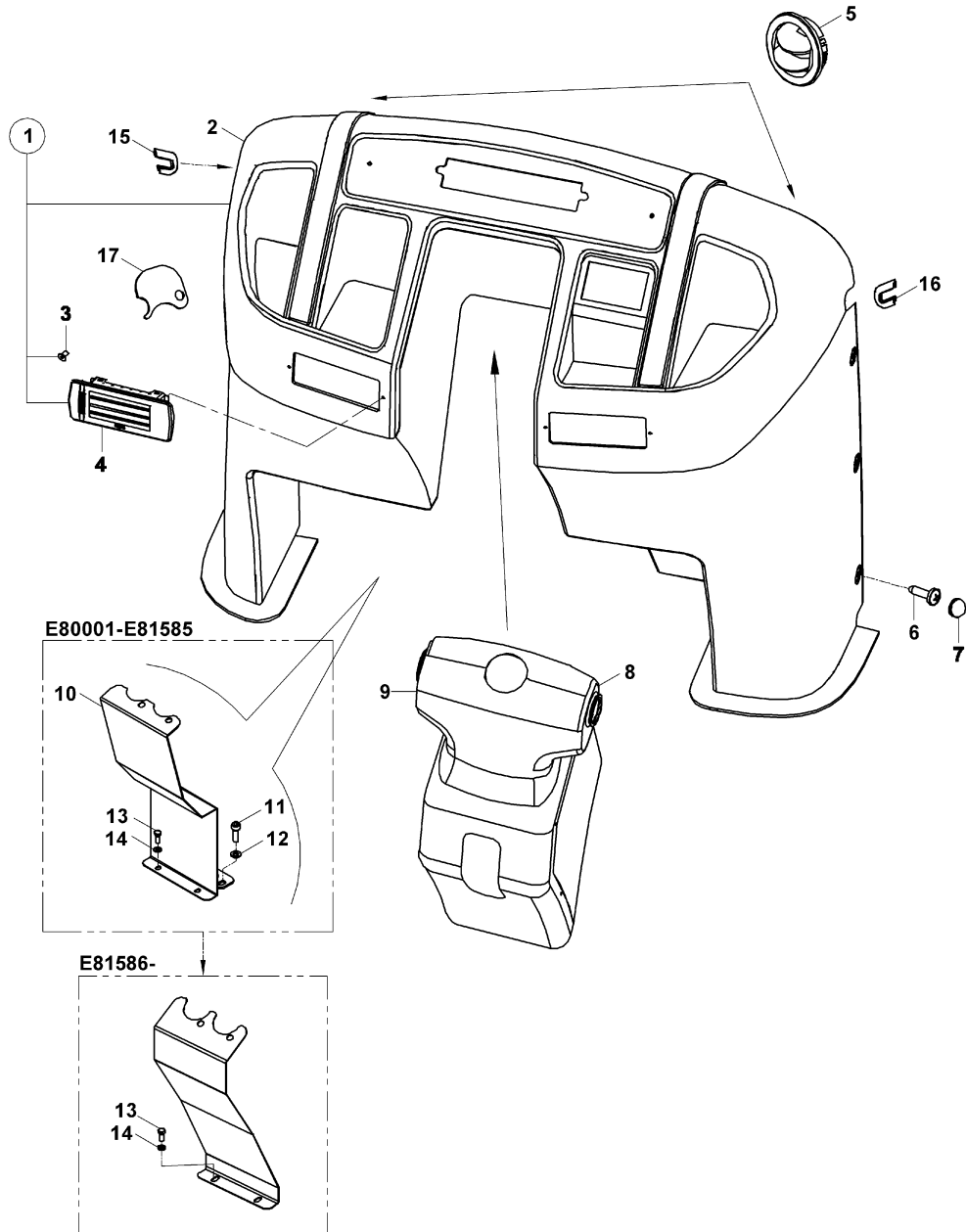
KABİN DONANIMI CAB ACCESSORIES



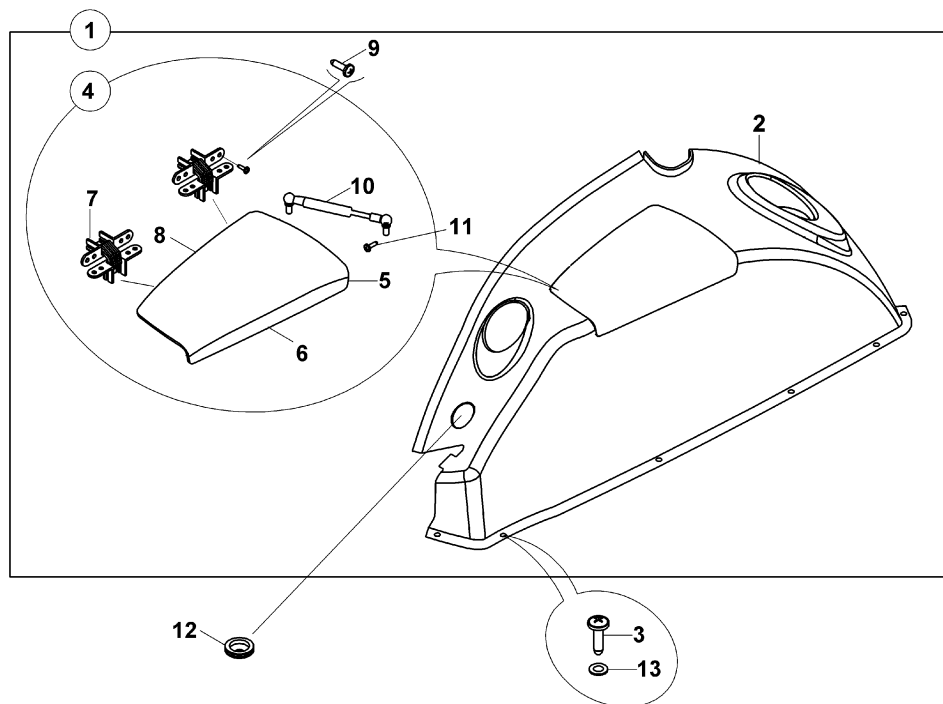
**KABİN (LEVYE MEKANİZMALI)
CAB (LEVERS MECHANISM)**

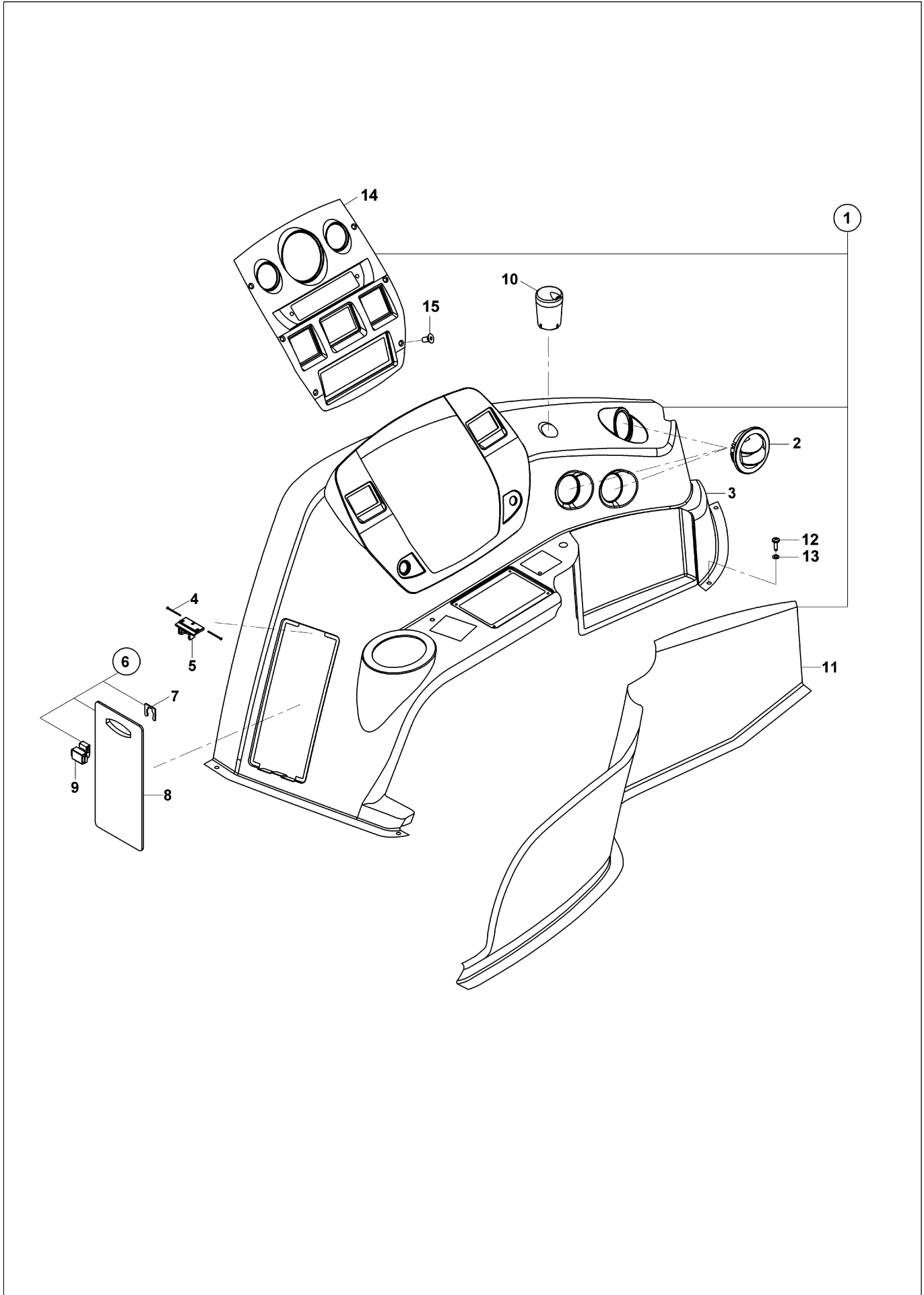
KABİN (JOYSTİK MEKANİZMALI) (OP)
OPERATOR CAB (JOYSTICK MECHANISM) (OP)



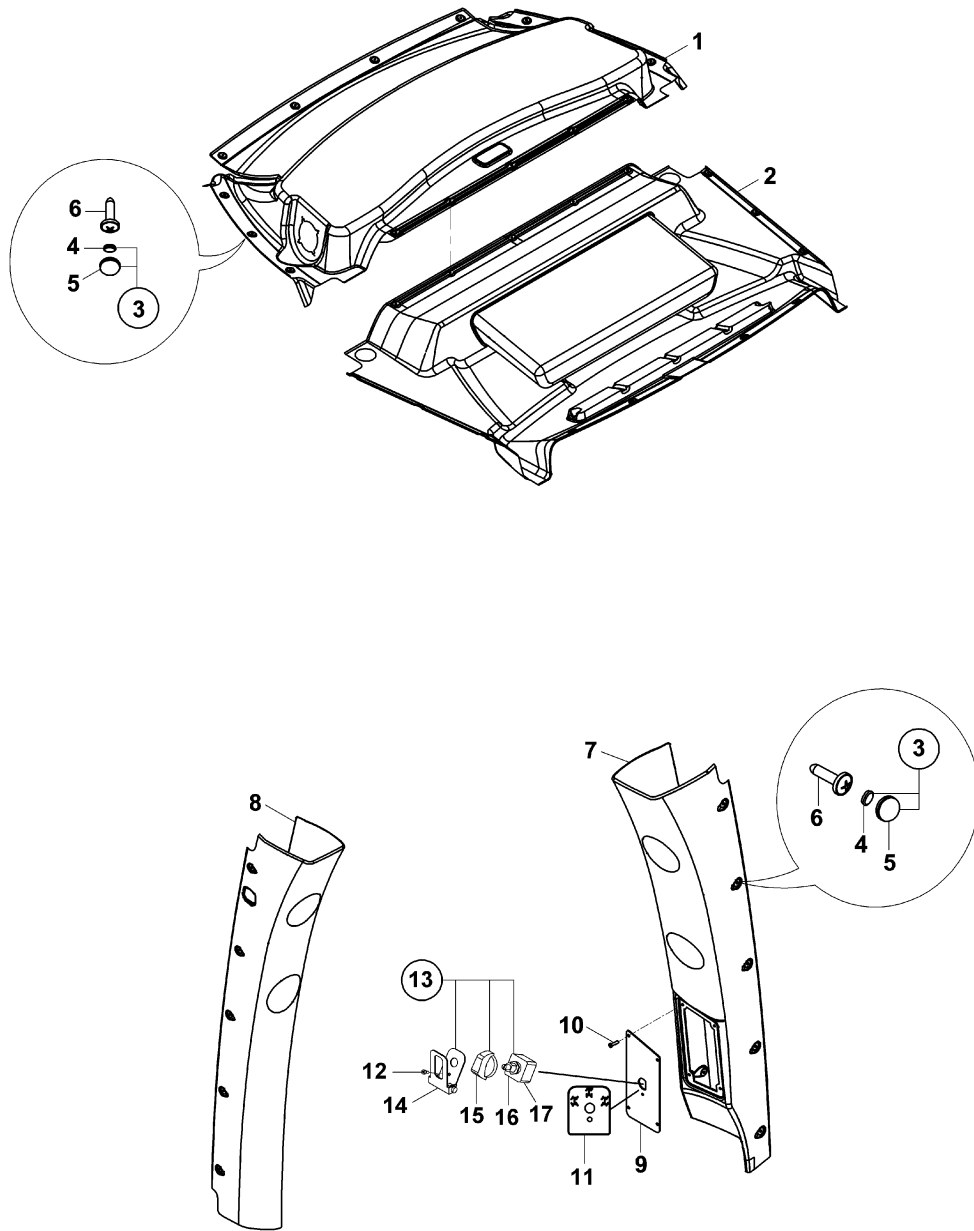
**İÇ TRİMLER, ÖN
INTERIOR, FRONT**

İÇ TRİMLER, SOL INTERIOR, LEFT

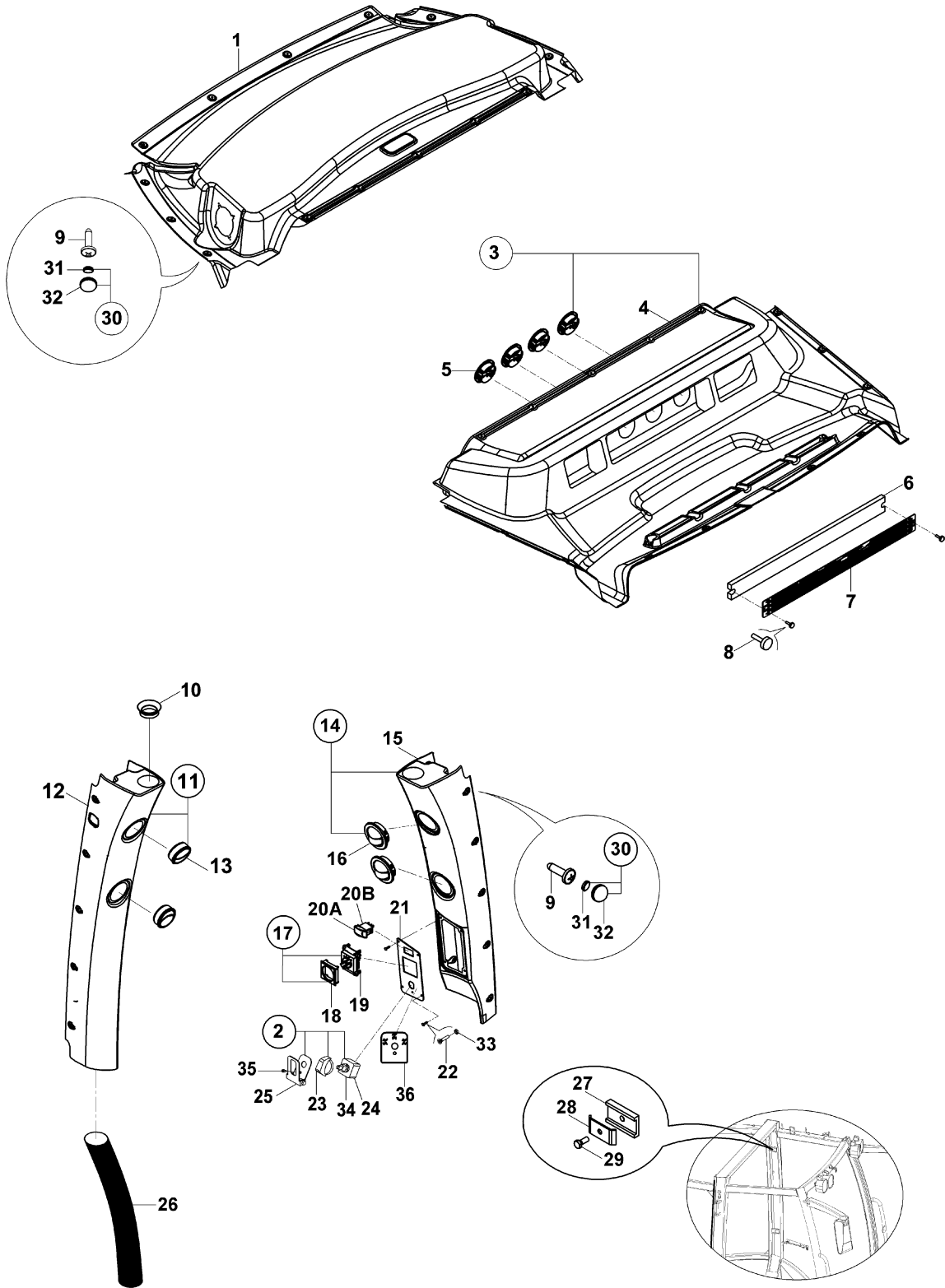


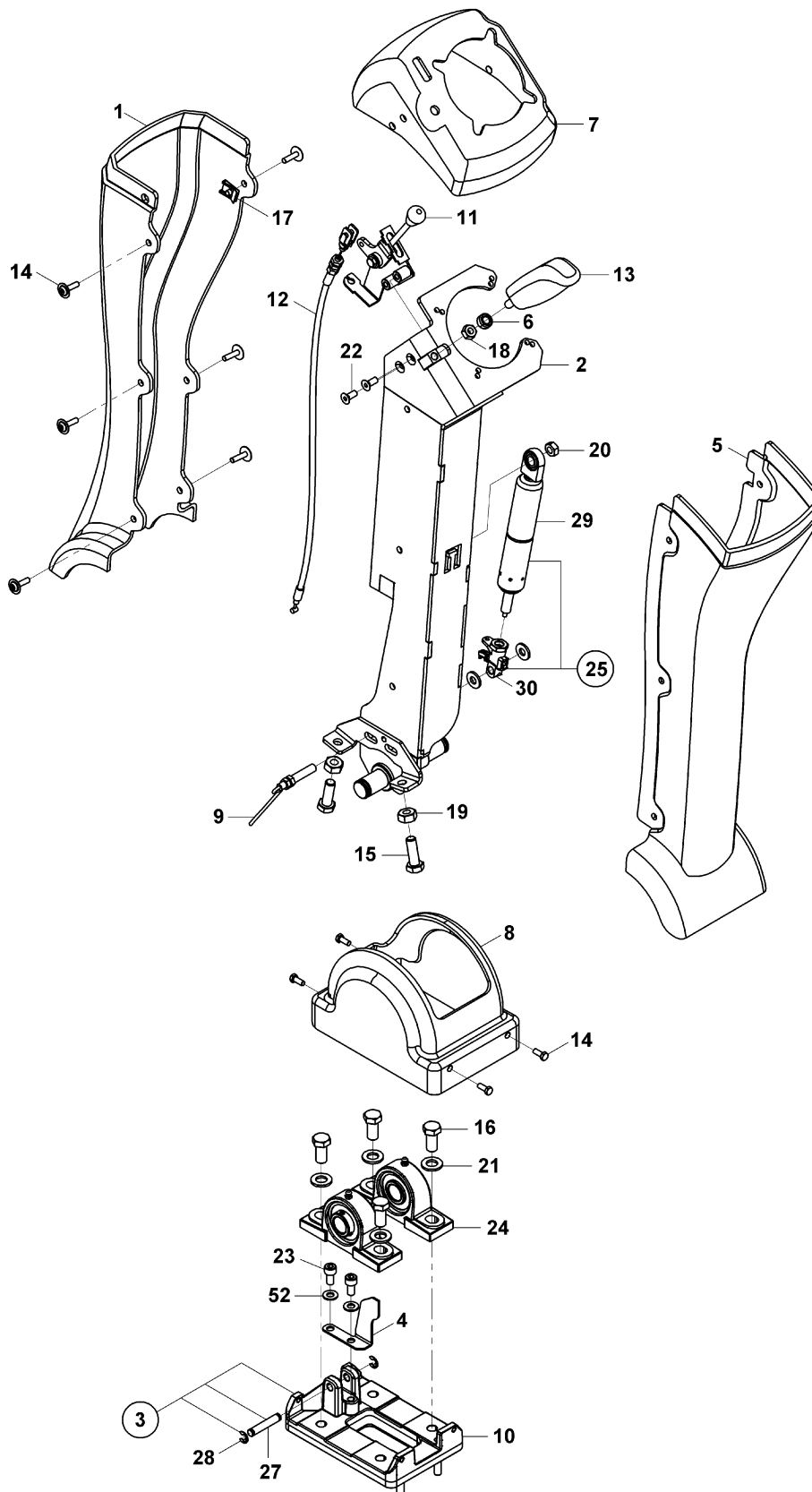
**İÇ TRİMLER, SAĞ
INTERIOR, RIGHT**

İÇ TAVAN VE YAN TRİMLER (KALORİFERLİ) INTERIOR HEADLINER AND SIDE COVERS (HEATER)

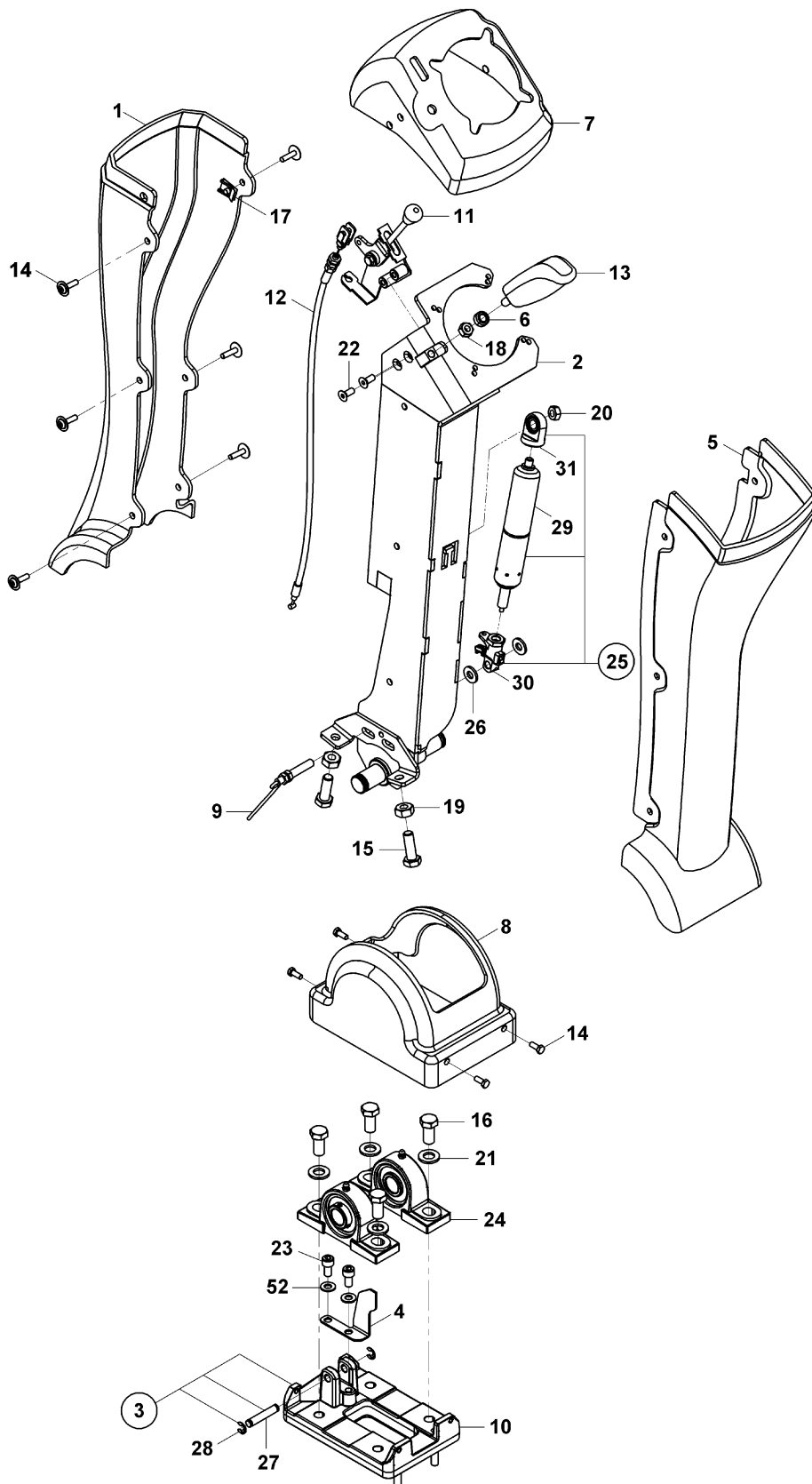


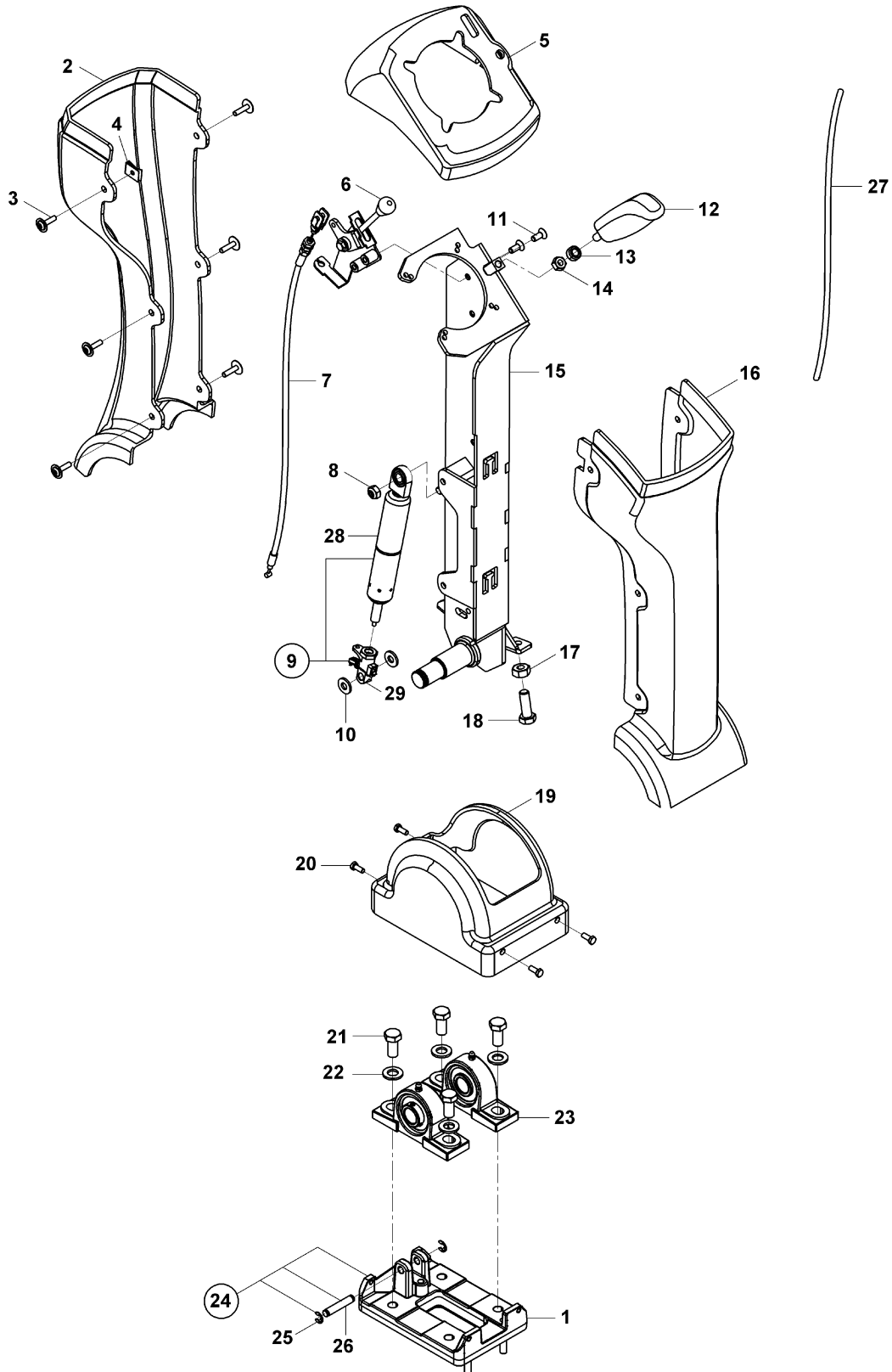
İÇ TAVAN VE YAN TRİMLER (KLİMALI) (OP)
 INTERIOR HEADLINER AND SIDE COVERS (AIR CONDITIONER) (OP)



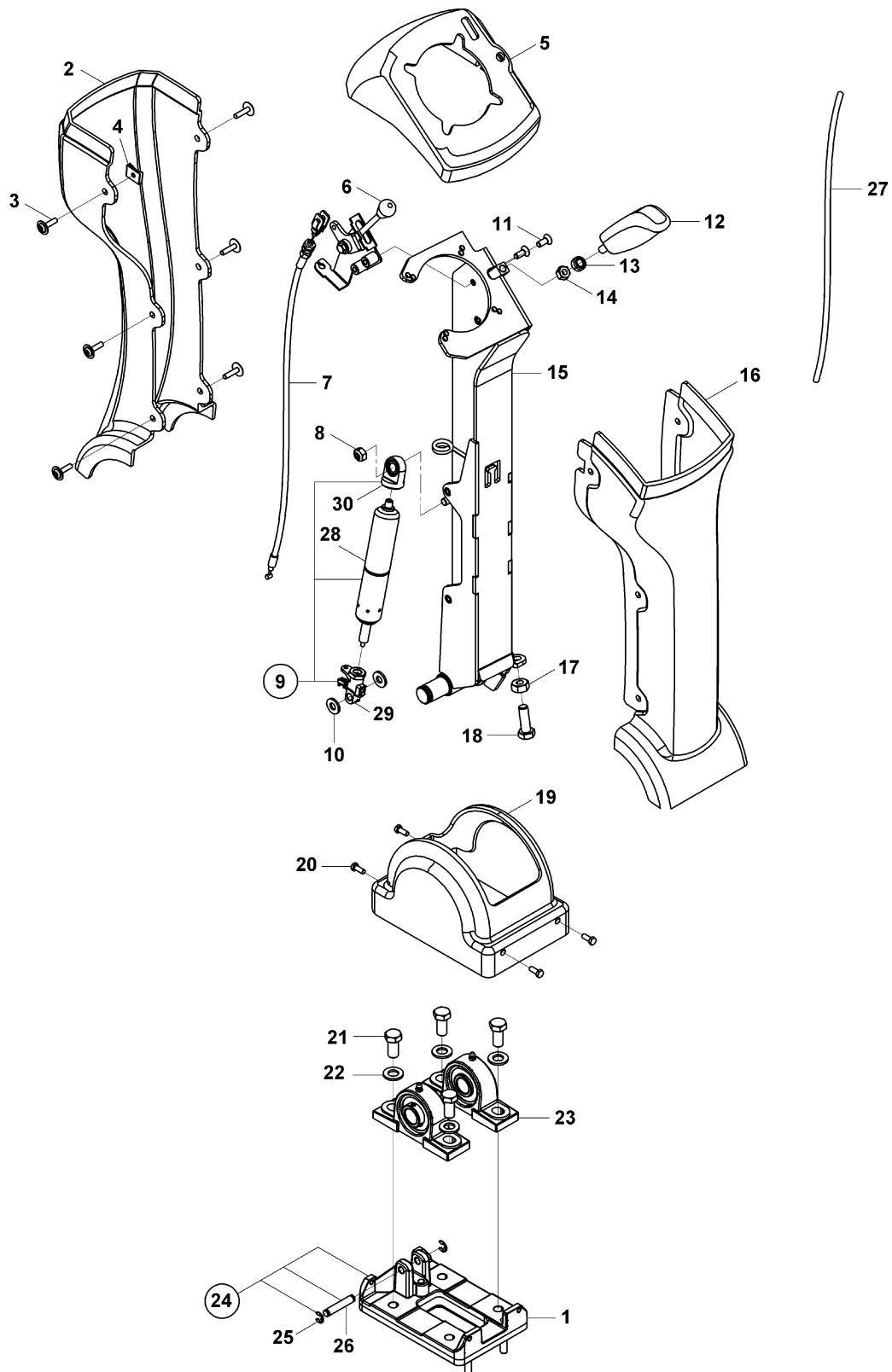
JOYSTICK MEKANİZMASI, SAĞ (OP)
JOYSTICK MECHANISM, RH (OP)

JOYSTİK MEKANİZMASI, SAĞ (OP)
JOYSTICK MECHANISM, RH (OP)

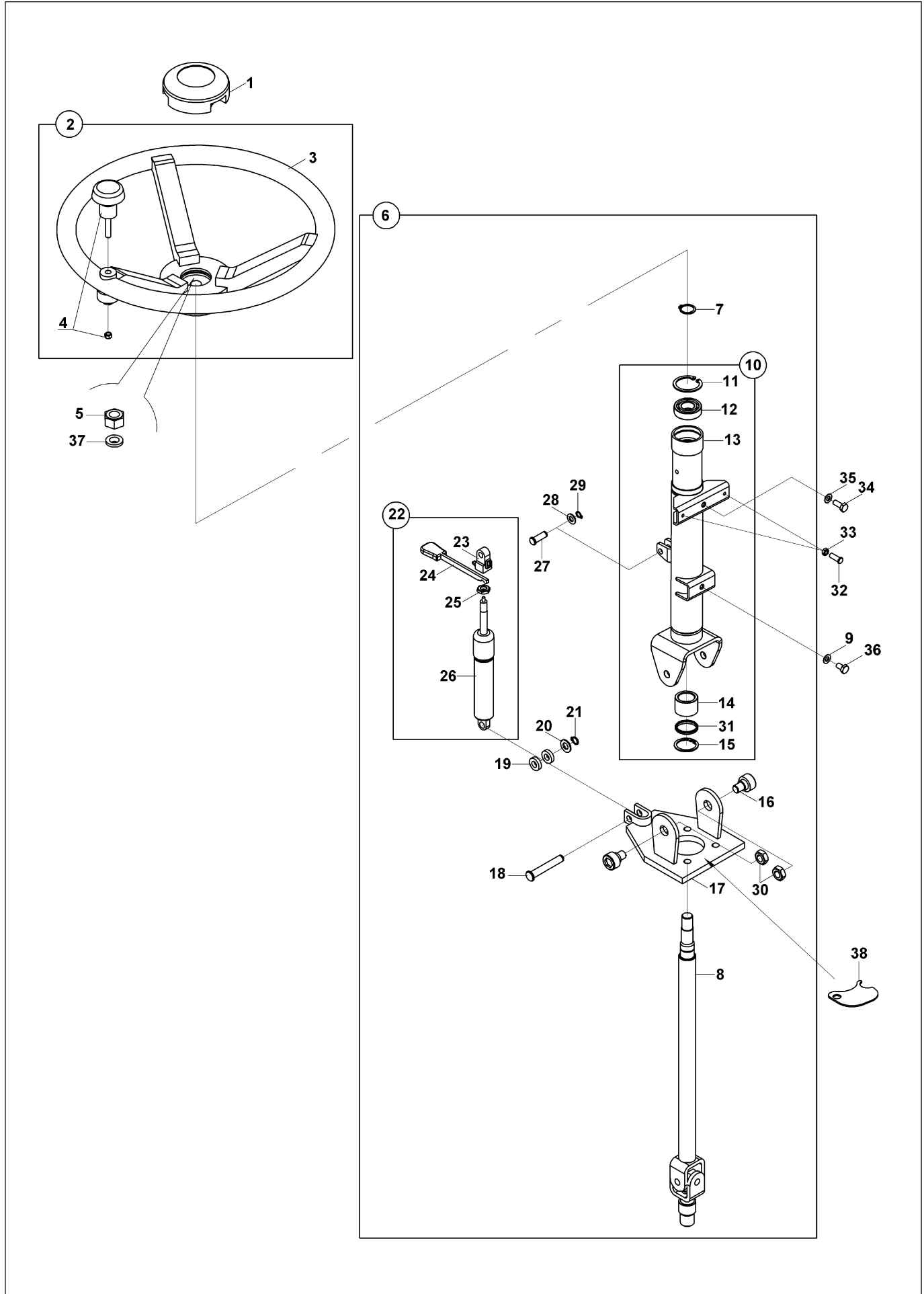


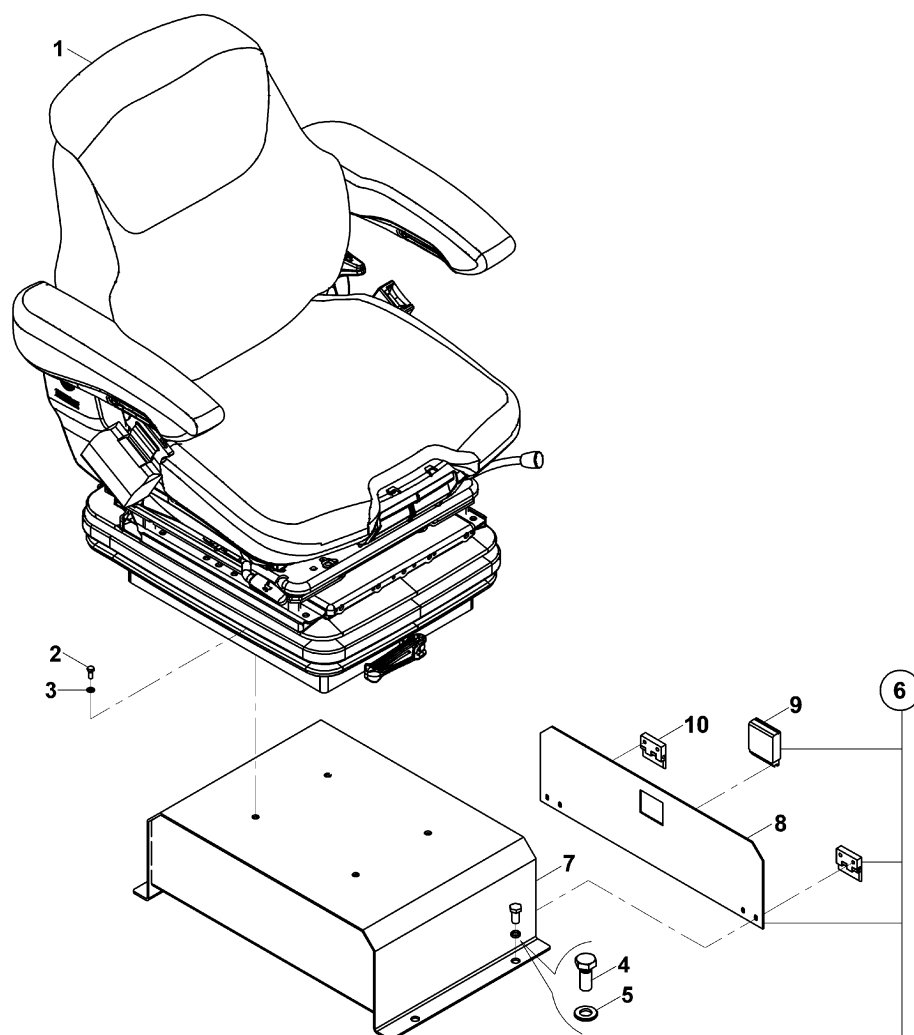
JOYSTICK MEKANİZMASI, SOL (OP)
JOYSTICK MECHANISM, LH (OP)

JOYSTICK MEKANİZMASI, SOL (OP) JOYSTICK MECHANISM, LH (OP)

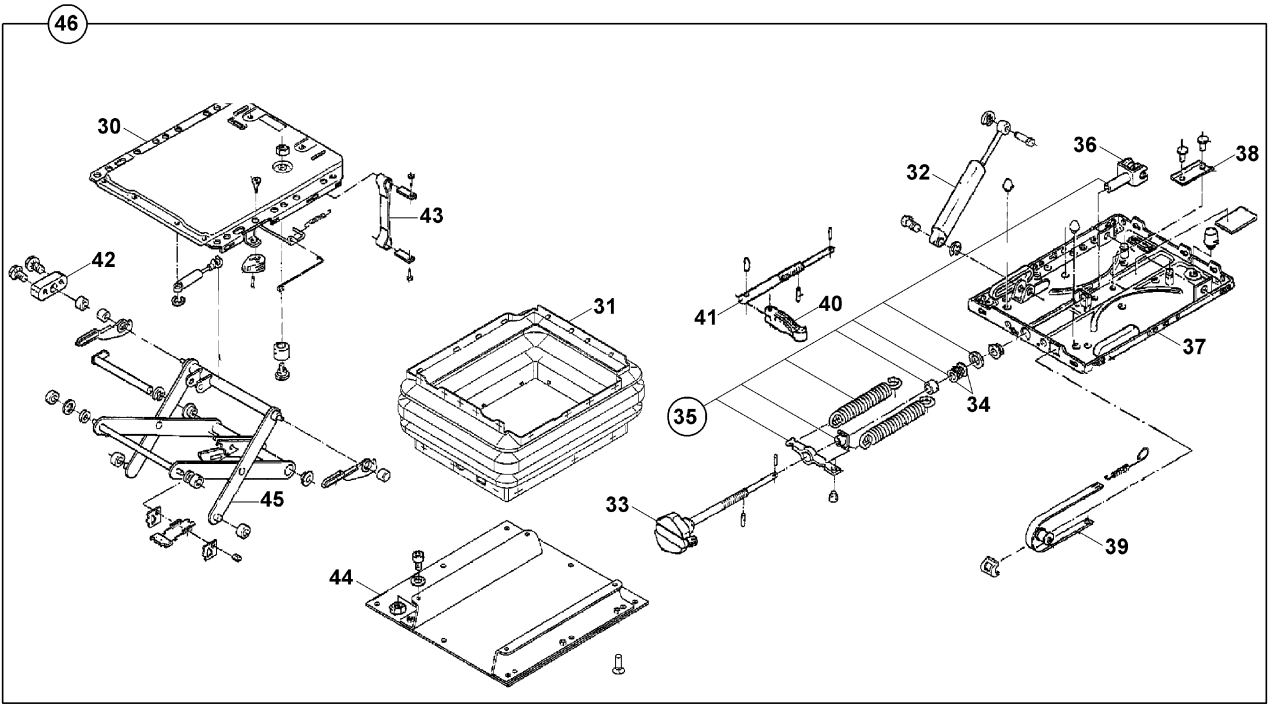
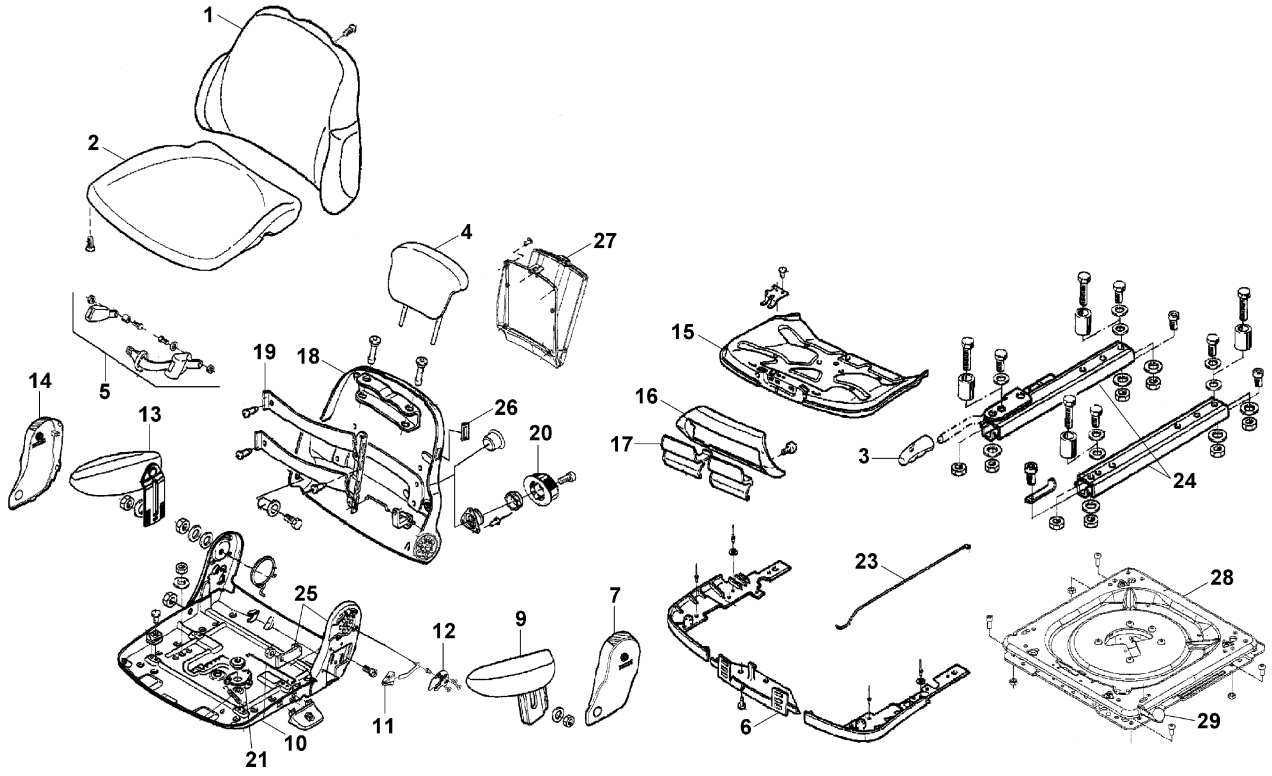


DİREKSİYON KOLONU KOMPLESİ
STEERING COLUMN ASSEMBLY

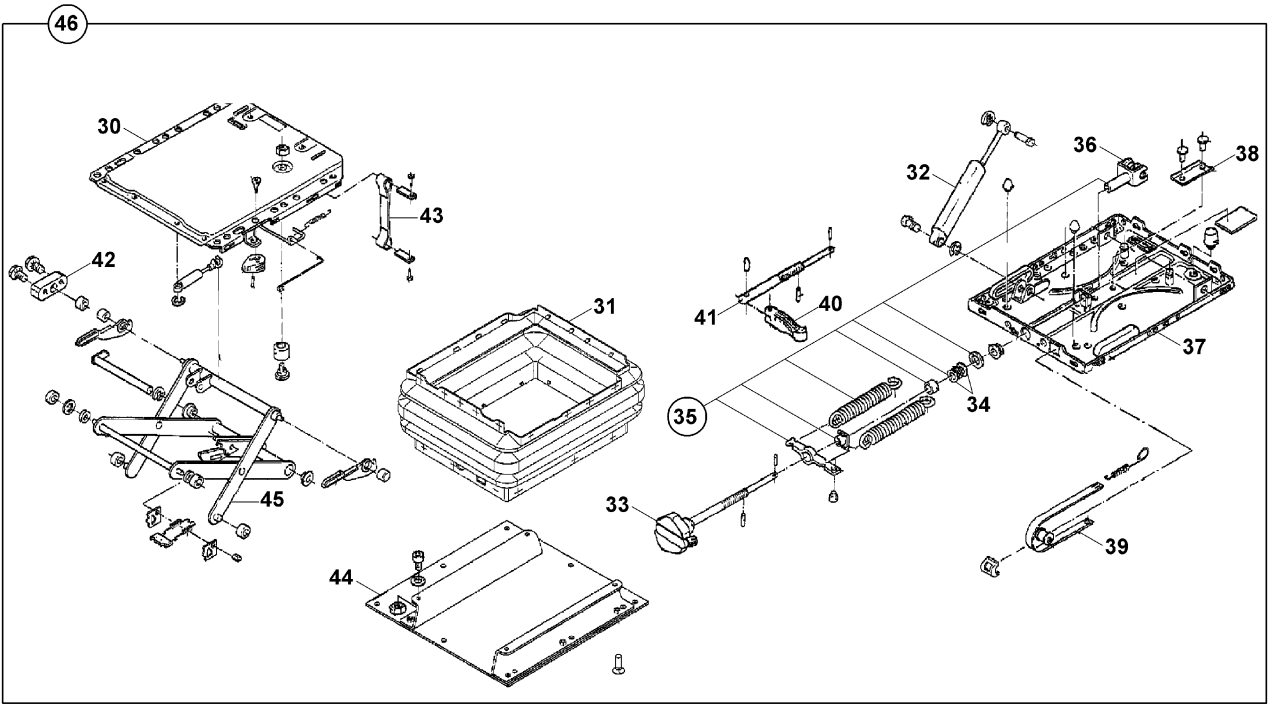
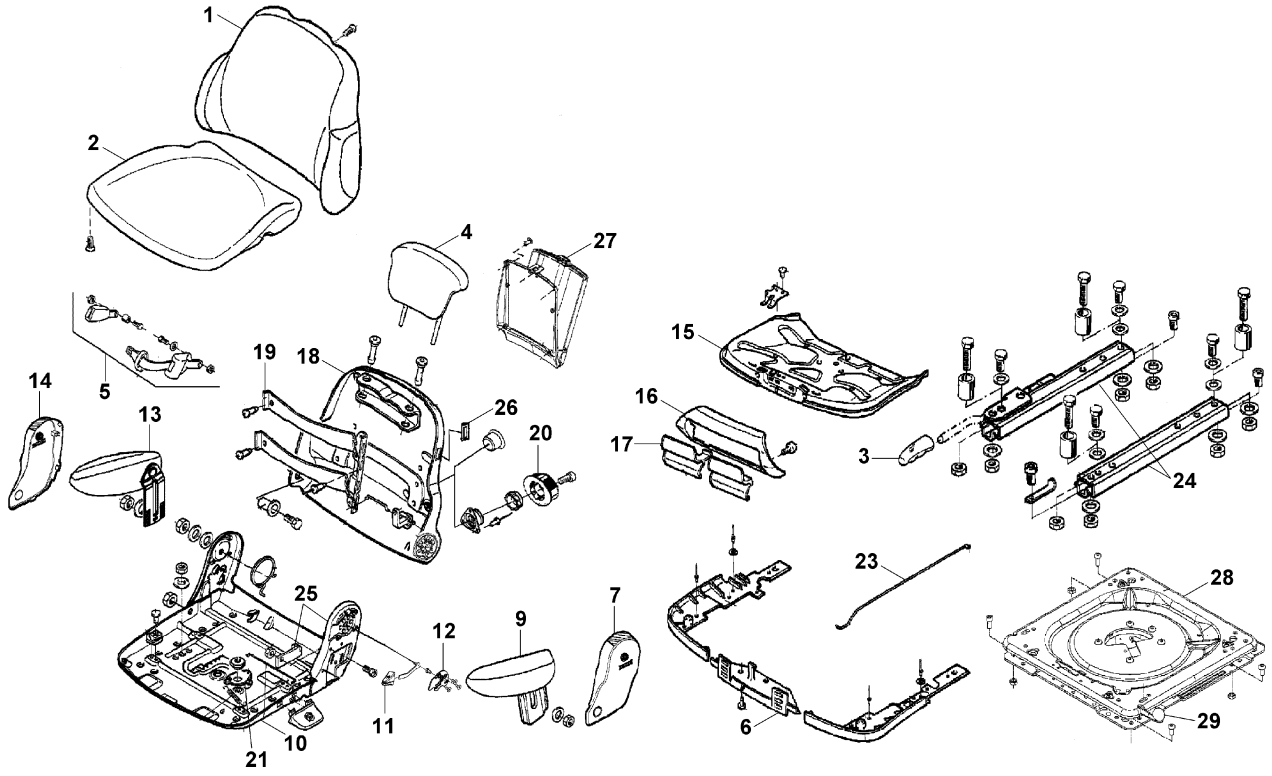


OPERATOR KOLTUK MONTAJI
OPERATOR SEAT MOUNTING

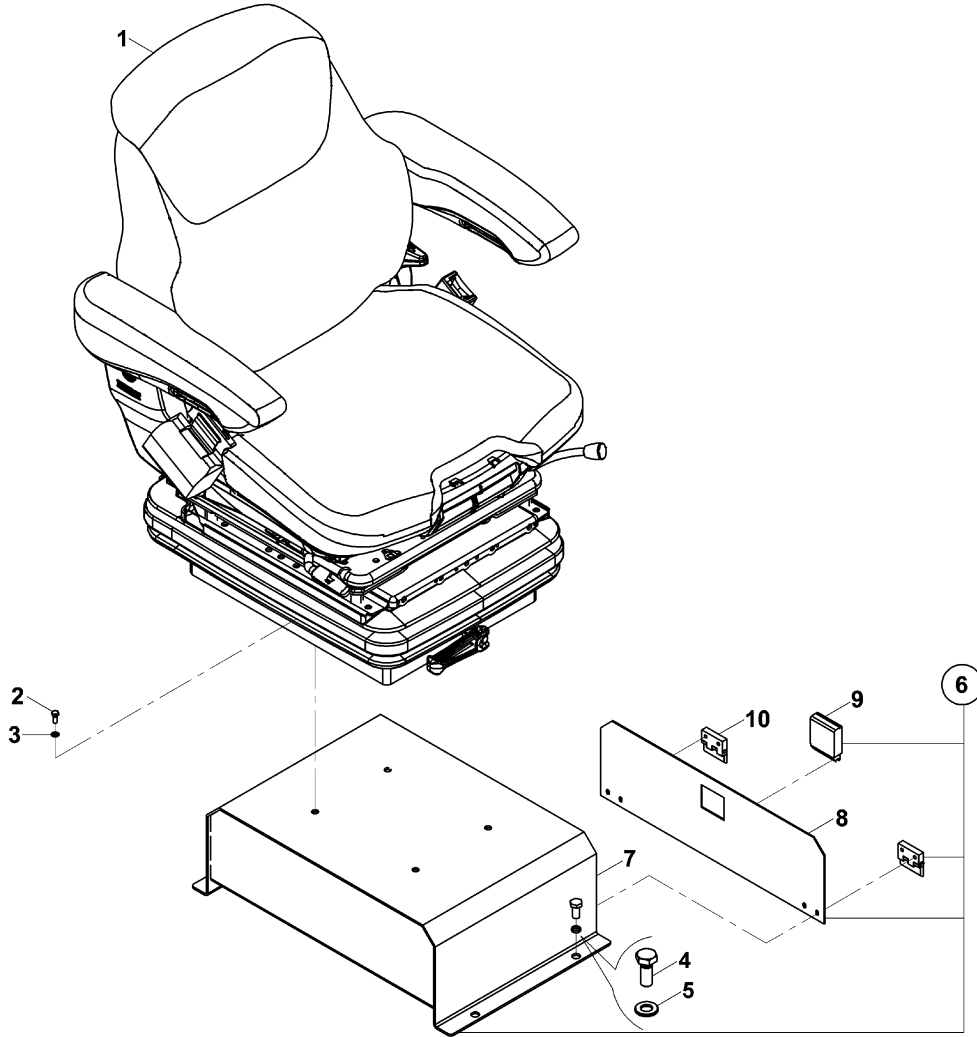
OPERATOR KOLTUK KOMPLESİ OPERATOR SEAT ASSEMBLY



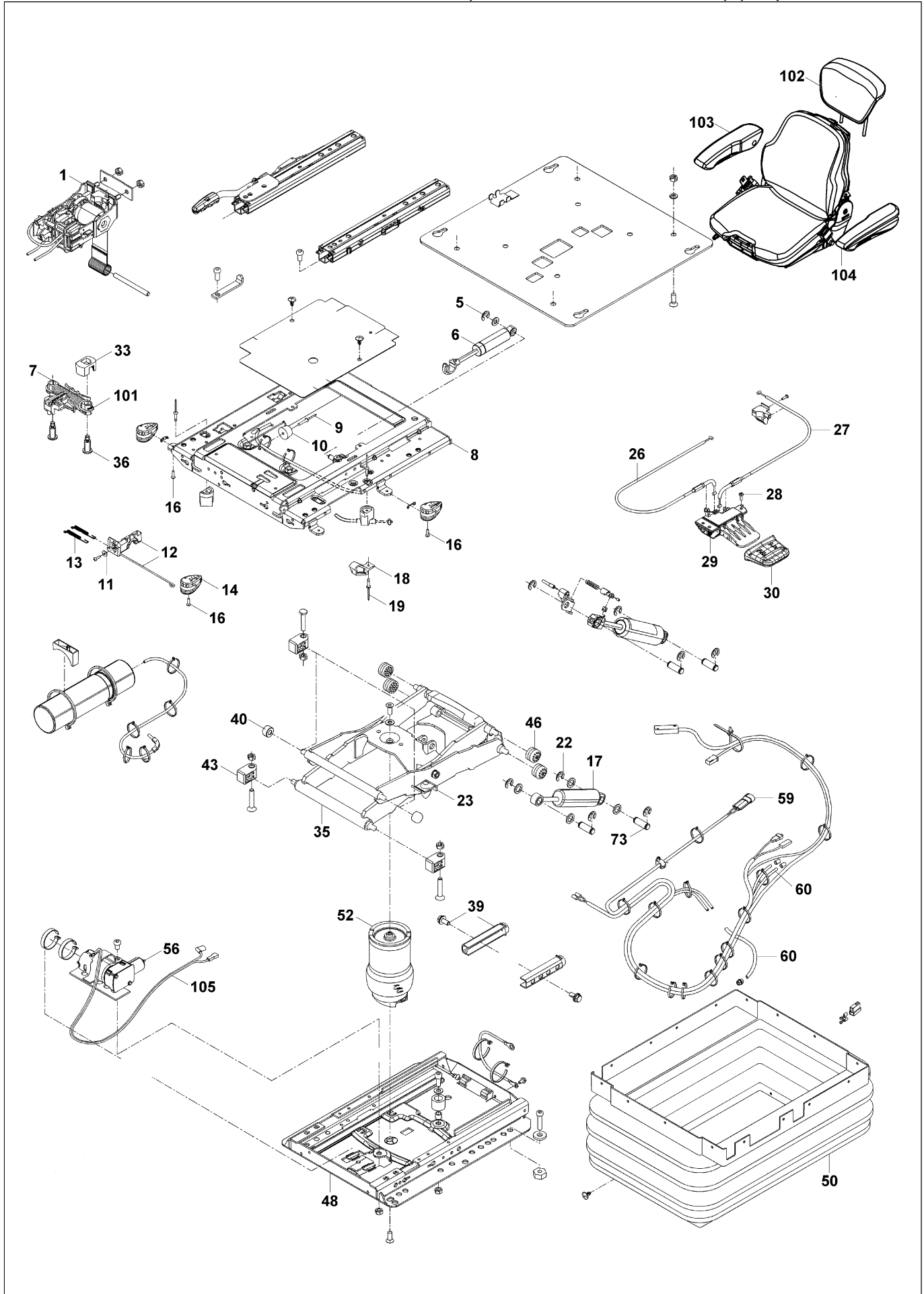
OPERATOR KOLTUK KOMPLESİ OPERATOR SEAT ASSEMBLY



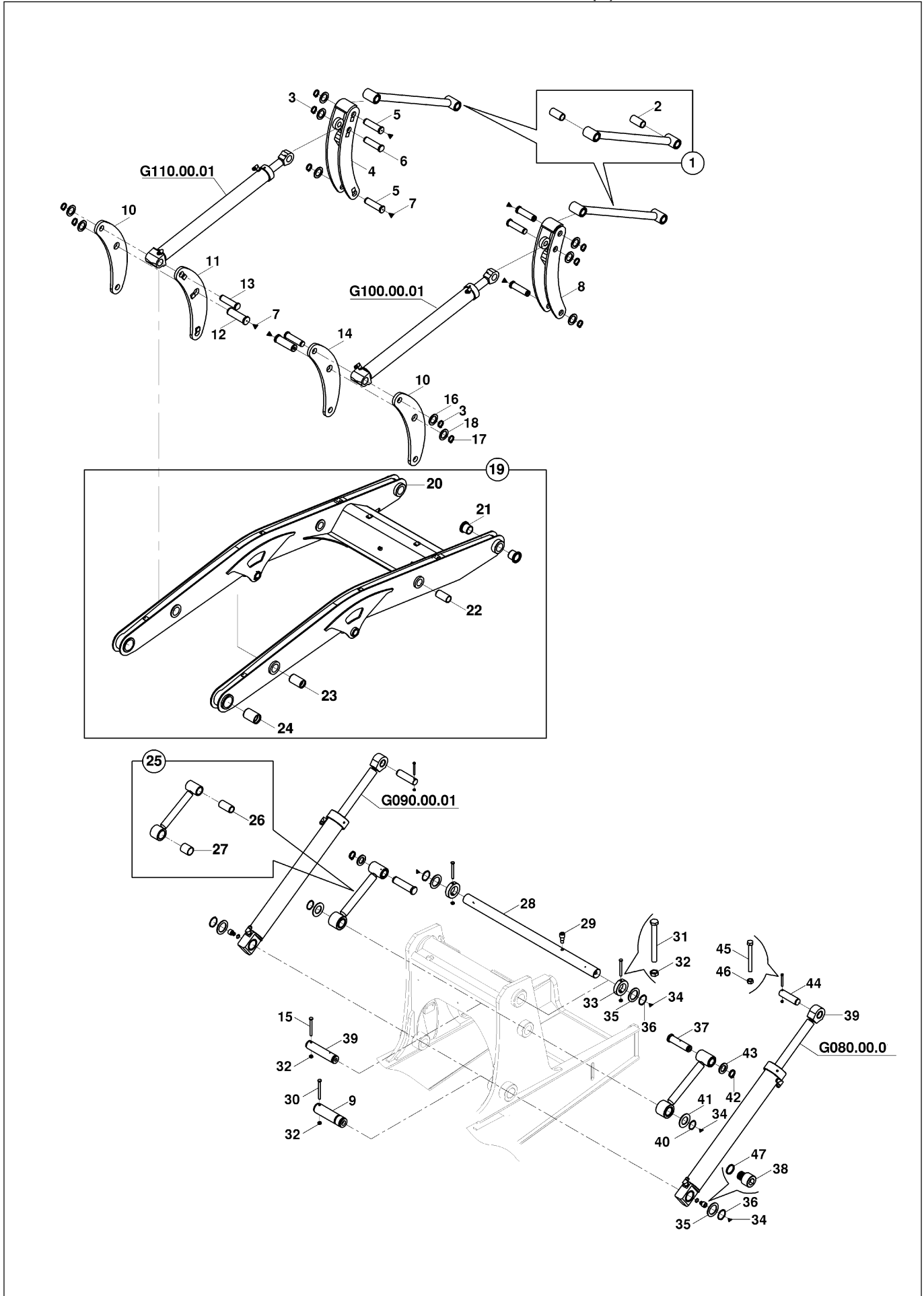
OPERATOR KOLTUK MONTAJI (HAVA SÜSPANSİYONLU) (OP)
OPERATOR SEAT MOUNTING (WITH AIR SUSPENSION) (OP)



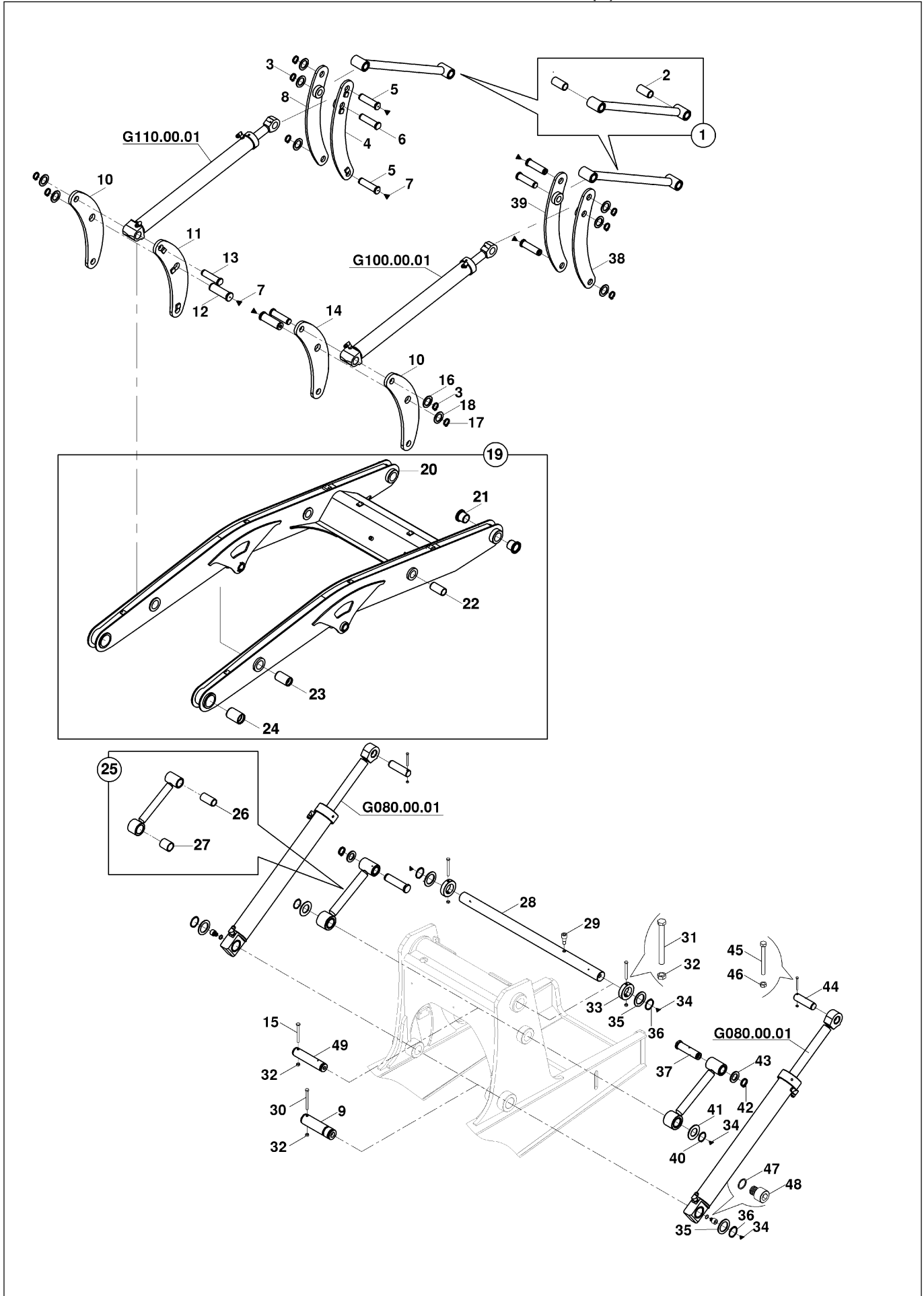
OPERATOR KOLTUK KOMPLESİ (HAVA SÜSPANSİYONLU) (OP)
OPERATOR SEAT ASSEMBLY (WITH AIR SUSPENSION) (OP)



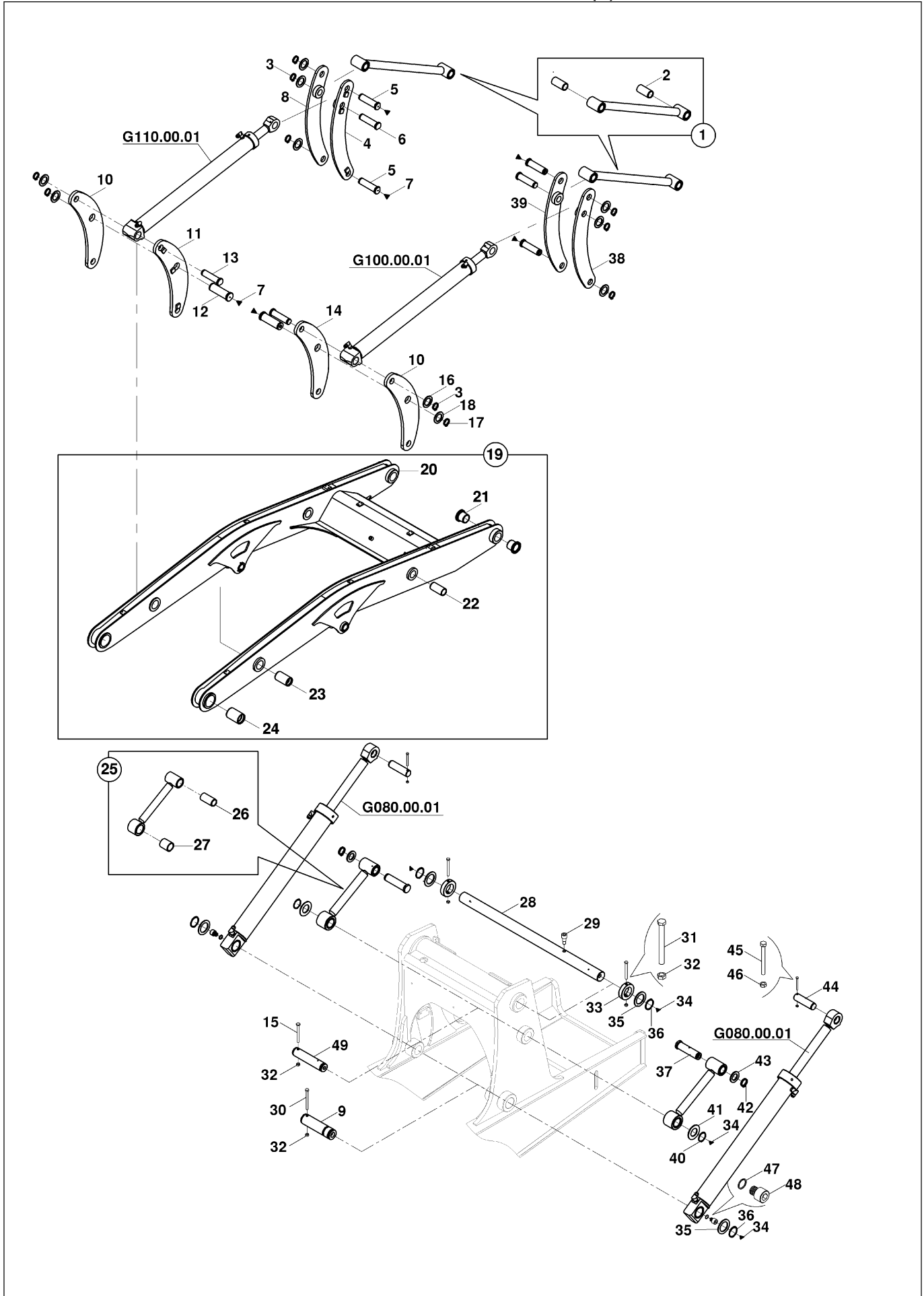
YÜKLEYİCİ KOL MONTAJI (1) LOADER ARM MOUNTING (1)



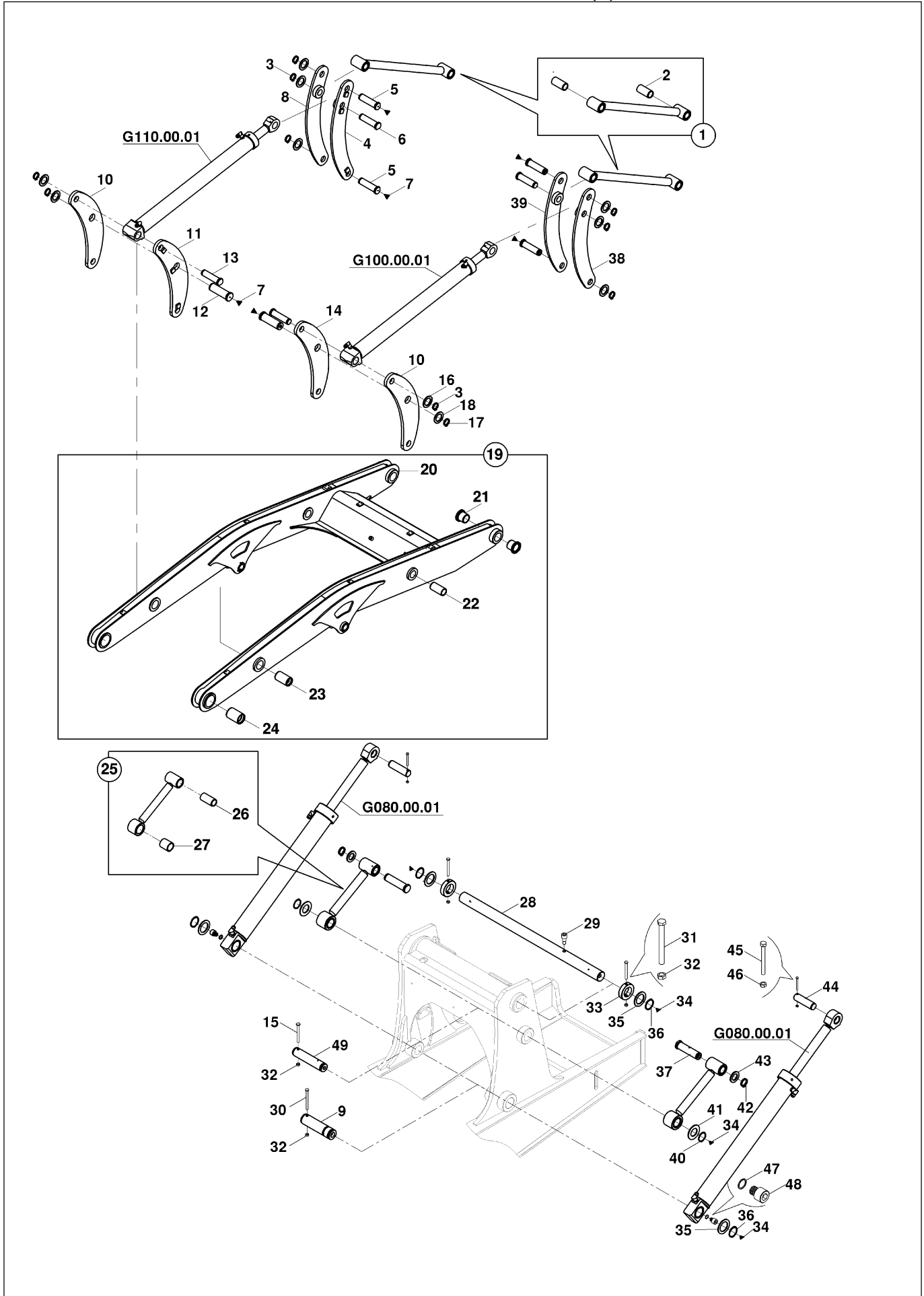
YÜKLEYİCİ KOL MONTAJI (1) LOADER ARM MOUNTING (1)



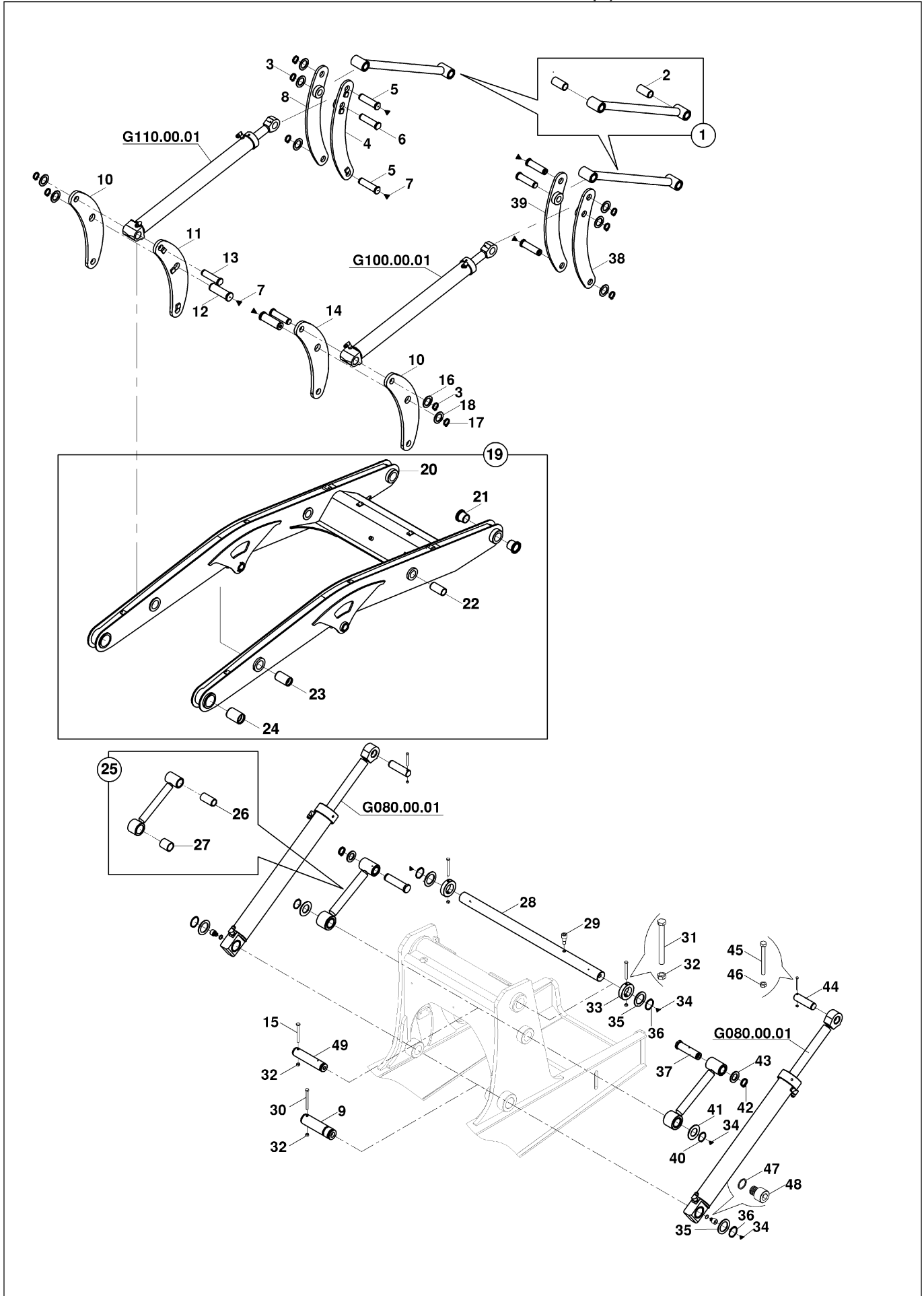
YÜKLEYİCİ KOL MONTAJI (1) LOADER ARM MOUNTING (1)



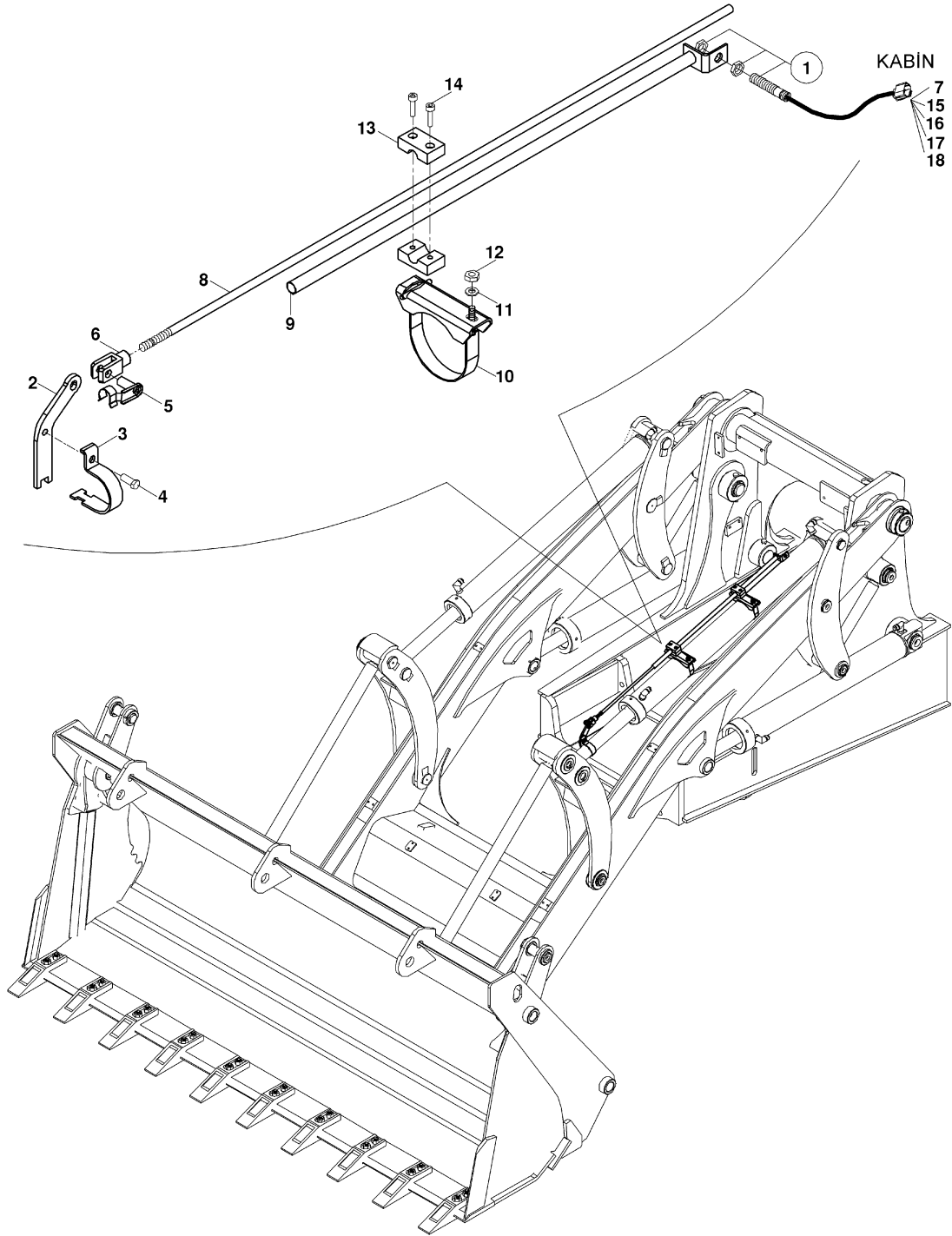
YÜKLEYİCİ KOL MONTAJI (1) LOADER ARM MOUNTING (1)



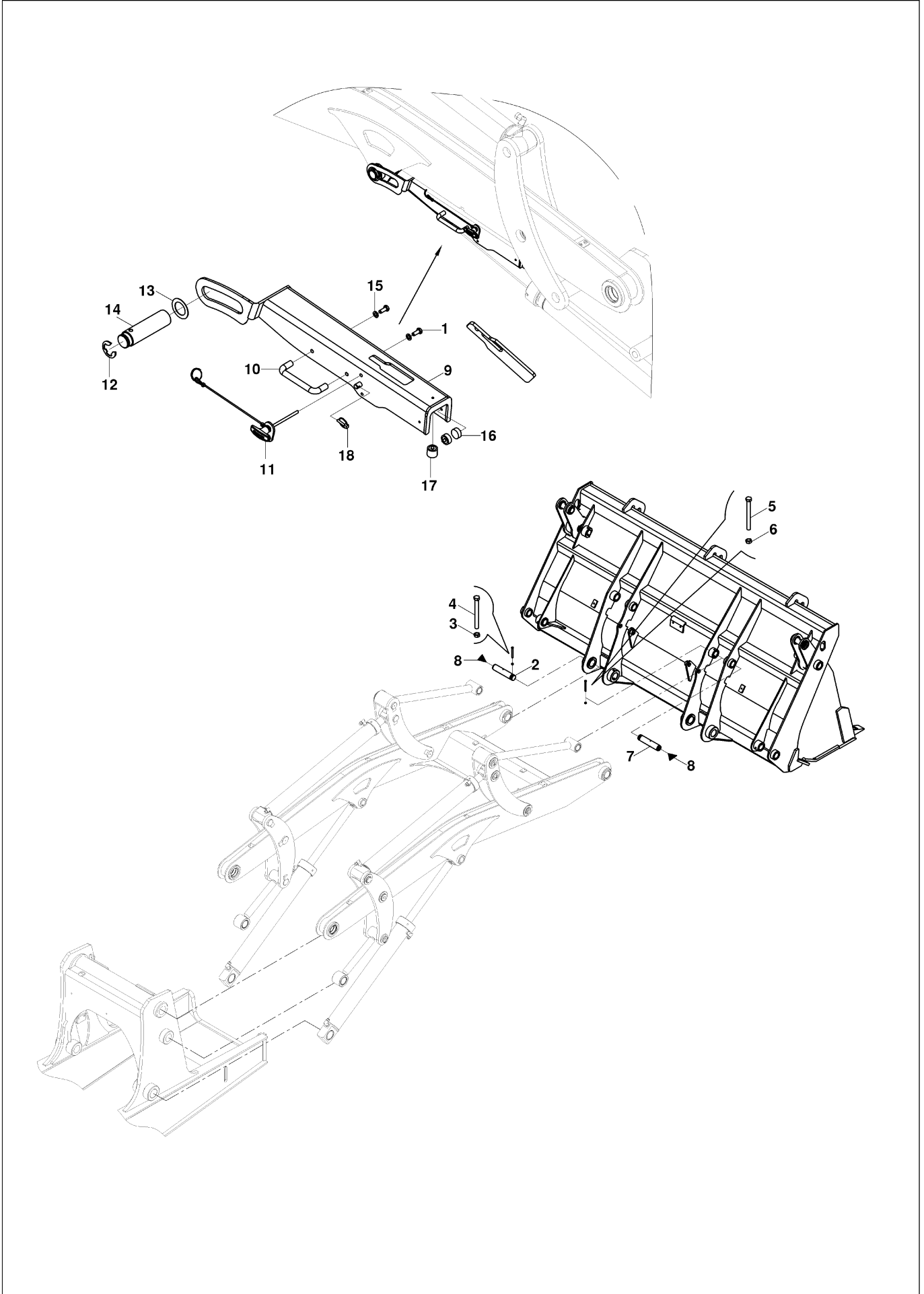
YÜKLEYİCİ KOL MONTAJI (1) LOADER ARM MOUNTING (1)



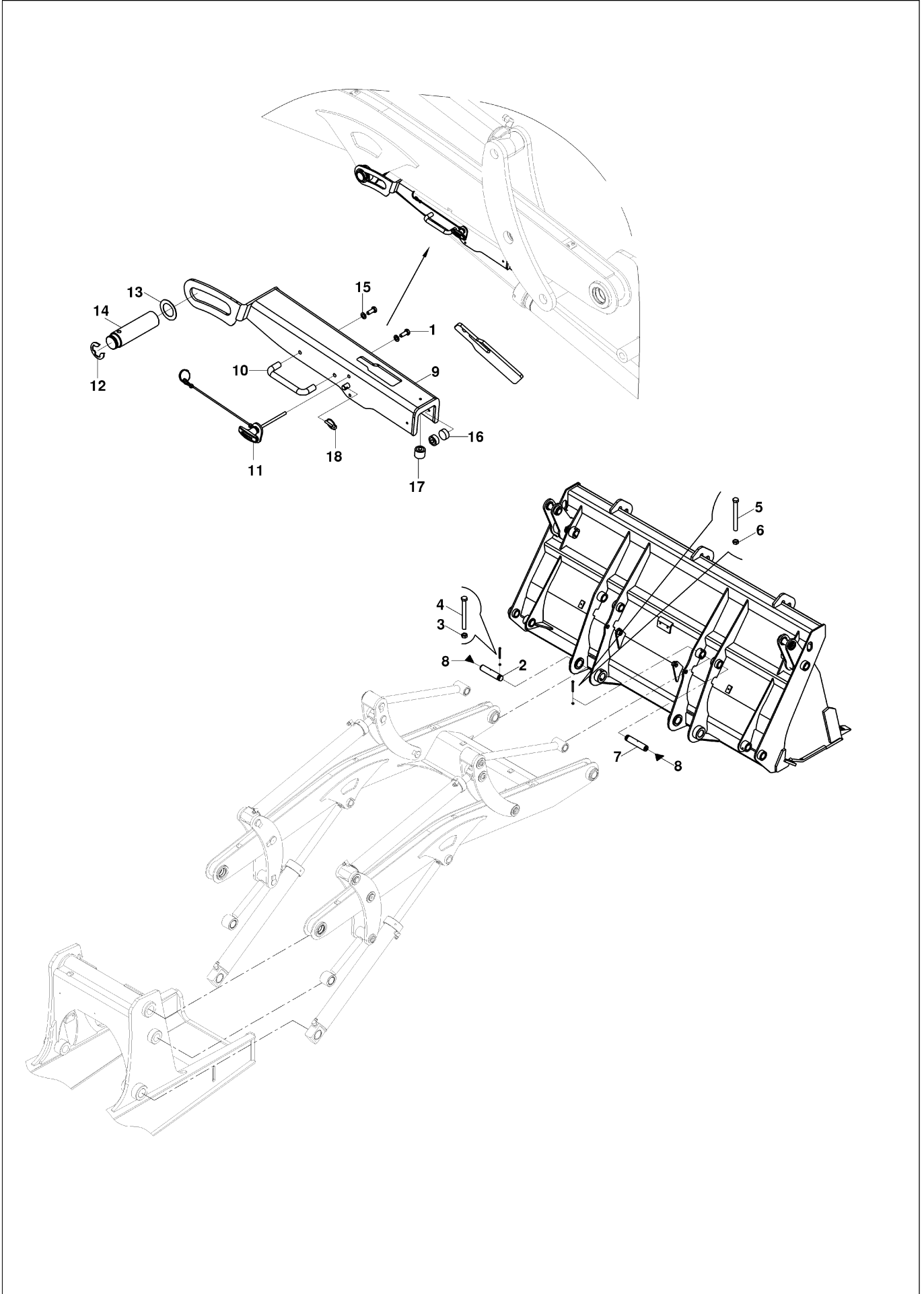
YÜKLEYİCİ KOL MONTAJI (2) LOADER ARM MOUNTING (2)



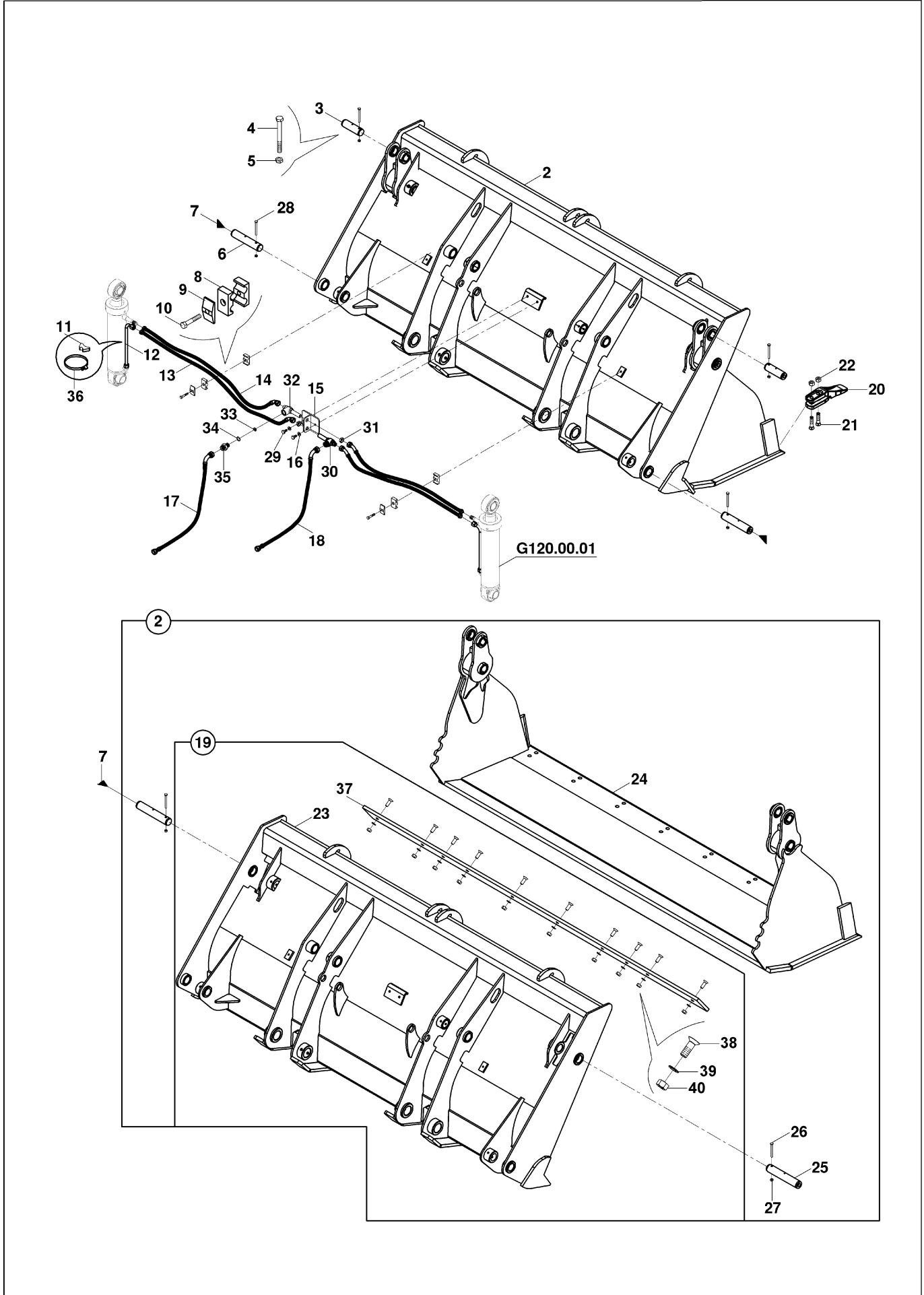
YÜKLEYİCİ KEPÇE MONTAJI (3) LOADER ARM MOUNTING (3)



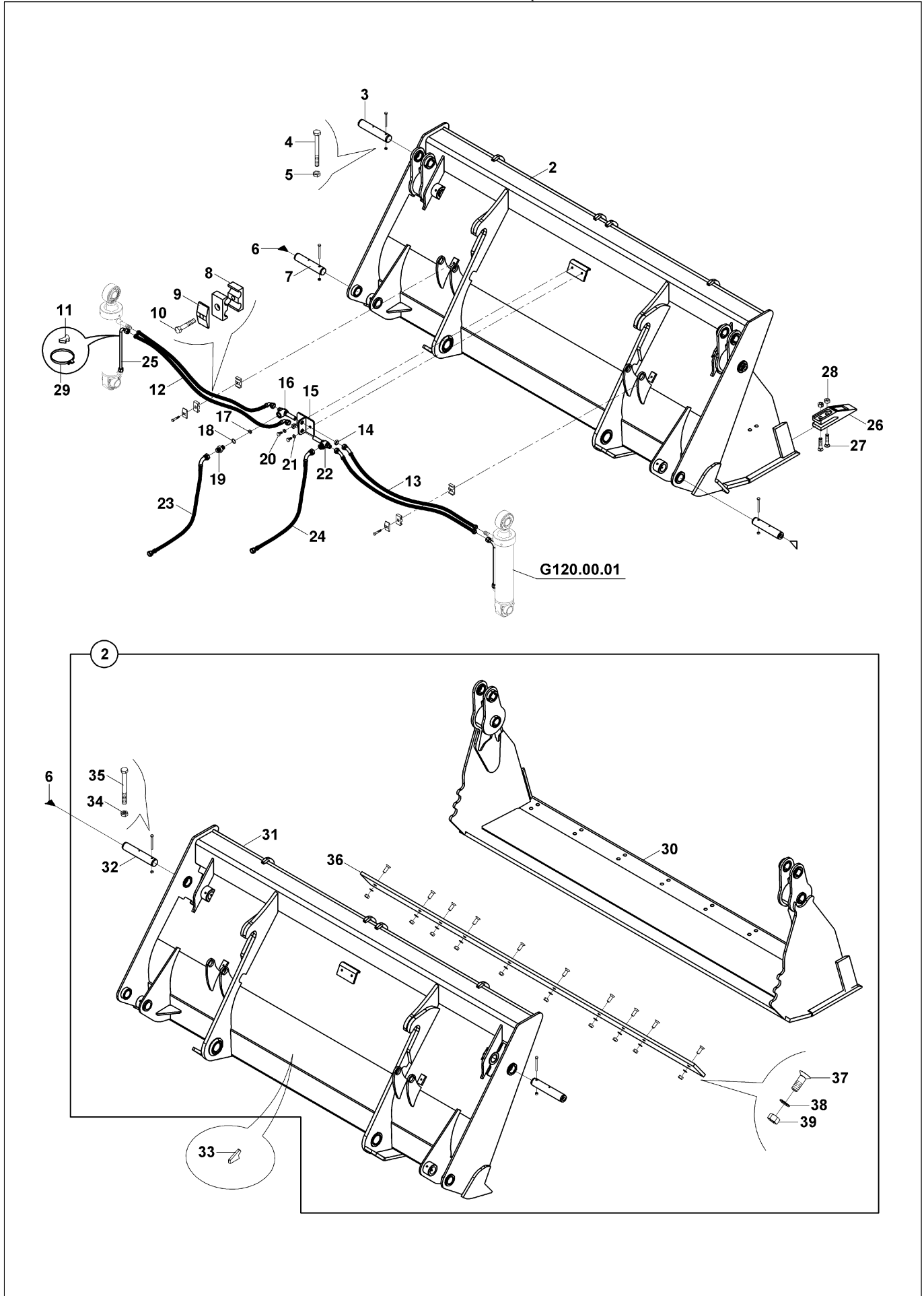
YÜKLEYİCİ KEPÇE MONTAJI (3) LOADER ARM MOUNTING (3)



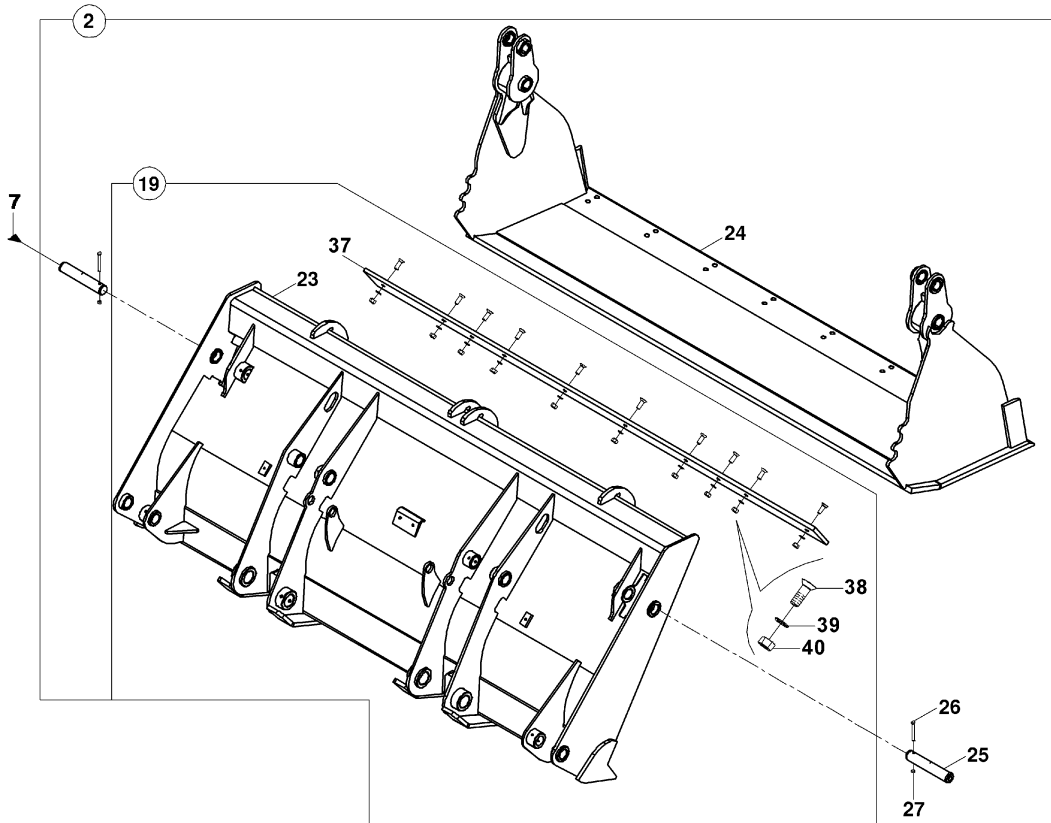
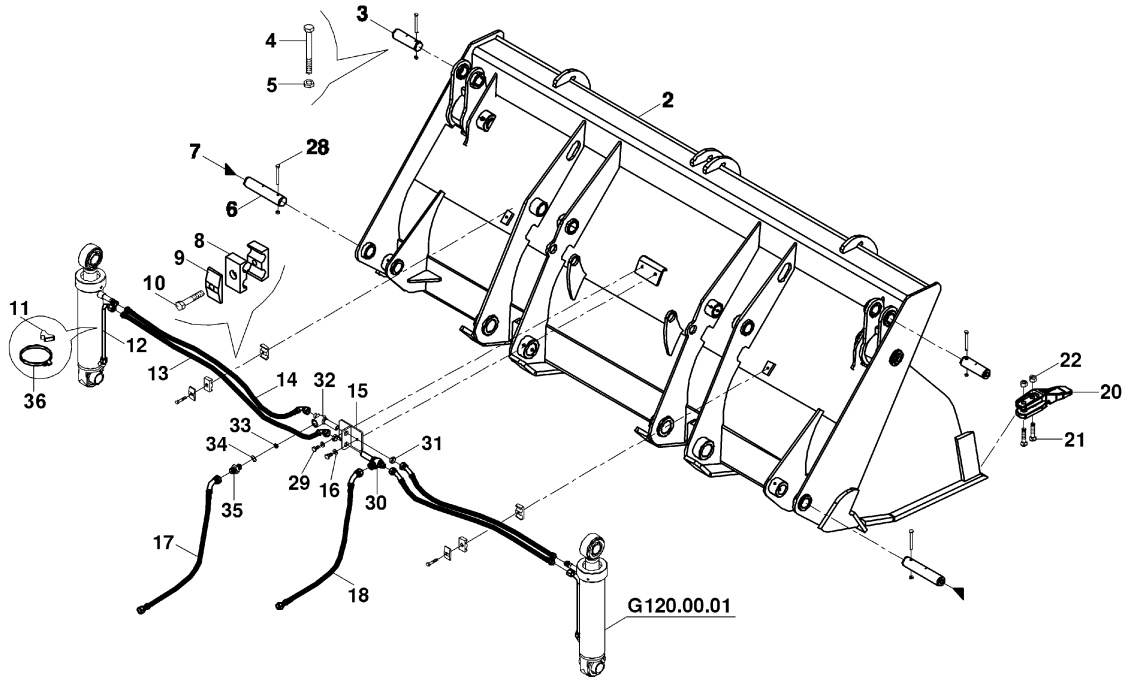
AÇILIR KEPÇE (1,3 m3) MULTIPORPUSE BUCKET, LOADER (1,3 m3)



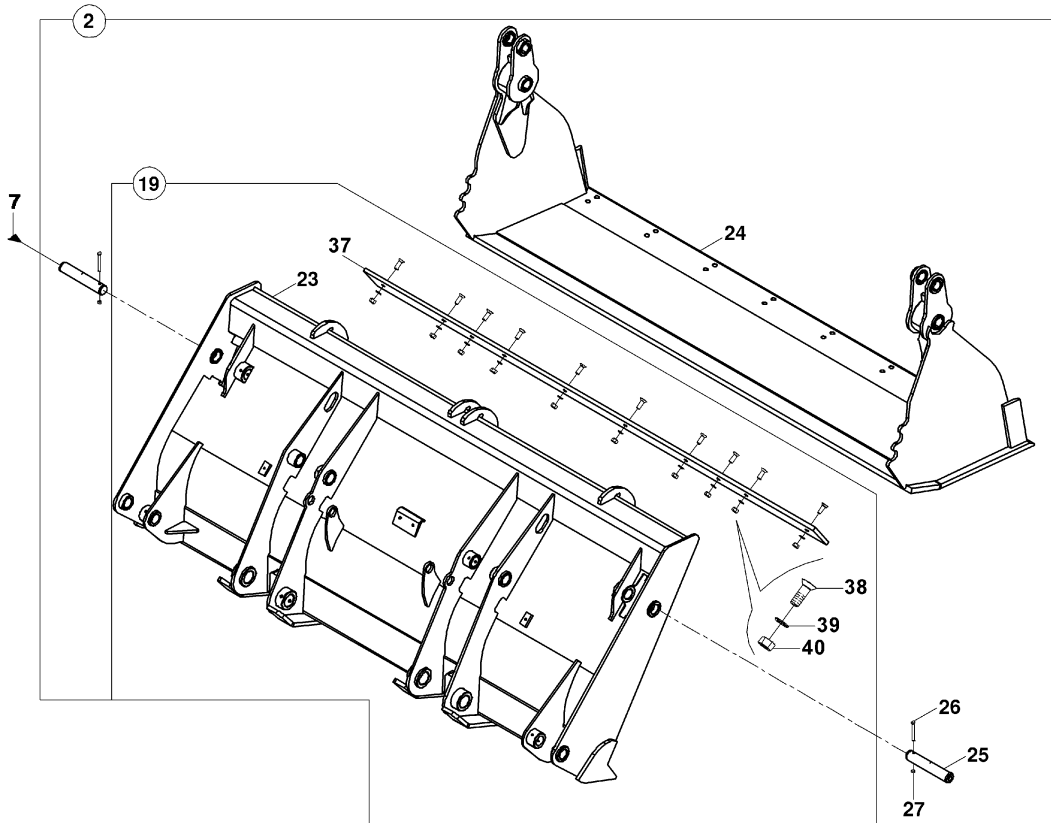
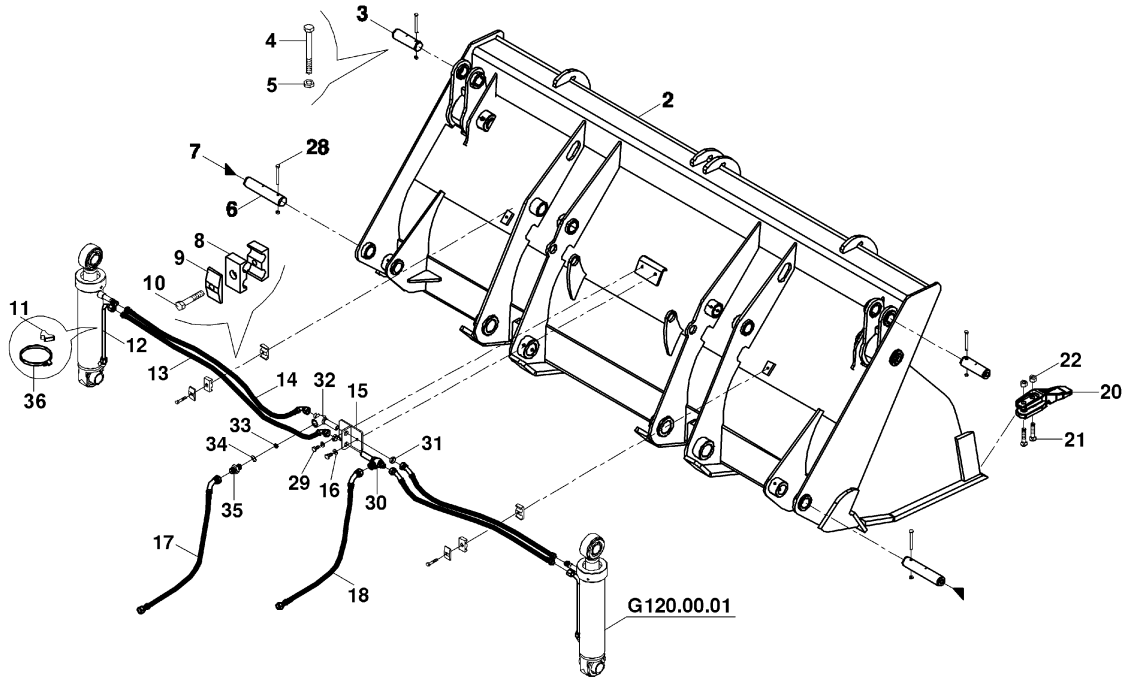
AÇILIR KEPÇE (ÇABUK SÖK TAKLI) MULTIPURPOSE BUCKET, LOADER (WITH QUICK COUPLER)



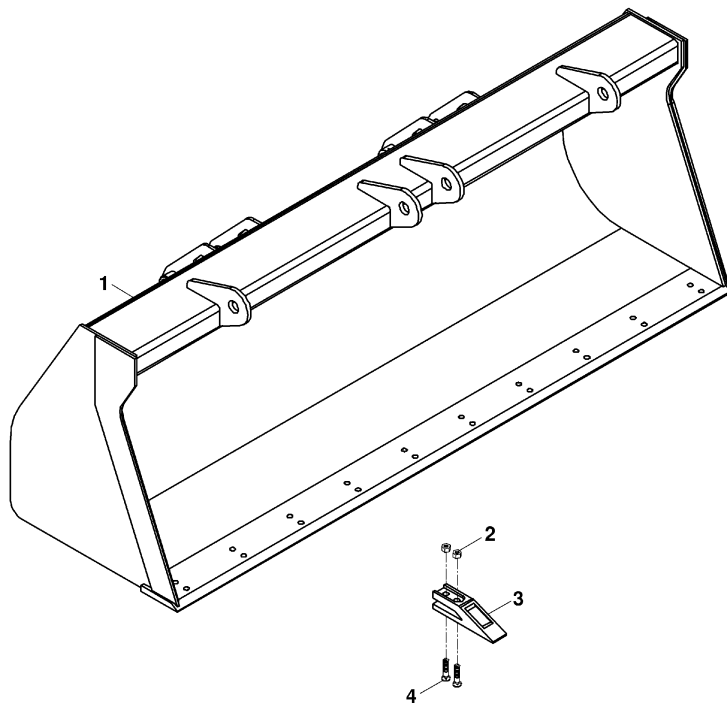
AÇILIR KEPÇE (1 m3) MULTIPORPUSE BUCKET, LOADER (1 m3)



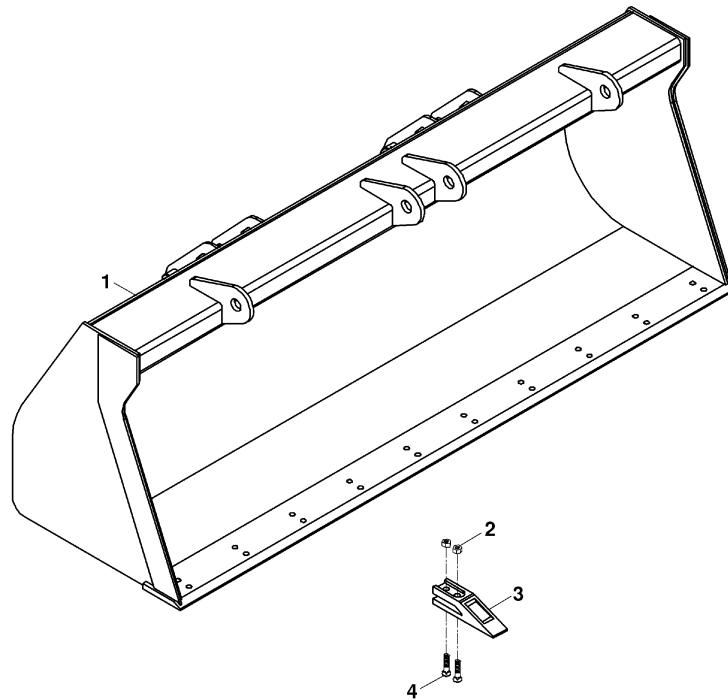
AÇILIR KEPÇE (1,2 m3) MULTIPORPUSE BUCKET, LOADER (1,2 m3)



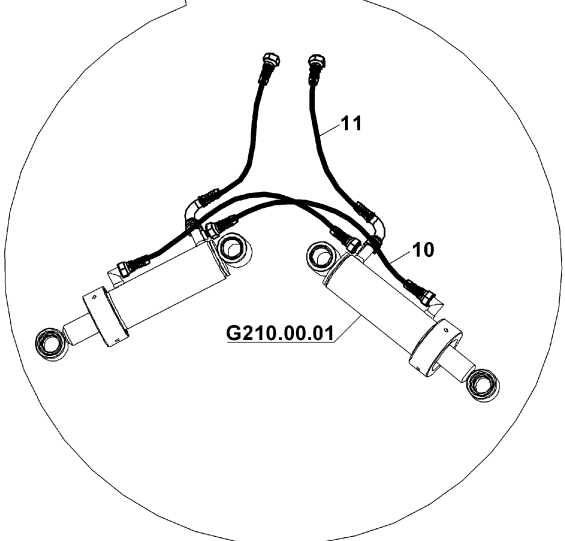
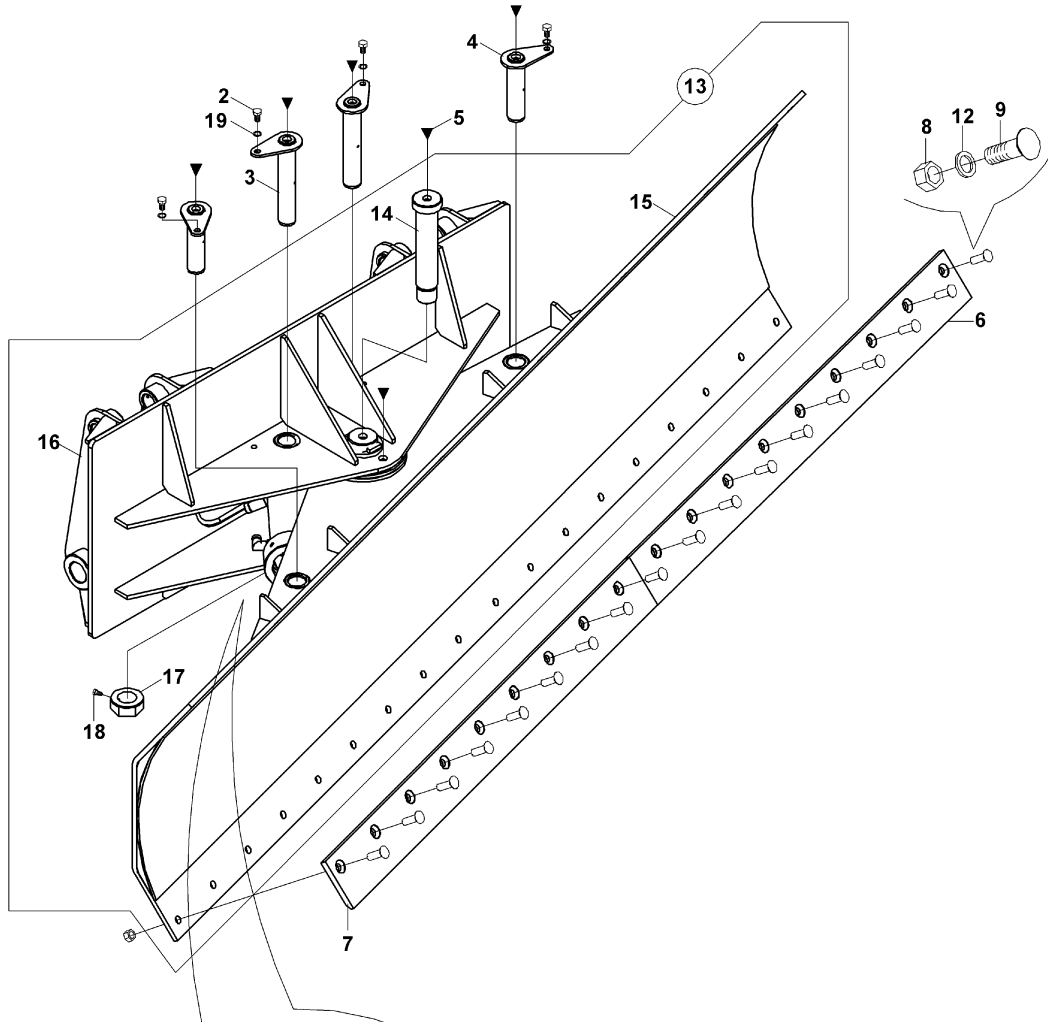
SABİT KEPÇE (1.2 m3)
SHOVEL (1.2 m3)



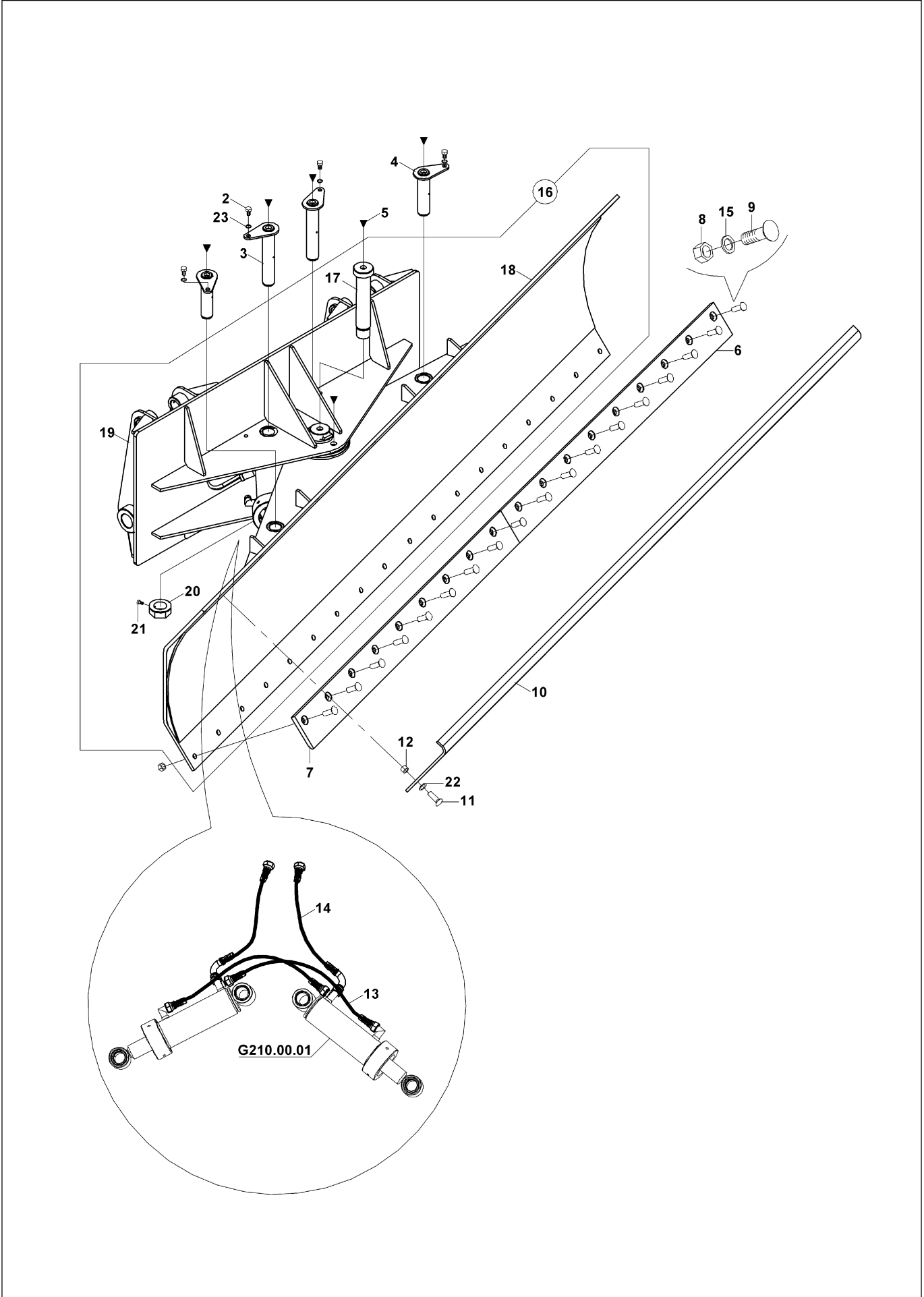
SABİT KEPÇE (1,5 m3)
SHOVEL (1,5 m3)



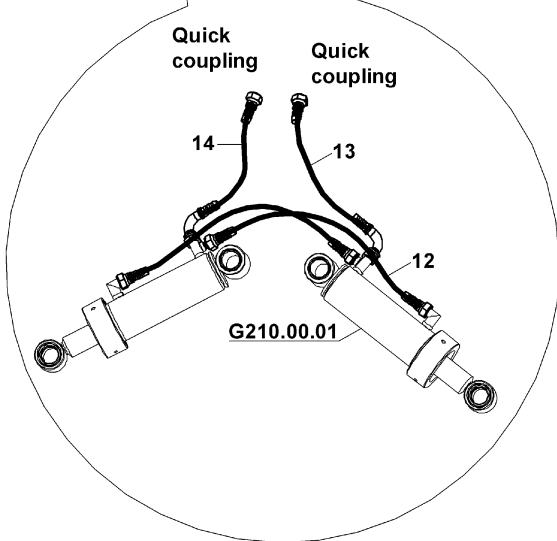
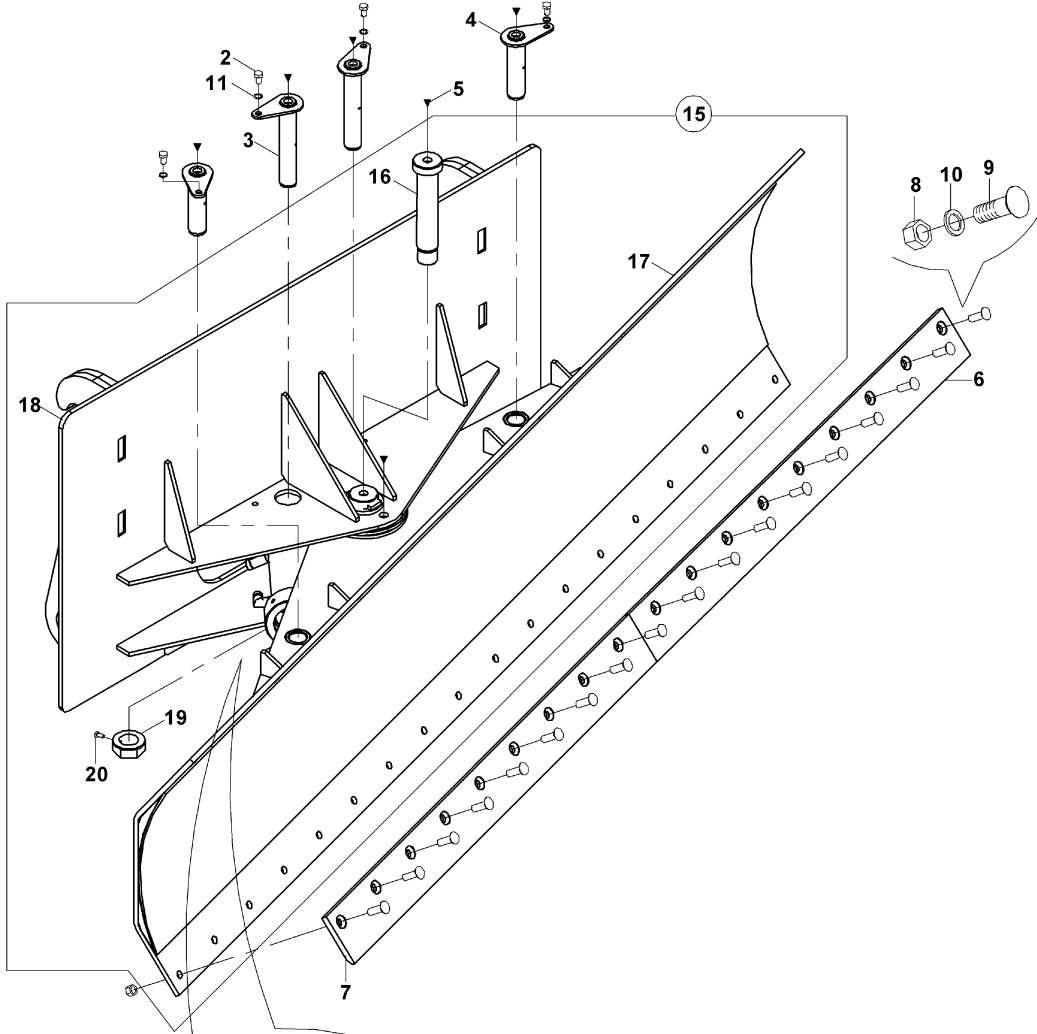
TESVIYE KÜREĞİ (716x2800) LEVELLING, BLADE (716x2800)



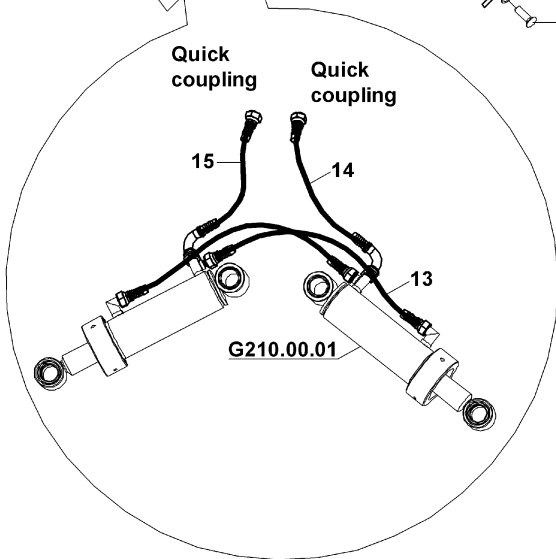
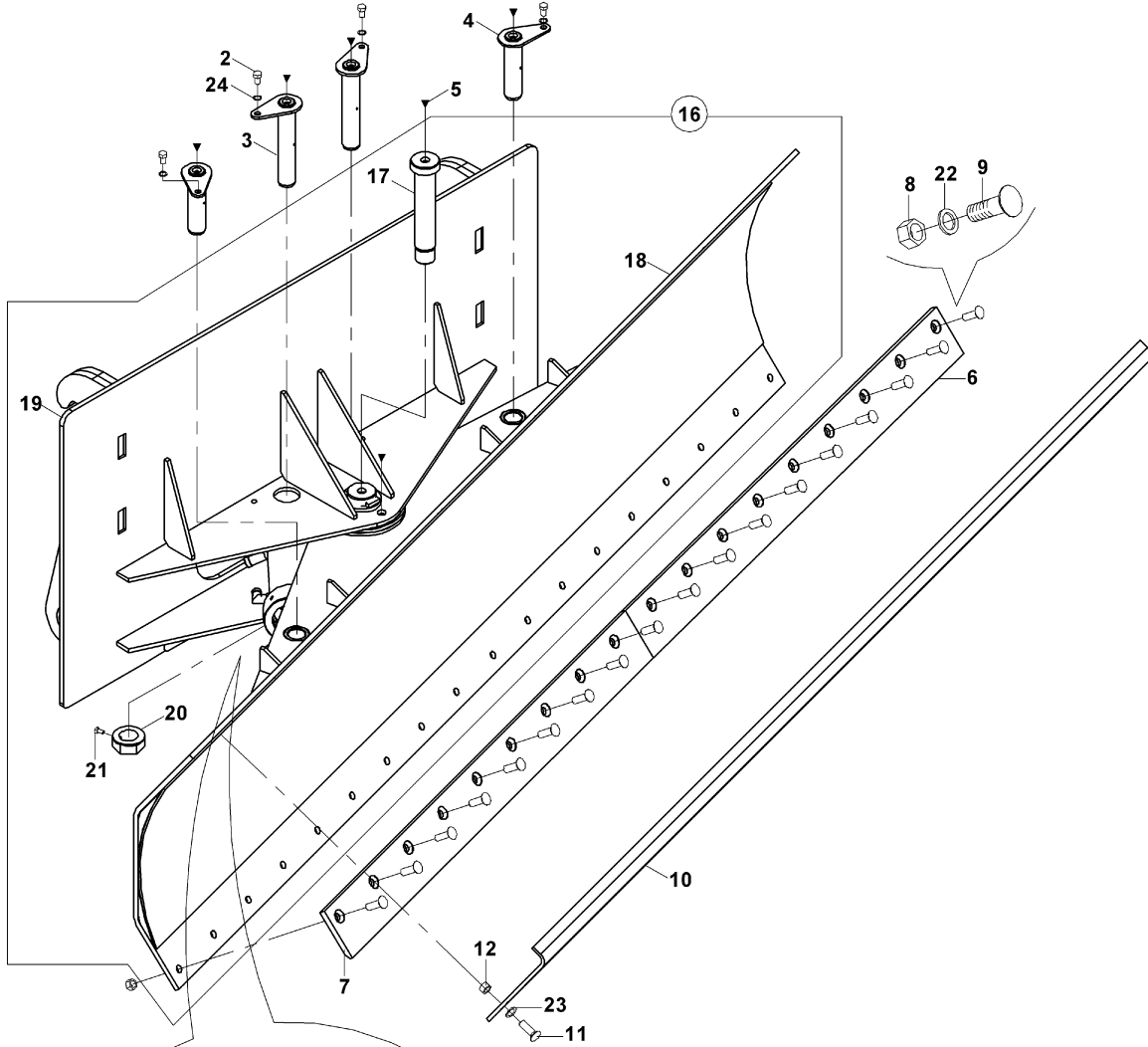
TESVIYE KÜREĞİ (900x2800) LEVELLING, BLADE (900x2800)



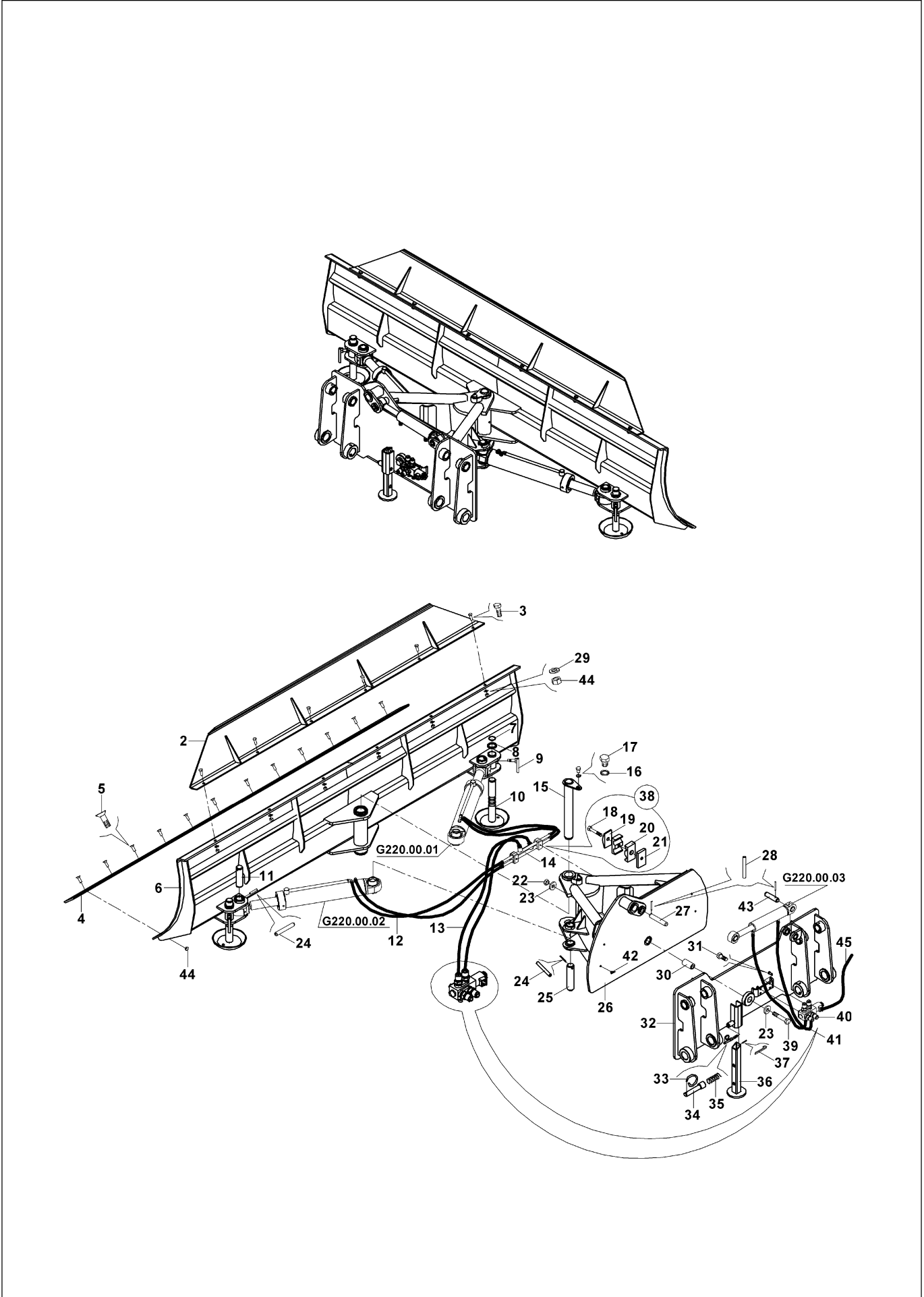
TESVİYE KÜREĞİ (ÇABUK SÖK TAKLI 716x2800)
LEVELLING BLADE (WITH QUICK COUPLER 716x2800)



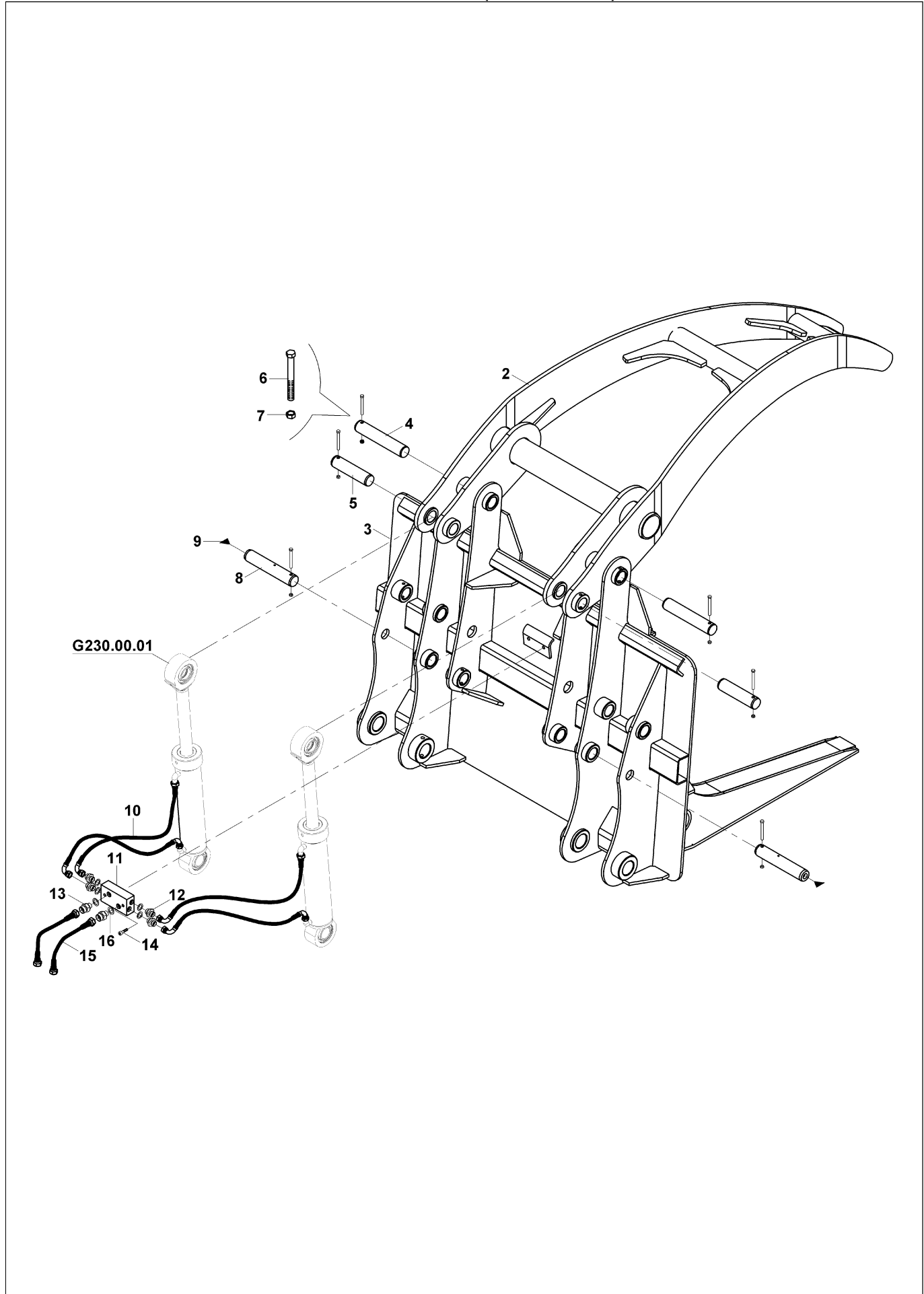
TESVİYE KÜREĞİ (ÇABUK SÖK TAKLI 900x2800)
LEVELLING BLADE (WITH QUICK COUPLER 900x2800)



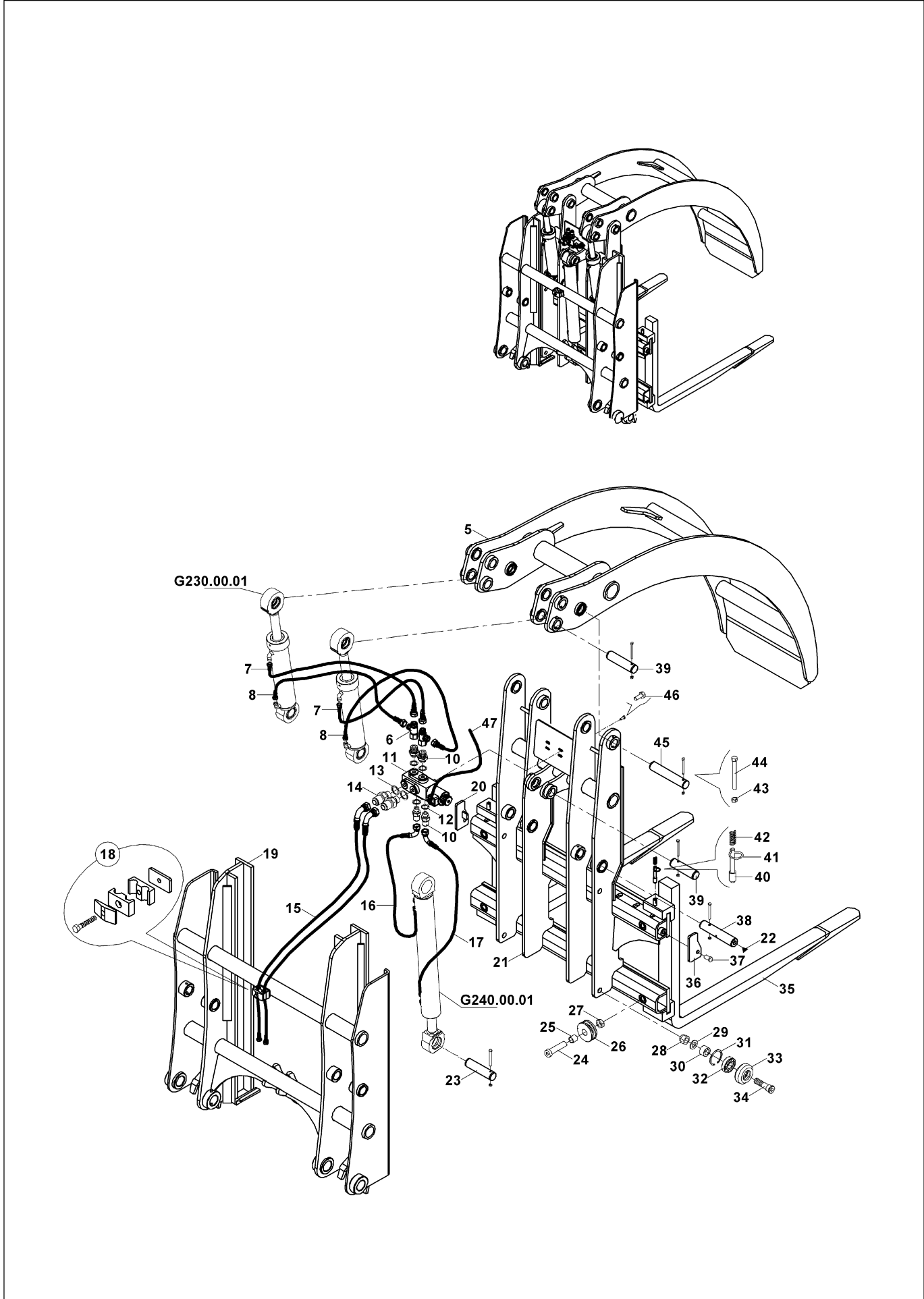
TESVİYE KÜREĞİ, ÇİFT EKSENLİ LEVELLING BLADE, DOUBLE AXIS



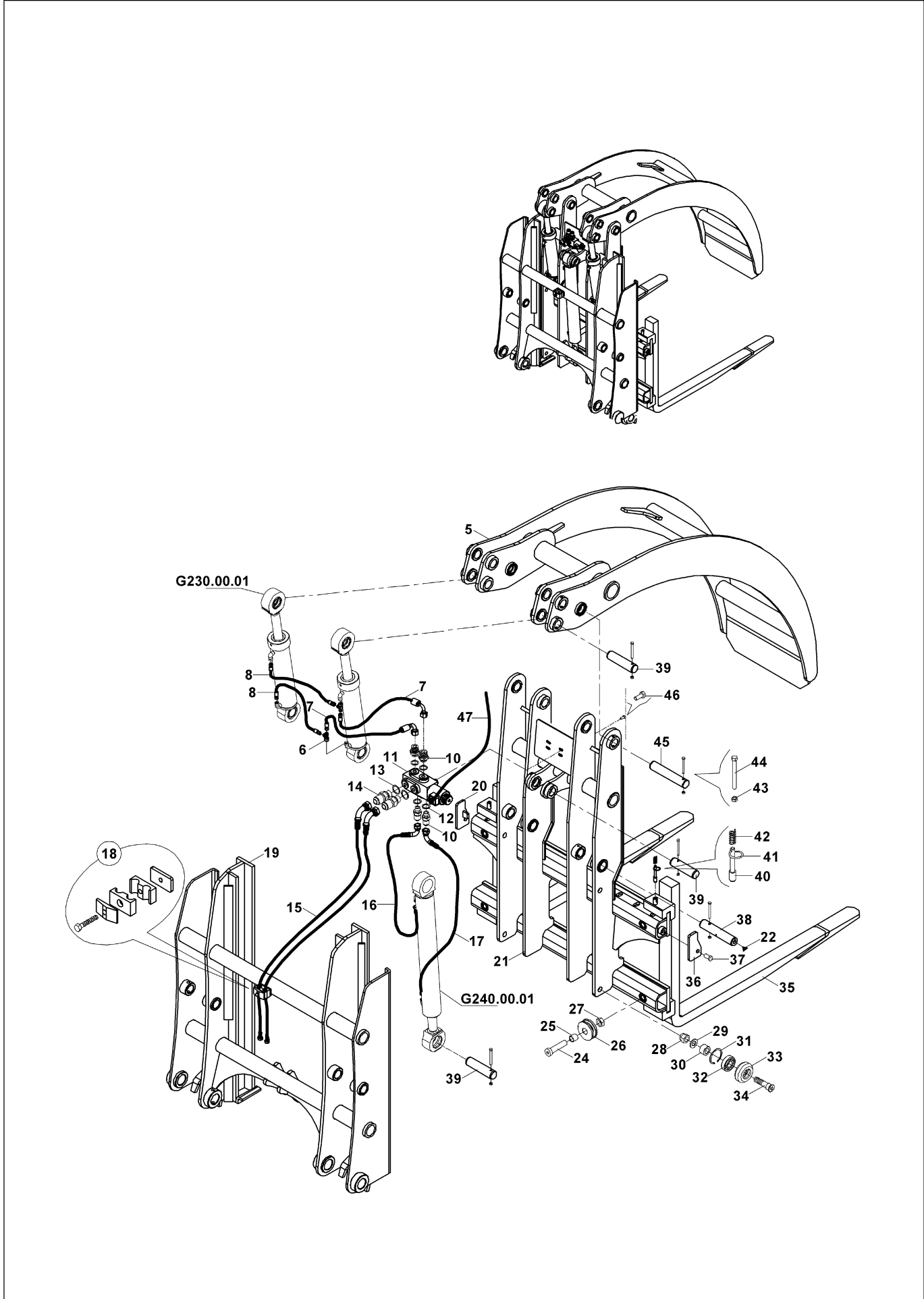
TOMRUK YÜKLEYİCİ, (2+1 TIRNAKLI)
LOG GRAPPLE, (2+1 CLAMP)



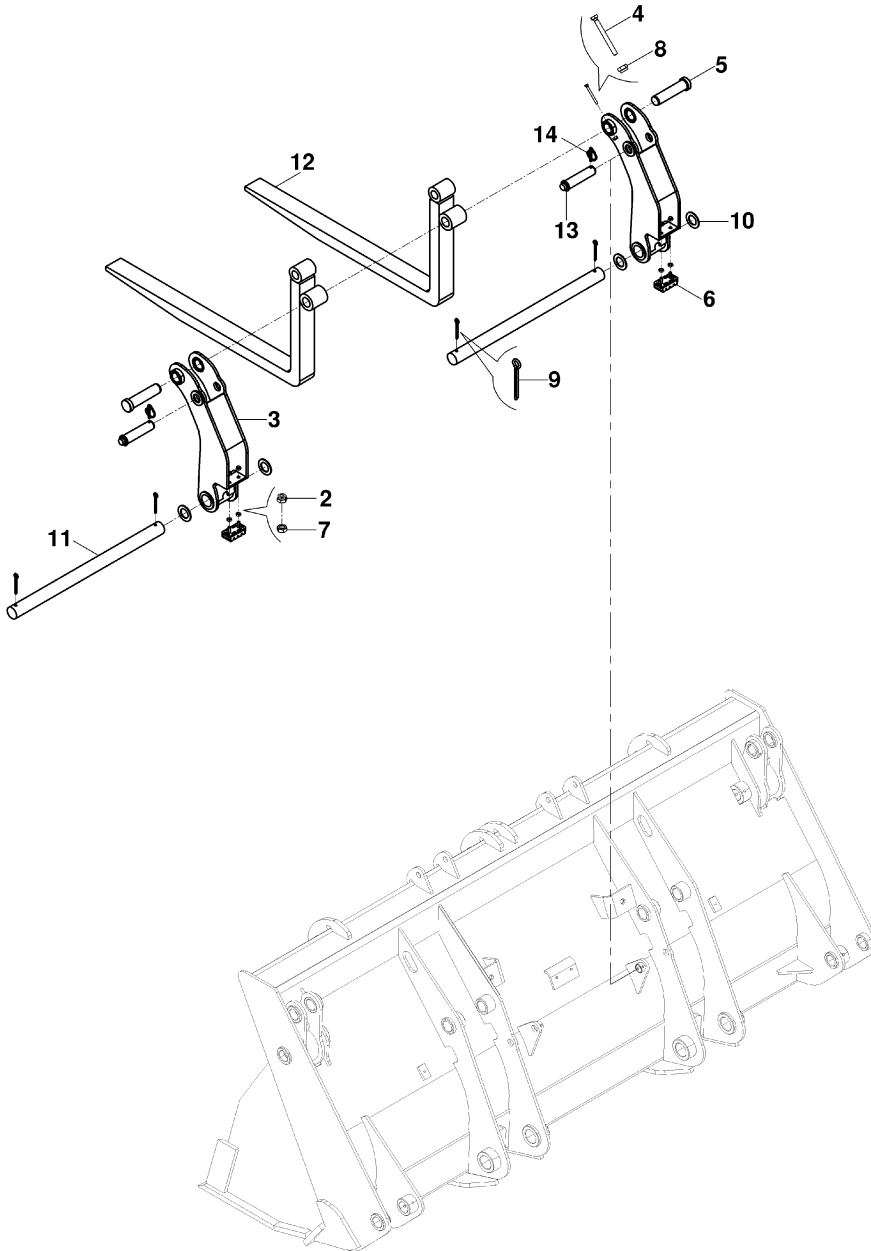
TOMRUK YÜKLEYİCİ, (HAREKETLİ, Ø200mm) LOG GRAPPLE, (WITH VERTICAL MOVEMENT Ø200mm)



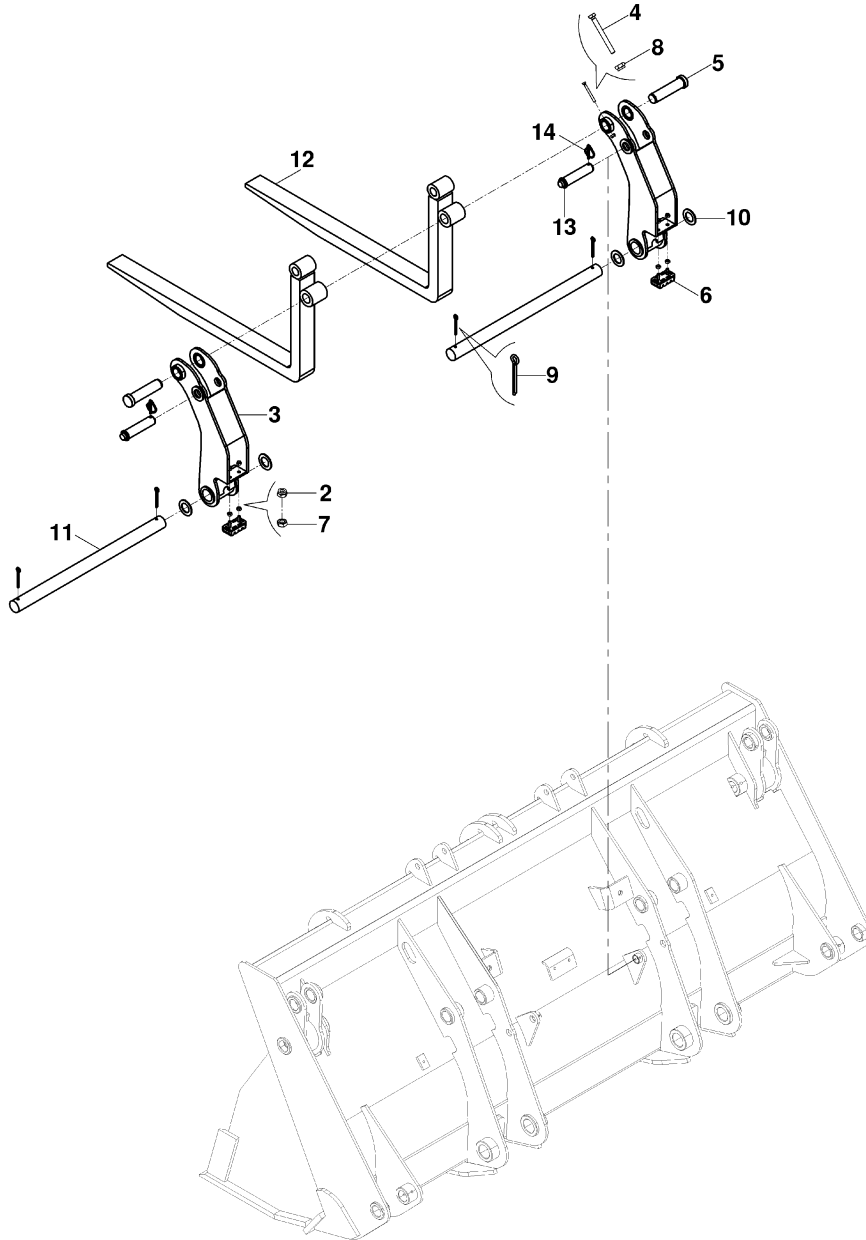
TOMRUK YÜKLEYİCİ, (HAREKETLİ, Ø500mm) LOG GRAPPLE, (WITH VERTICAL MOVEMENT Ø500mm)



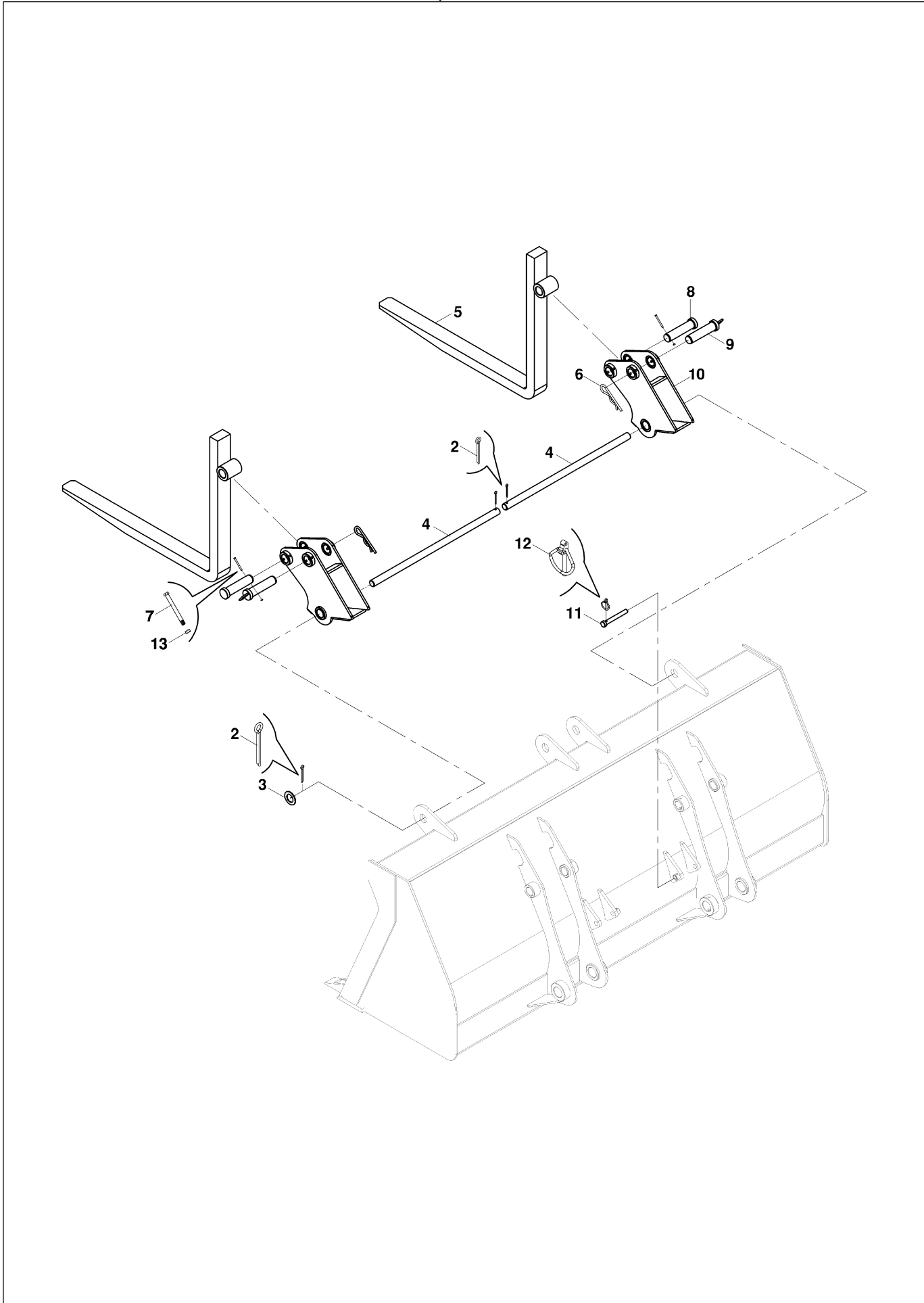
FORKLİFT APARATI, AÇILIR KEPÇE FORK LIFT, MULTIPURPOSE BUCKET



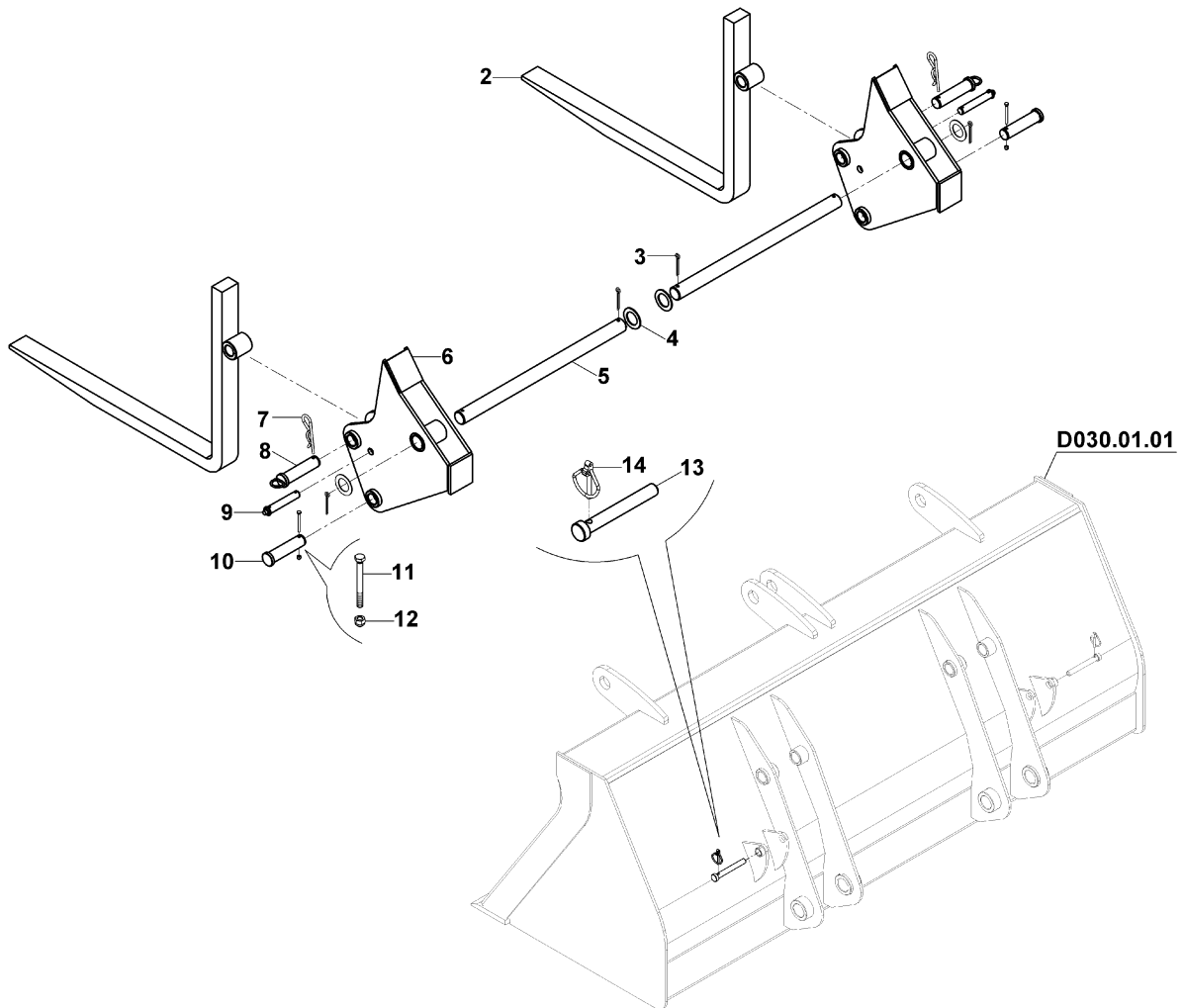
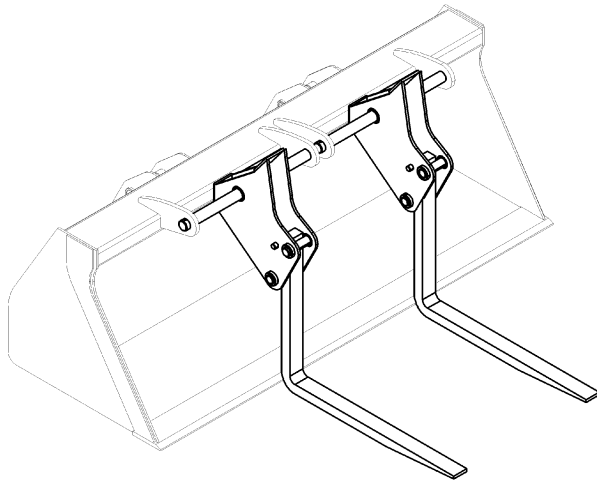
FORKLİFT APARATI (AÇILIR KEPÇE)
FORK LIFT (MULTIPURPOSE BUCKET)



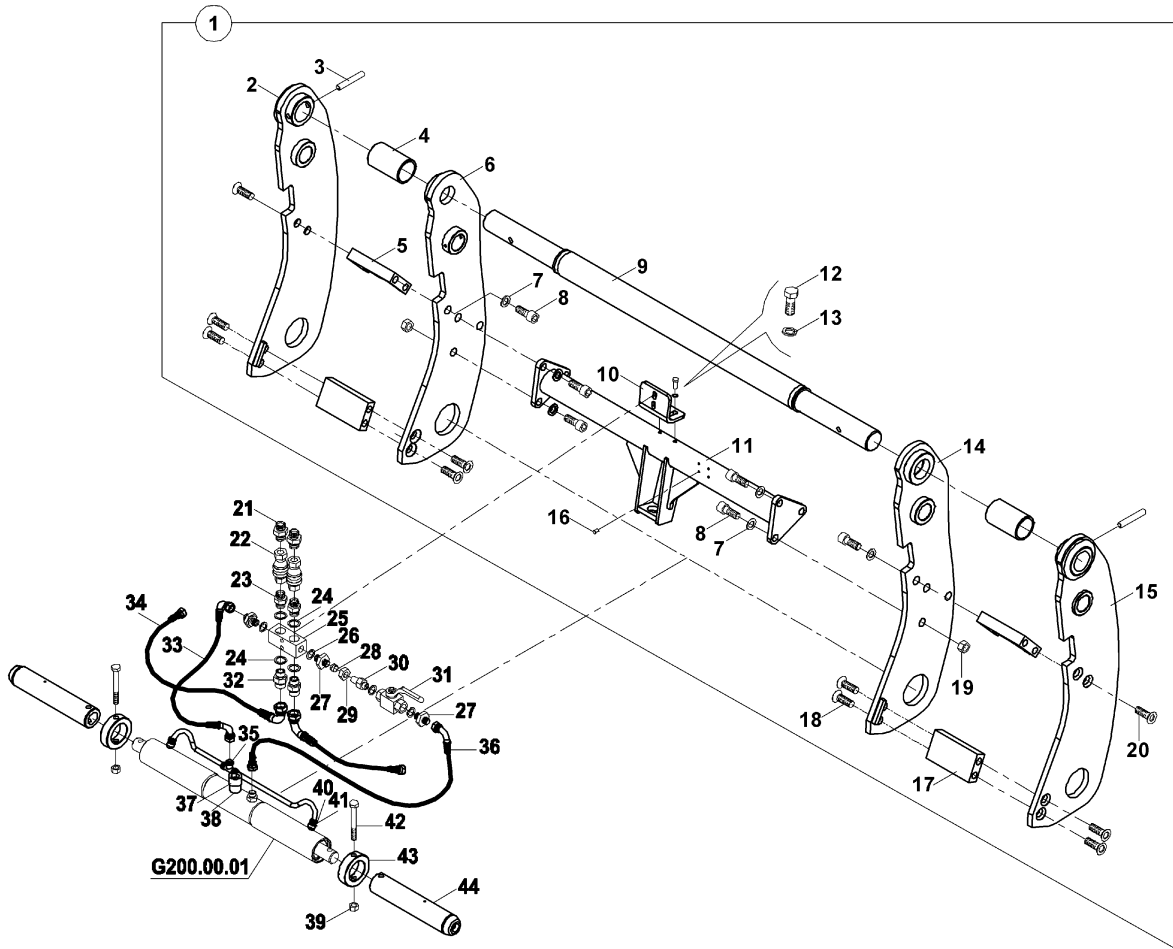
FORKLİFT APARATLI (SABİT KEPÇE 1.2 m3)
FORKLİFT (SHOVEL 1.2 m3)

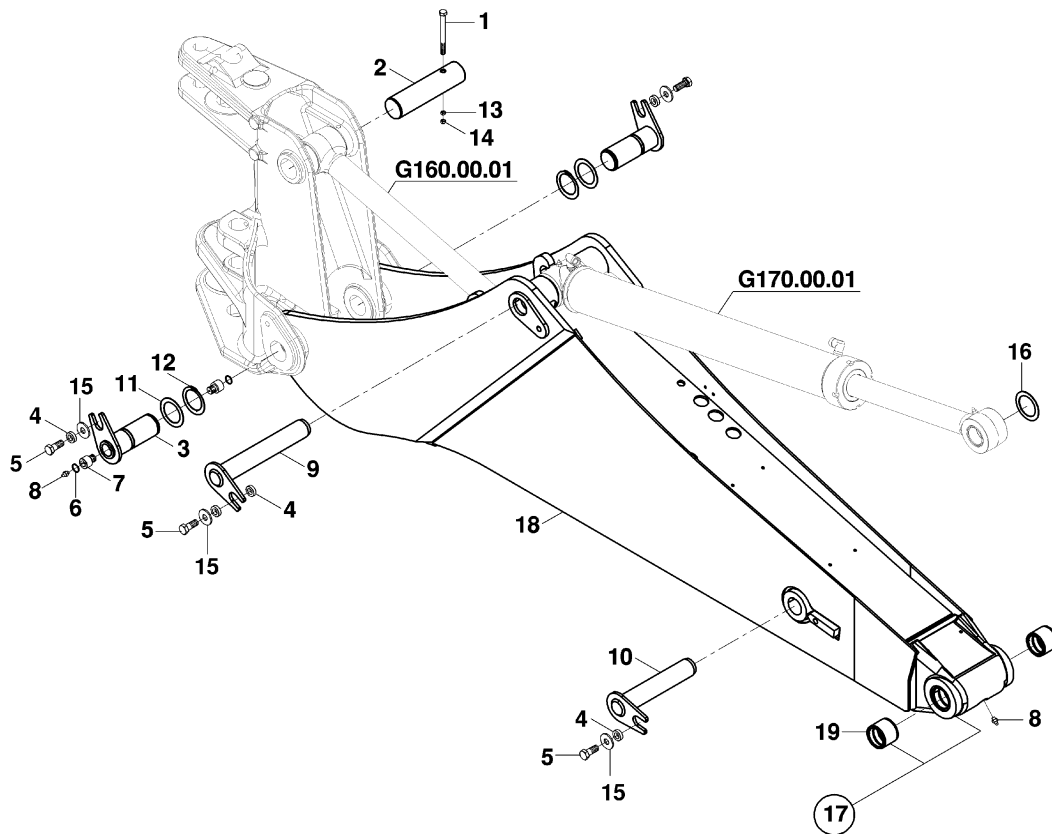


**FORKLİFT APARATLI (SABİT KEPÇE 1.5 m3)
FORKLİFT (SHOVEL 1.5 m3)**

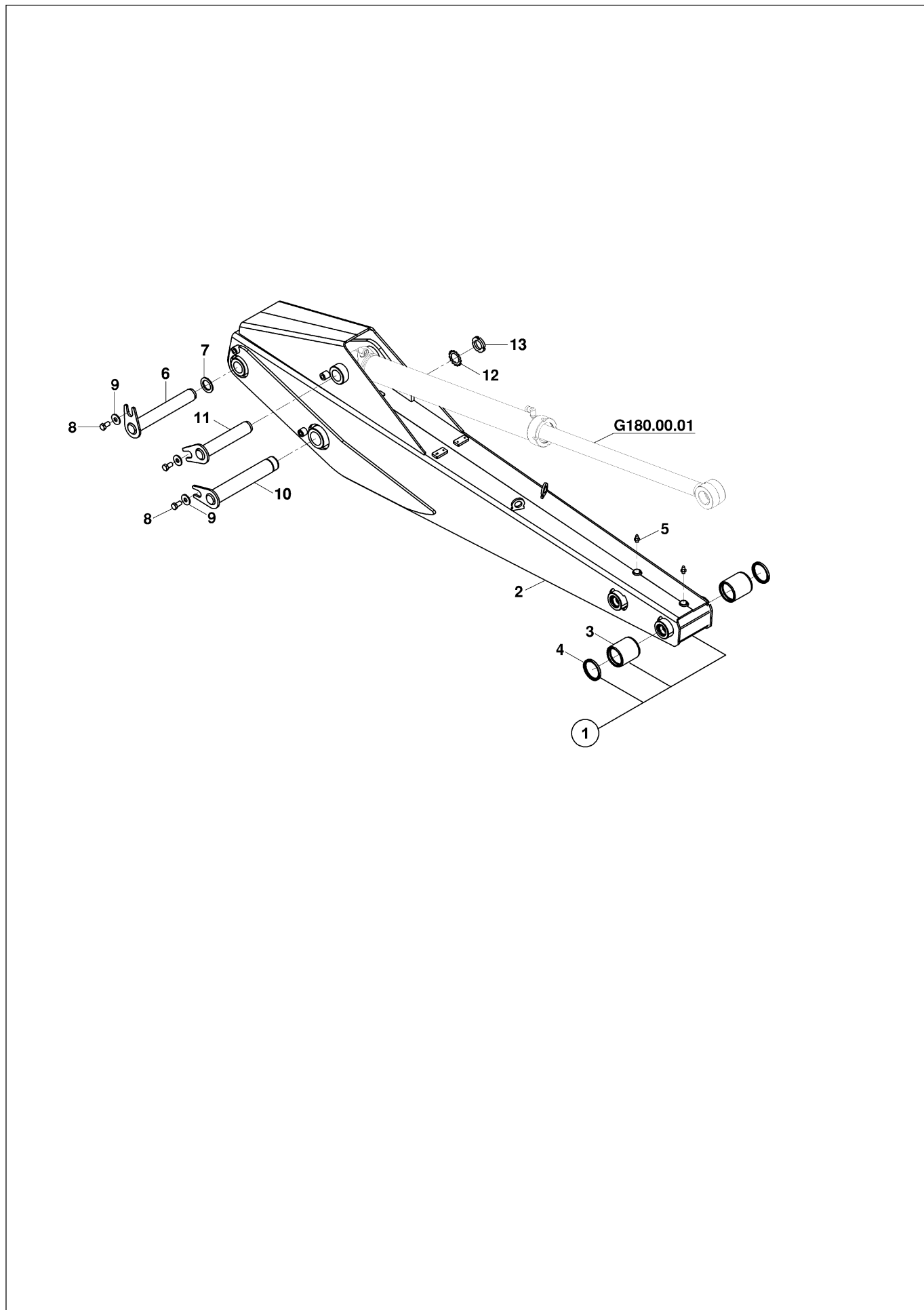


ÇABUK SÖK TAK (YÜKLEYİCİ KEPÇE) QUICK COUPLER (LOADER)

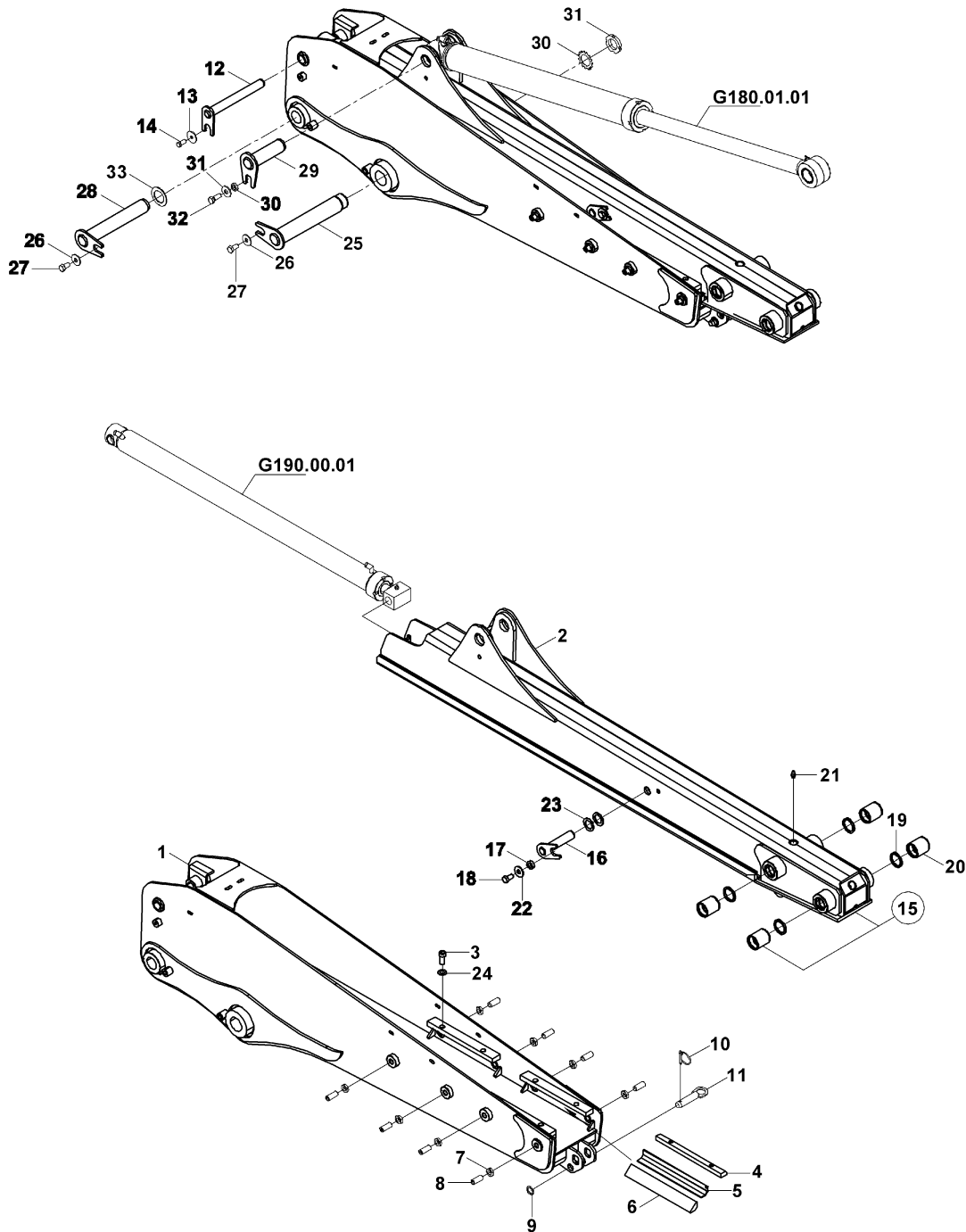


**BOM MONTAJI
BOOM MOUNTING**

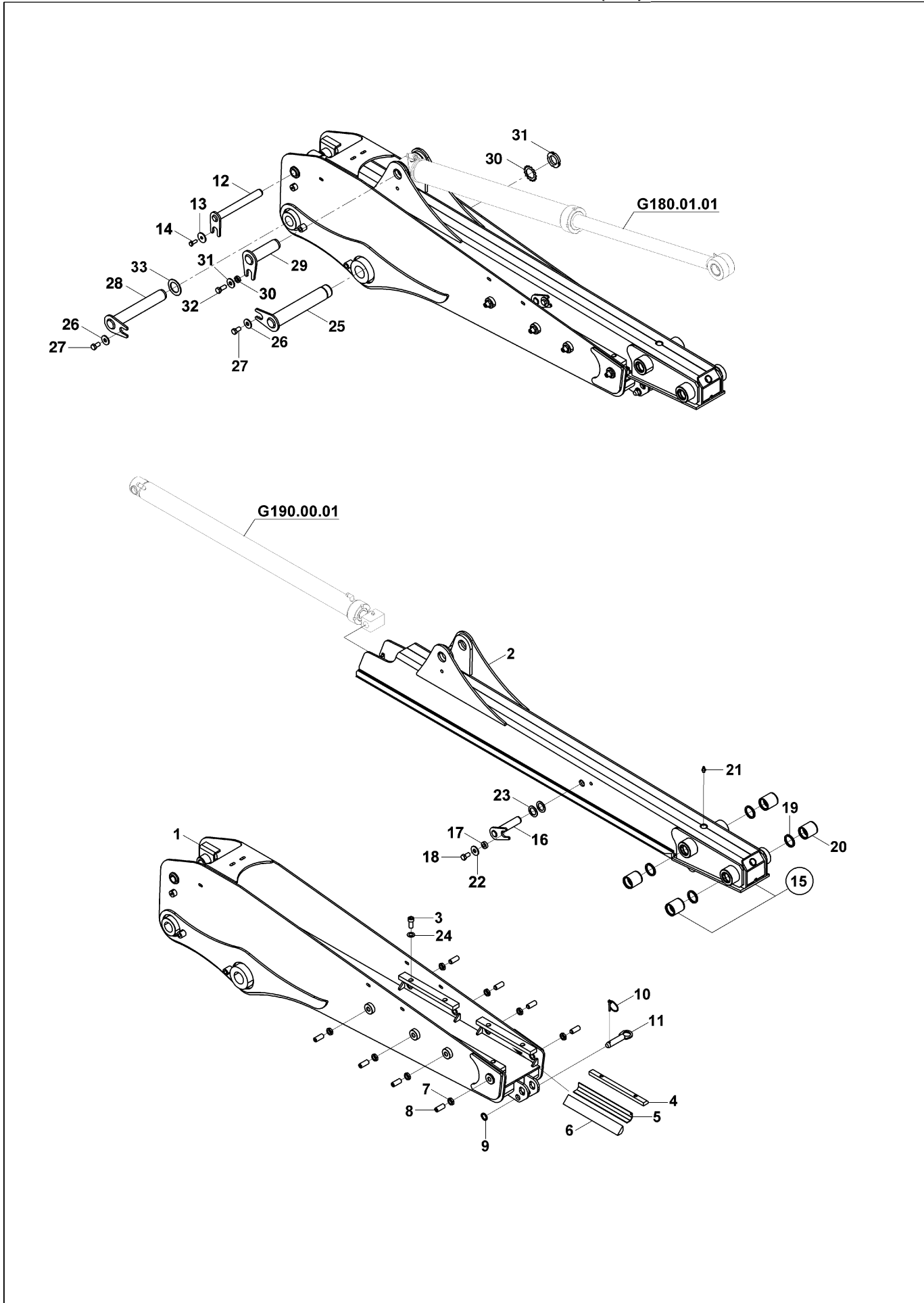
ARM MONTAJI ARM MOUNTING

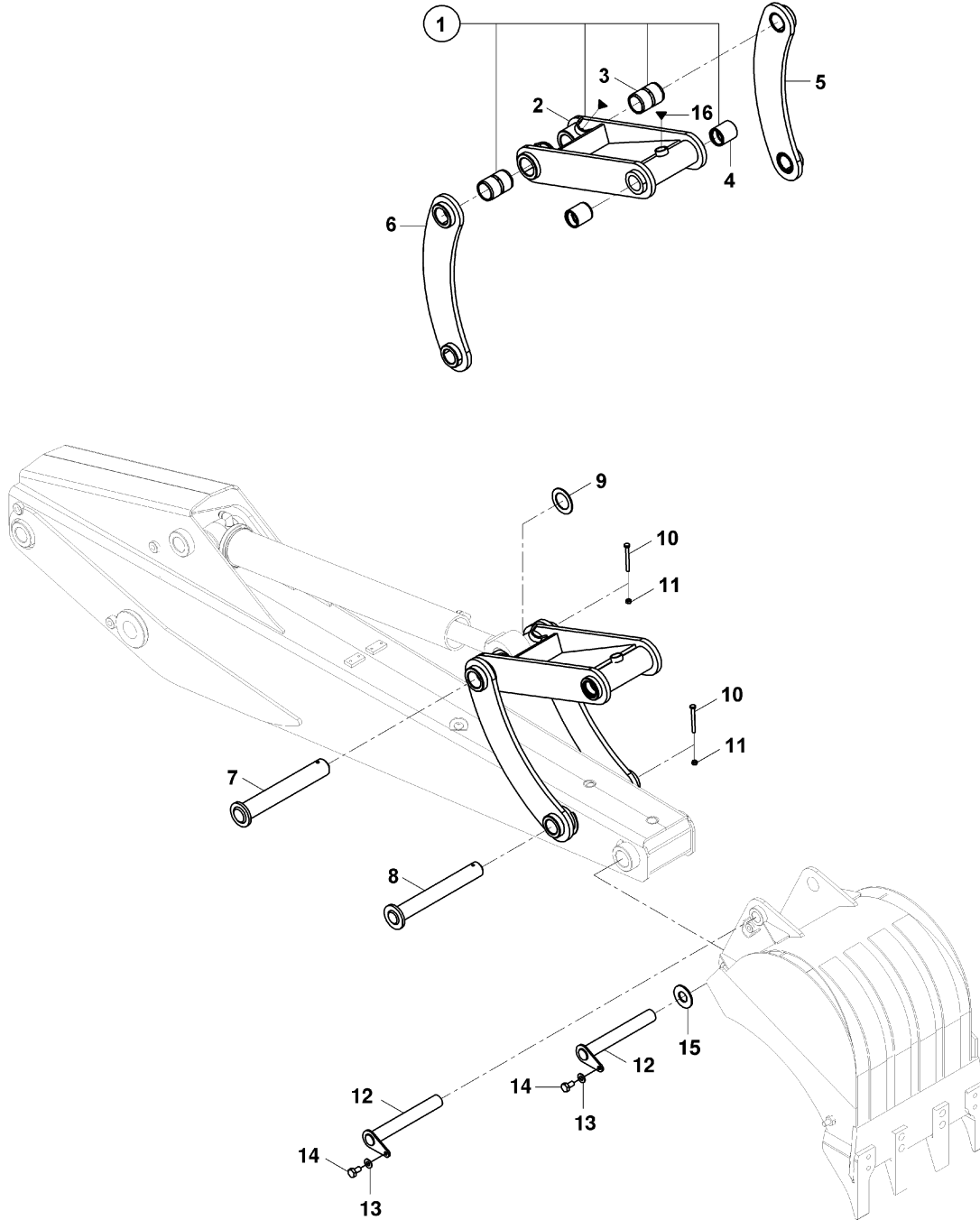


TELESKOPIK ARM MONTAJI (OP) TELESCOPIC ARM MOUNTING (OP)

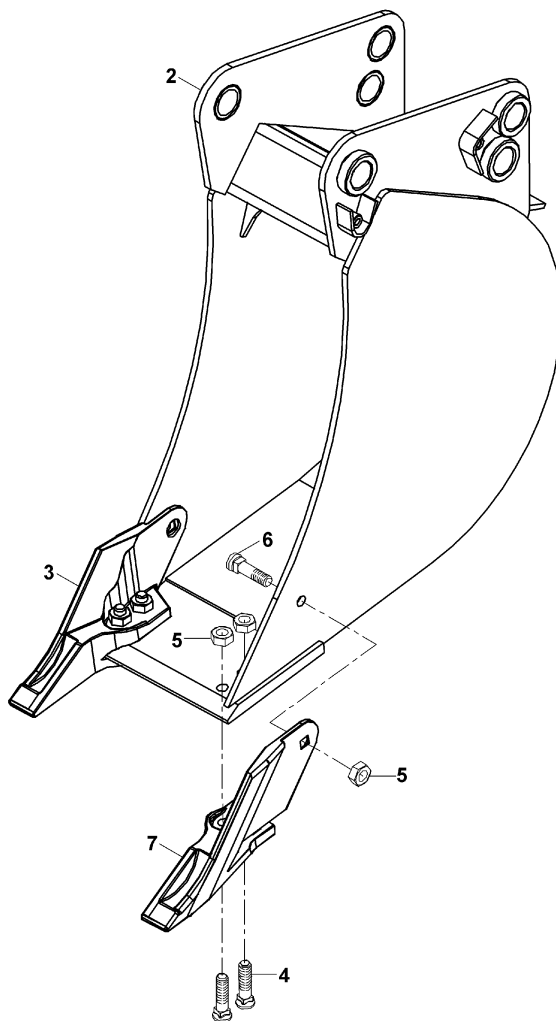


TELESKOPIK ARM MONTAJI (OP) TELESCOPIC ARM MONTAJI (OP)

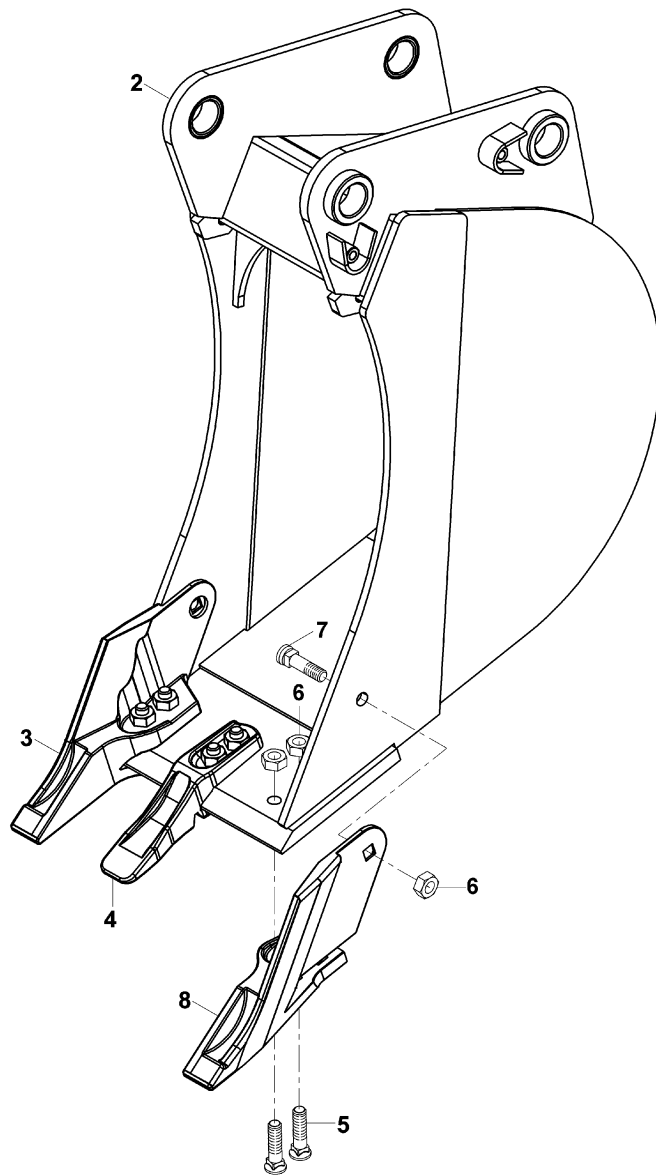


**KEPÇE BAĞLANTISI
BUCKET LINKAGE**

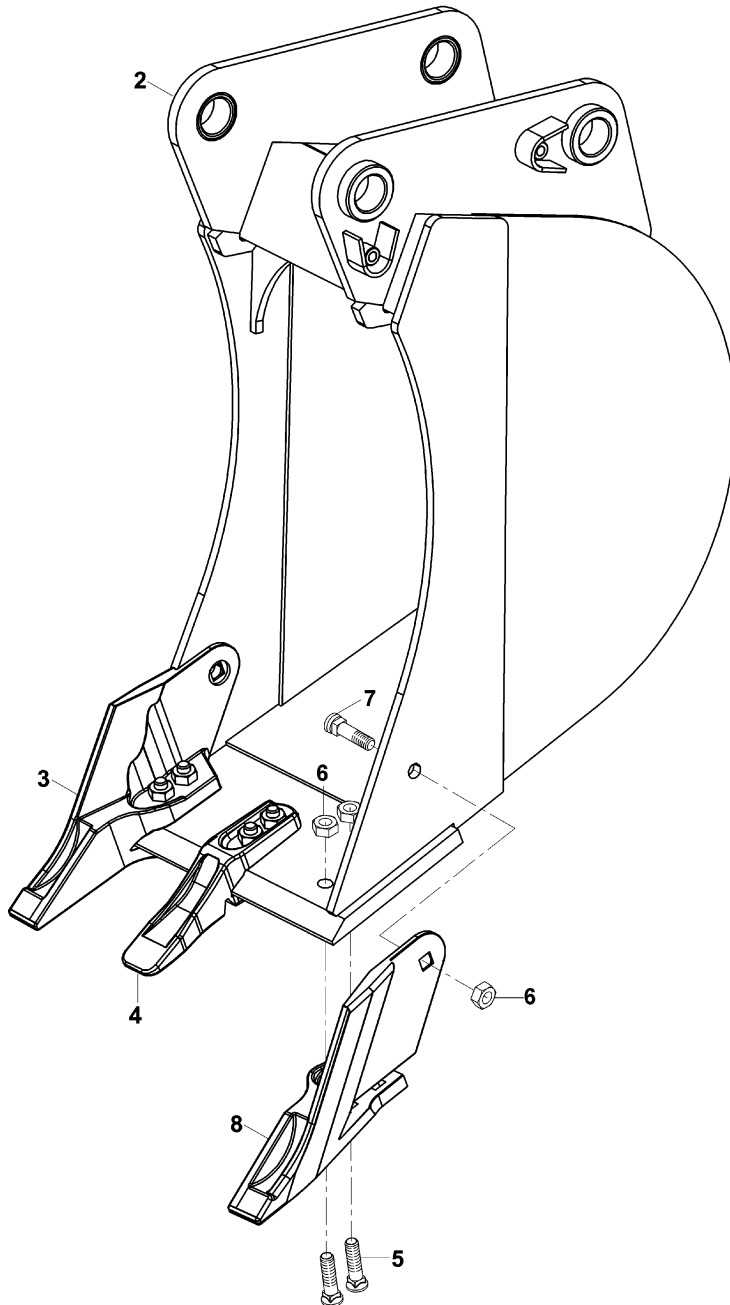
KEPÇE, KAZICI (300 mm)
BUCKET, BACKHOE (300 mm)



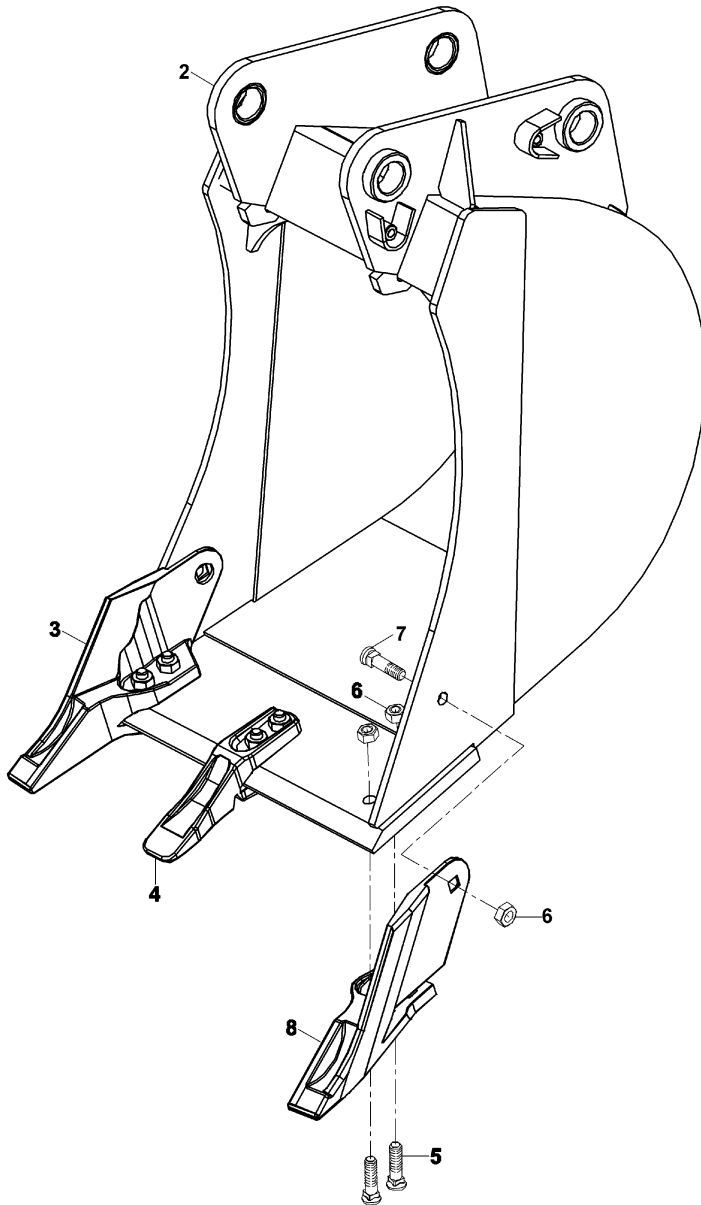
KEPÇE, KAZICI (350 mm)
BUCKET, BACKHOE (350 mm)



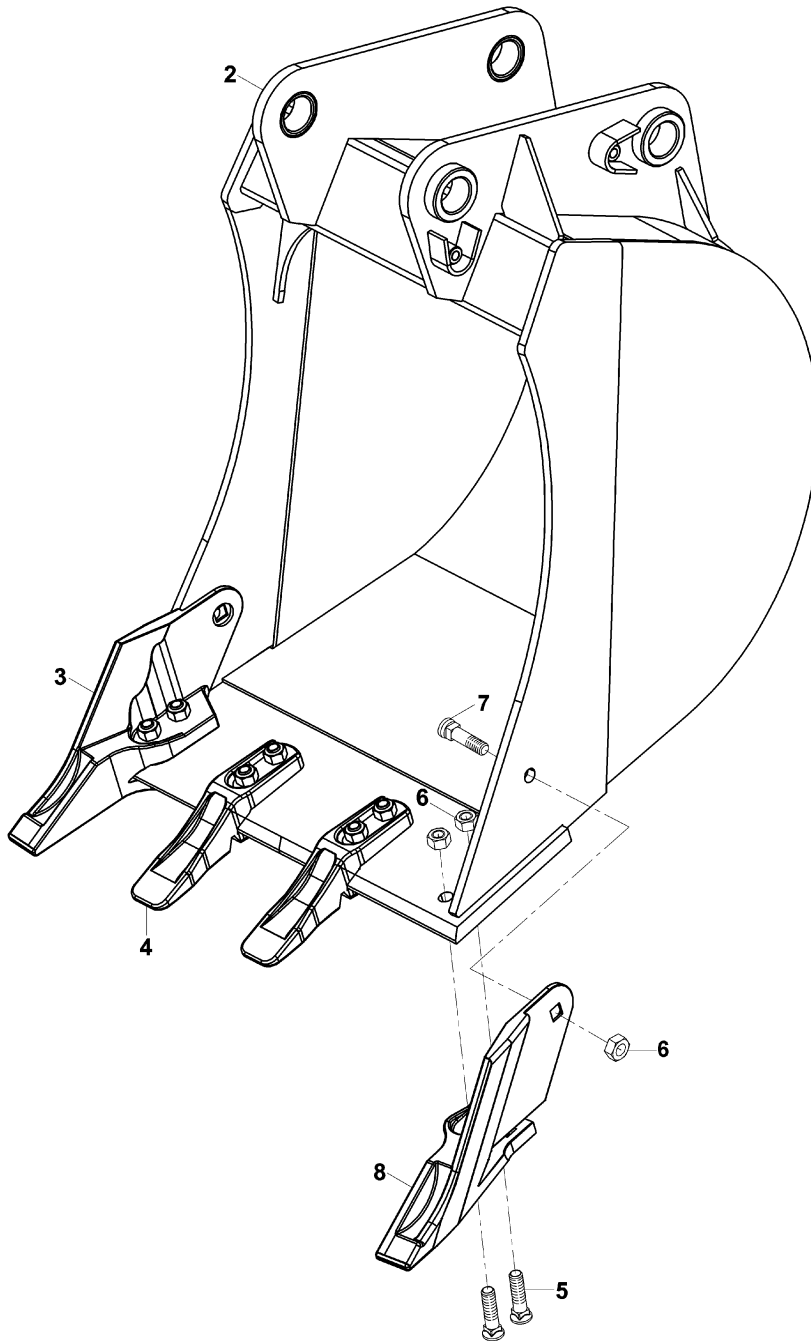
KEPÇE, KAZICI (400 mm)
BUCKET, BACKHOE (400 mm)



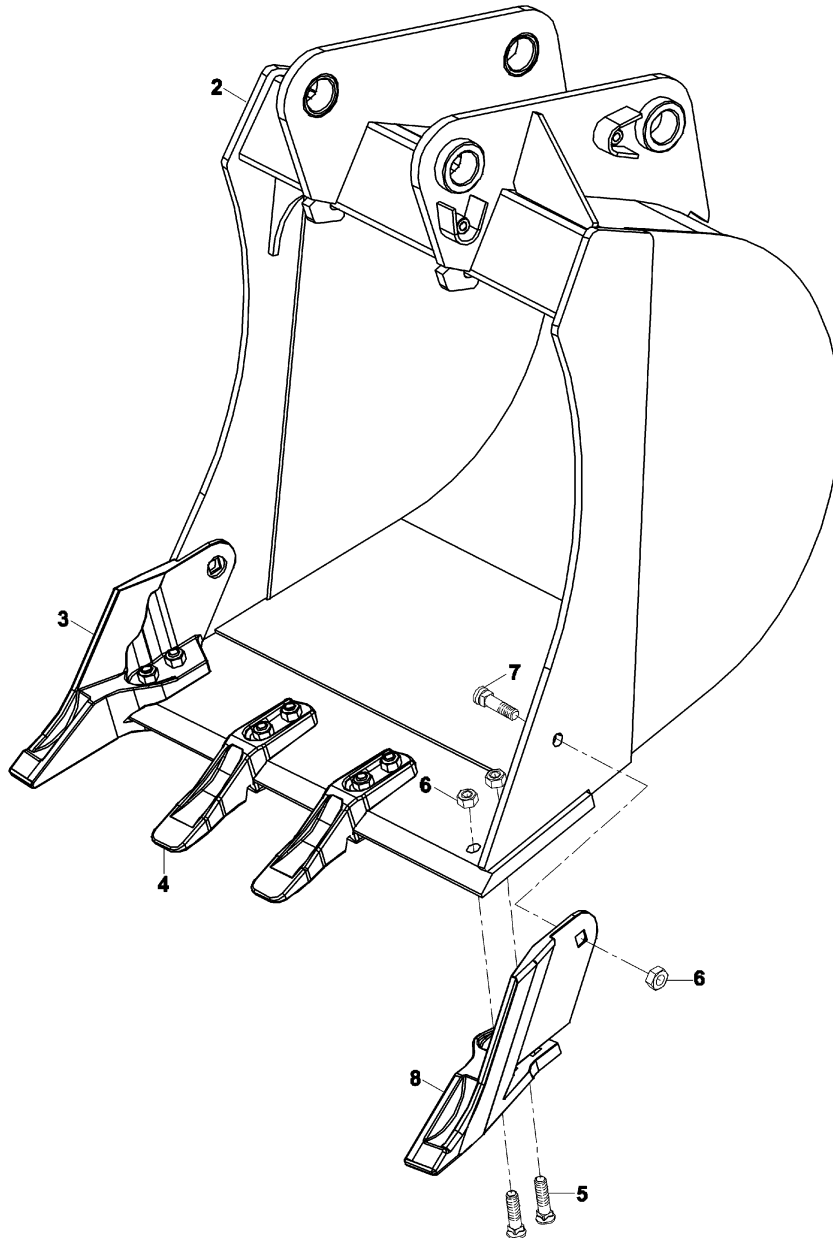
KEPÇE, KAZICI (500 mm)
BUCKET, BACKHOE (500 mm)



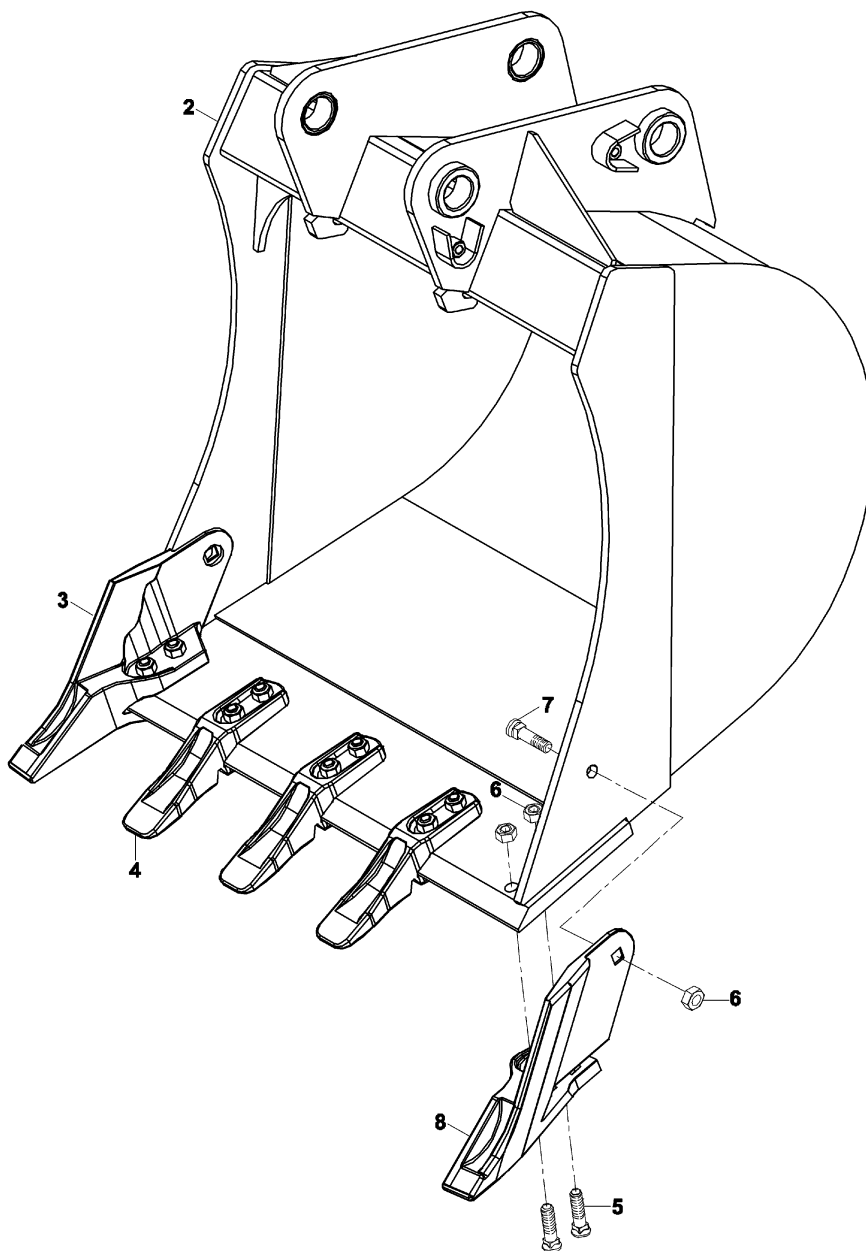
KEPÇE, KAZICI (600 mm)
BUCKET, BACKHOE (600 mm)



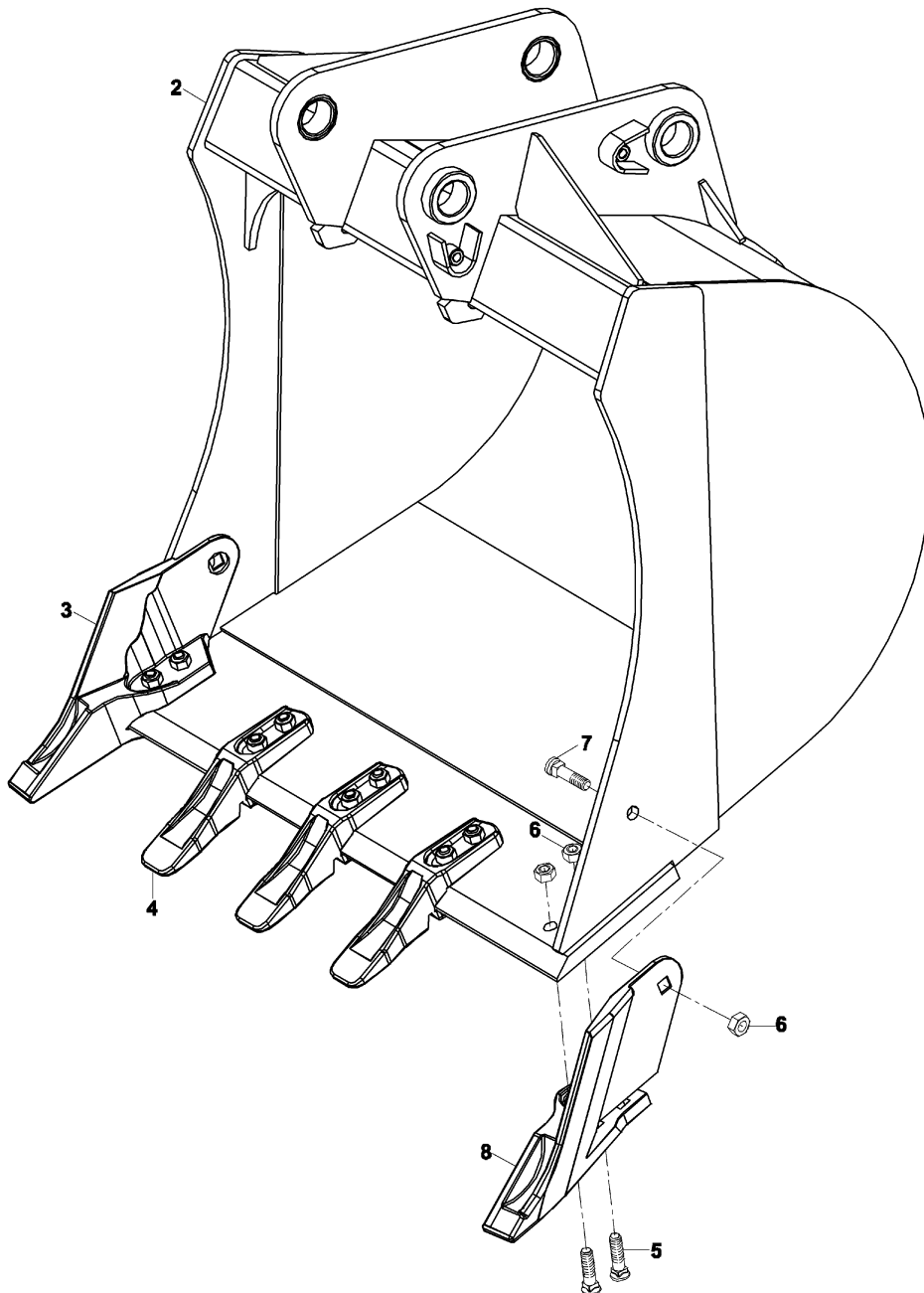
KEPÇE, KAZICI (700 mm)
BUCKET, BACKHOE (700 mm)



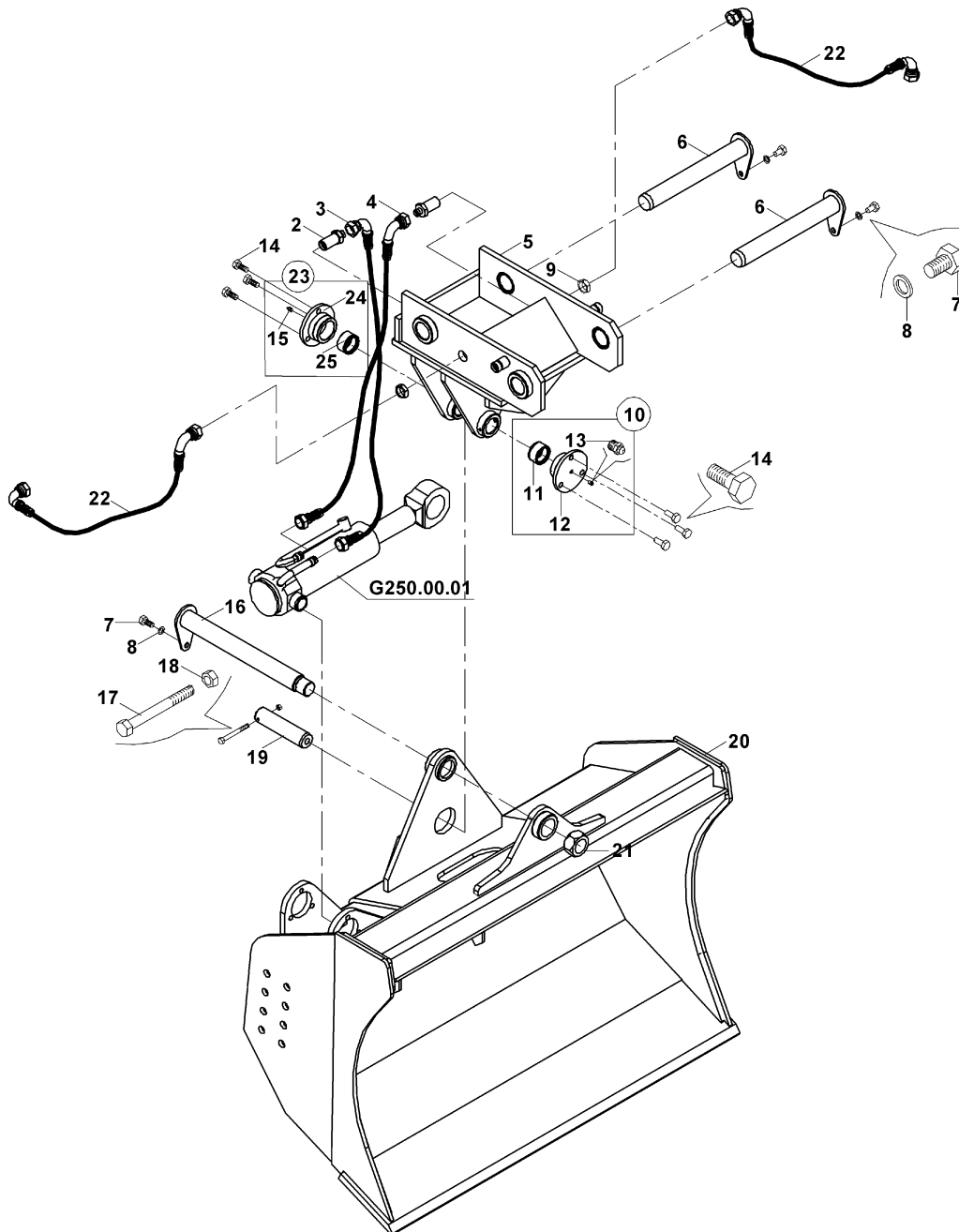
KEPÇE, KAZICI (800 mm)
BUCKET, BACKHOE (800 mm)



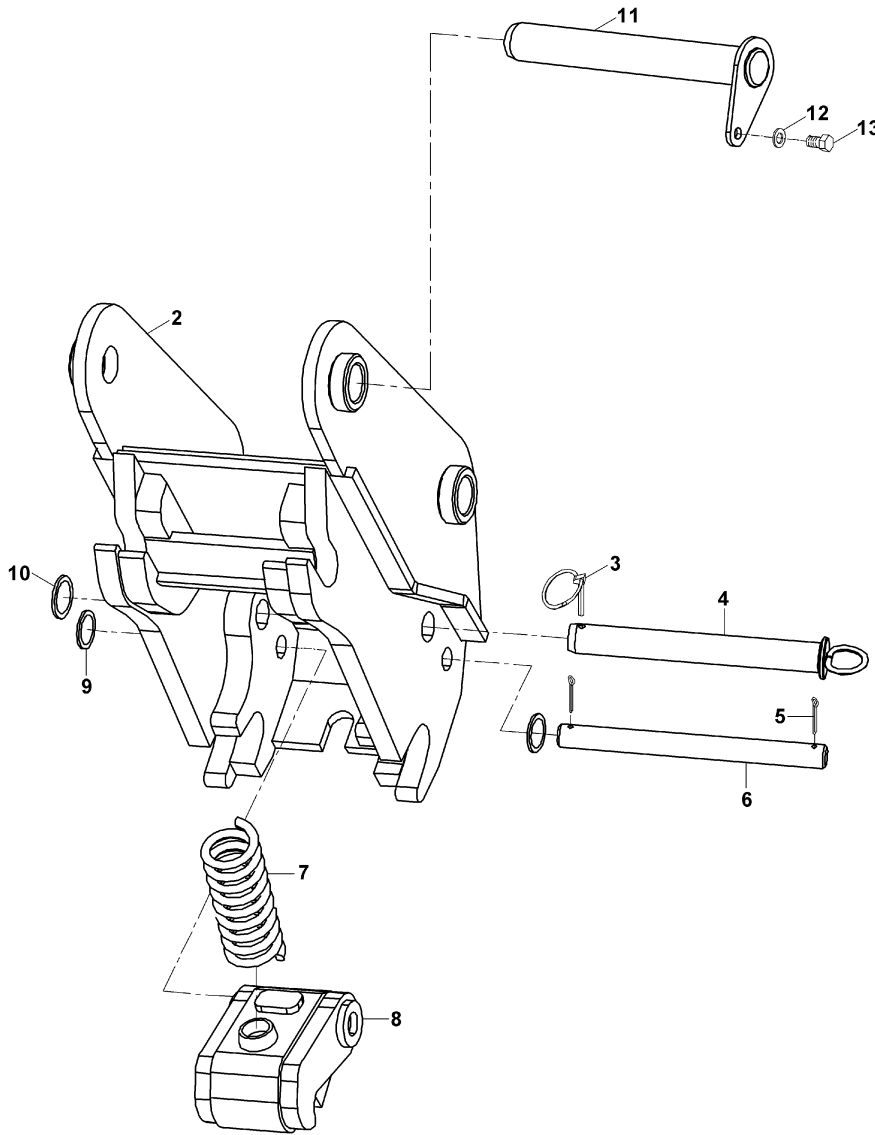
KEPÇE, KAZICI (900 mm)
BUCKET, BACKHOE (900 mm)



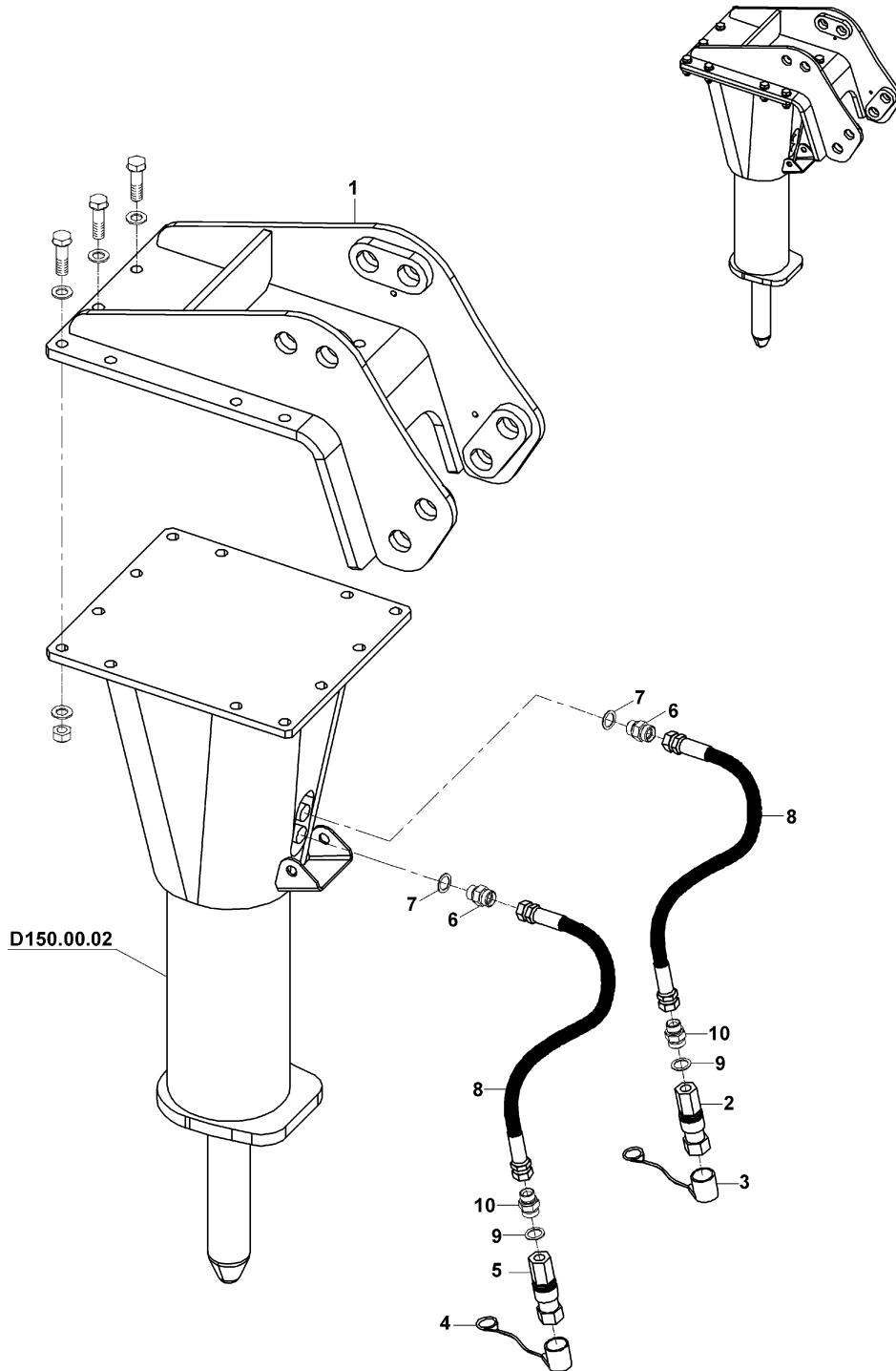
DÖNERLİ KANAL KEPÇESİ TILTING BUCKET



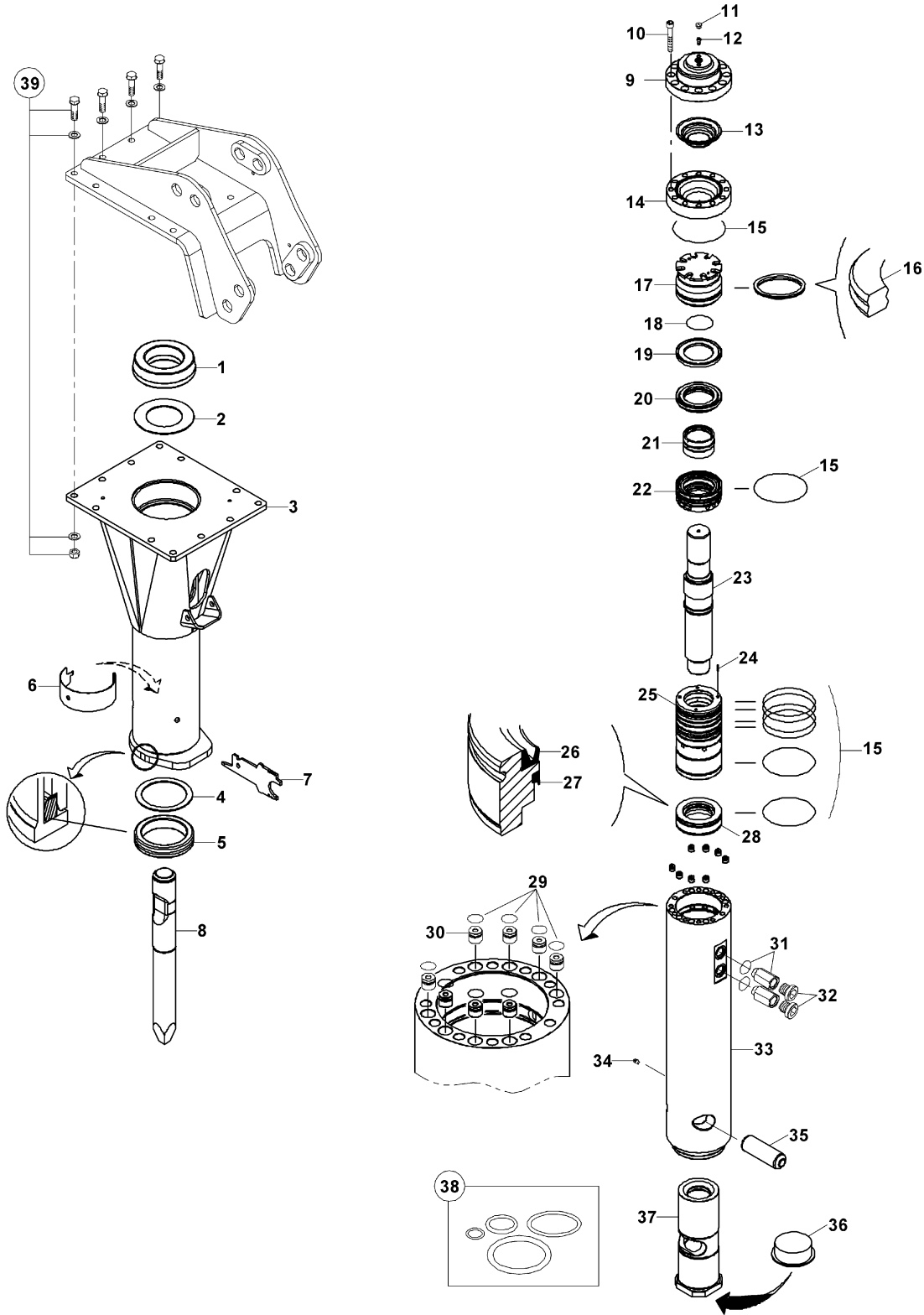
ÇABUK SÖK TAK, KAZICI
QUICK COUPLER, BACKHOE



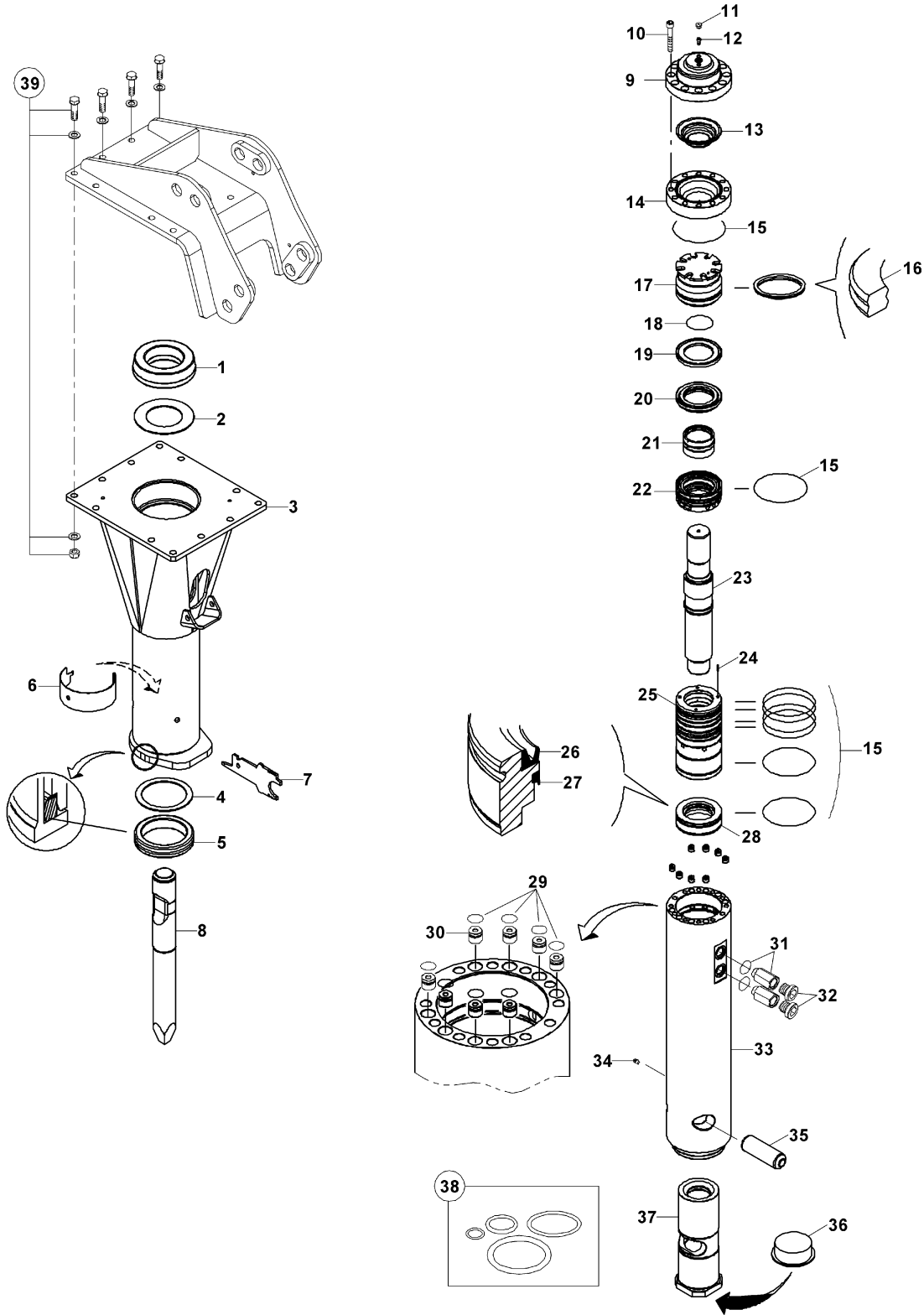
KIRICI MONTAJI (MONTABERT- SC 36) BREAKER MOUNTING (MONTABERT- SC 36)



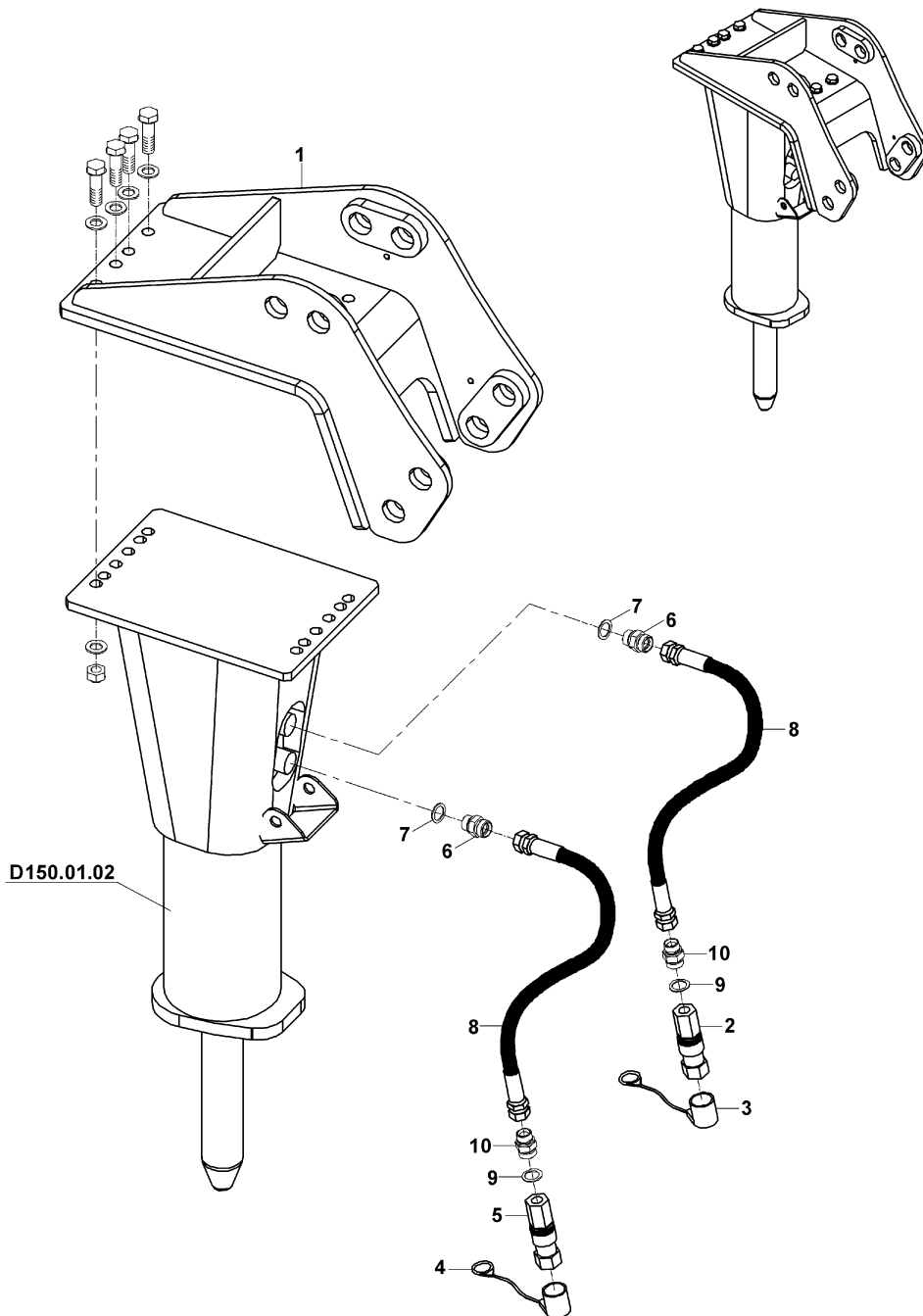
KIRICI KOMPLESİ (MONTABERT- SC 36) BREAKER ASSEMBLY (MONTABERT- SC 36)



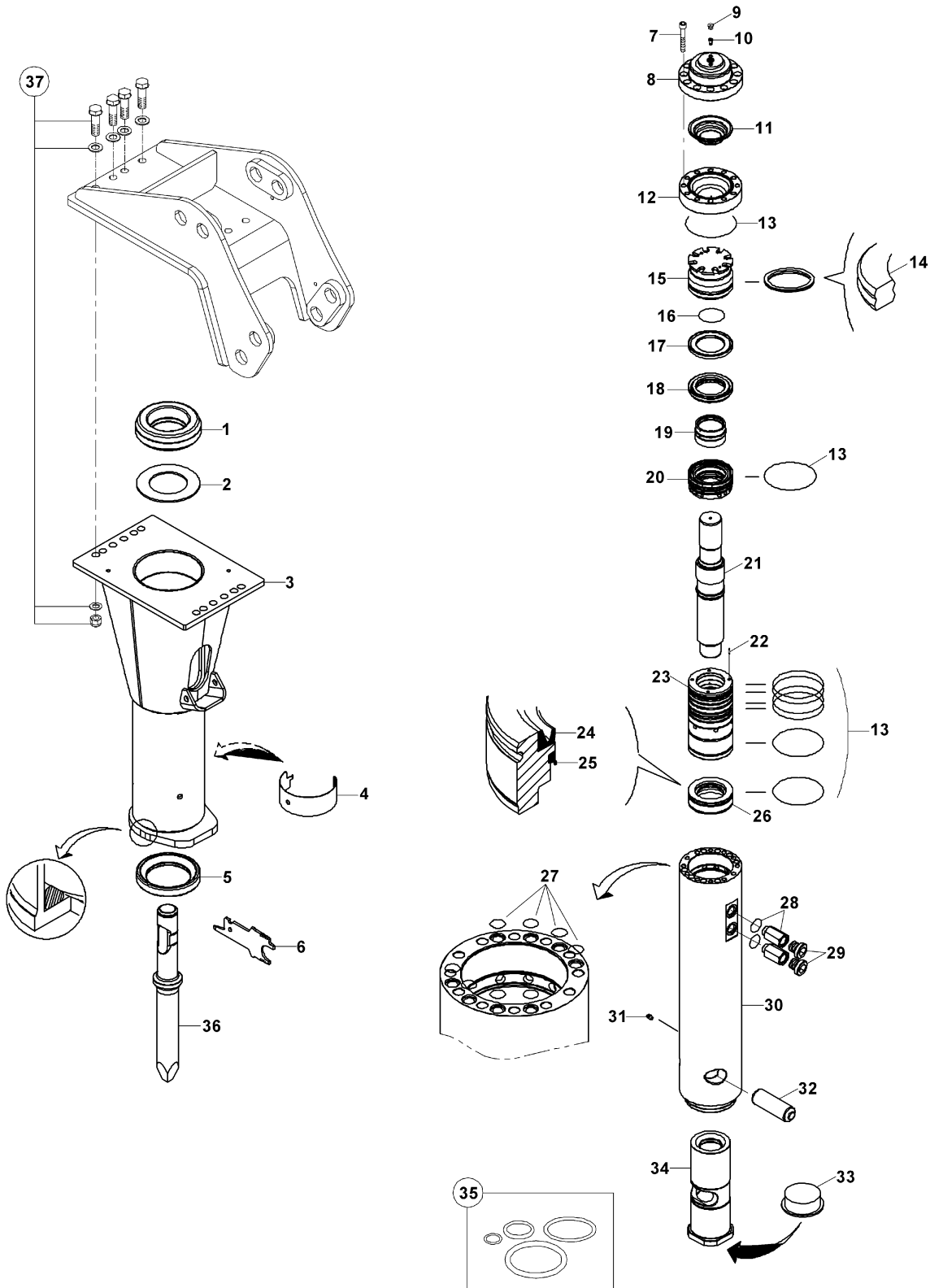
KIRICI KOMPLESİ (MONTABERT- SC 36) BREAKER ASSEMBLY (MONTABERT- SC 36)



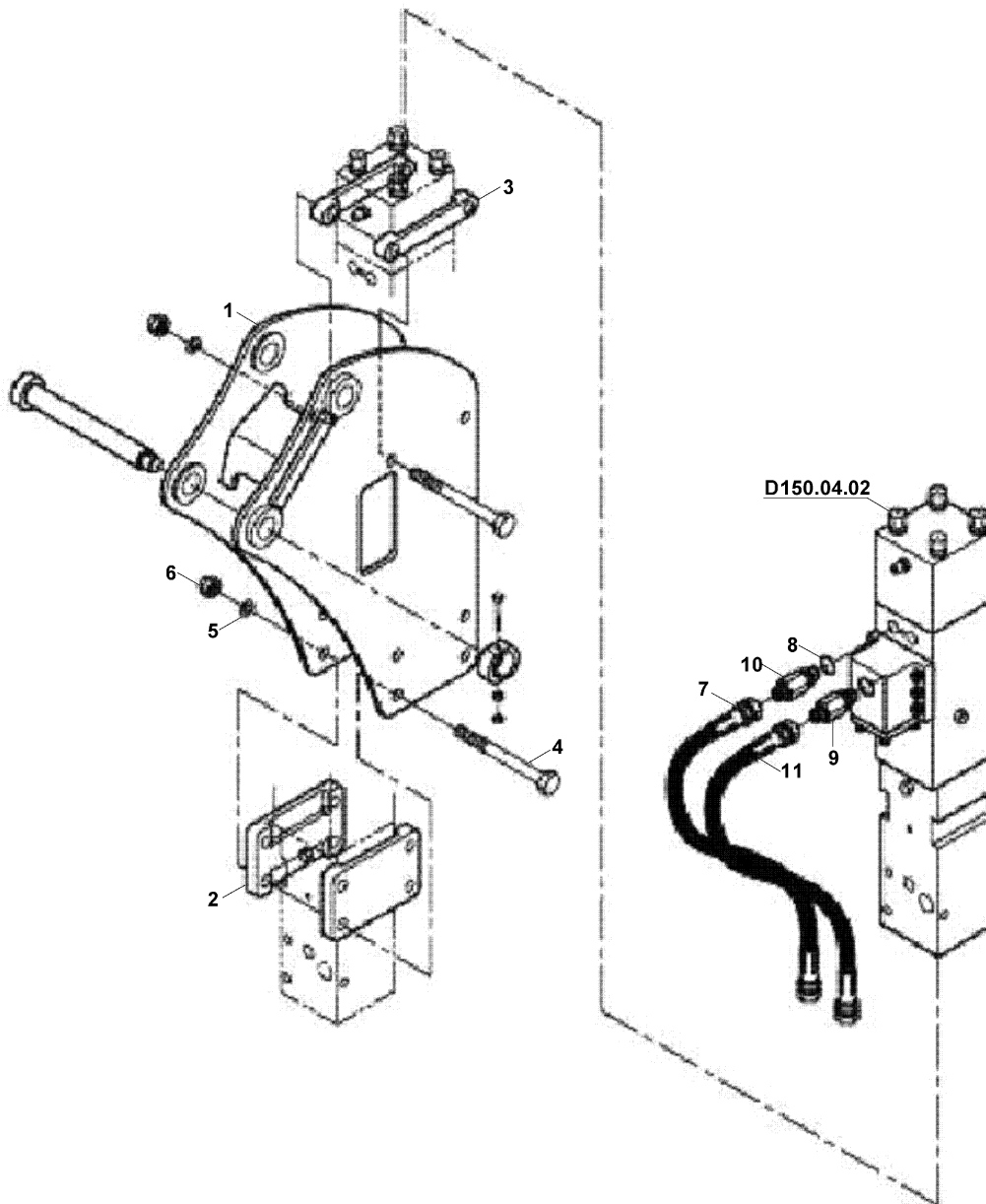
KIRICI MONTAJI (MONTABERT- SC 28) BREAKER MOUNTING (MONTABERT- SC 28)



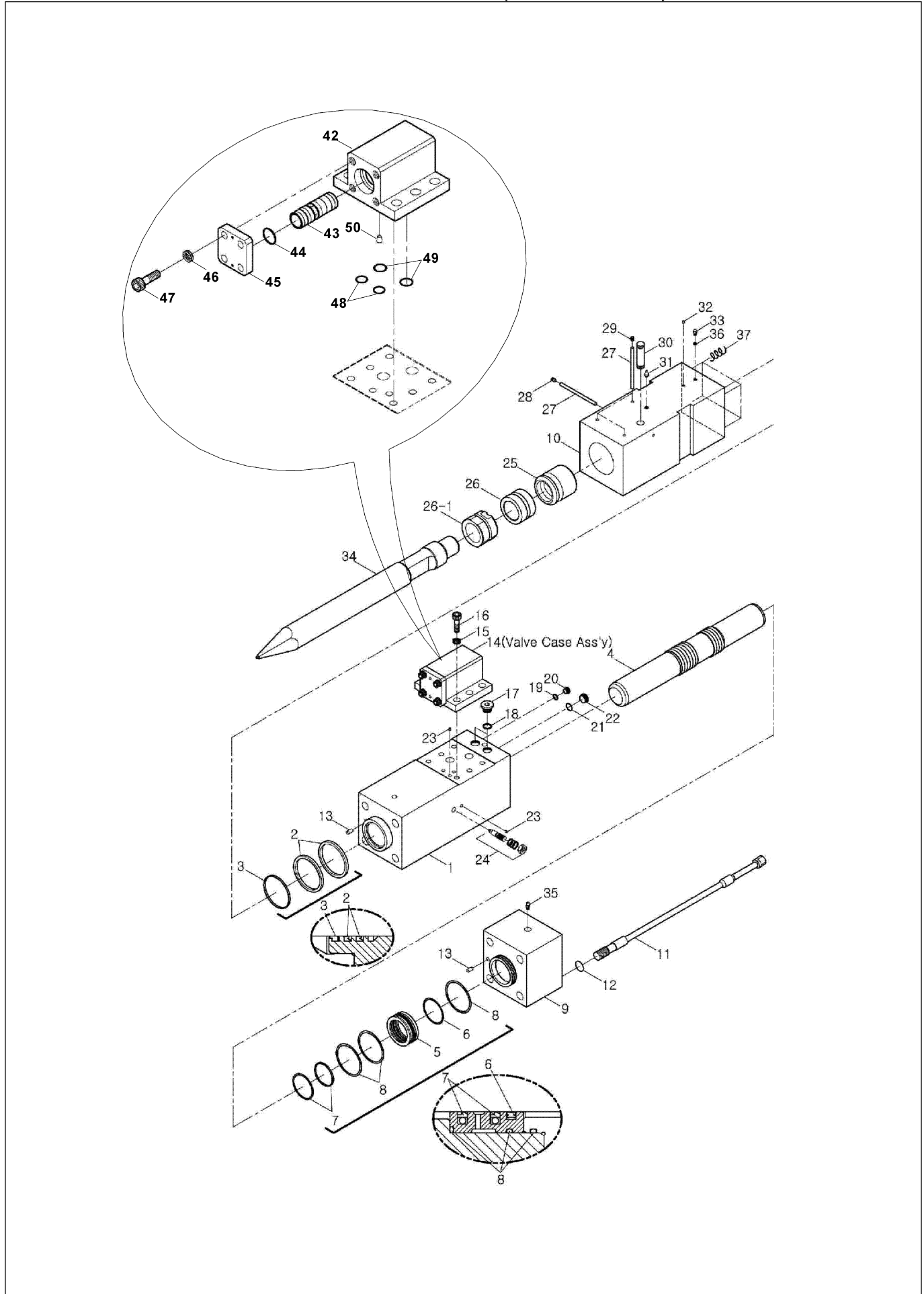
KIRICI KOMPLESİ (MONTABERT- SC 28)
BREAKER ASSEMBLY (MONTABERT- SC 28)



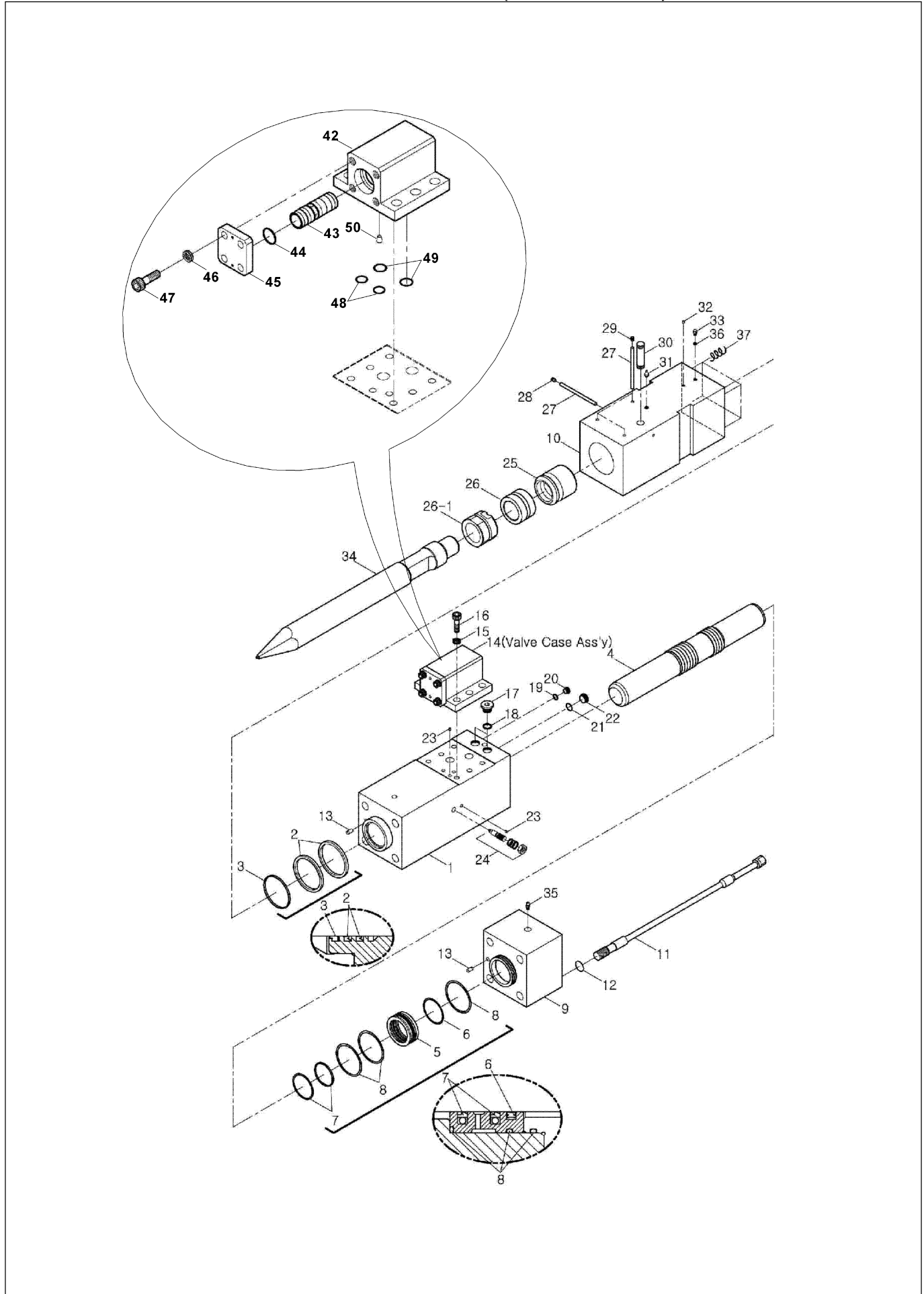
KIRICI MONTAJI (DEMO DMB50)
BREAKER MOUNTING (DEMO DMB50)



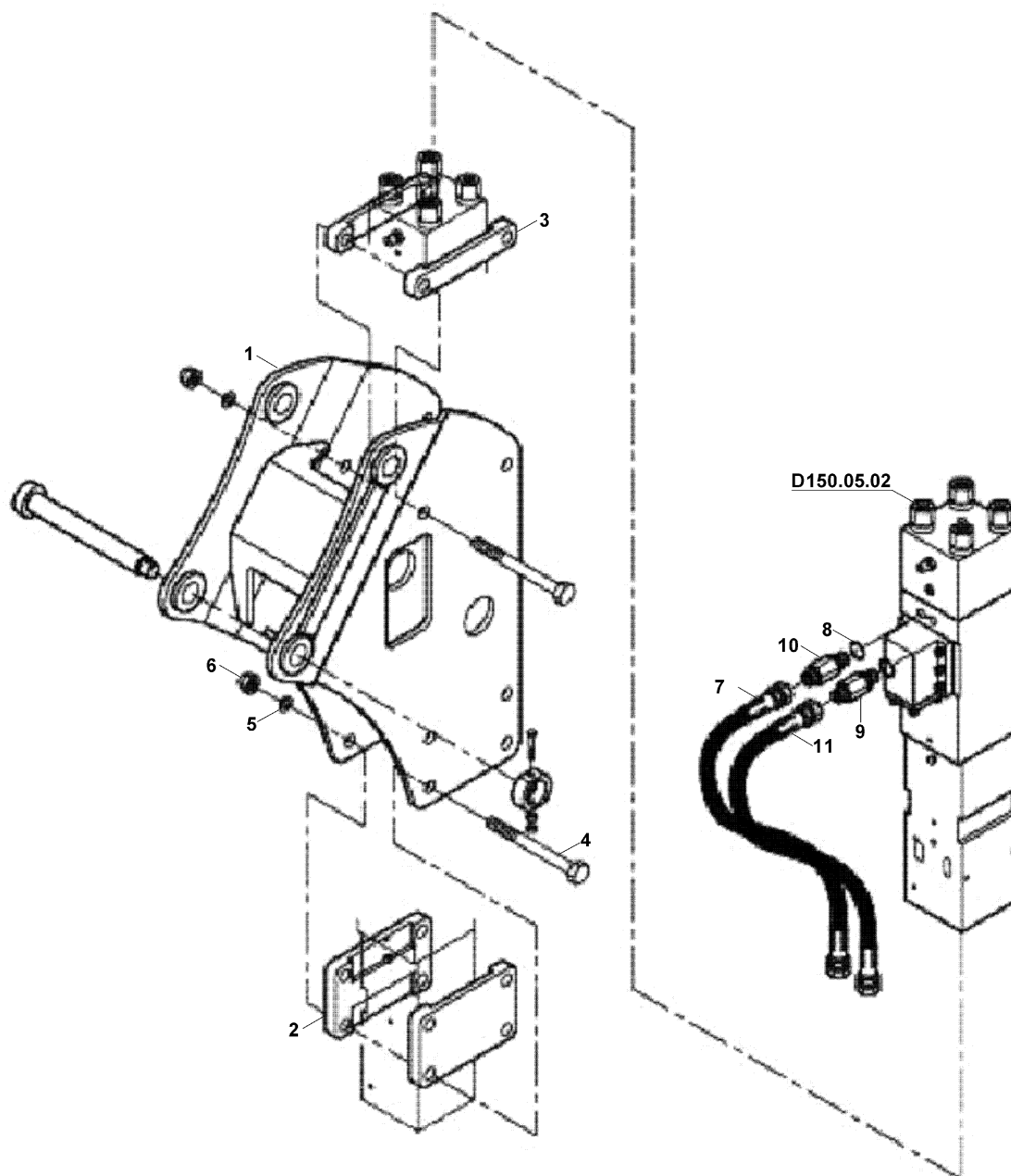
KIRICI KOMPLESİ (DEMO DMB50)
BREAKER ASSEMBLY (DEMO DMB50)



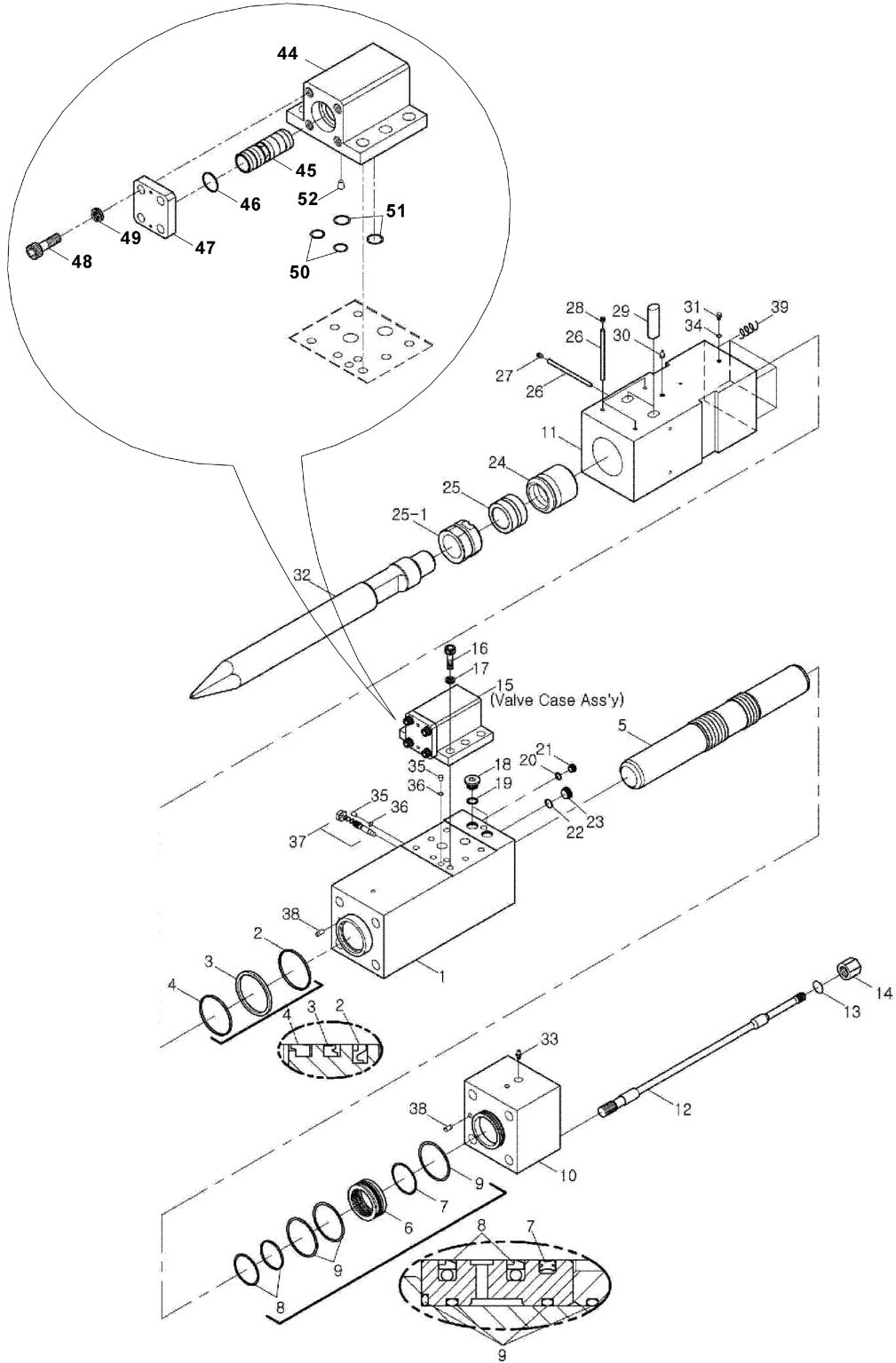
KIRICI KOMPLESİ (DEMO DMB50)
BREAKER ASSEMBLY (DEMO DMB50)



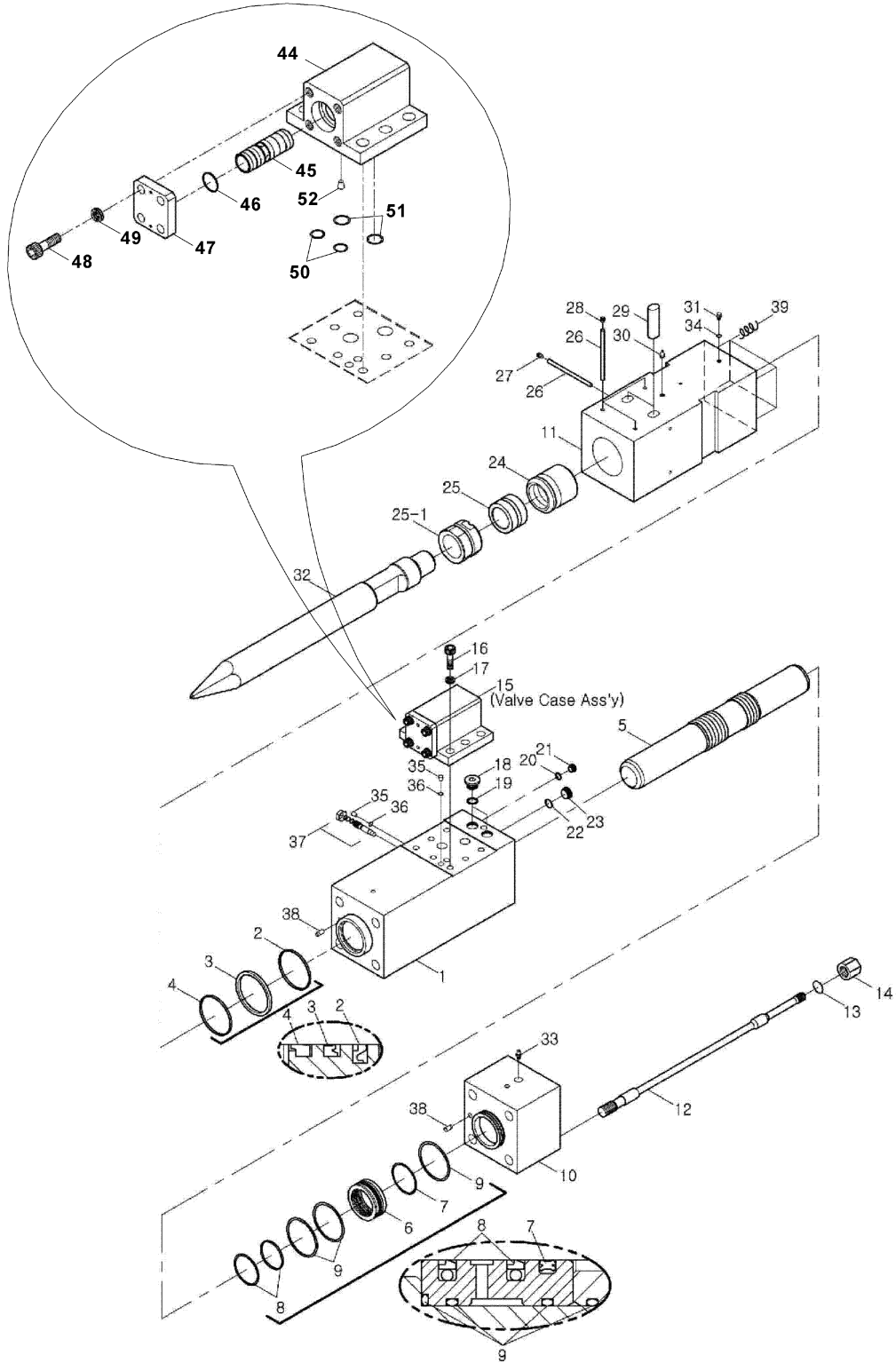
KIRICI MONTAJI (DEMO DMB70)
BREAKER MOUNTING (DEMO DMB70)



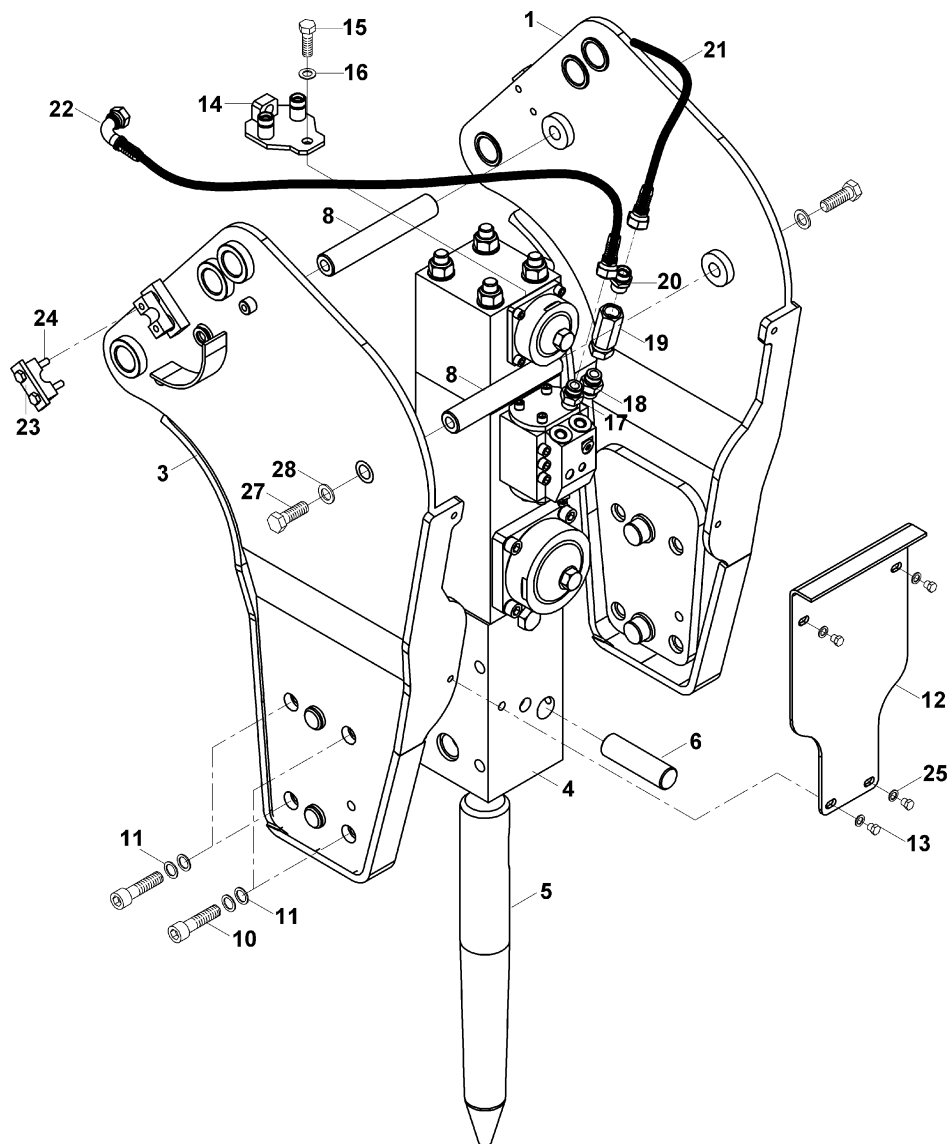
KIRICI KOMPLESİ (DEMO DMB70)
BREAKER ASSEMBLY (DEMO DMB70)



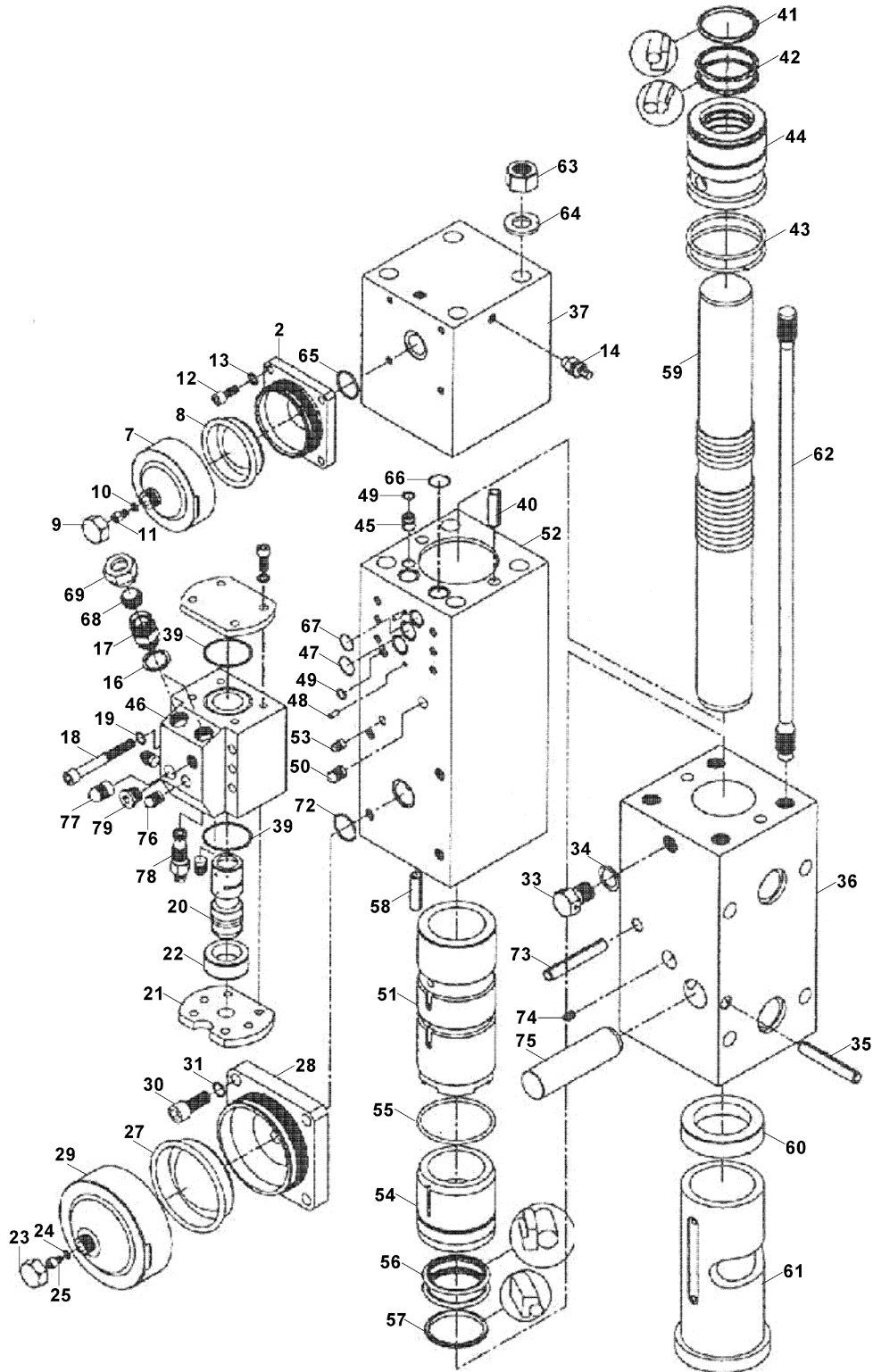
KIRICI KOMPLESİ (DEMO DMB70)
BREAKER ASSEMBLY (DEMO DMB70)



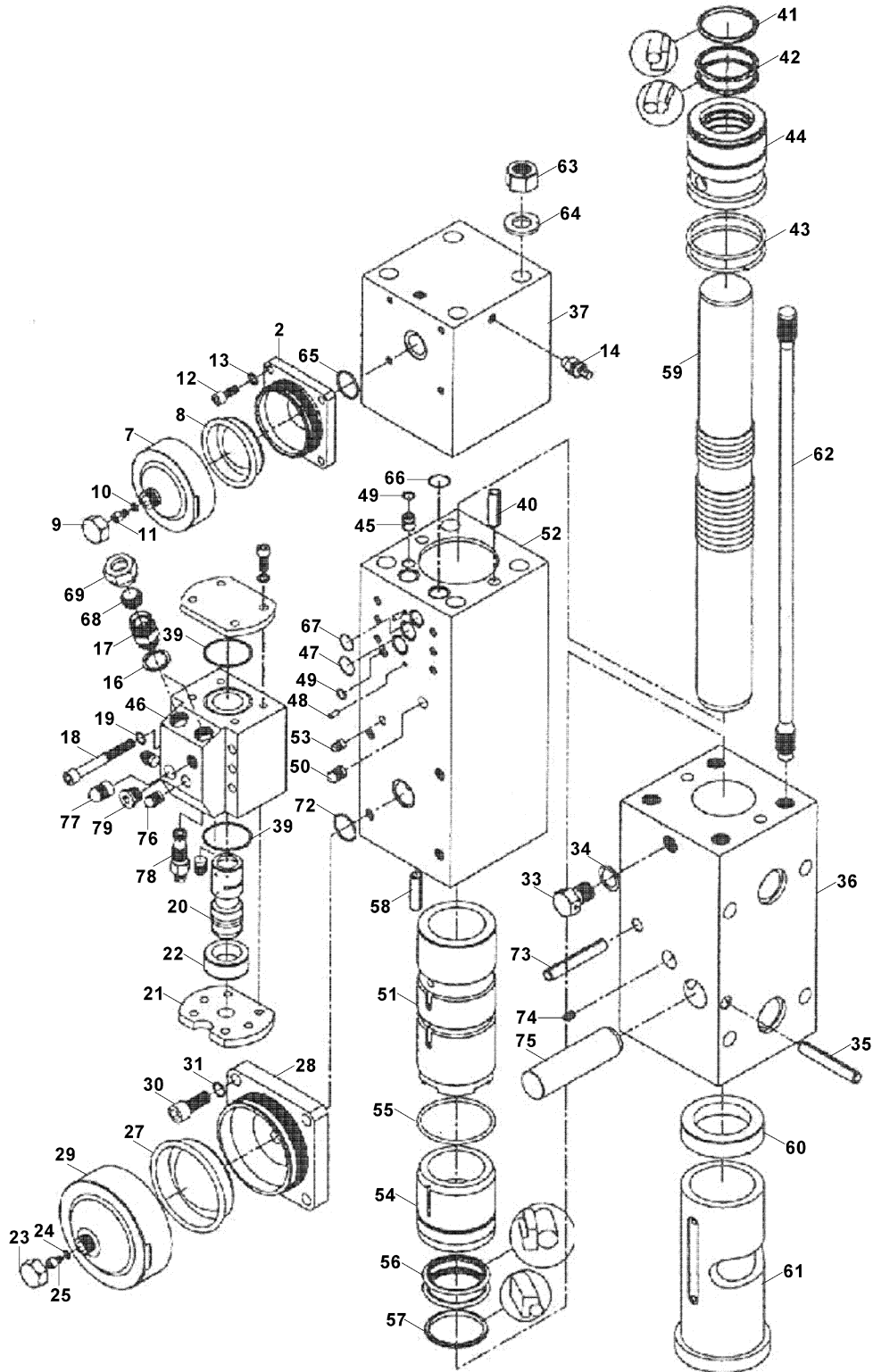
KIRICI MONTAJI (LİFTON LH 360) BREAKER MOUNTING (LIFTON LH 360)



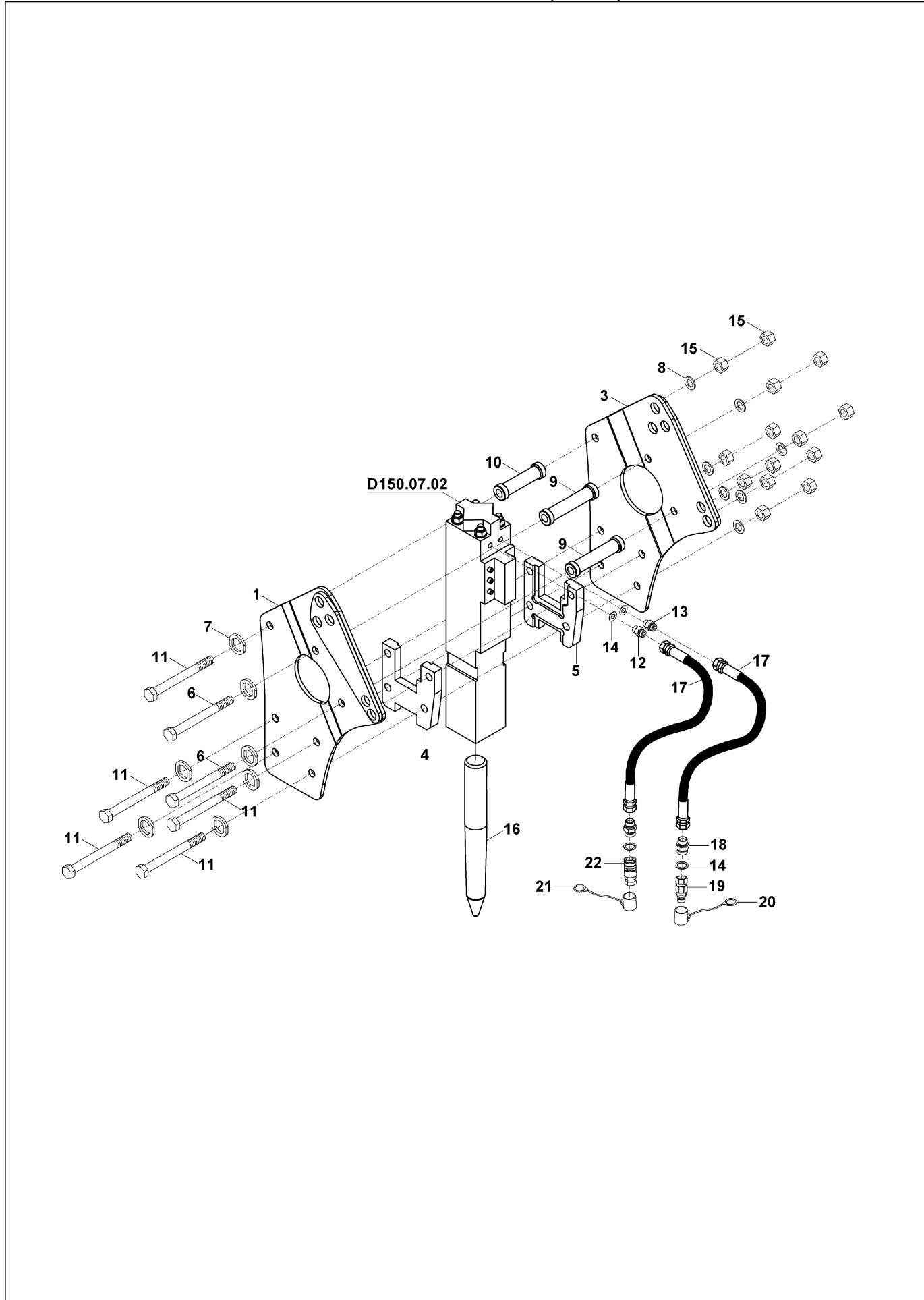
KIRICI KOMPLESİ (LIFTON LH 360)
BREAKER ASSEMBLY (LIFTON LH 360)



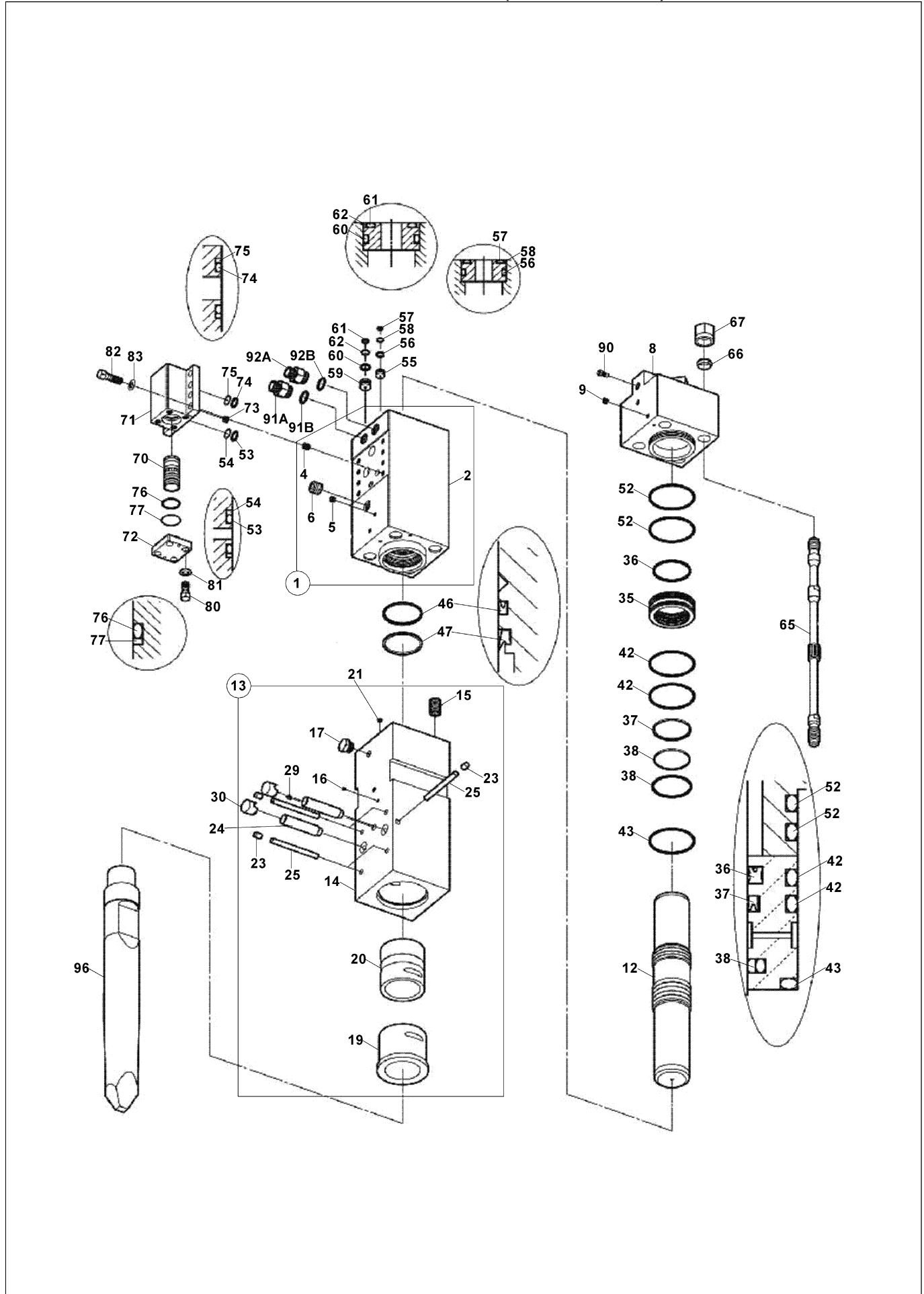
KIRICI KOMPLESİ (LIFTON LH 360) BREAKER ASSEMBLY (LIFTON LH 360)



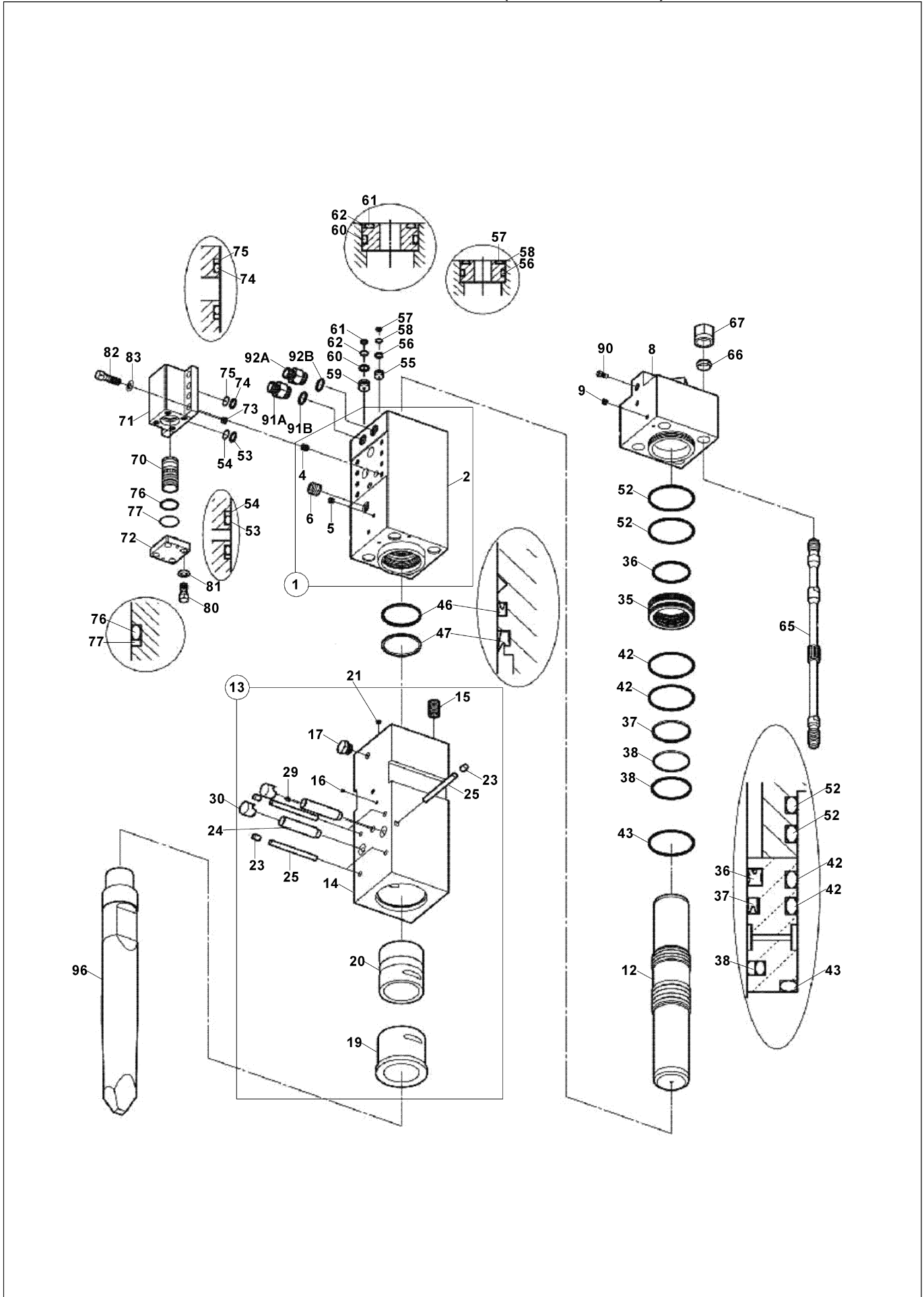
KIRICI MONTAJI (TOKU) BREAKER MOUNTING (TOKU)



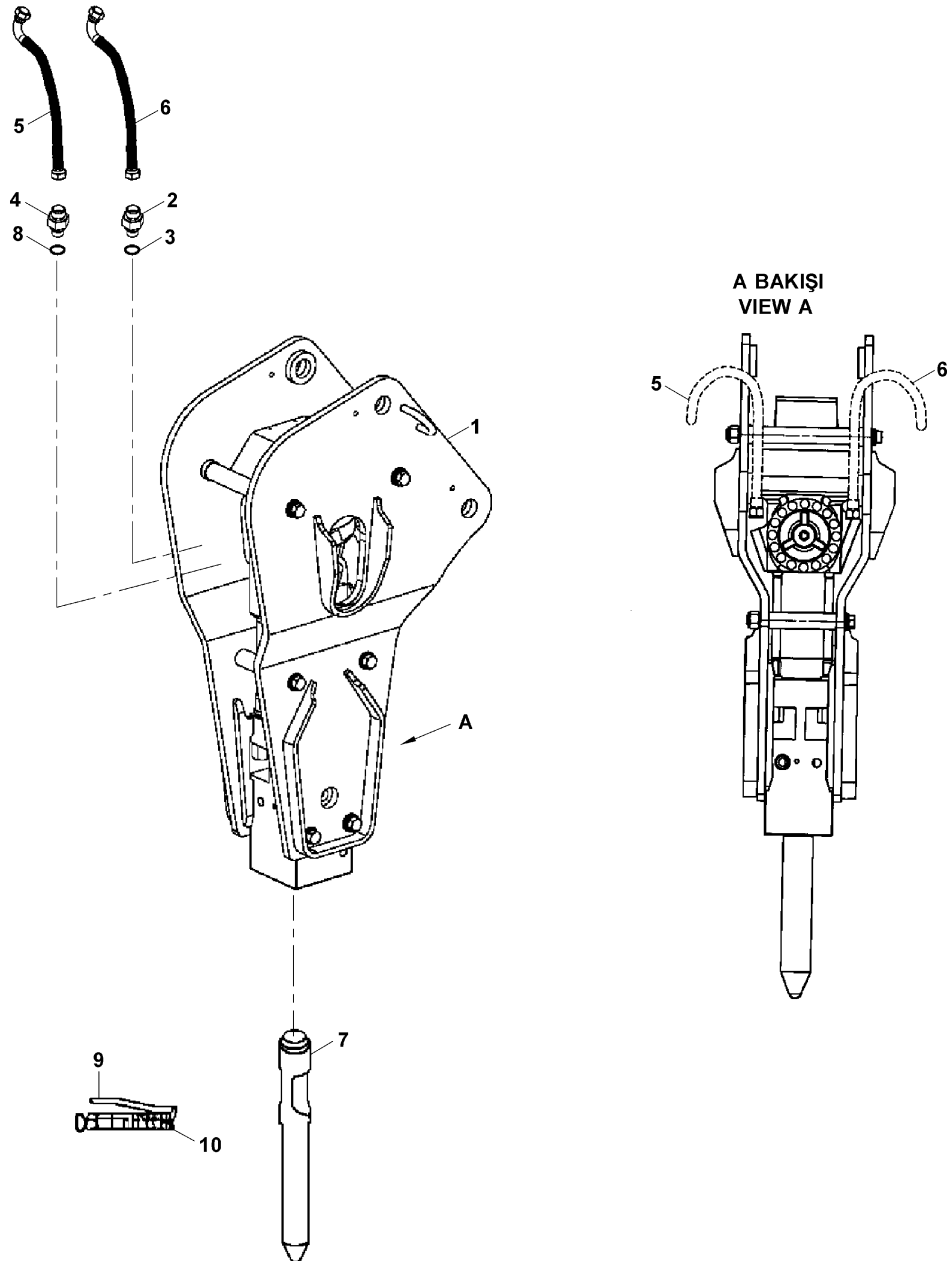
KIRICI KOMPLESİ (TOKU TNB 6M)
BREAKER ASSEMBLY (TOKU TNB 6M)



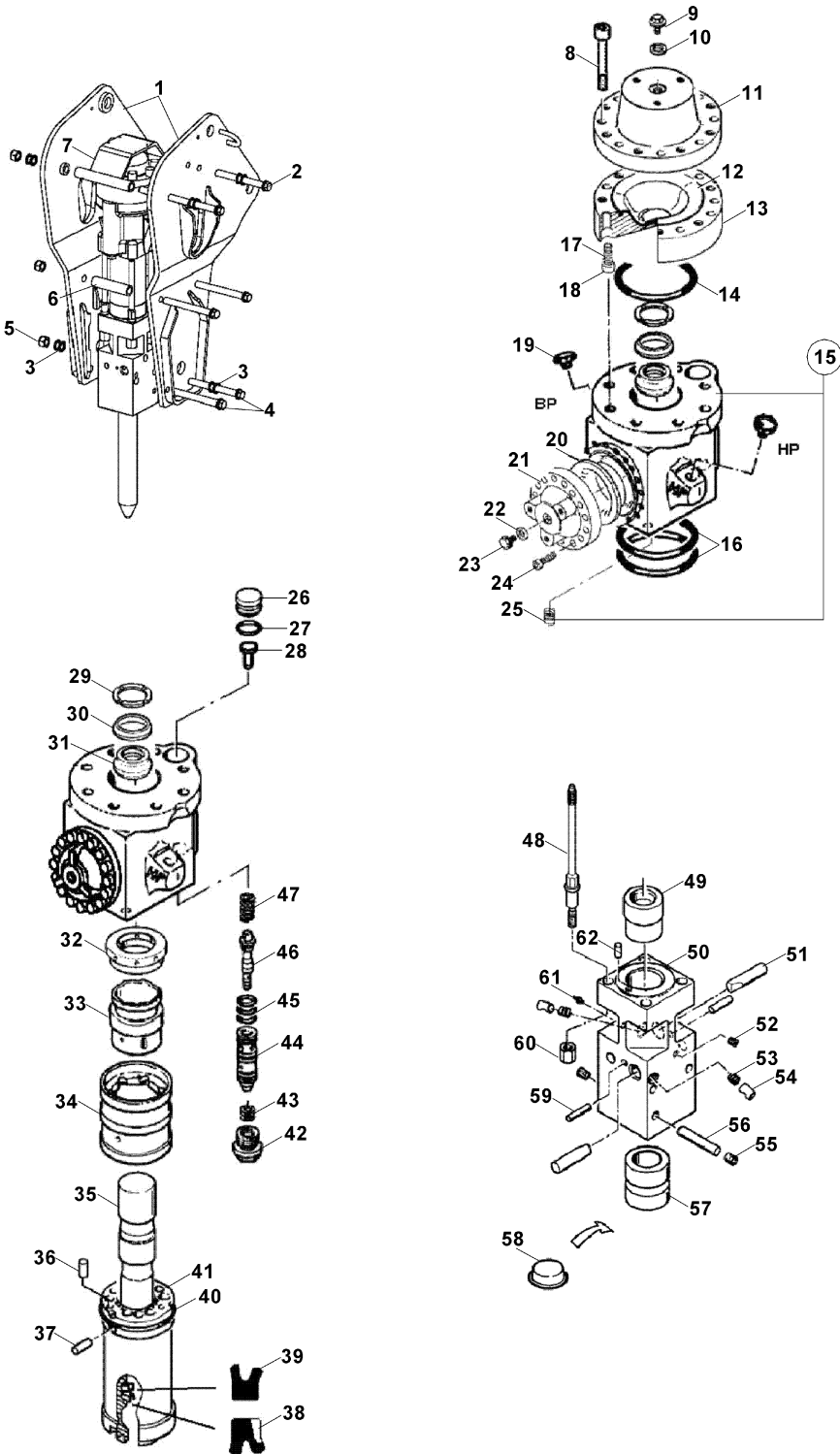
KIRICI KOMPLESİ (TOKU TNB 6M)
BREAKER ASSEMBLY (TOKU TNB 6M)



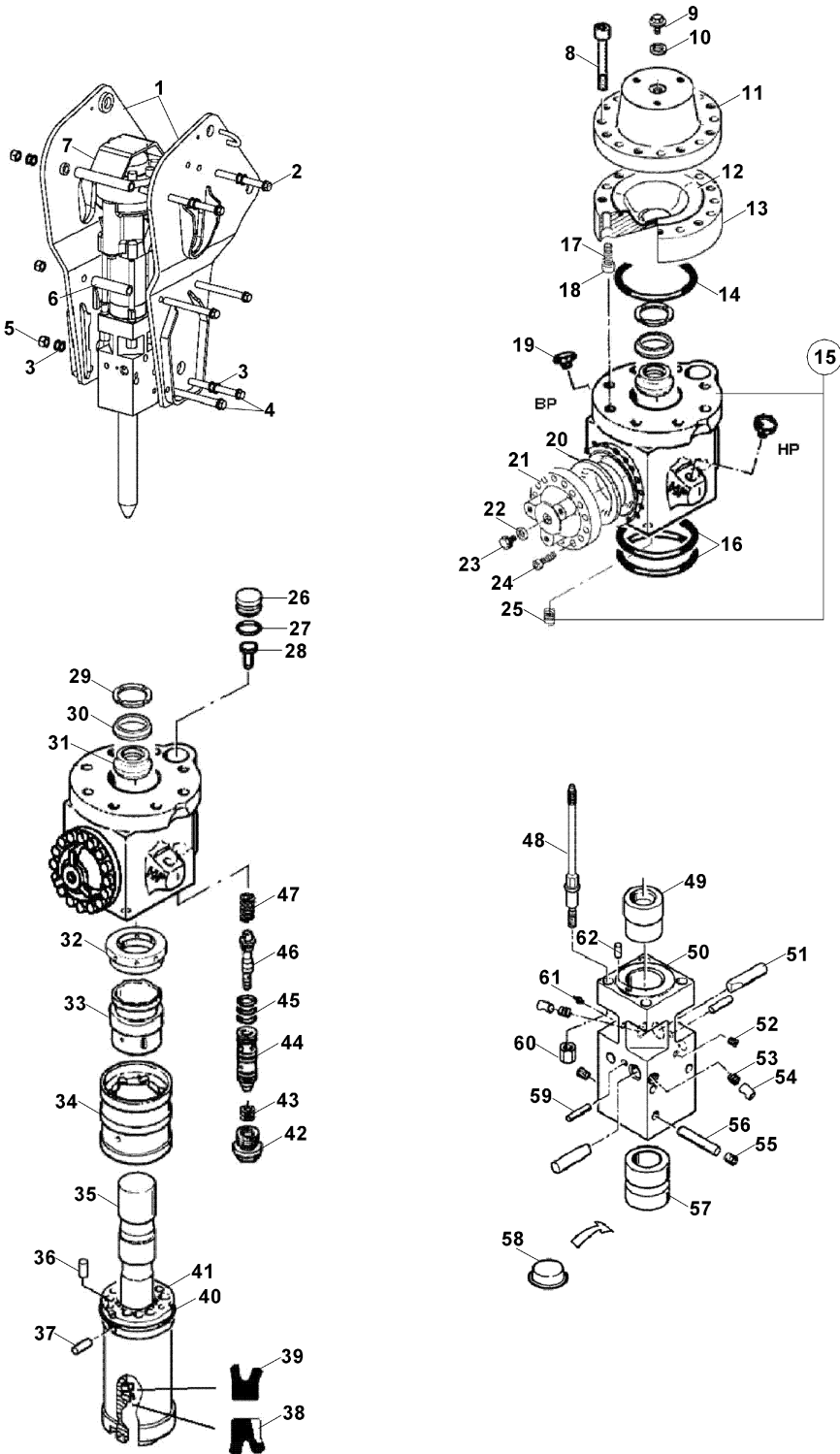
KIRICI MONTAJI (MONTABERT-140)
BREAKER MOUNTING (MONTABERT-140)



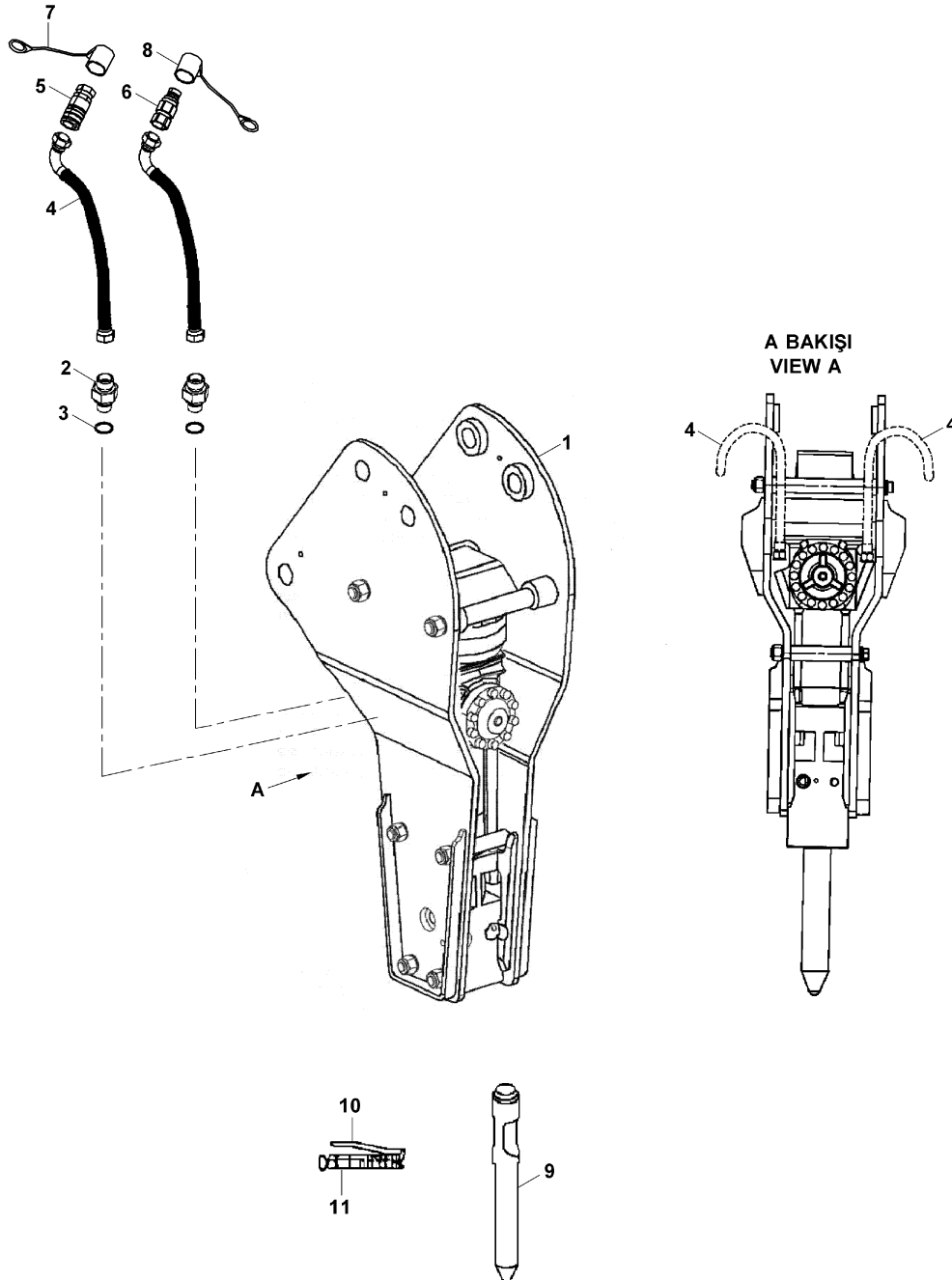
KIRICI KOMPLESİ (MONTABERT-140)
BREAKER ASSEMBLY (MONTABERT-140)



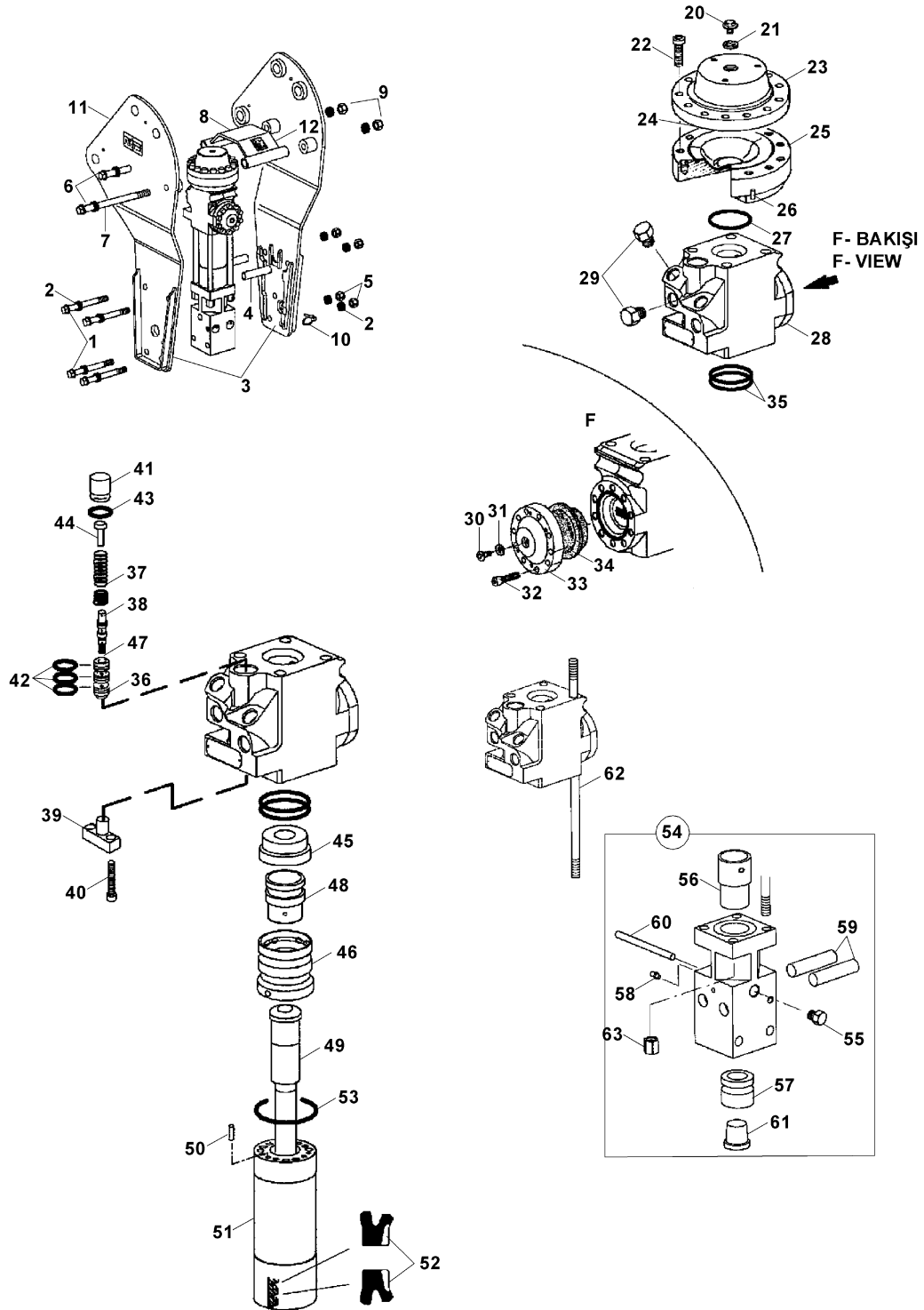
KIRICI KOMPLESİ (MONTABERT-140)
BREAKER ASSEMBLY (MONTABERT-140)



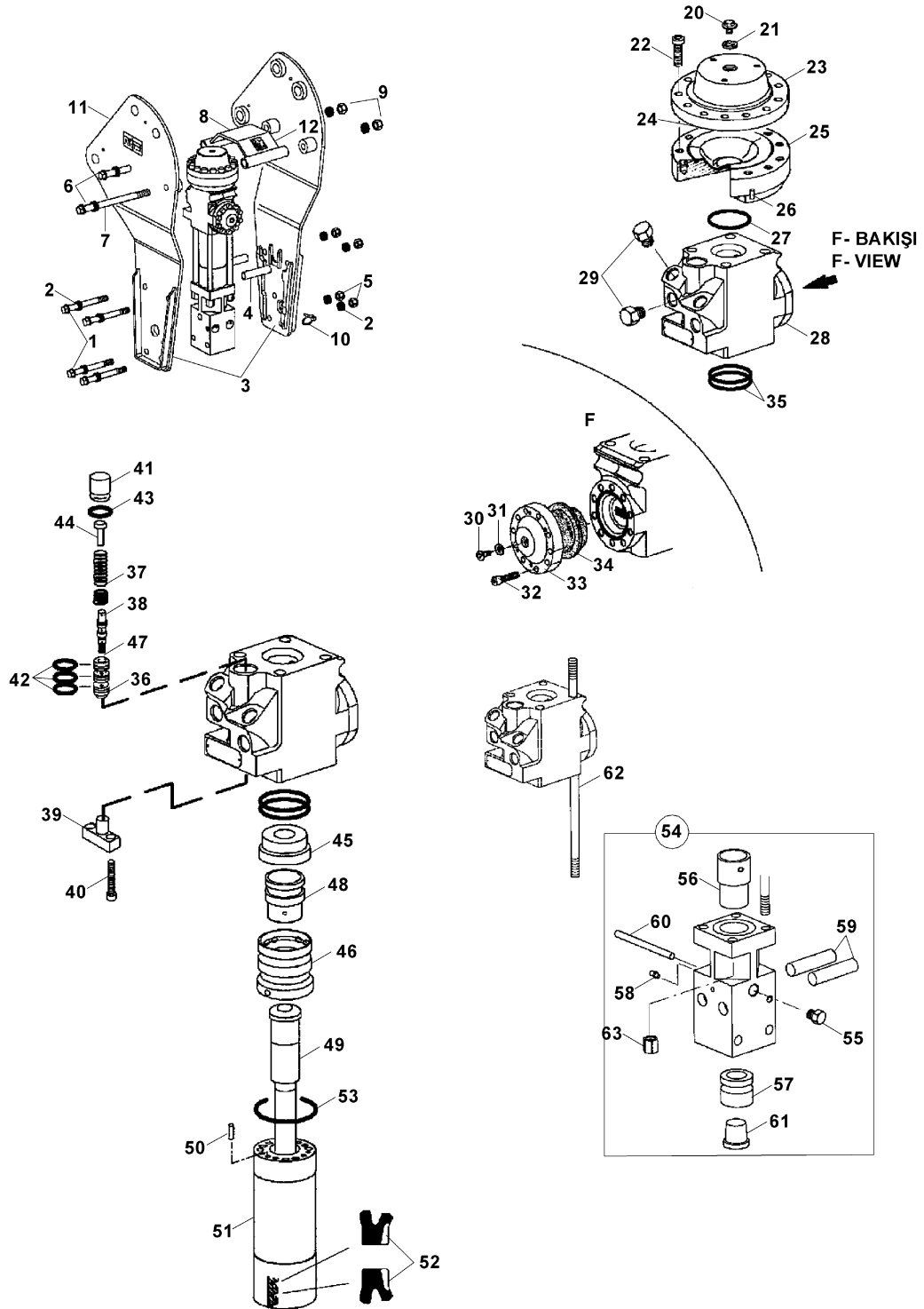
KIRICI MONTAJI (MONTABERT-95) BREAKER MOUNTING (MONTABERT-95)



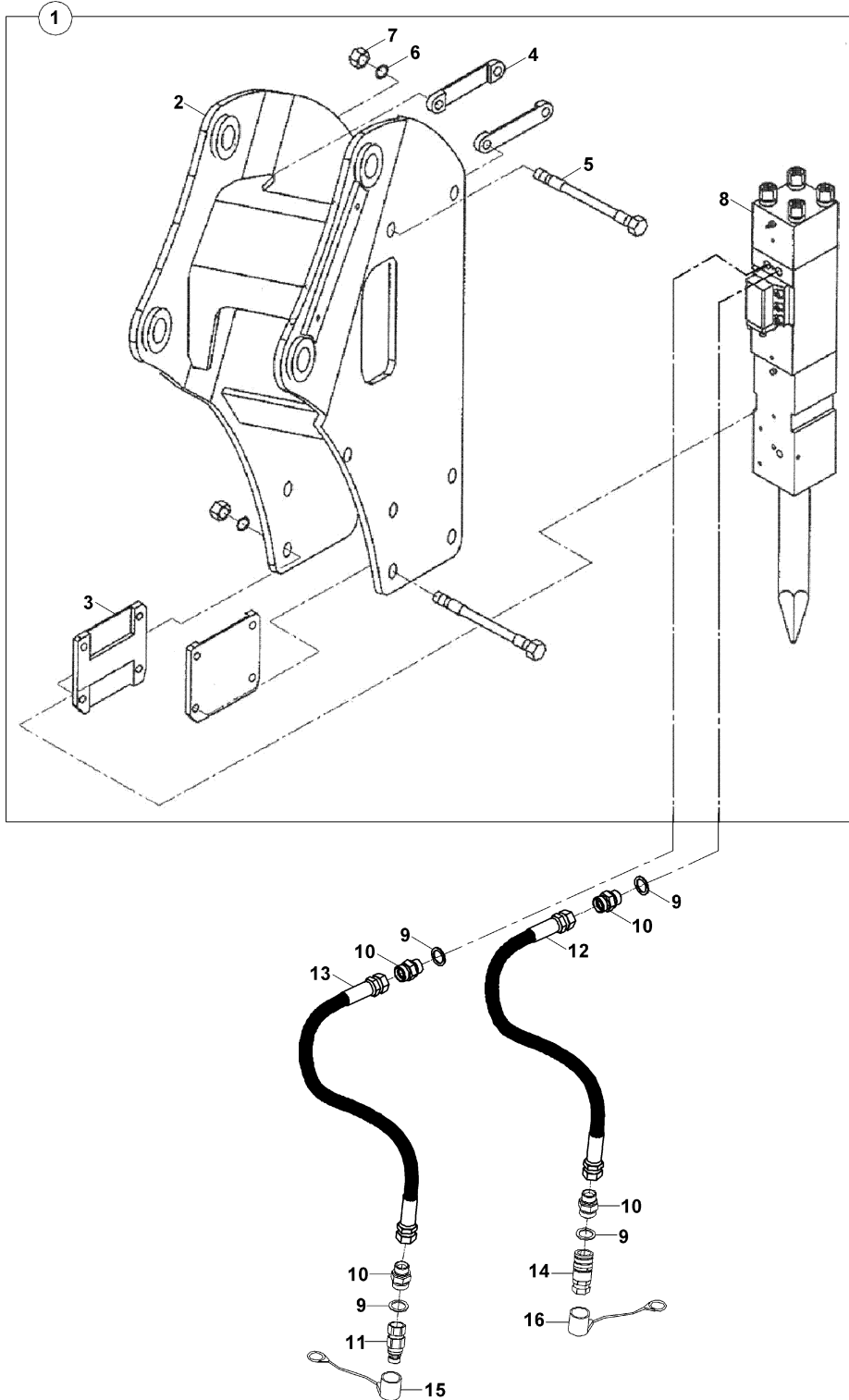
KIRICI KOMPLESİ (MONTABERT- 95)
BREAKER ASSEMBLY (MONTABERT- 95)



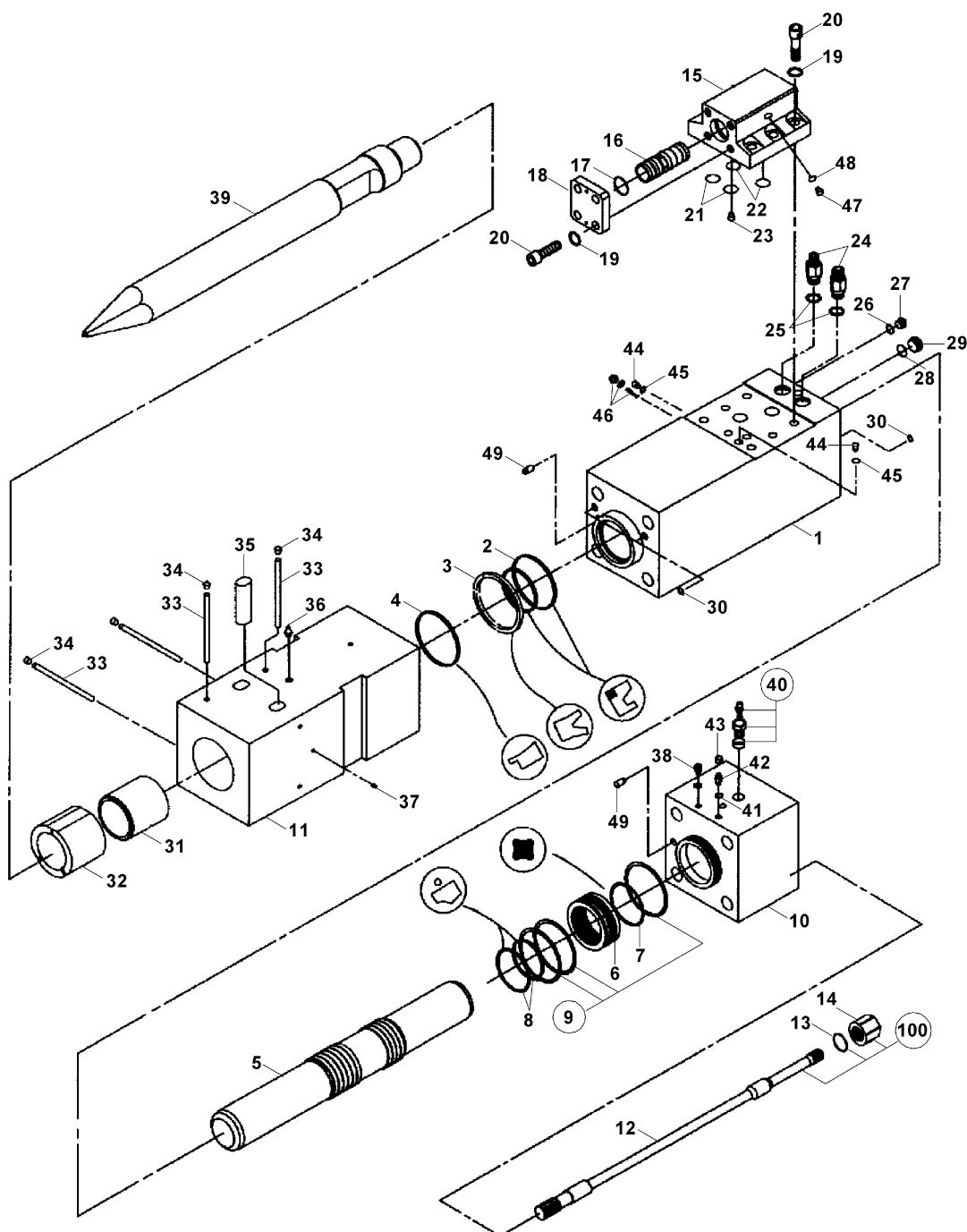
KIRICI KOMPLESİ (MONTABERT- 95)
BREAKER ASSEMBLY (MONTABERT- 95)



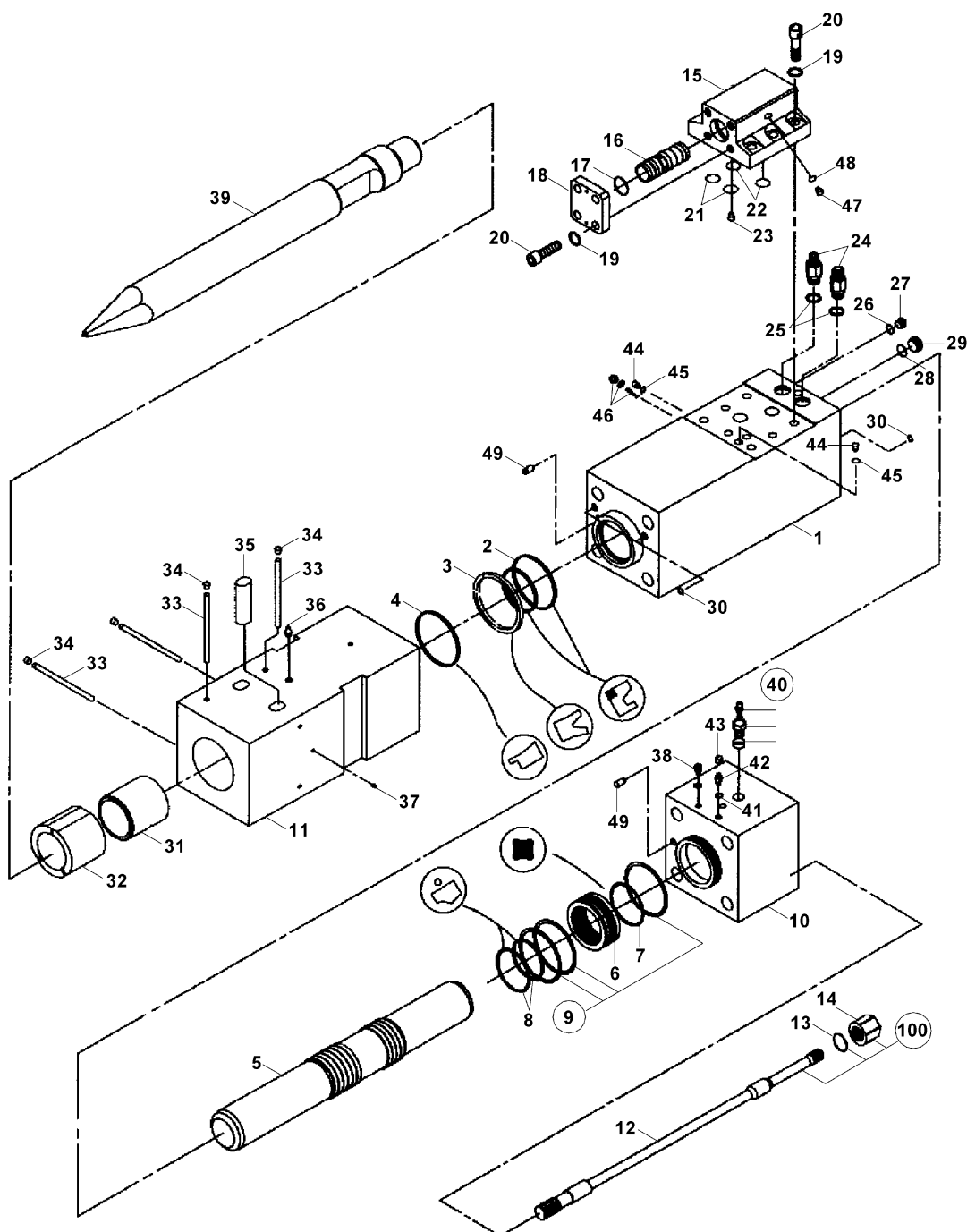
KIRICI MONTAJI (DEMO S700V) BREAKER MOUNTING (DEMO S700V)



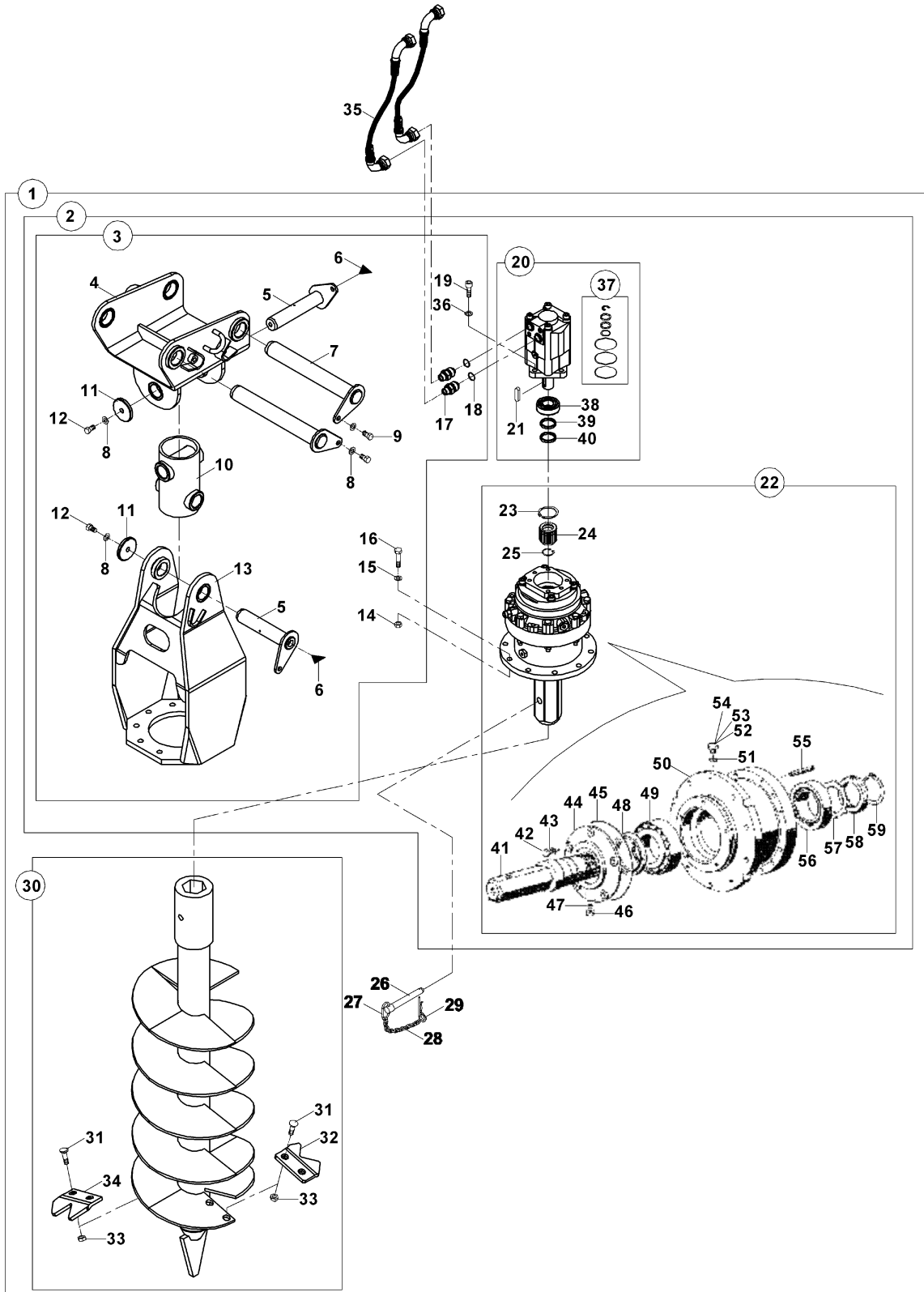
KIRICI KOMPLESİ (DEMO S700V) BREAKER ASSEMBLY (DEMO S700V)



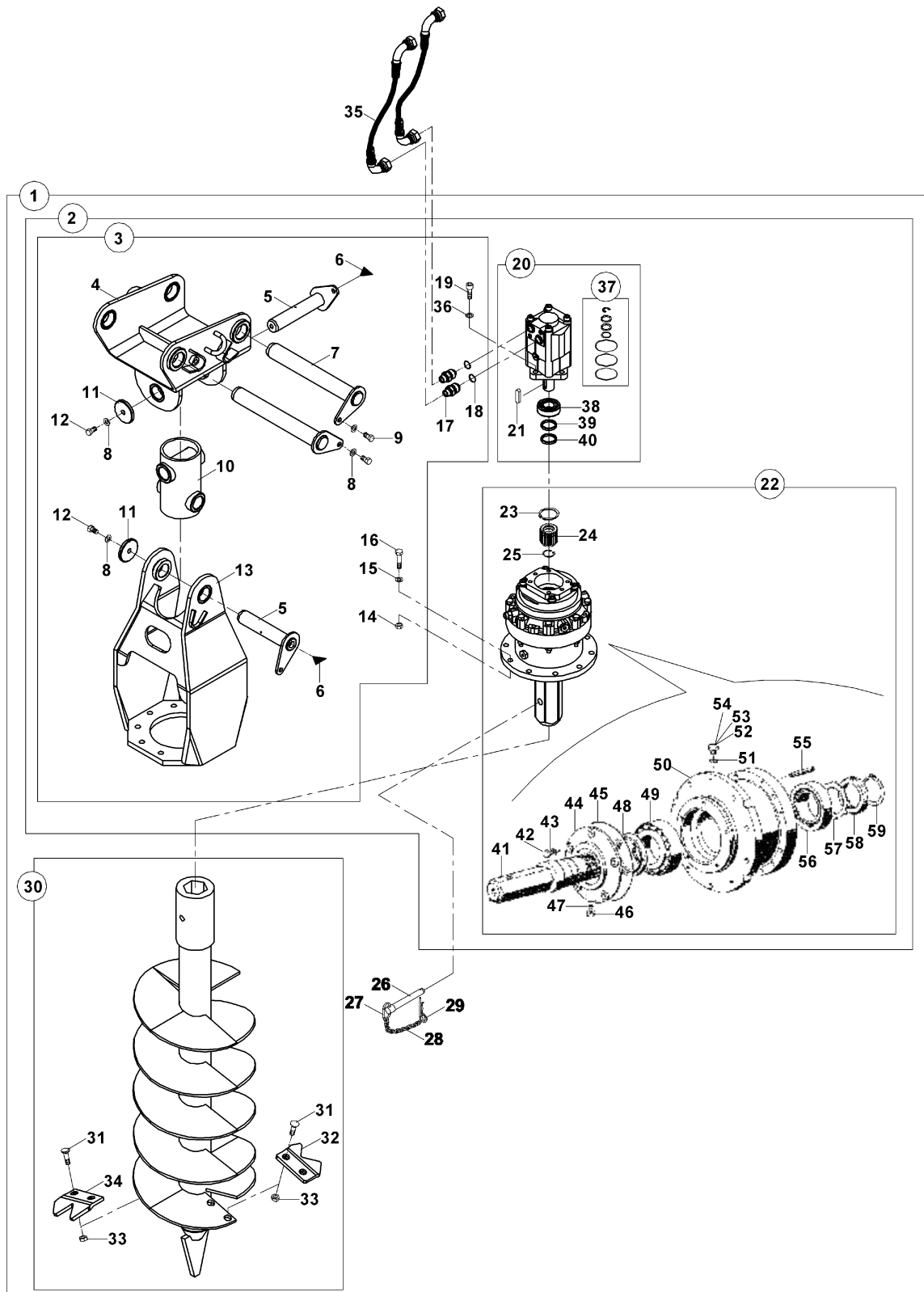
KIRICI KOMPLESİ (DEMO S700V) BREAKER ASSEMBLY (DEMO S700V)



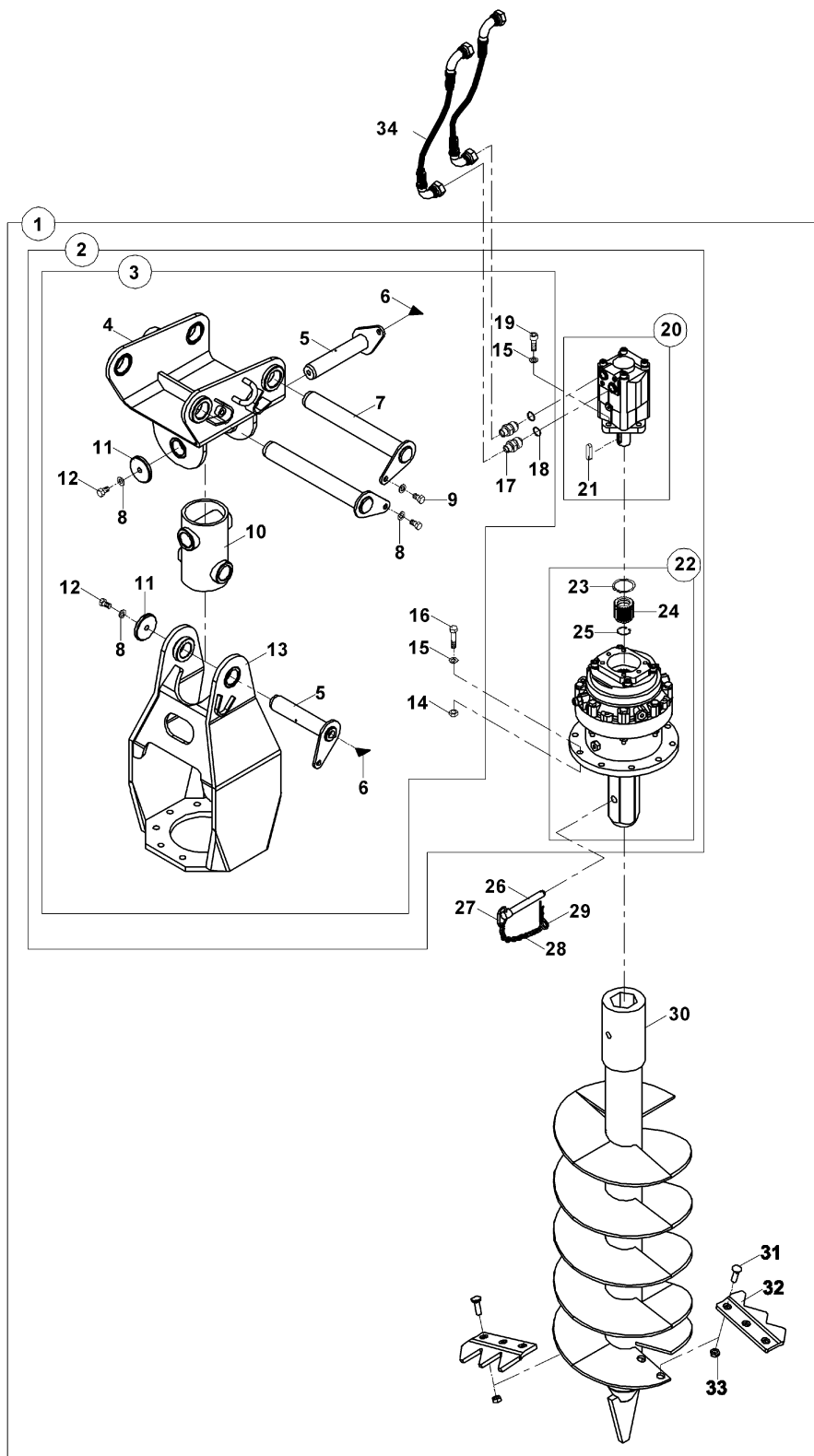
BURGU (Ø350x1000)
AUGER (Ø350x1000)



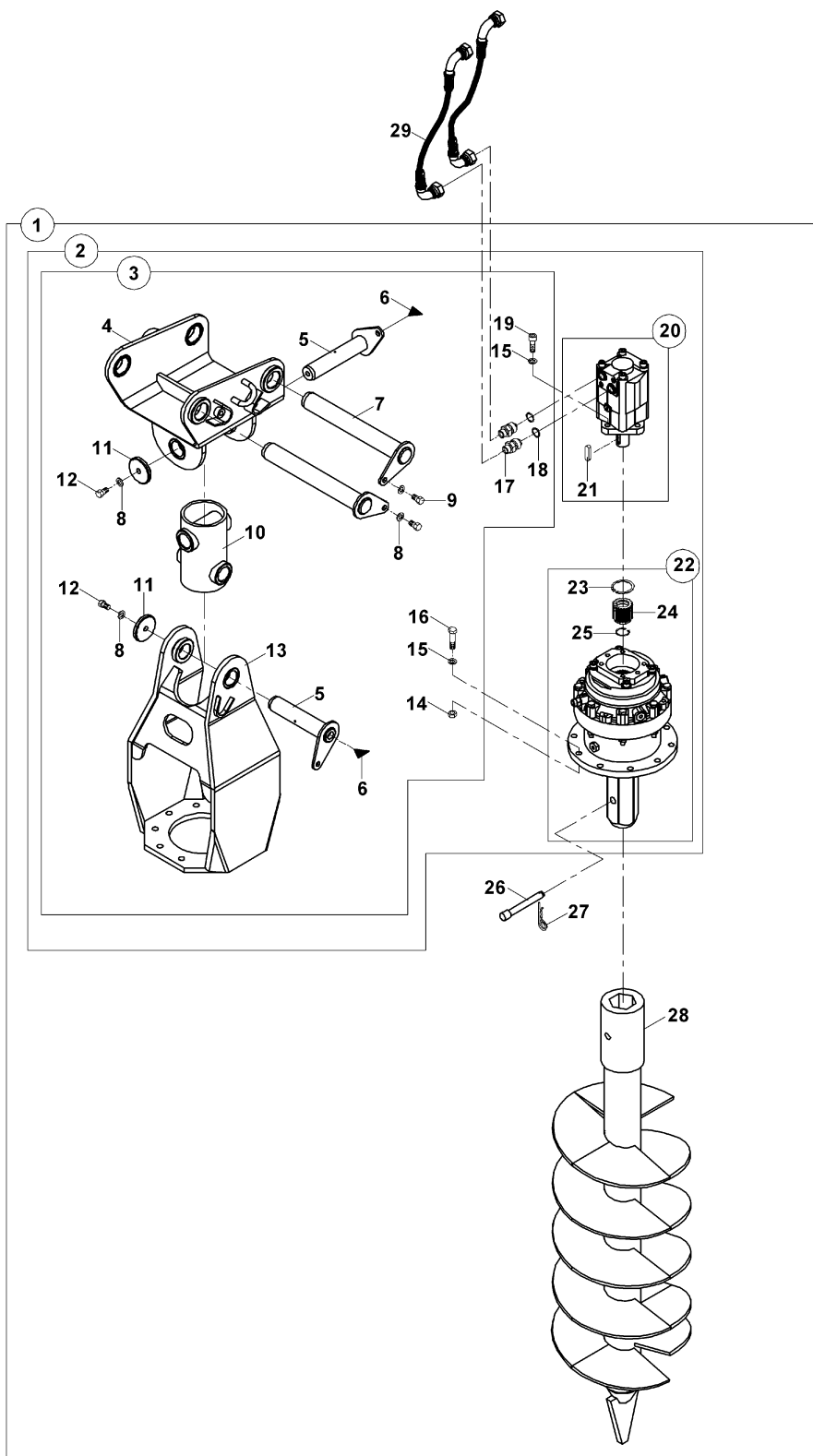
BURGU (Ø350x1000) AUGER (Ø350x1000)



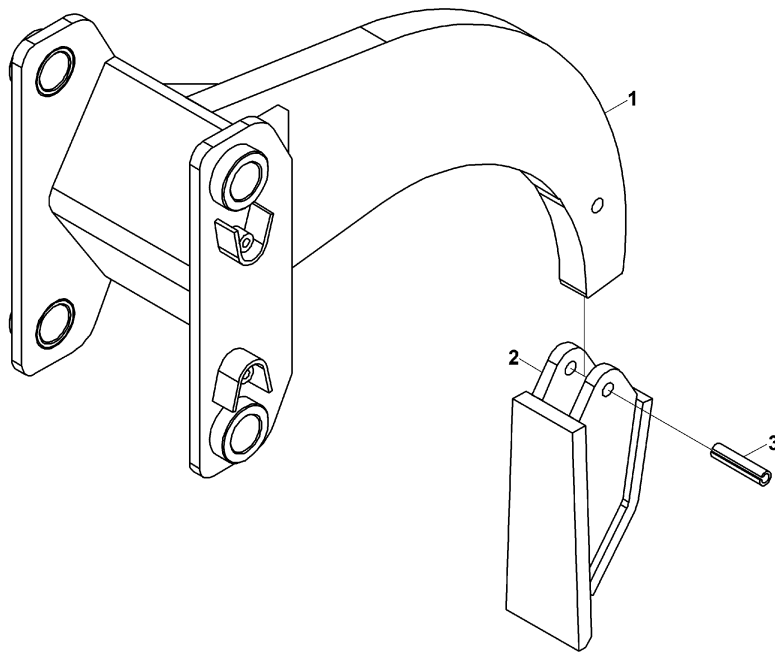
BURGU (Ø500x1300)
AUGER (Ø500x1300)



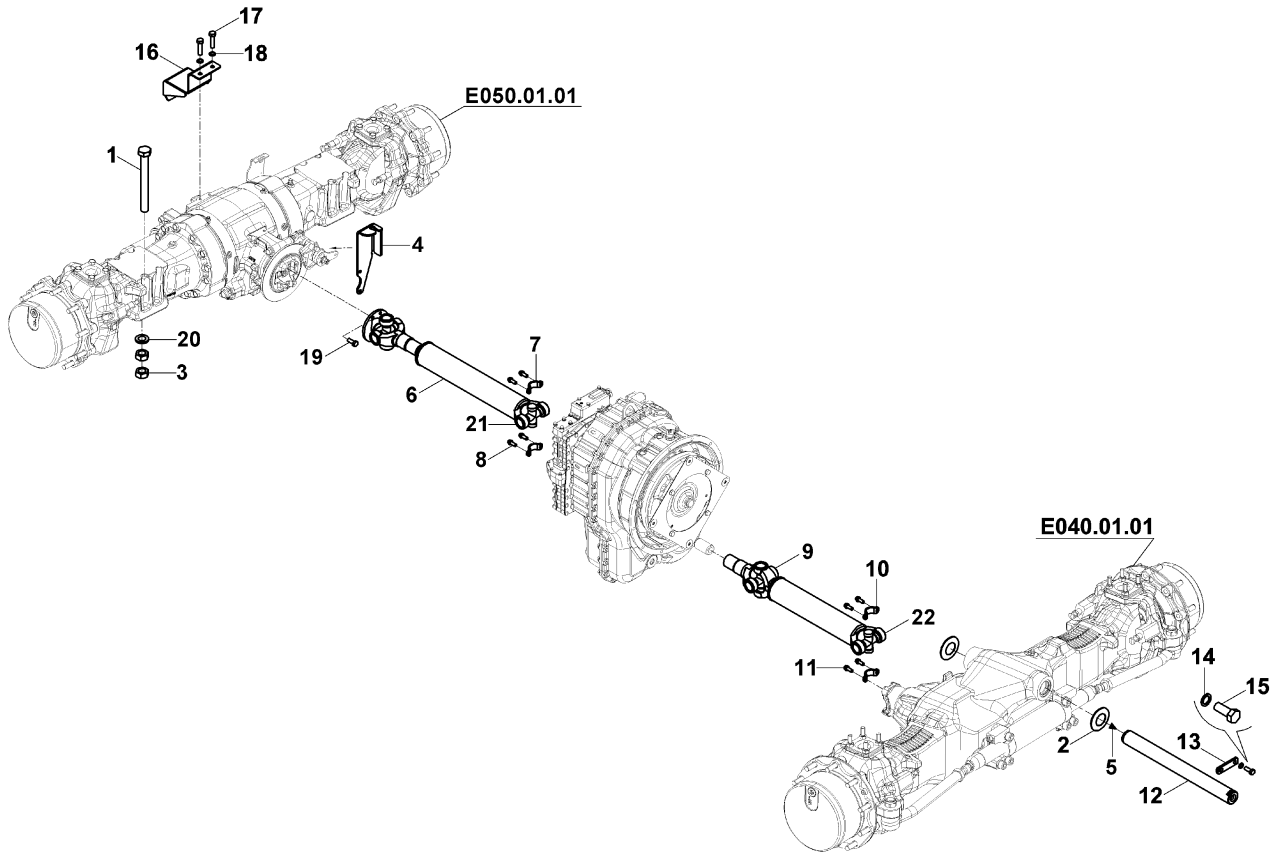
BURGU (Ø610x1600)
AUGER (Ø610x1600)



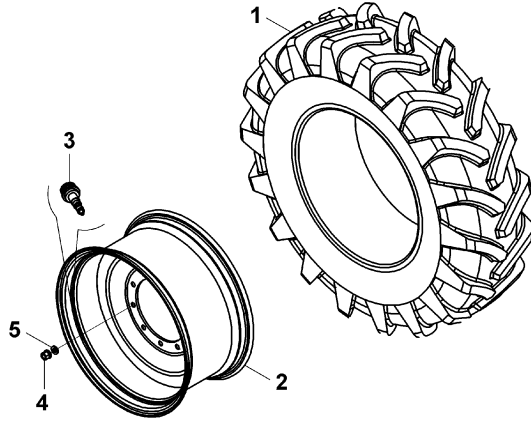
RIPER
RIPPER



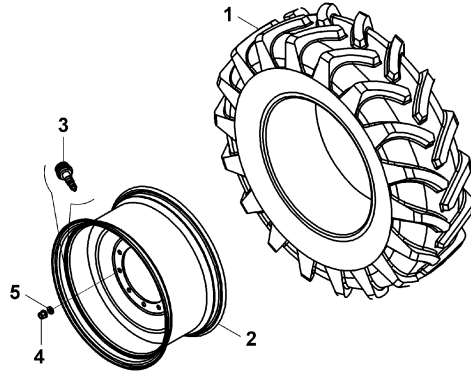
GÜÇ AKTARMA MONTAJI POWER TRAIN MOUNTING



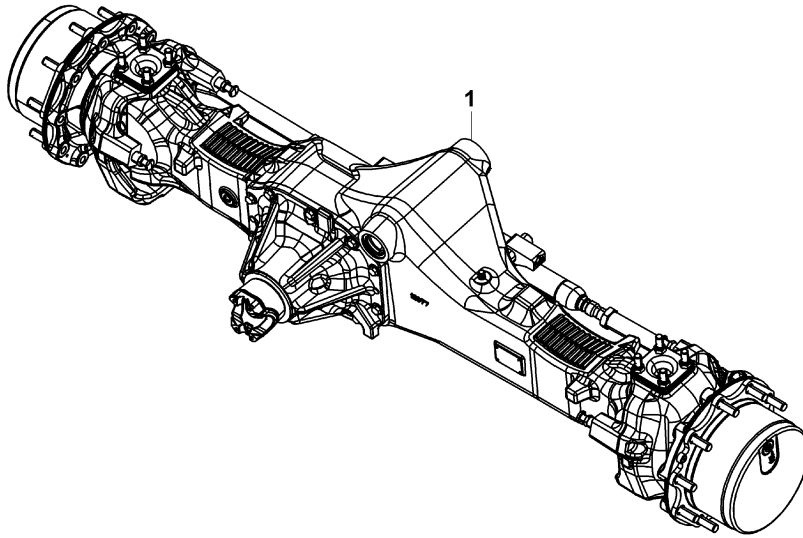
TEKER VE LASTİK GRUBU, ÖN
WHELL & TIRE GROUP, FRONT



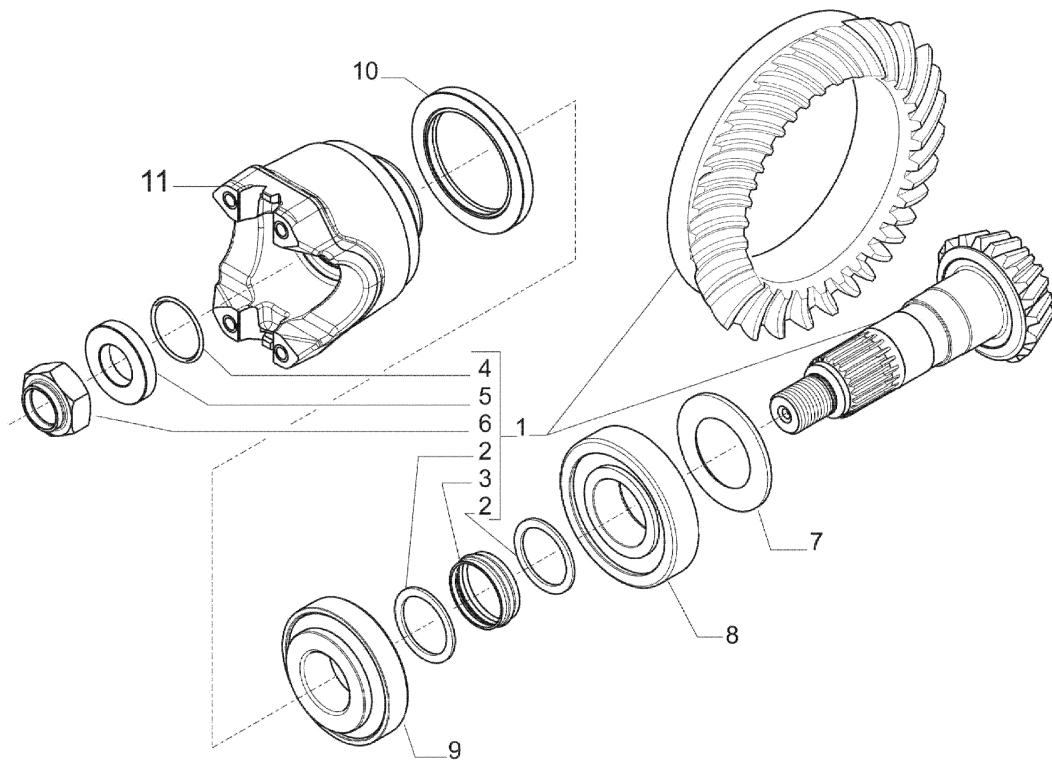
TEKER VE LASTİK GRUBU, ARKA
WHELL & TIRE GROUP, REAR



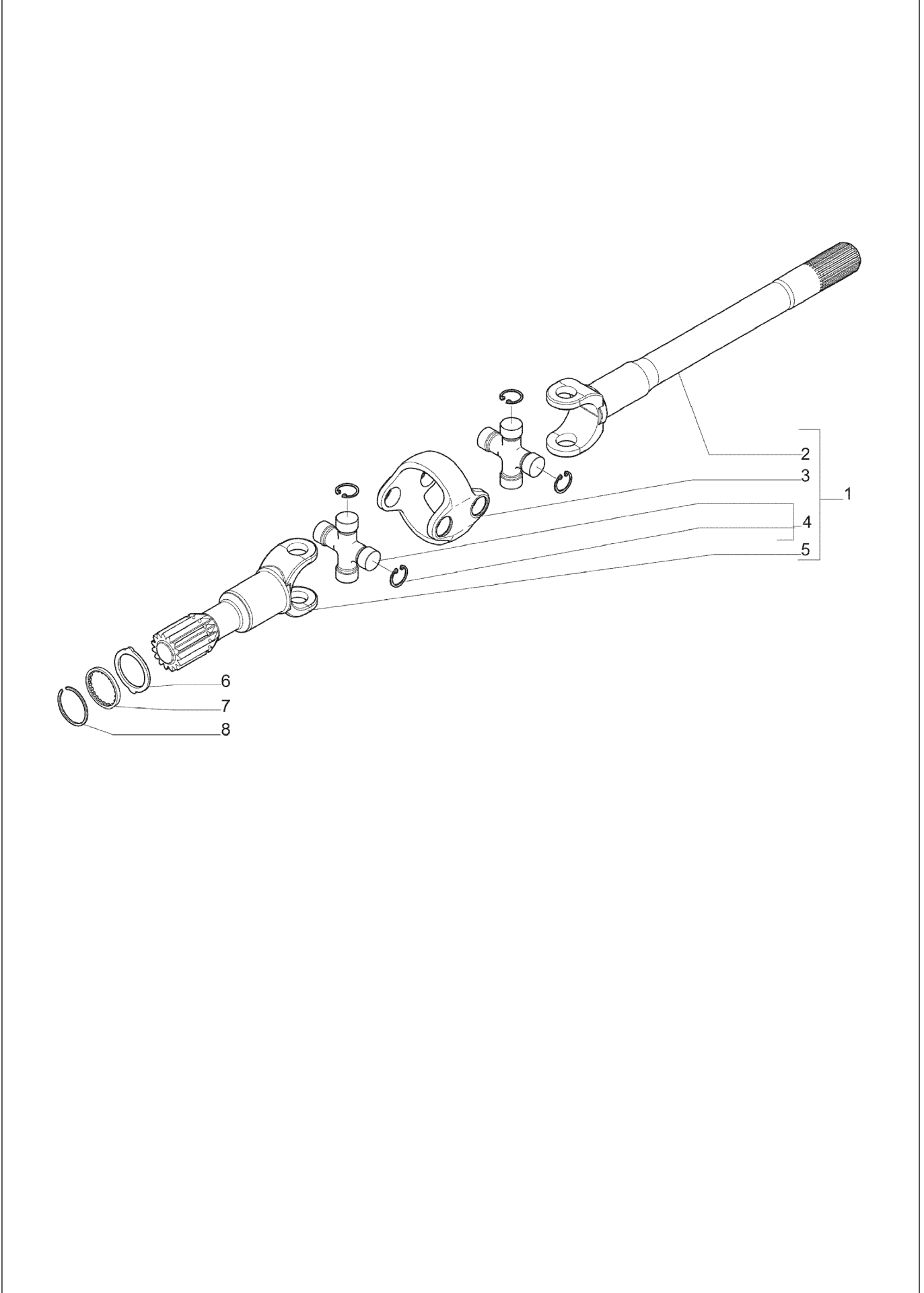
ÖN AKS
FRONT AXLE



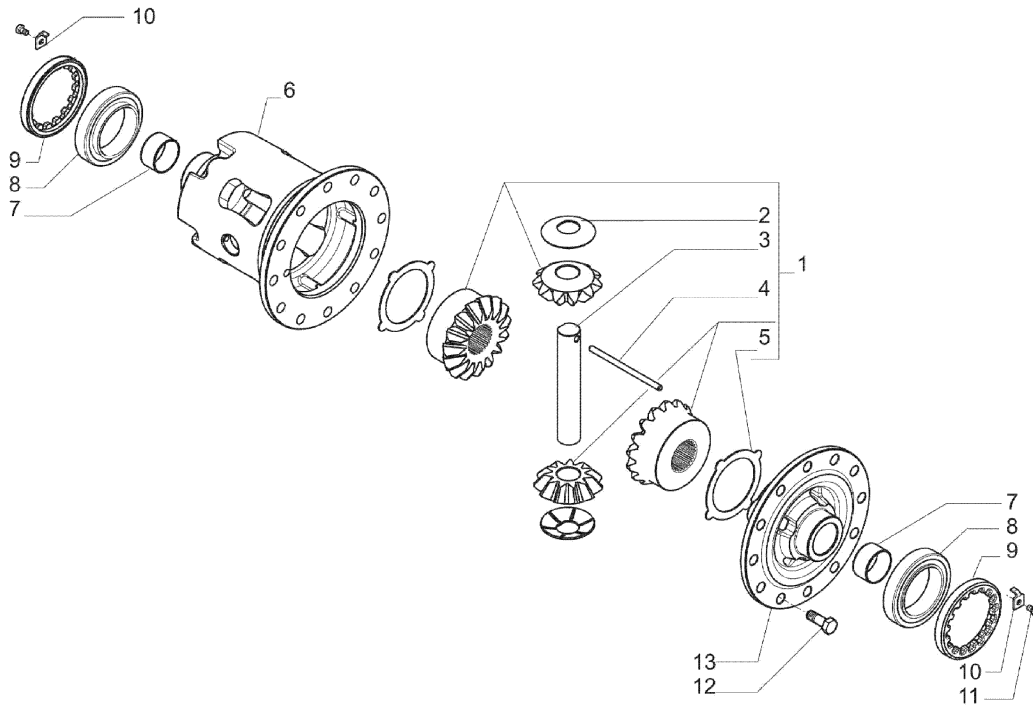
ÖN AKS, AYNA MAHRUTİ
FRONT AXLE, BEVEL GEAR SET



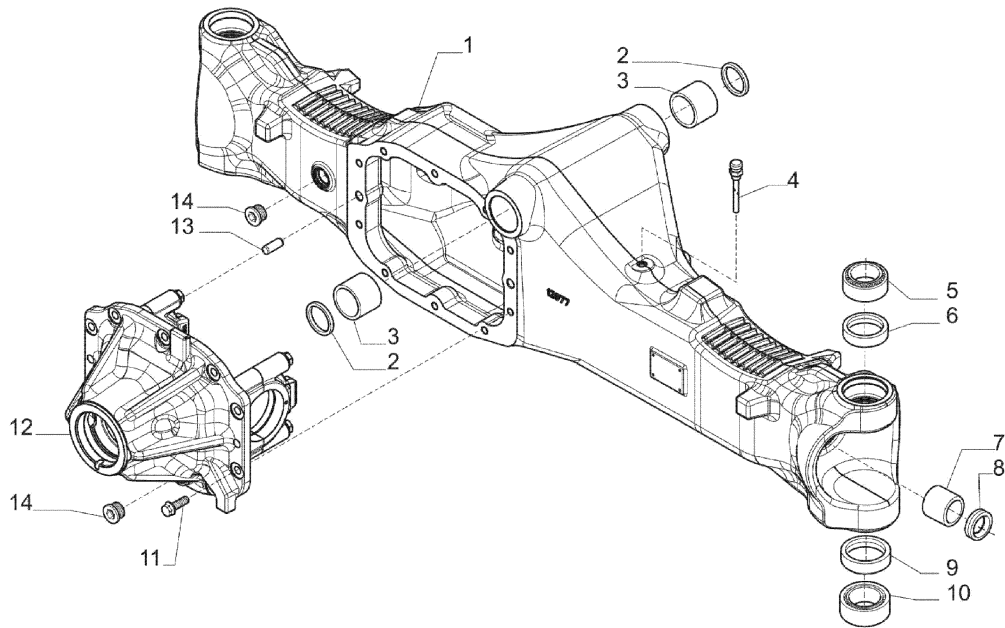
ÖN AKS, ŞAFT BAĞLANTISI
FRONT AXLE, INPUT FLANGE



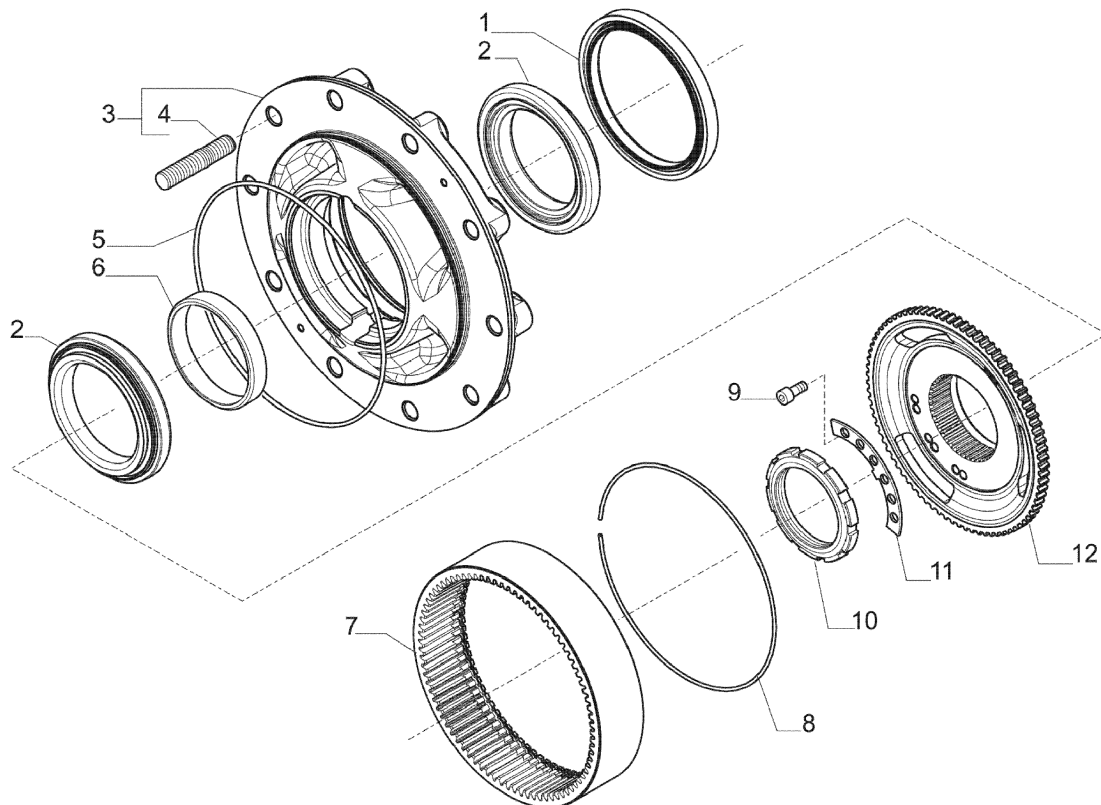
ÖN AKS, DİFERANSİYEL FRONT AXLE, DIFFERENTIAL



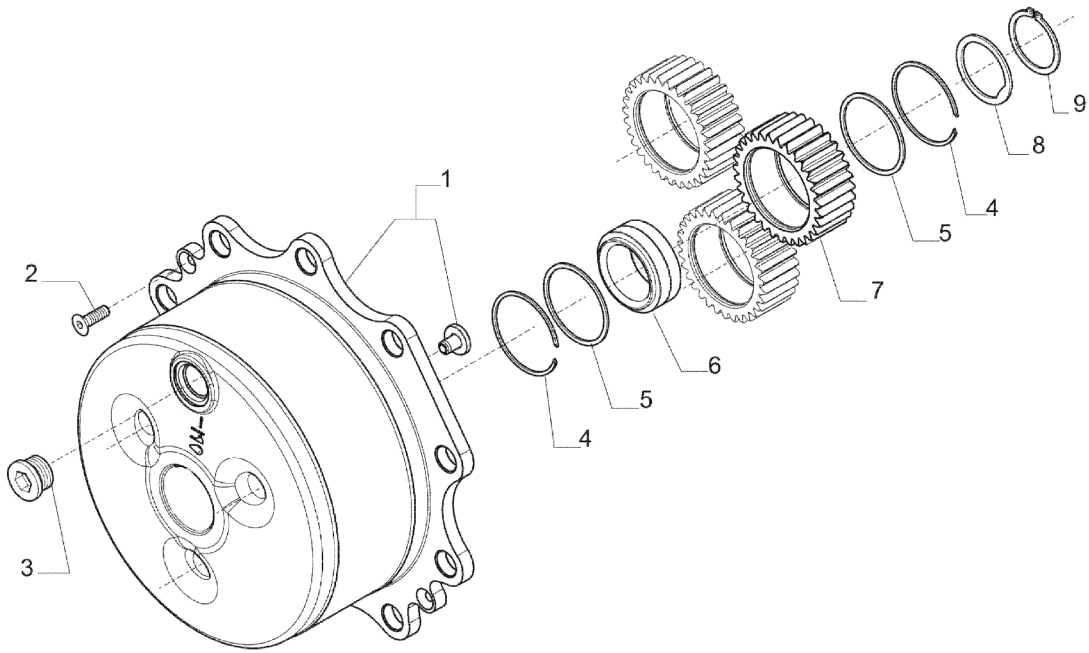
ÖN AKS, KOVAN PARÇALARI FRONT AXLE, AXLE CASING PARTS



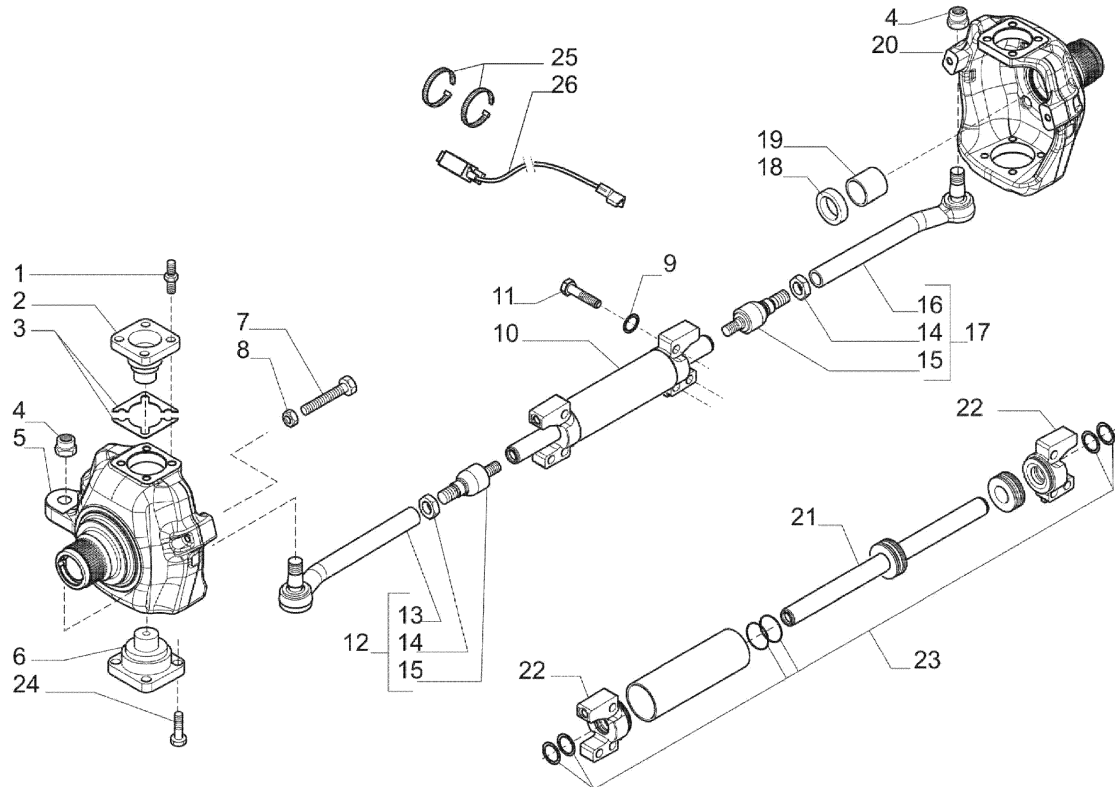
ÖN AKS, POYRA FRONT AXLE, HUB



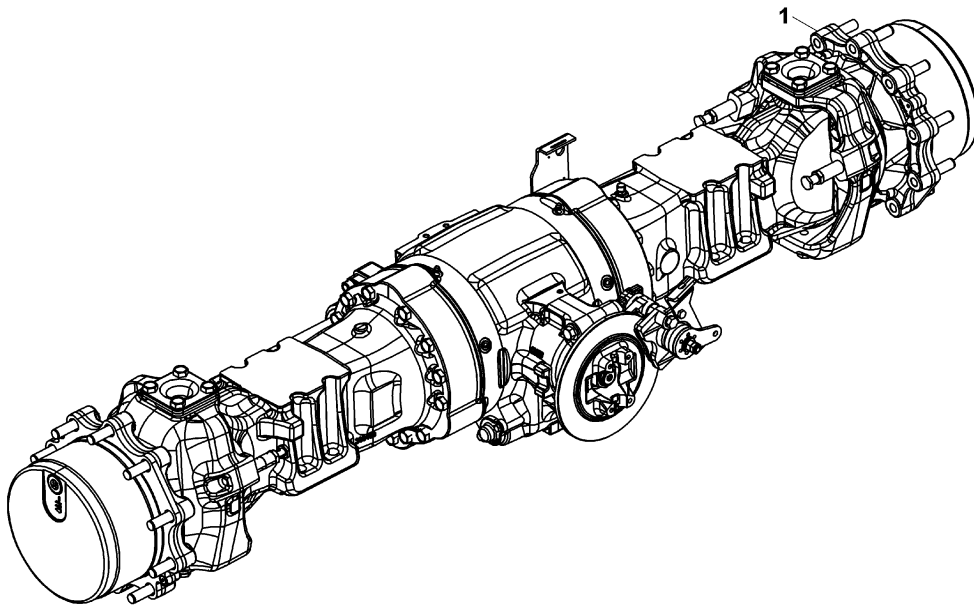
**ÖN AKS, SON REDÜKSİYON
FRONT AXLE, FINAL REDUCTION**



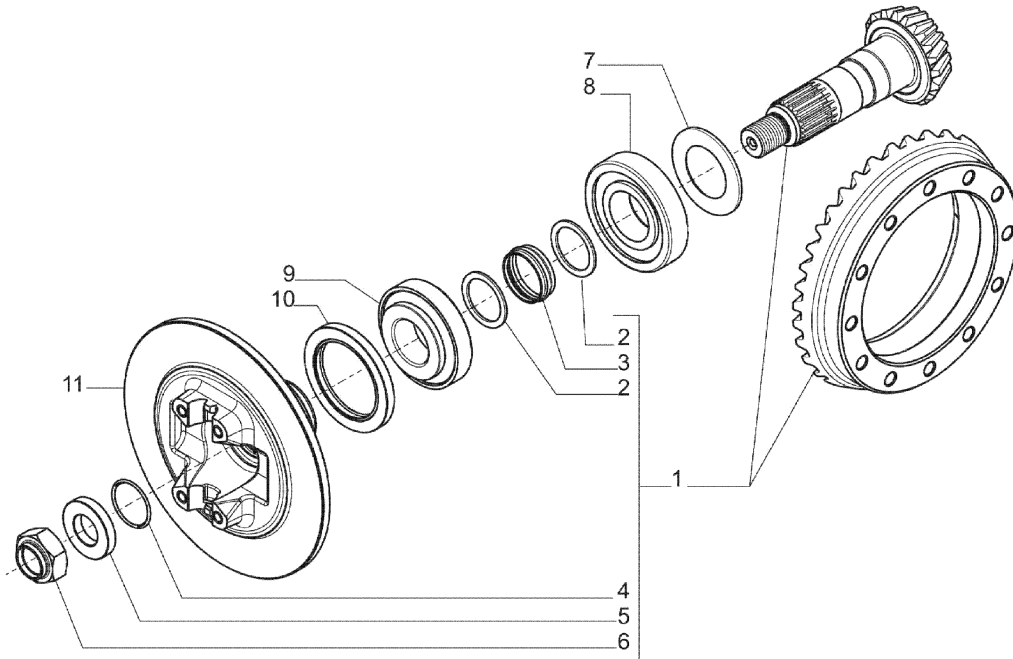
ÖN AKS, DİREKSİYON SİLİNDİRİ FRONT AXLE, STEERING CYLINDER



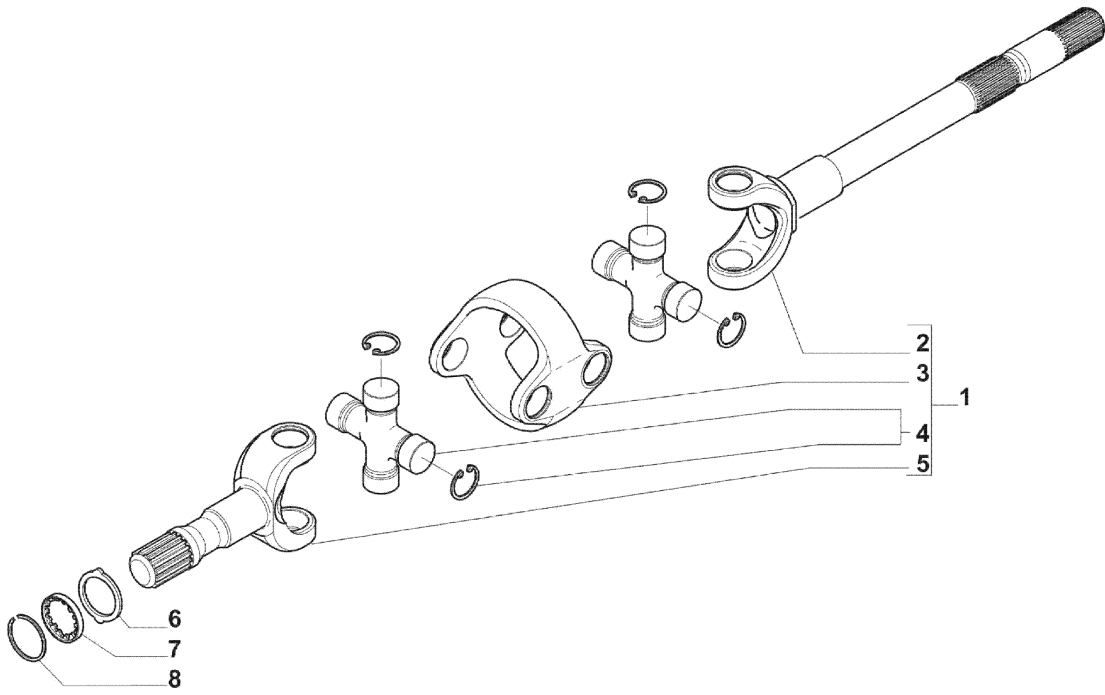
ARKA AKS
REAR AKS



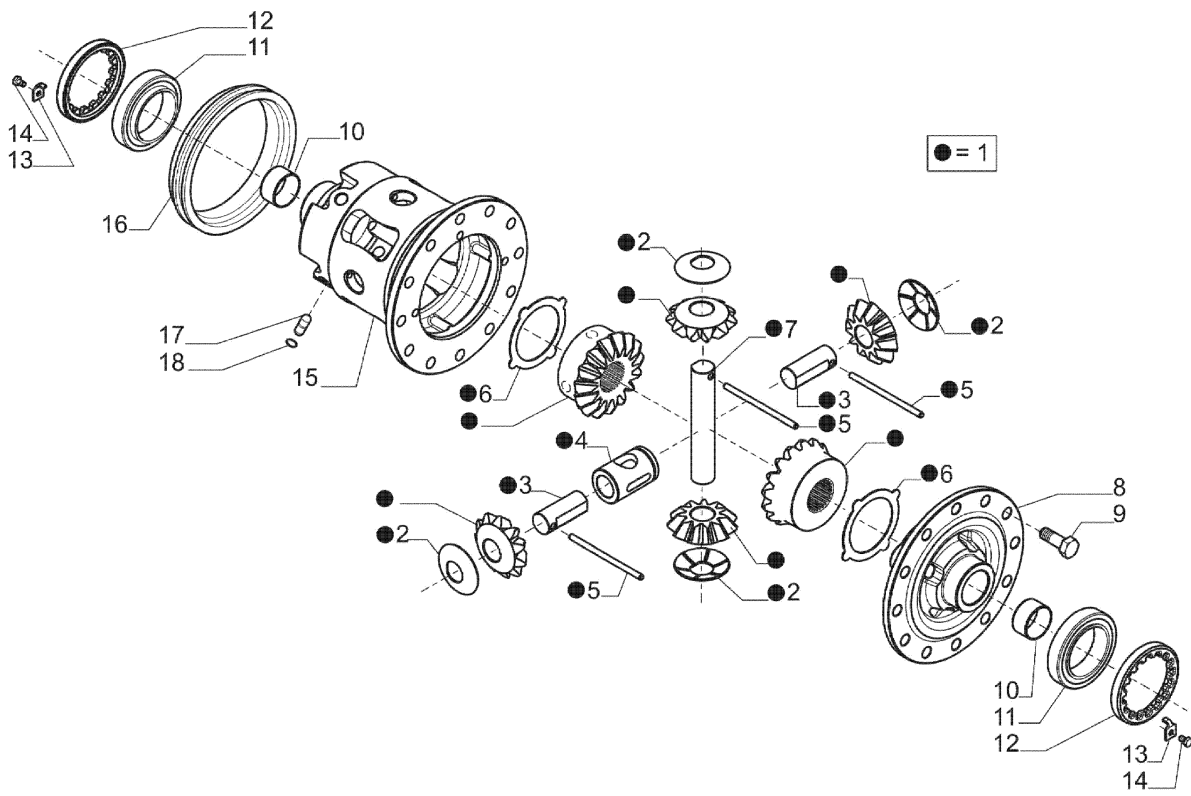
ARKA AKS, AYNA MAHRUTİ DİŞLİ SETİ
REAR AXLE, BEVEL GEAR SET



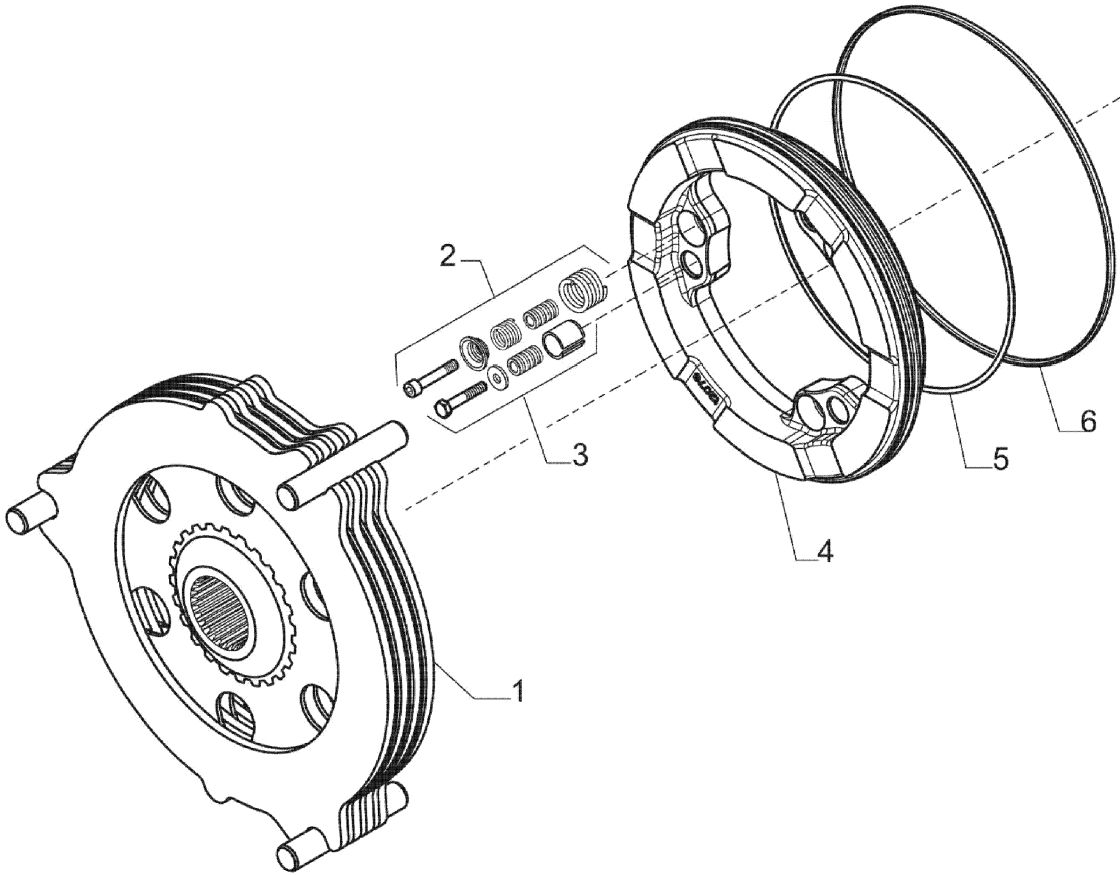
ARKA AKS, ŞAFT BAĞLANTISI
REAR AXLE, INPUT FLANGE

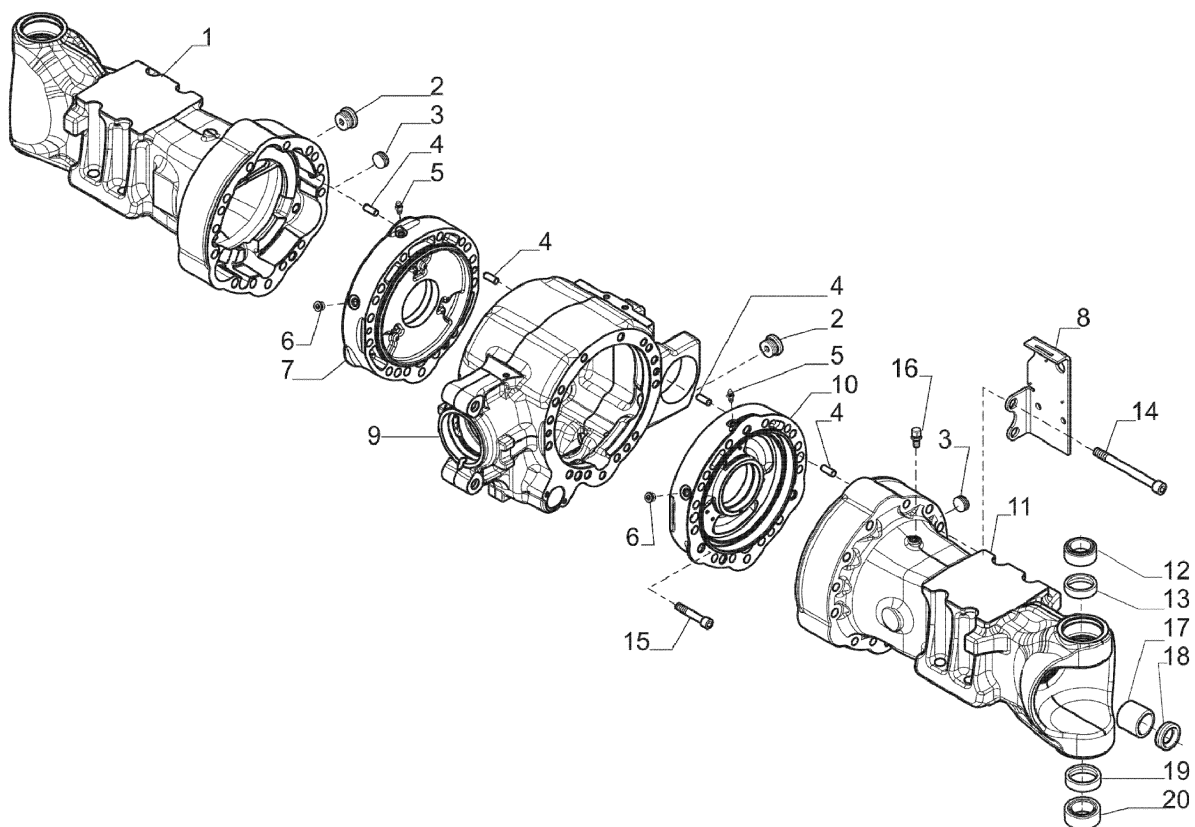


ARKA AKS, DİFERANSİYEL REAR AXLE, DIFFERENTIAL

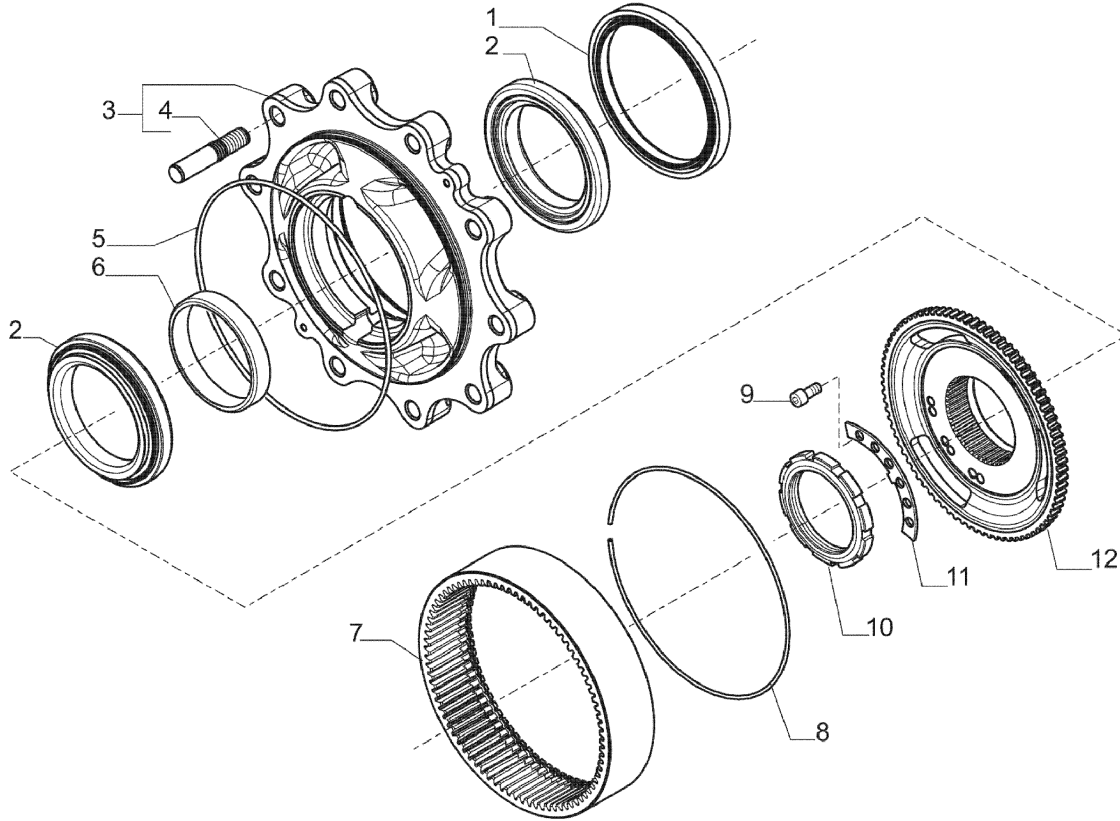


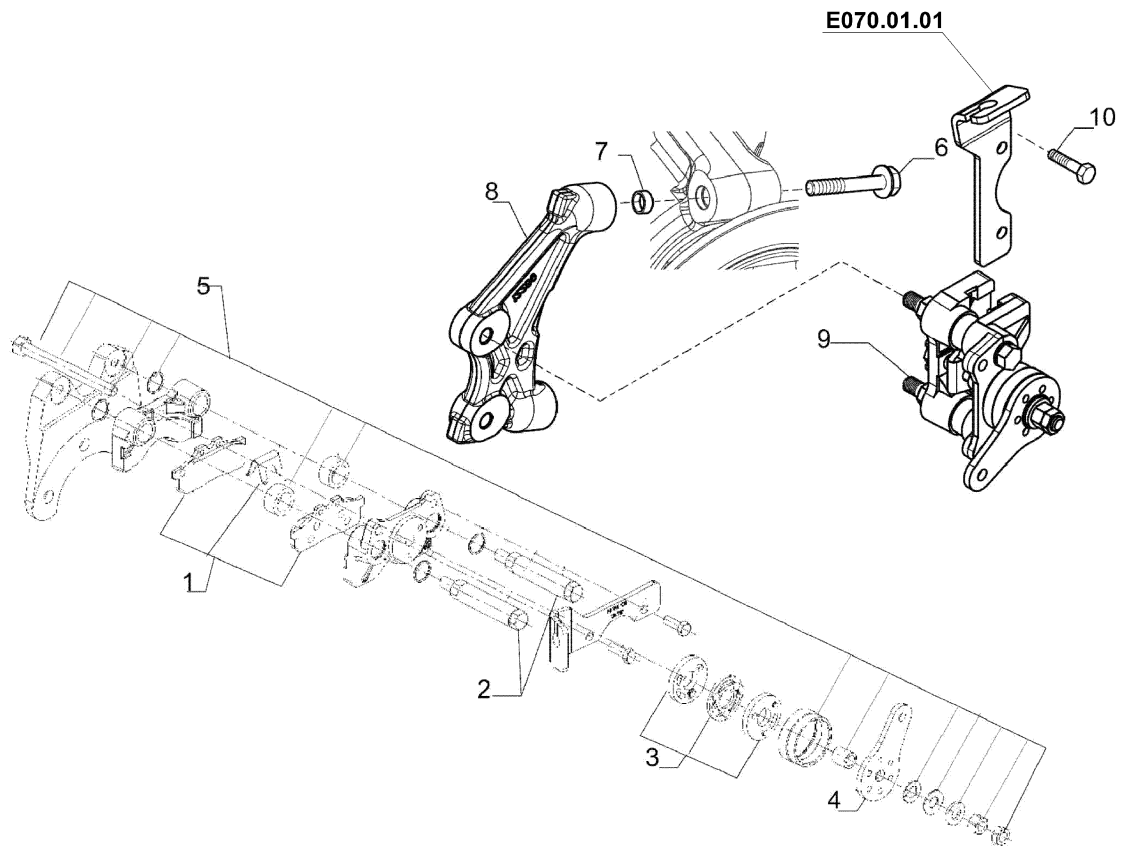
ARKA AKS, DİŞLİ ŞAFTI VE FREN
REAR AXLE, HALF-SHAFTS AND BRAKES



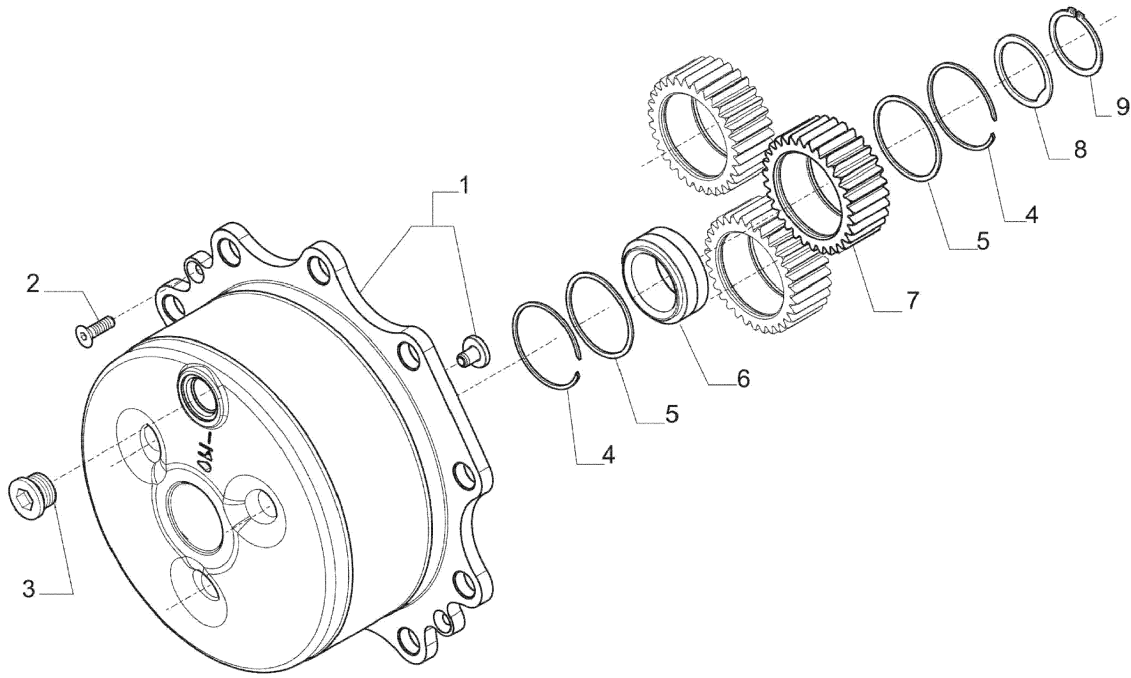
**ARKA AKS, AKS GÖVDESİ
REAR AXLE, AXLE HOUSING**

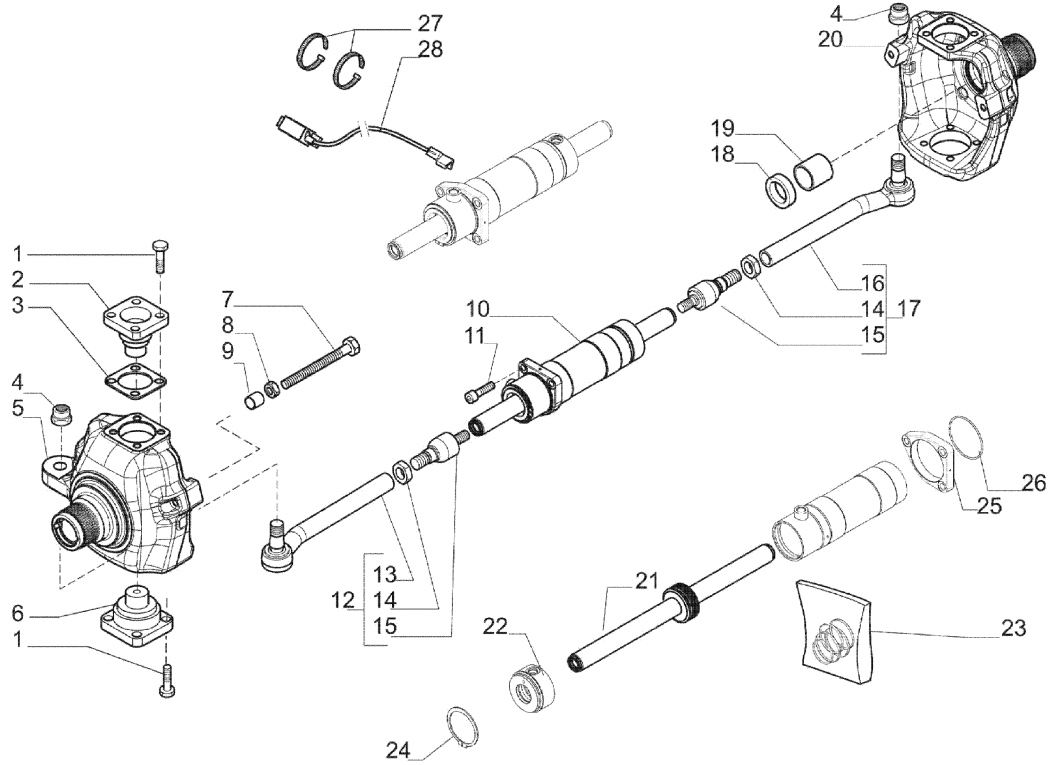
ARKA AKS, TEKERLEK GÖBEĞİ (POYRA)
REAR AXLE, WHEEL HUB



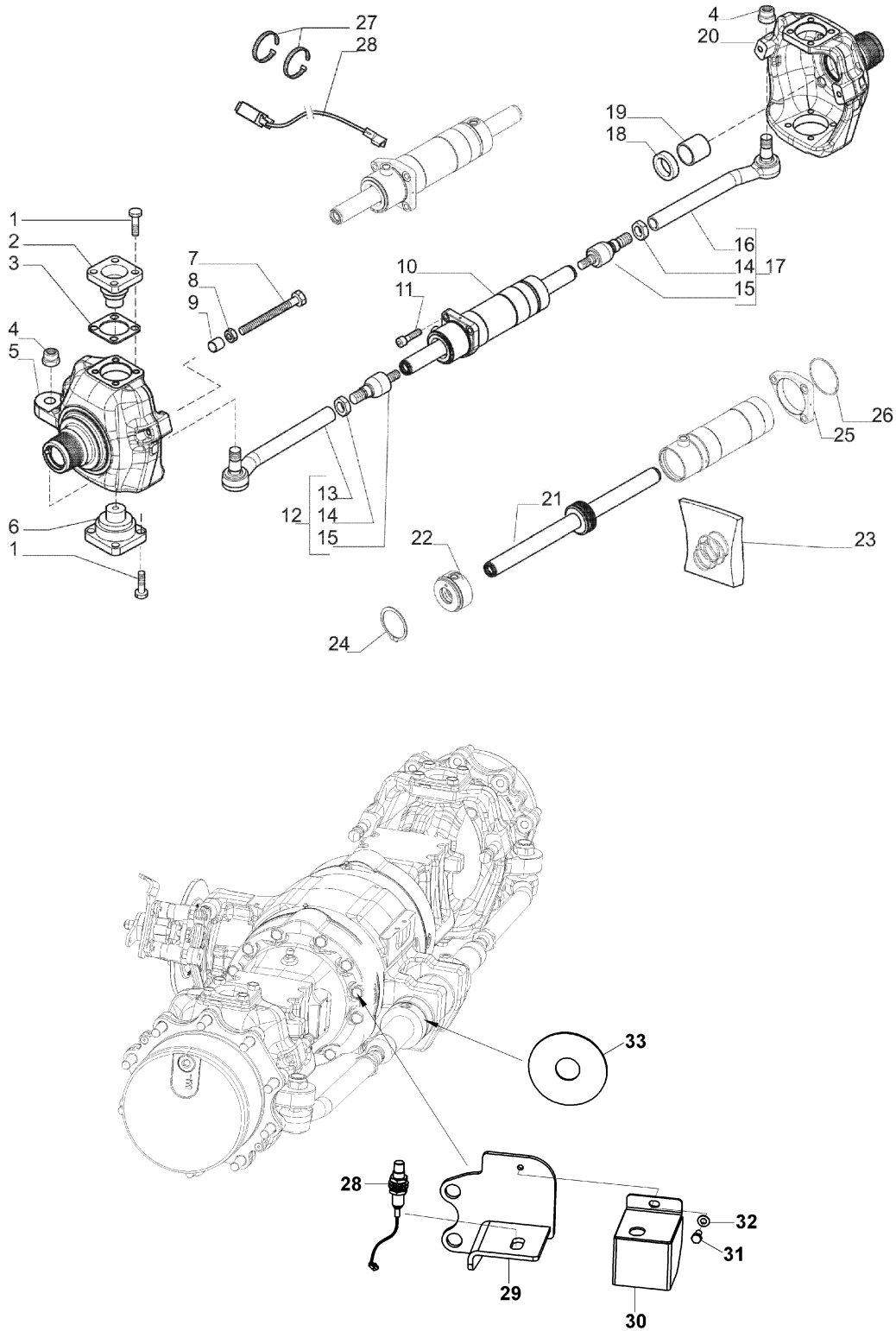
**ARKA AKS, PARK FRENI
REAR AXLE, BRAKE CALIPER**

ARKA AKS, SON REDÜKSİYON
REAR AXLE, FINAL REDUCTION

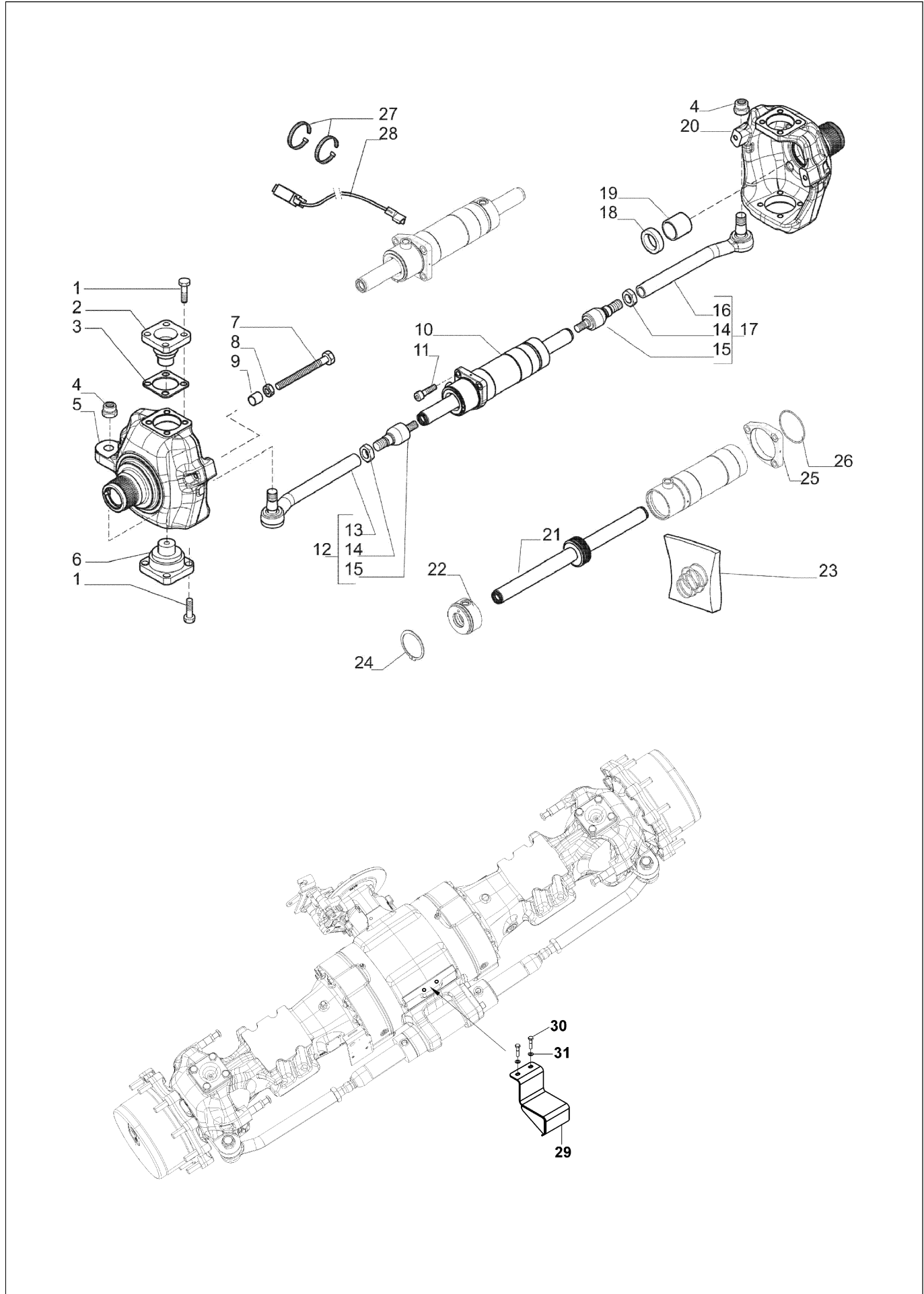


ARKA AKS, MAFSAL GÖVDESİ VE DİREKSİYON SİLİNDİRİ
REAR AXLE, SWIVEL HOUSING AND STEERING CYLINDER

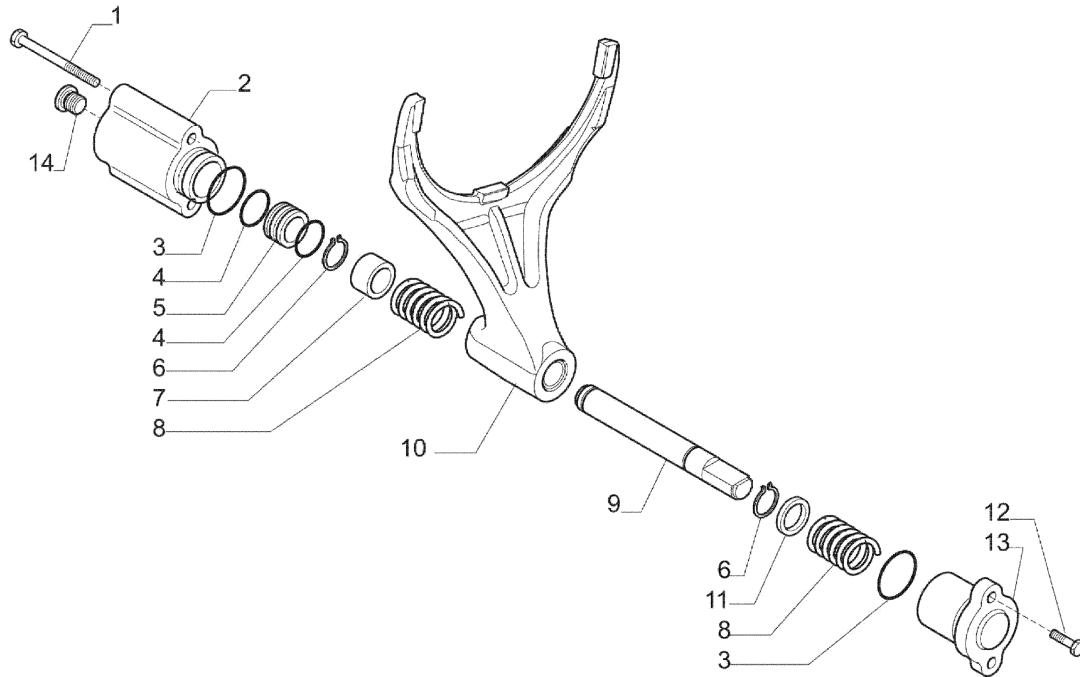
ARKA AKS, MAFSAL GÖVDESİ VE DİREKSİYON SİLİNDİRİ REAR AXLE, SWIVEL HOUSING AND STEERING CYLINDER



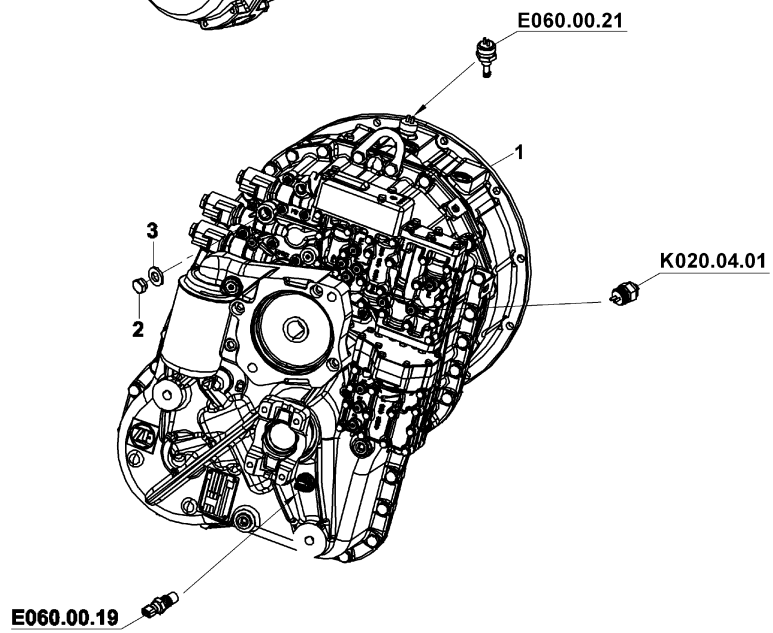
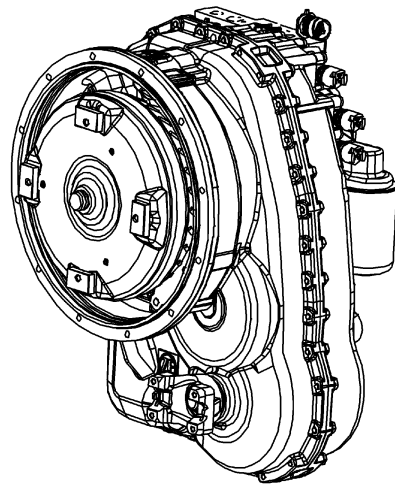
ARKA AKS, MAFSAL GÖVDESİ VE DİREKSİYON SİLİNDİRİ REAR AXLE, SWIVEL HOUSING AND STEERING CYLINDER



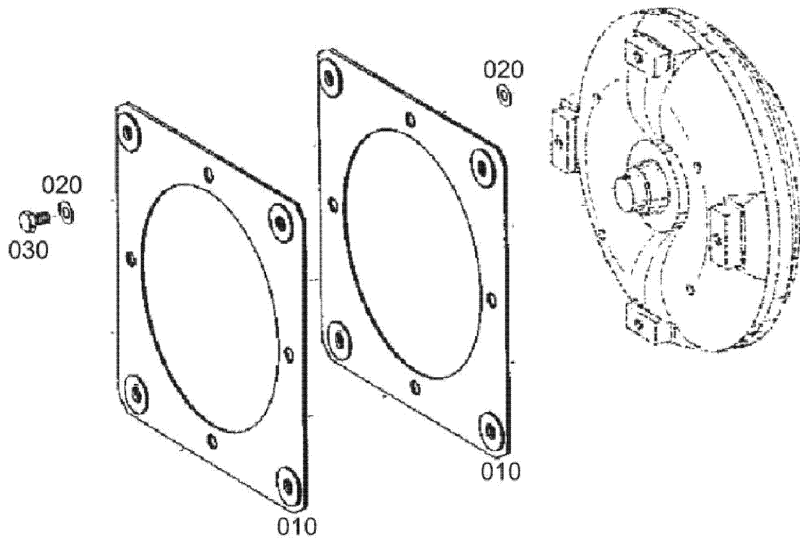
ARKA AKS, DİFERANSİYEL KİLİDİ REAR AXLE, DIFFERENTIAL LOCKING



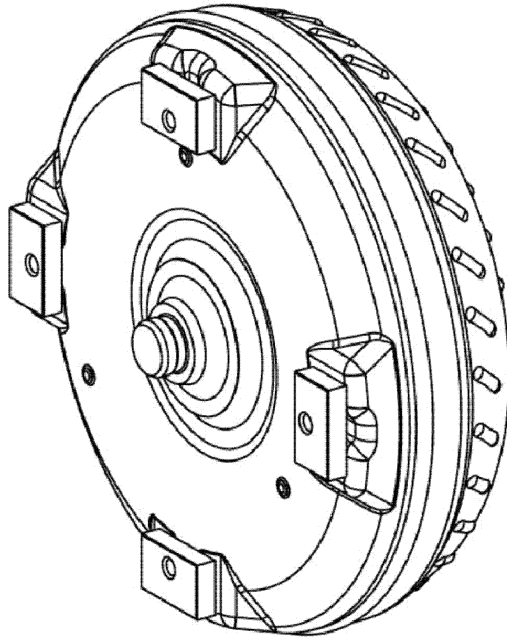
ŞANZIMAN TRANSMISSION



ŞANZIMAN, KONVERTÖR SACI
TRANSMISSION, FLEX PLATE

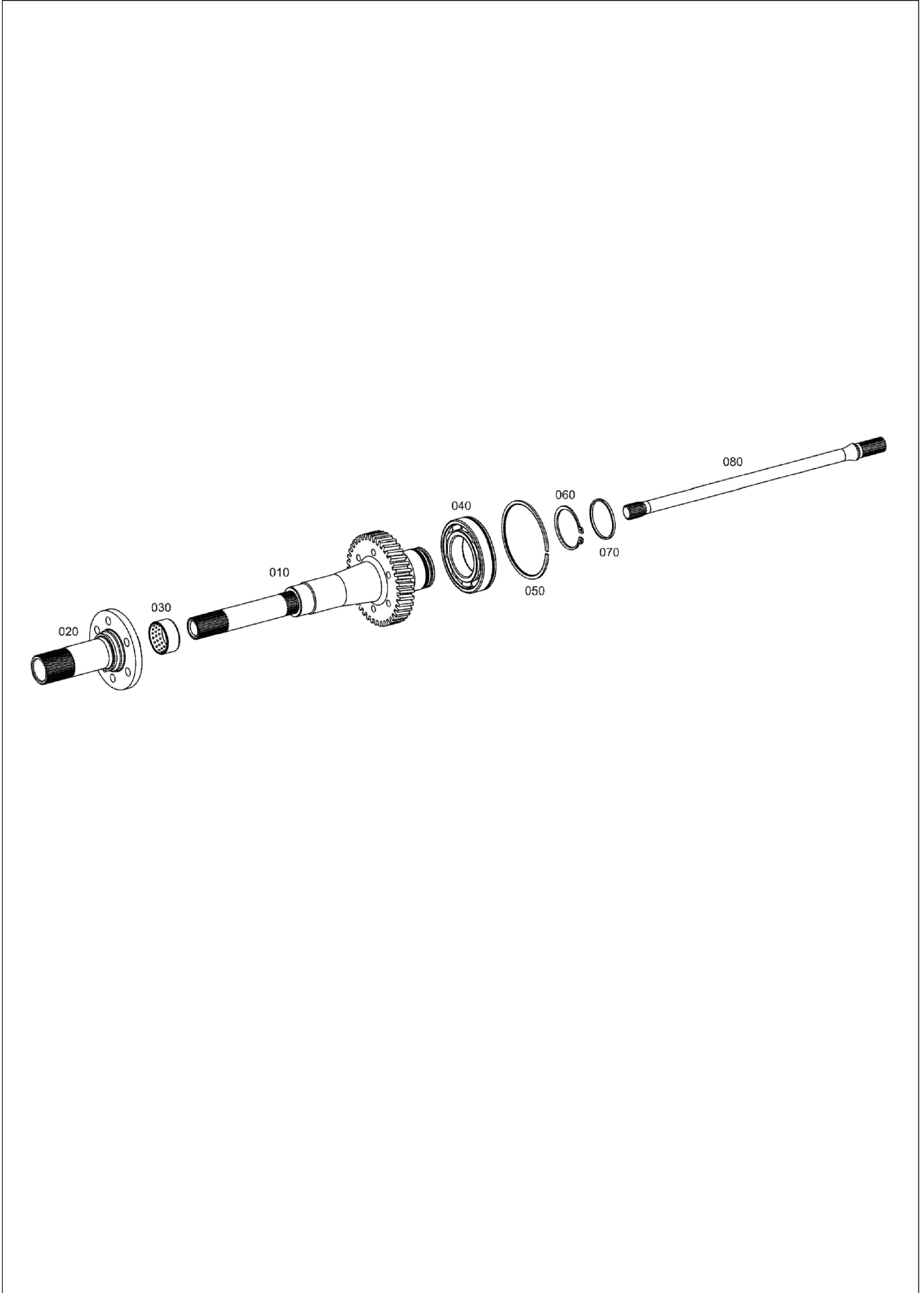


**ŞANZIMAN, KONVERTÖR
TRANSMISSION, CONVERTER**

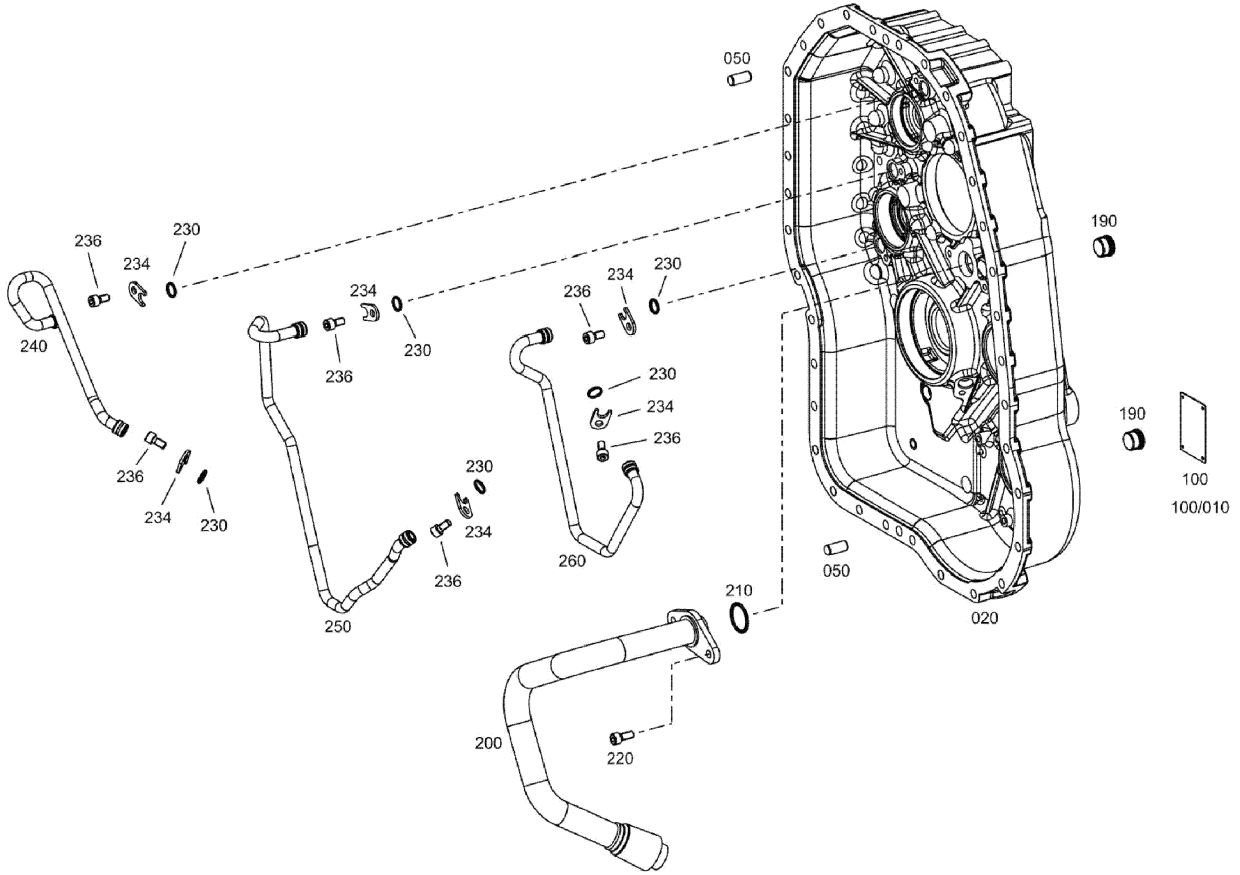


010

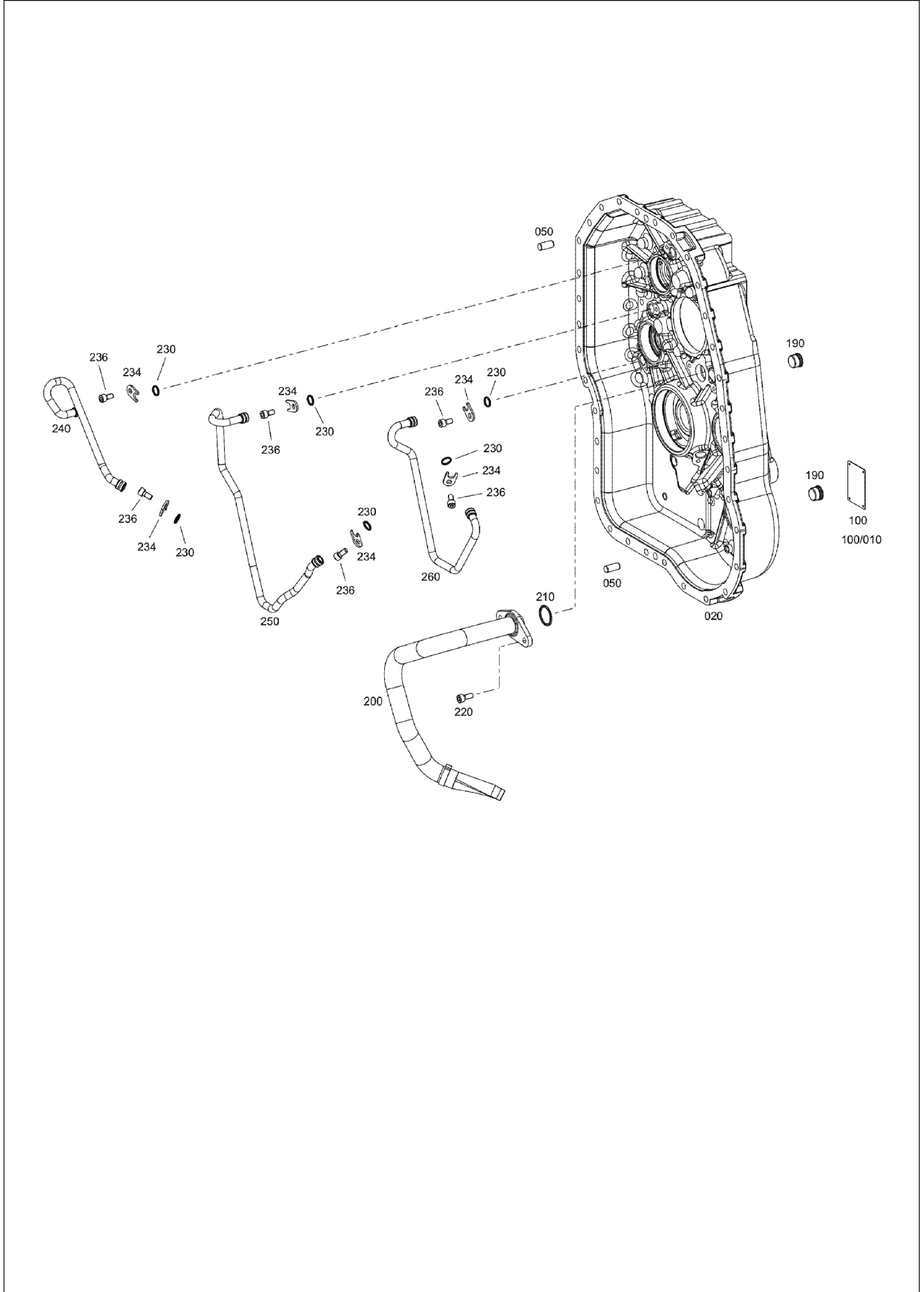
ŞANZIMAN, TAHRİK GRUBU
TRANSMISSION, DRIVE



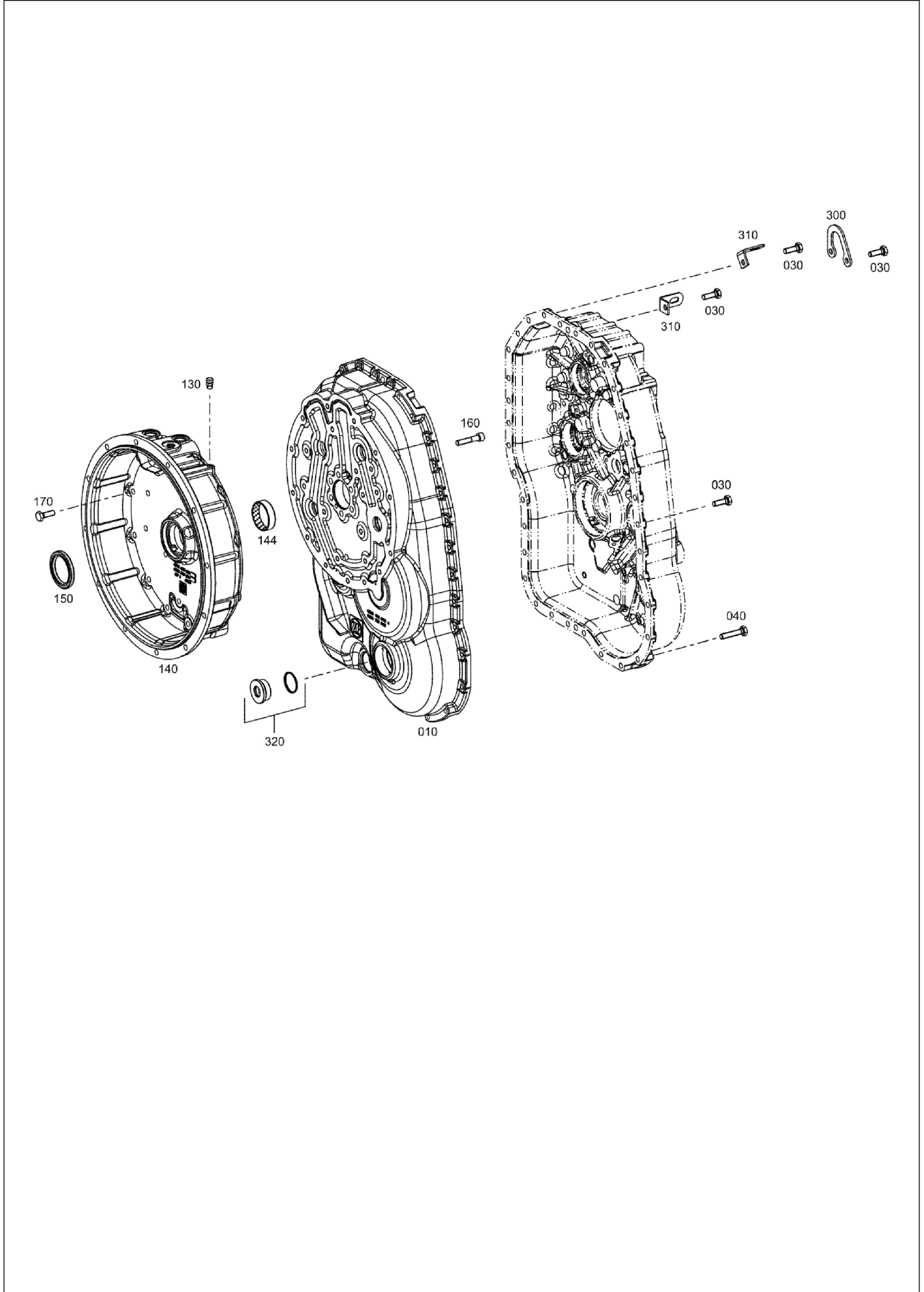
ŞANZIMAN, TRANSMİSYON GÖVDESİ (1)
TRANSMISSION, HOUSING (1)



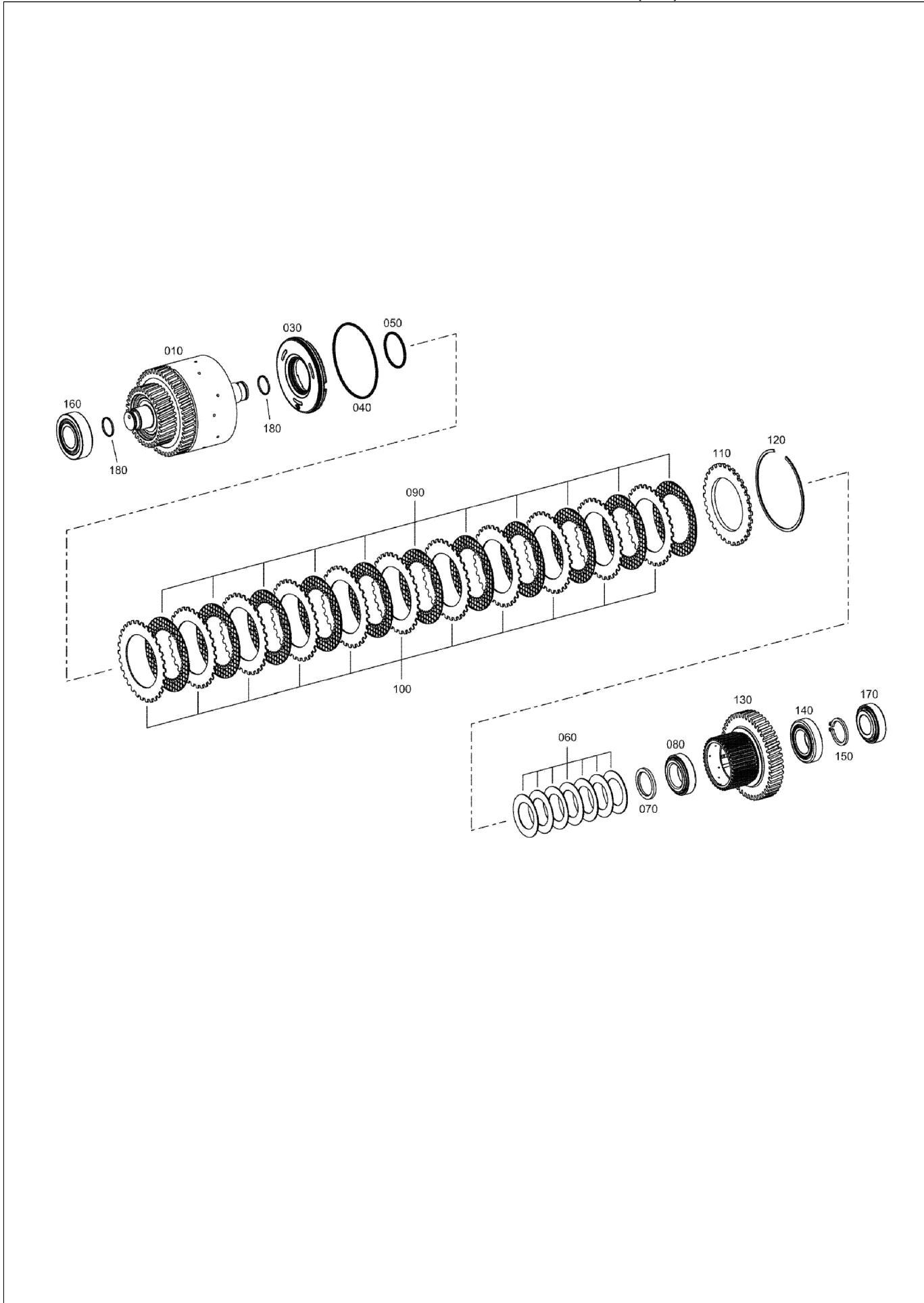
ŞANZIMAN, TRANSMİSYON GÖVDESİ (1) TRANSMISSION, HOUSING (1)



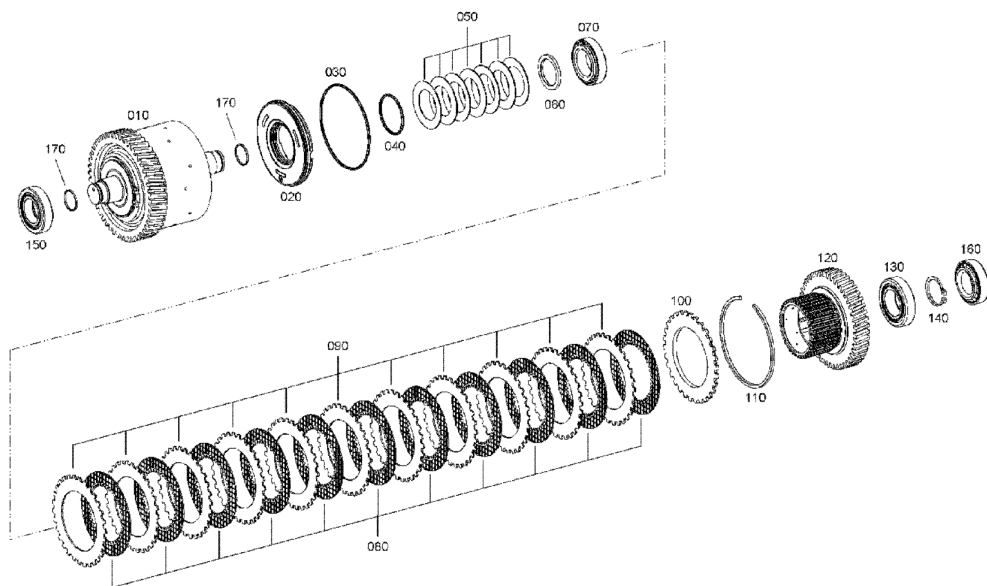
ŞANZIMAN, TRANSMİSYON GÖVDESİ (2) TRANSMISSION, HOUSING (2)



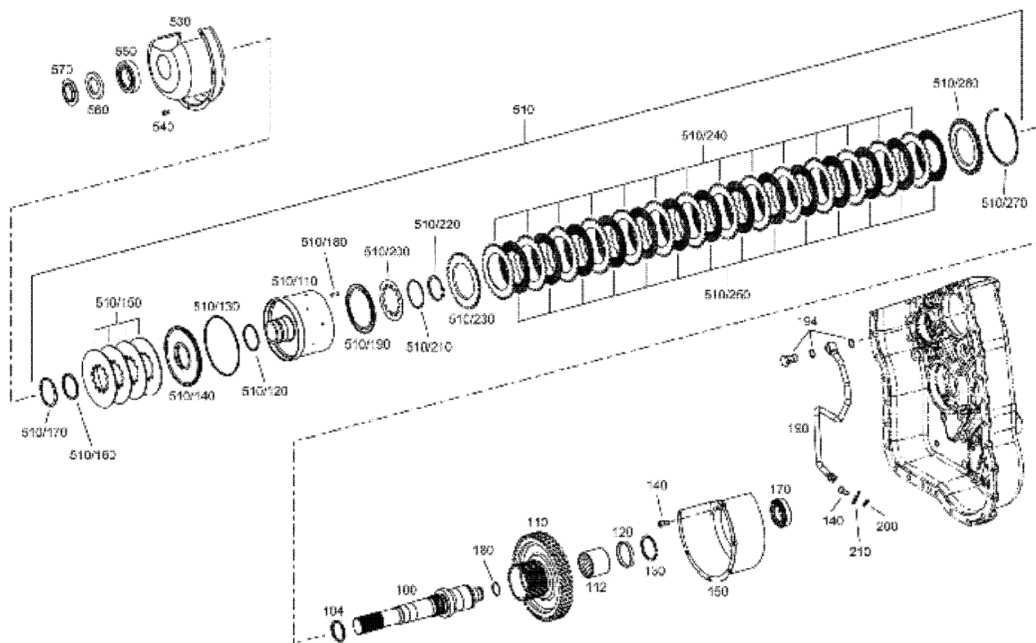
ŞANZIMAN, KAVRAMA (KV) TRANSMISSION, REVERSING GEAR (KV)



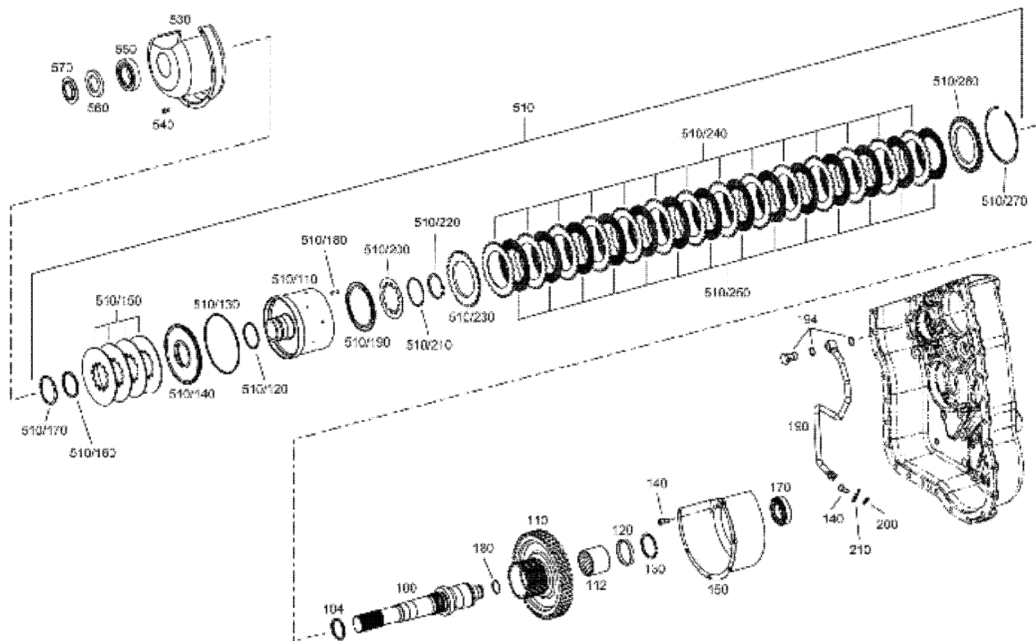
ŞANZIMAN, KAVRAMA (KR)
TRANSMISSION, REVERSING GEAR (KR)



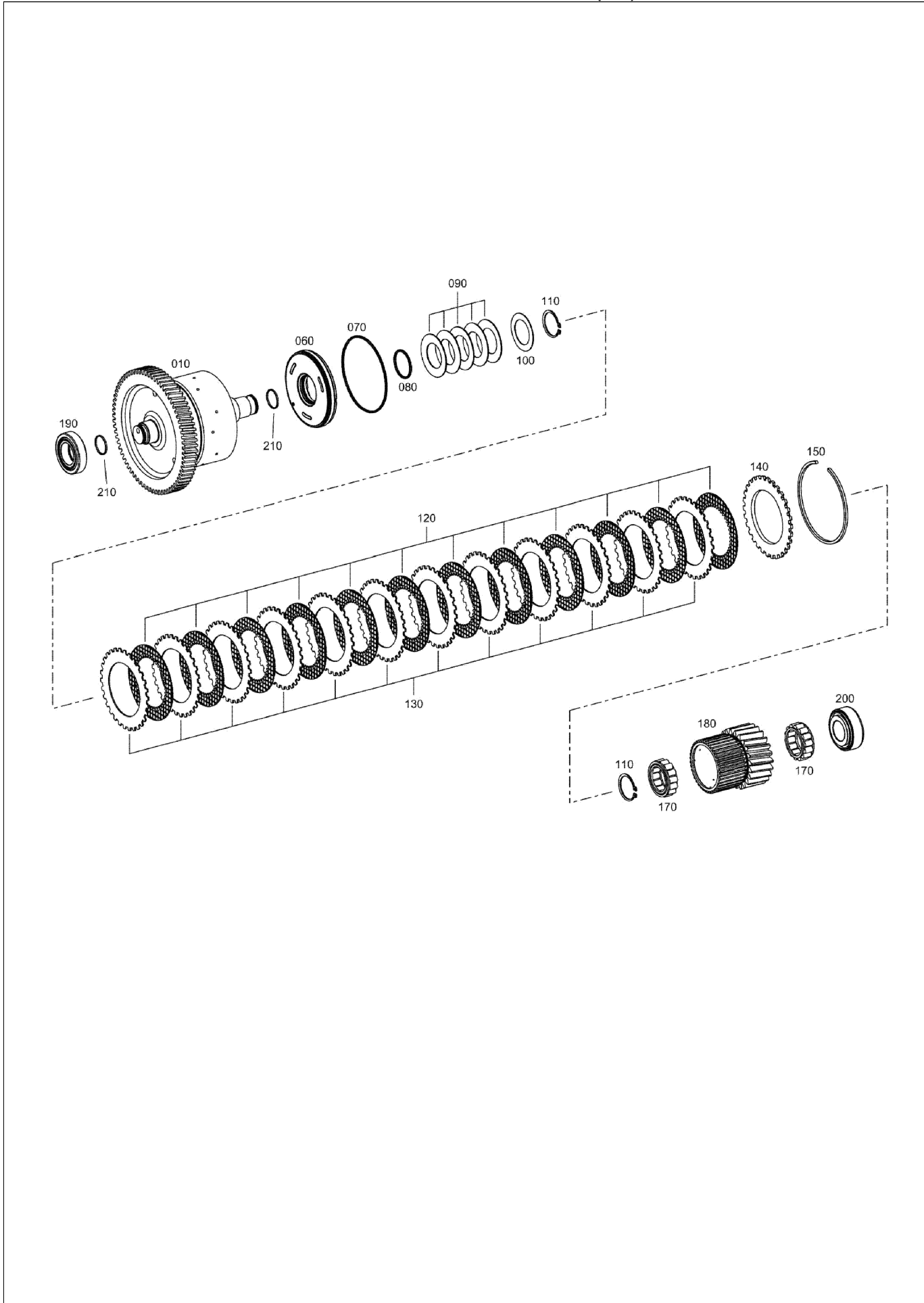
ŞANZIMAN, KAVRAMA (VA)
TRANSMISSION, COUPLING (VA)



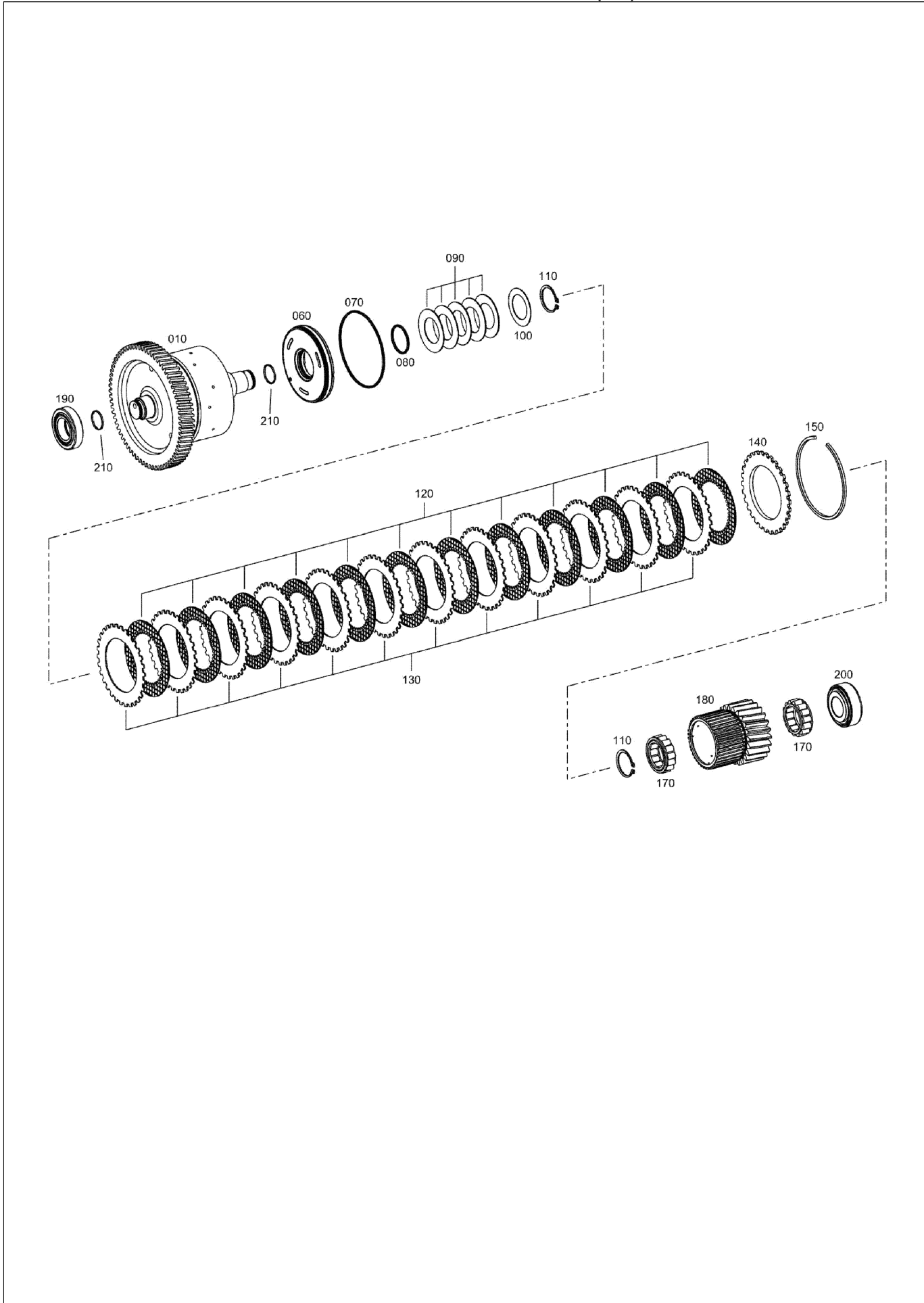
ŞANZIMAN, KAVRAMA (VA) TRANSMISSION, COUPLING (VA)



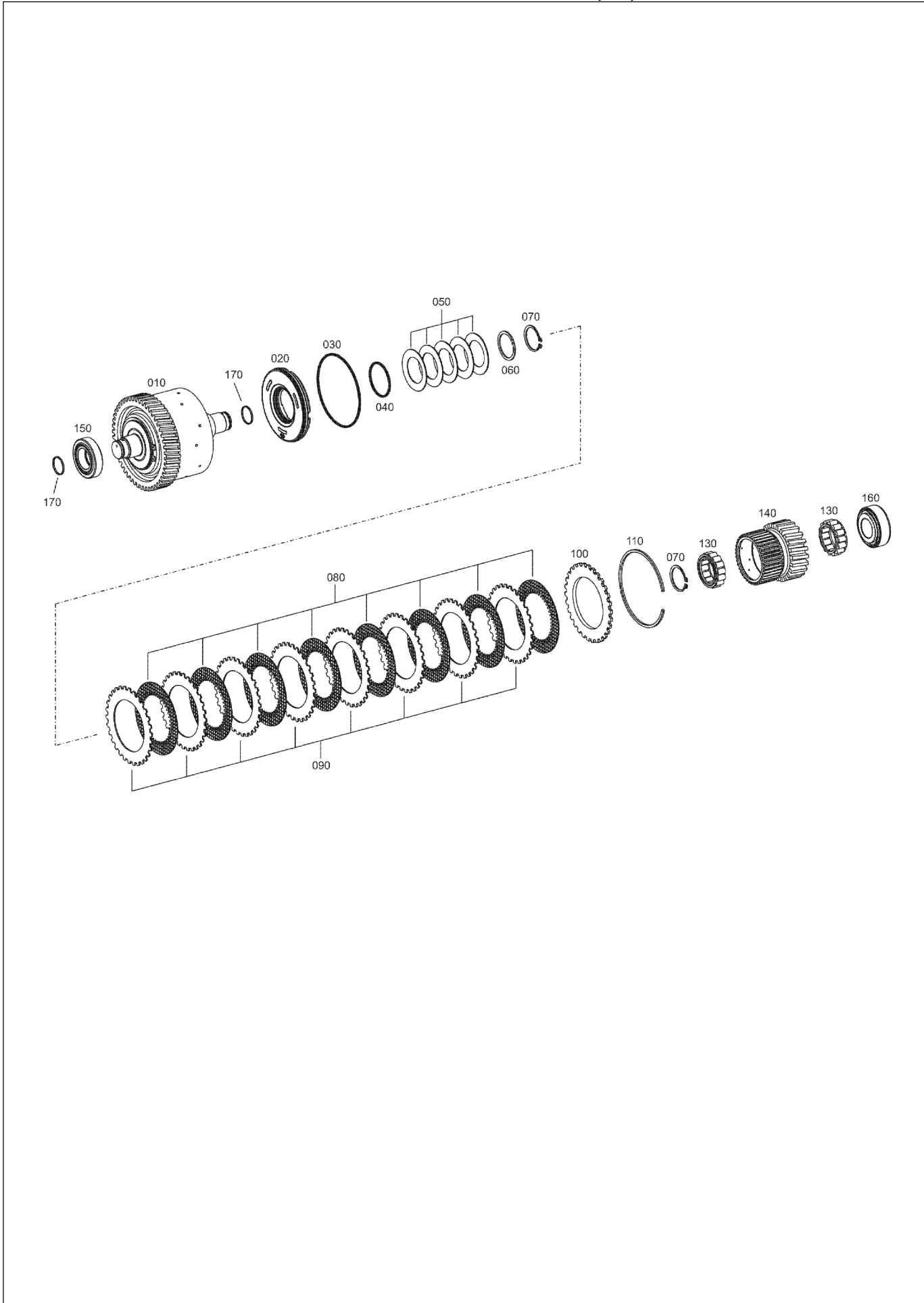
ŞANZIMAN, KAVRAMA (K1) TRANSMISSION, COUPLING (K1)



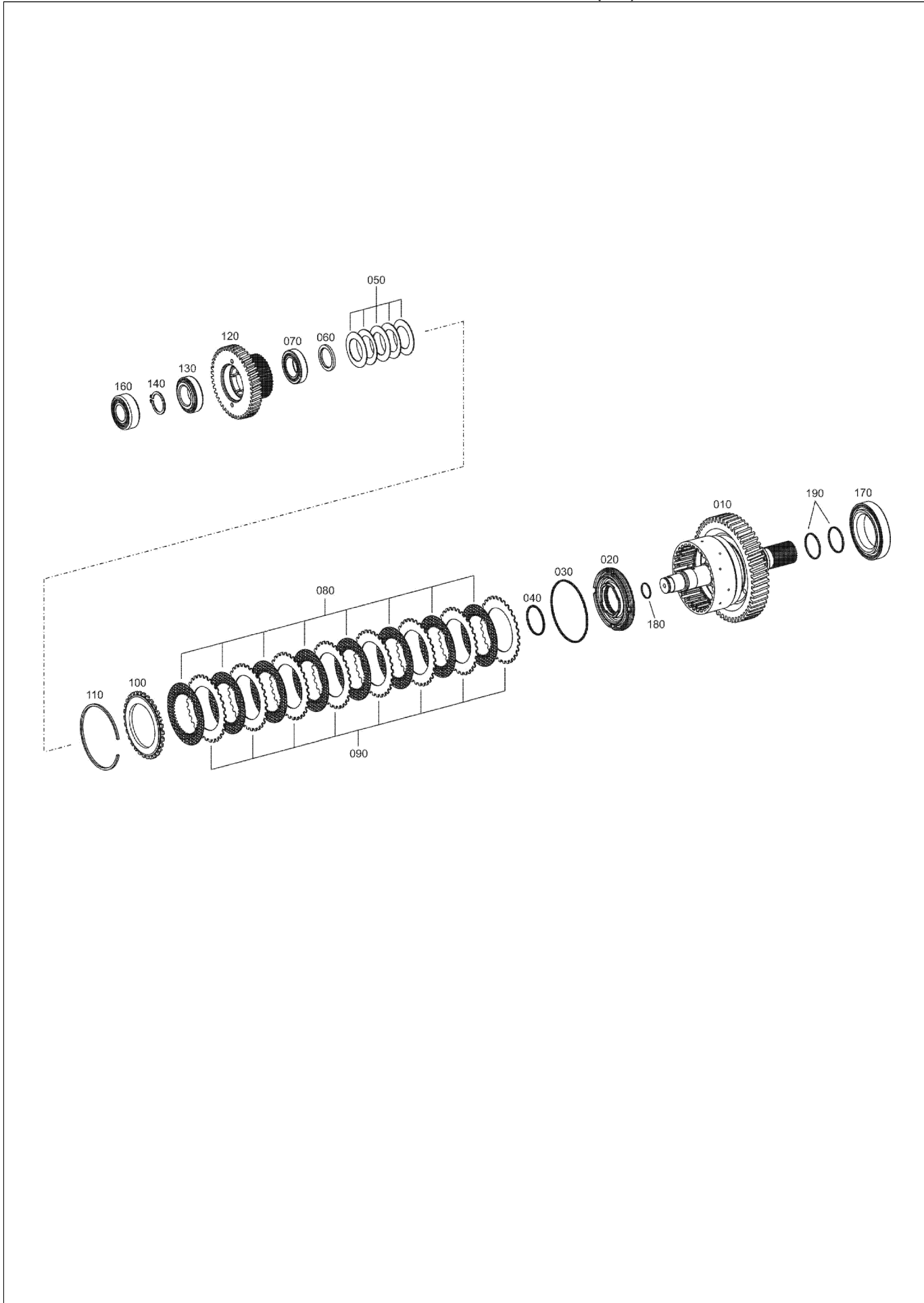
ŞANZIMAN, KAVRAMA (K1)
TRANSMISSION, COUPLING (K1)



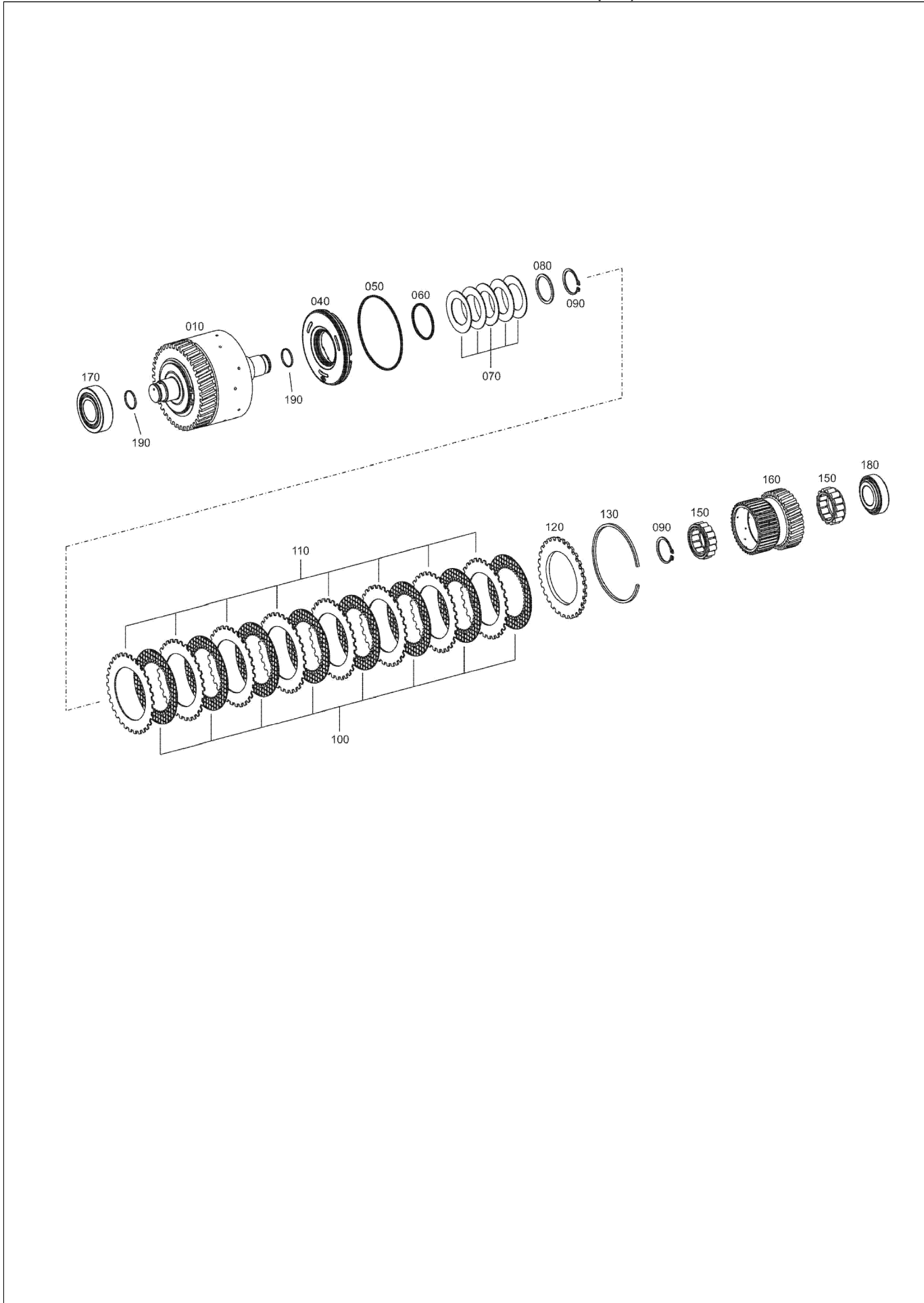
ŞANZIMAN, KAVRAMA (K2) TRANSMISSION, COUPLING (K2)



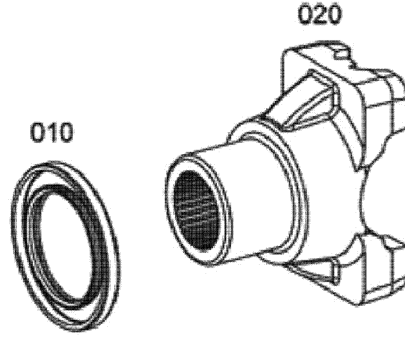
ŞANZIMAN, KAVRAMA (K3)
TRANSMISSION, COUPLING (K3)



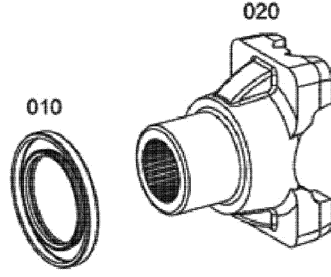
ŞANZIMAN, KAVRAMA (K4)
TRANSMISSION, COUPLING (K4)



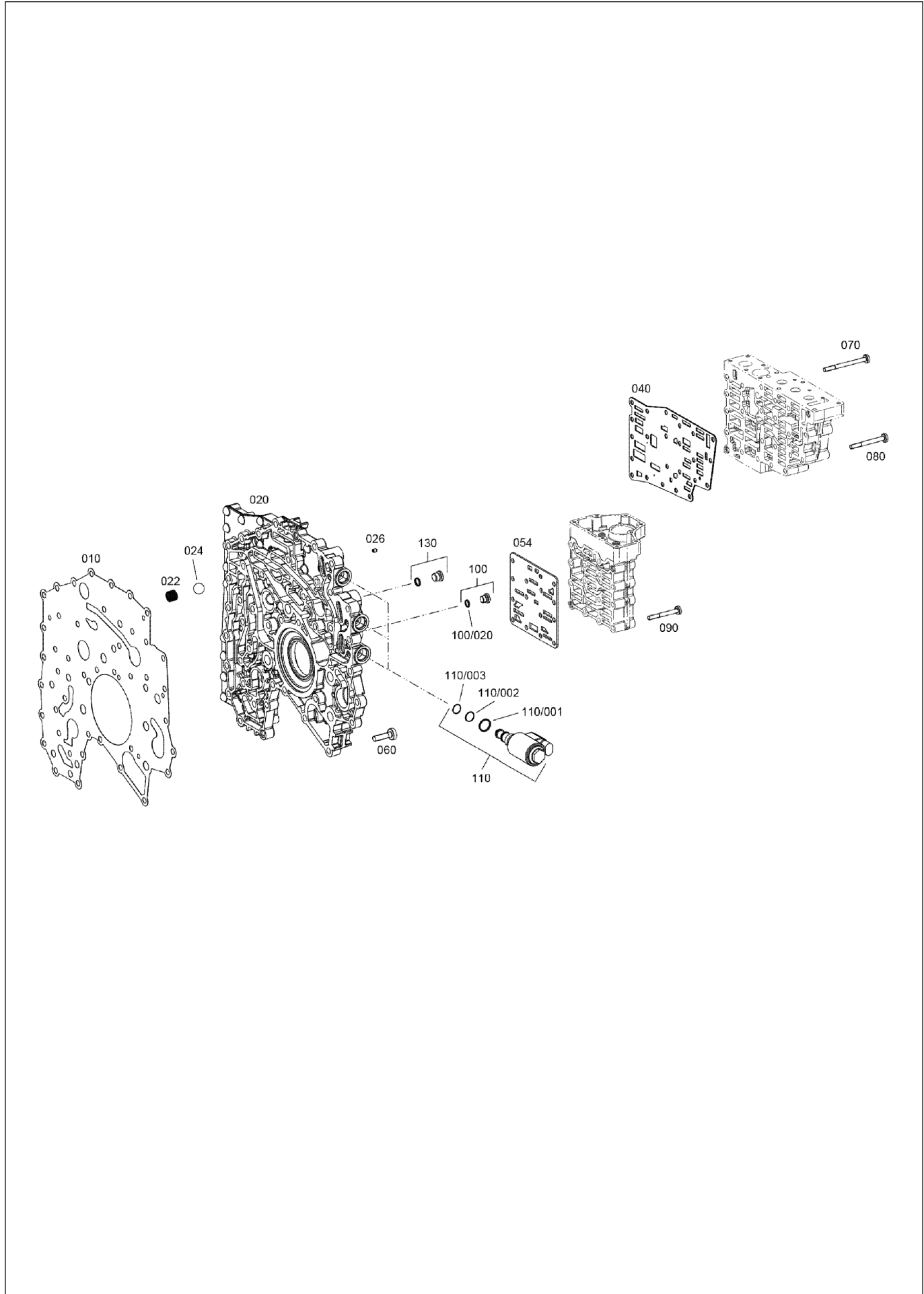
**ŞANZIMAN, ÇIKIŞ
TRANSMISSION, OUTPUT**



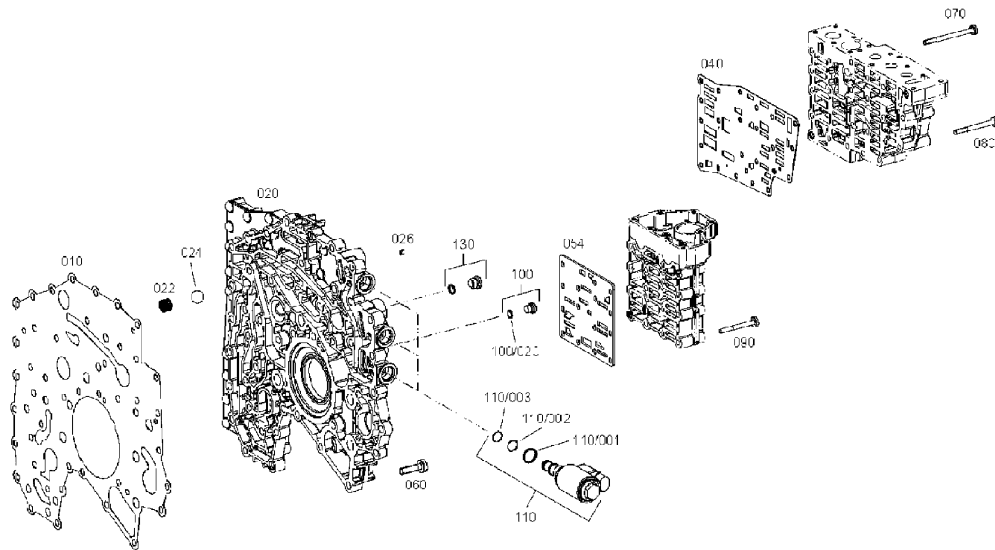
**ŞANZIMAN, ÇIKIŞ
TRANSMISSION, OUTPUT**



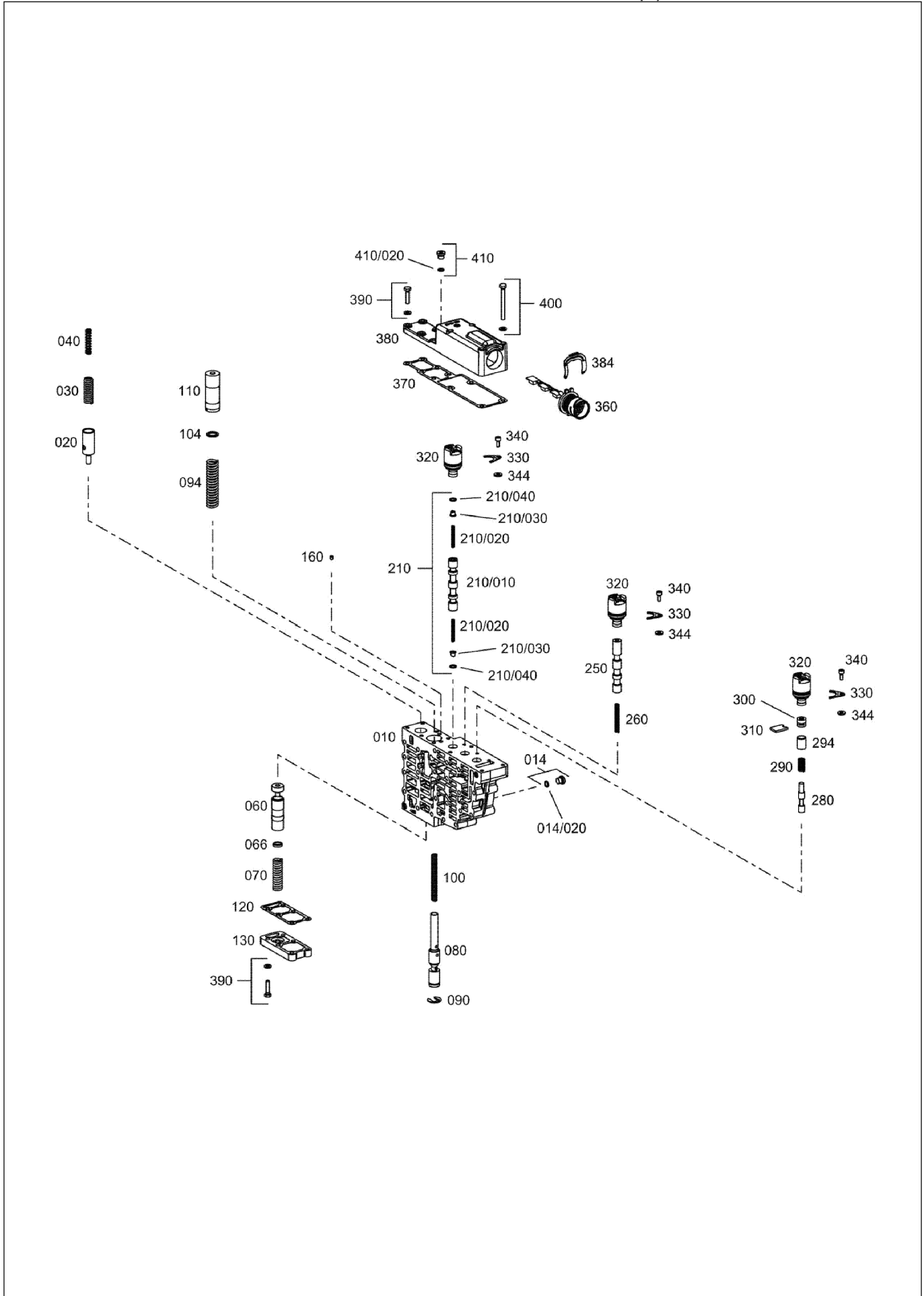
ŞANZIMAN, KONTROL GRUBU TRANSMISSION, CONTROL GROUP



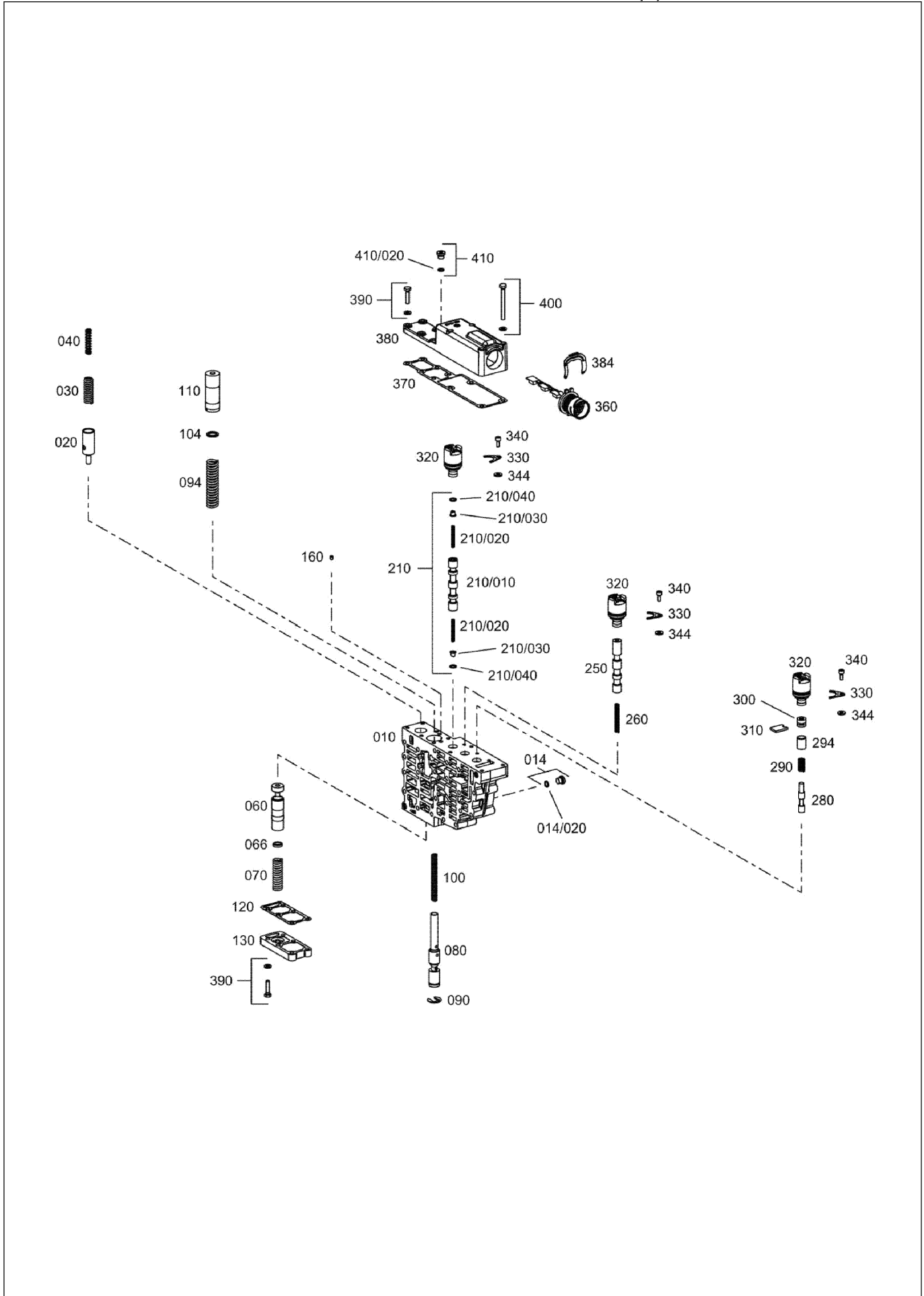
ŞANZIMAN, KONTROL GRUBU TRANSMISSION, CONTROL GROUP



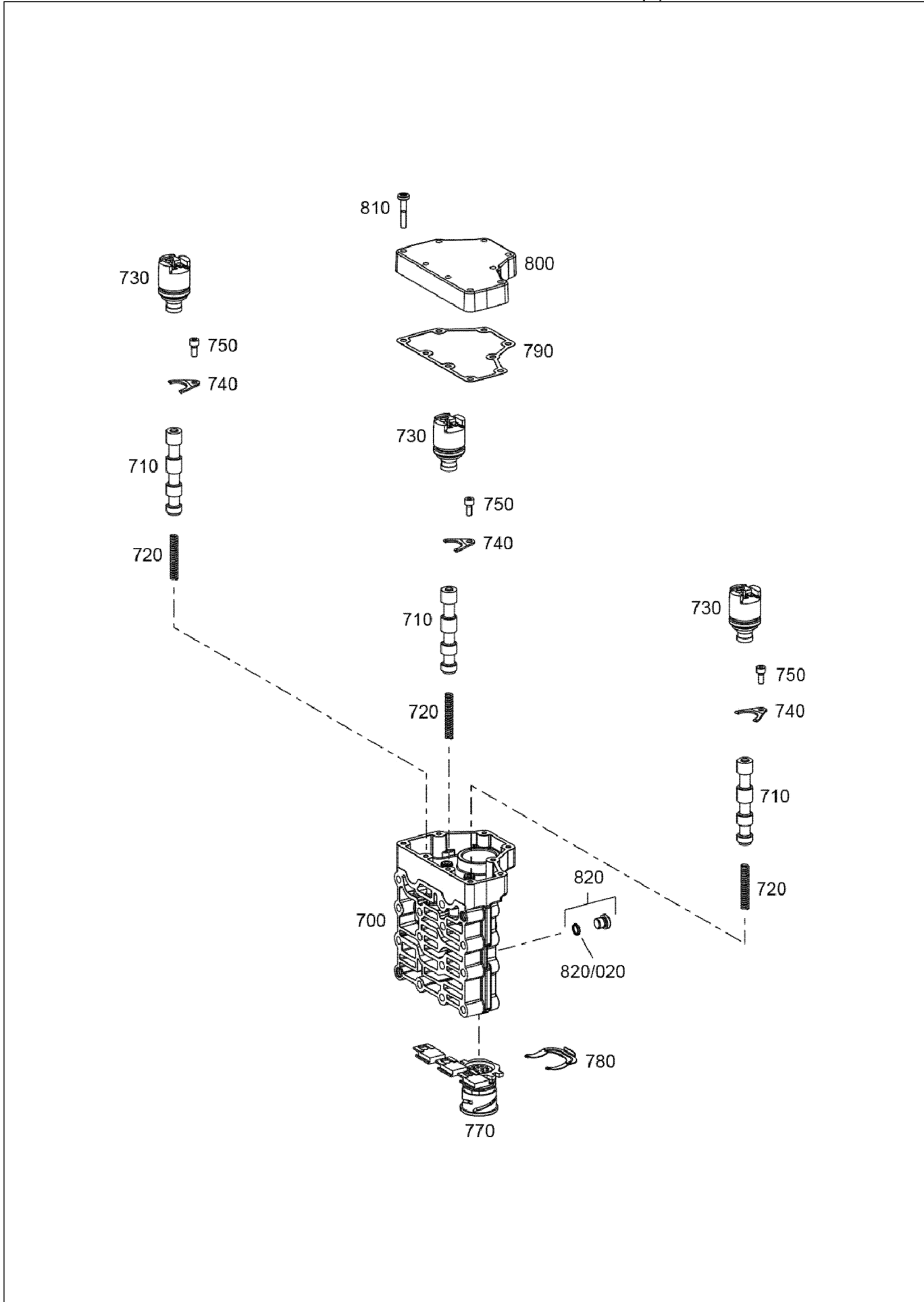
ŞANZIMAN, KONTROL VALFİ (1)
TRANSMISSION, CONTROL VALVE (1)



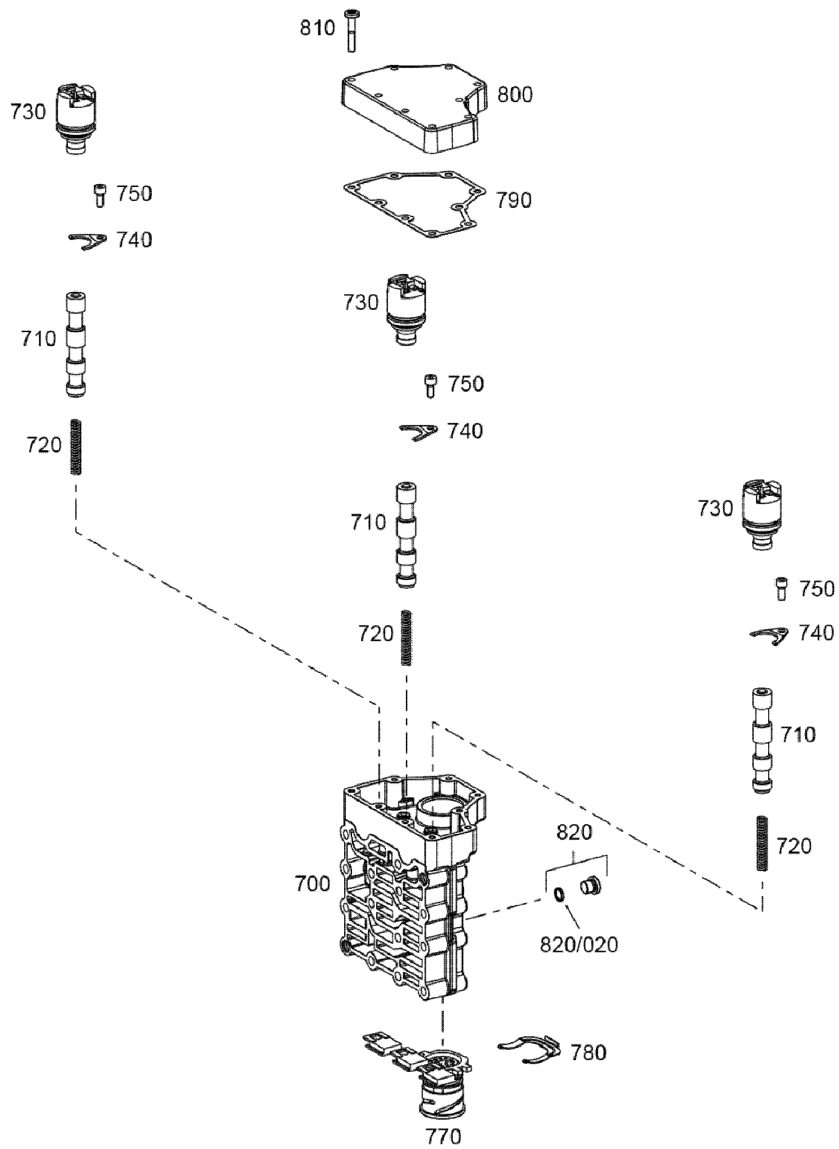
ŞANZIMAN, KONTROL VALFİ (1)
 TRANSMISSION, CONTROL VALVE (1)



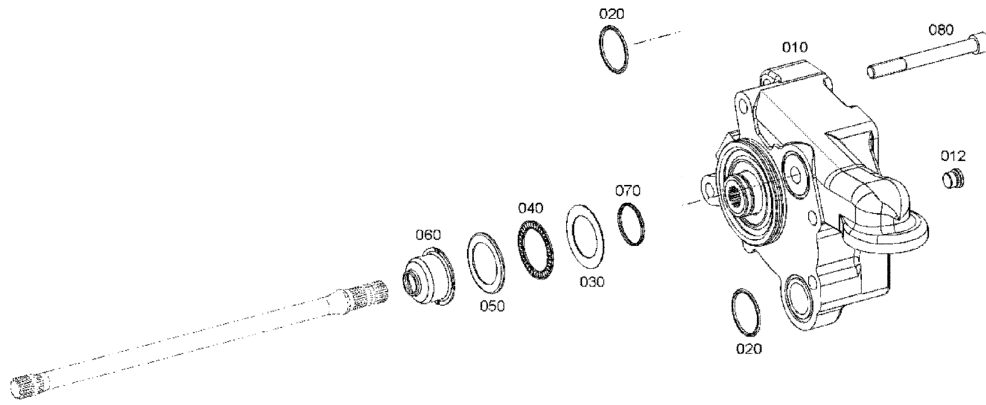
ŞANZIMAN, KONTROL VALFİ (2) TRANSMISSION, CONTROL VALVE (2)



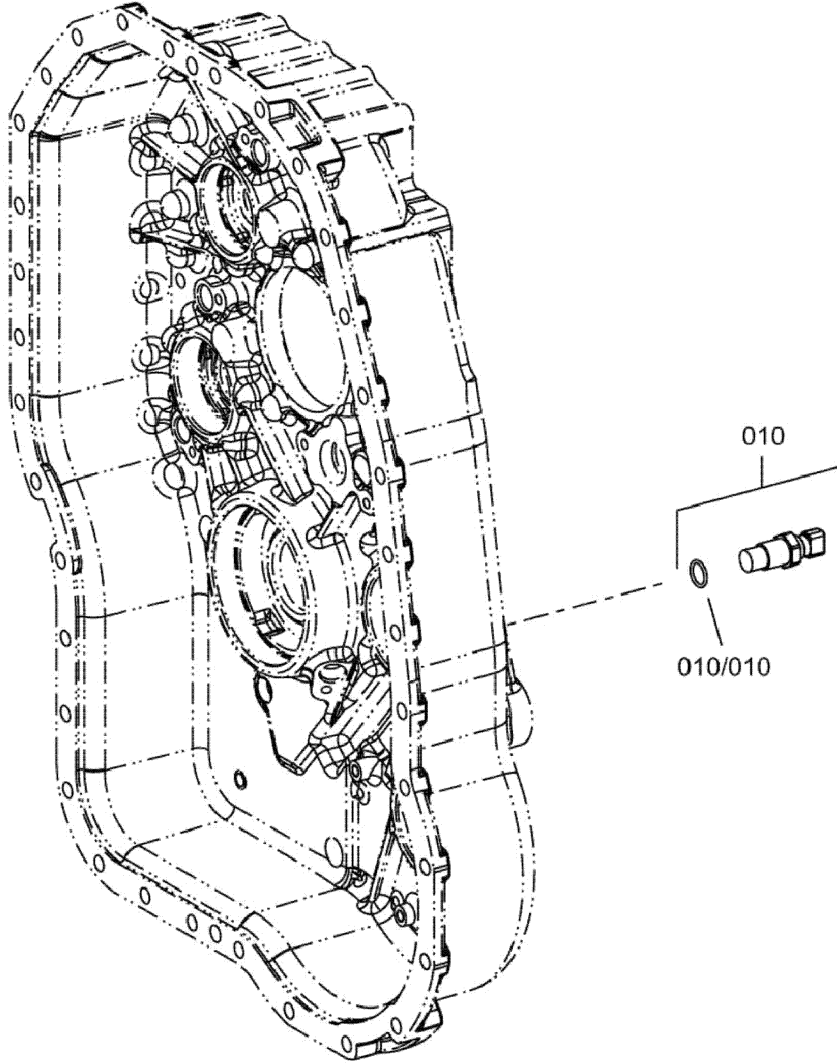
ŞANZIMAN, KONTROL VALFİ (2)
 TRANSMISSION, CONTROL VALVE (2)



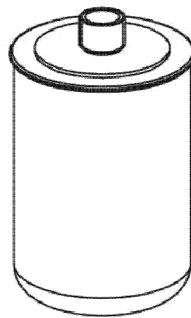
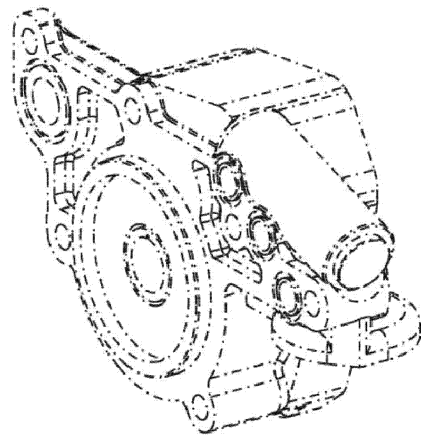
ŞANZIMAN, YAĞ POMPASI
TRANSMISSION, OIL PUMP



ŞANZIMAN, HIZ SENSÖRÜ
TRANSMISSION, SPEED SENSOR

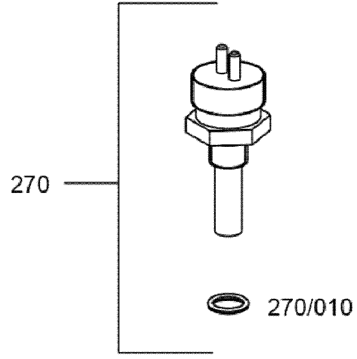


ŞANZIMAN, FİLTRE
TRANSMISSION, FILTER

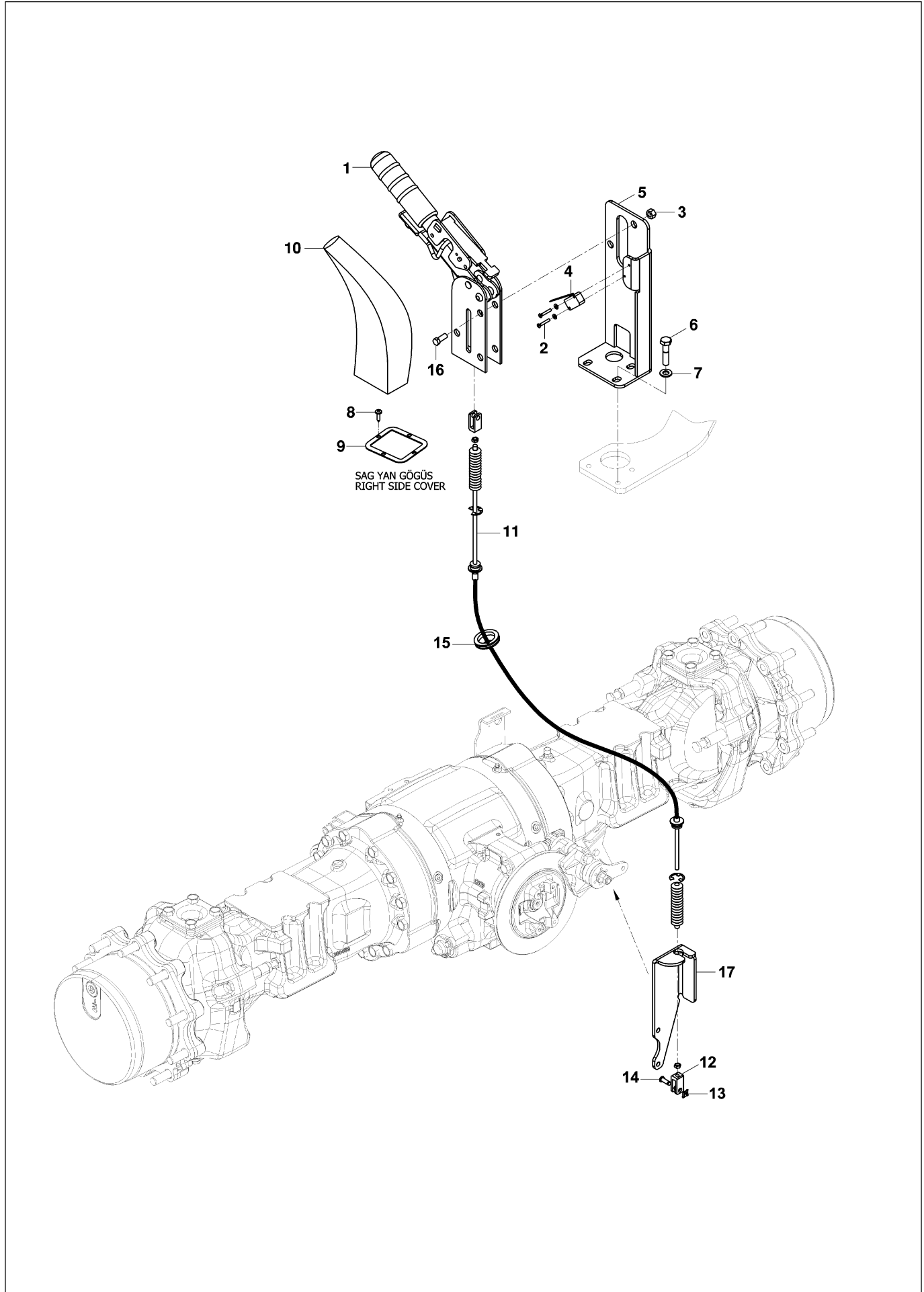


030

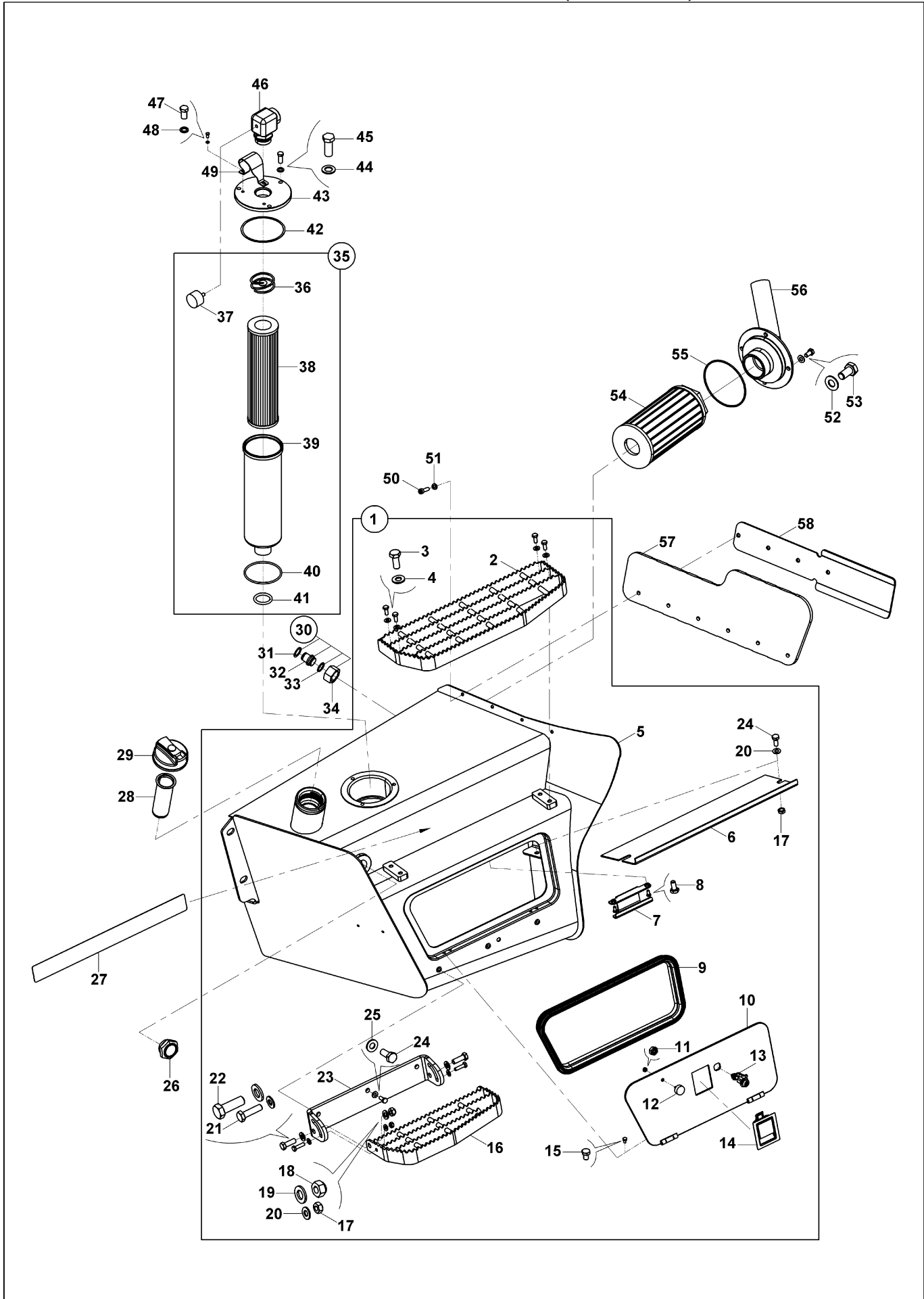
ŞANZIMAN, HARARET MÜŞÜRÜ
TRANSMISSION, TEMP. SENSOR



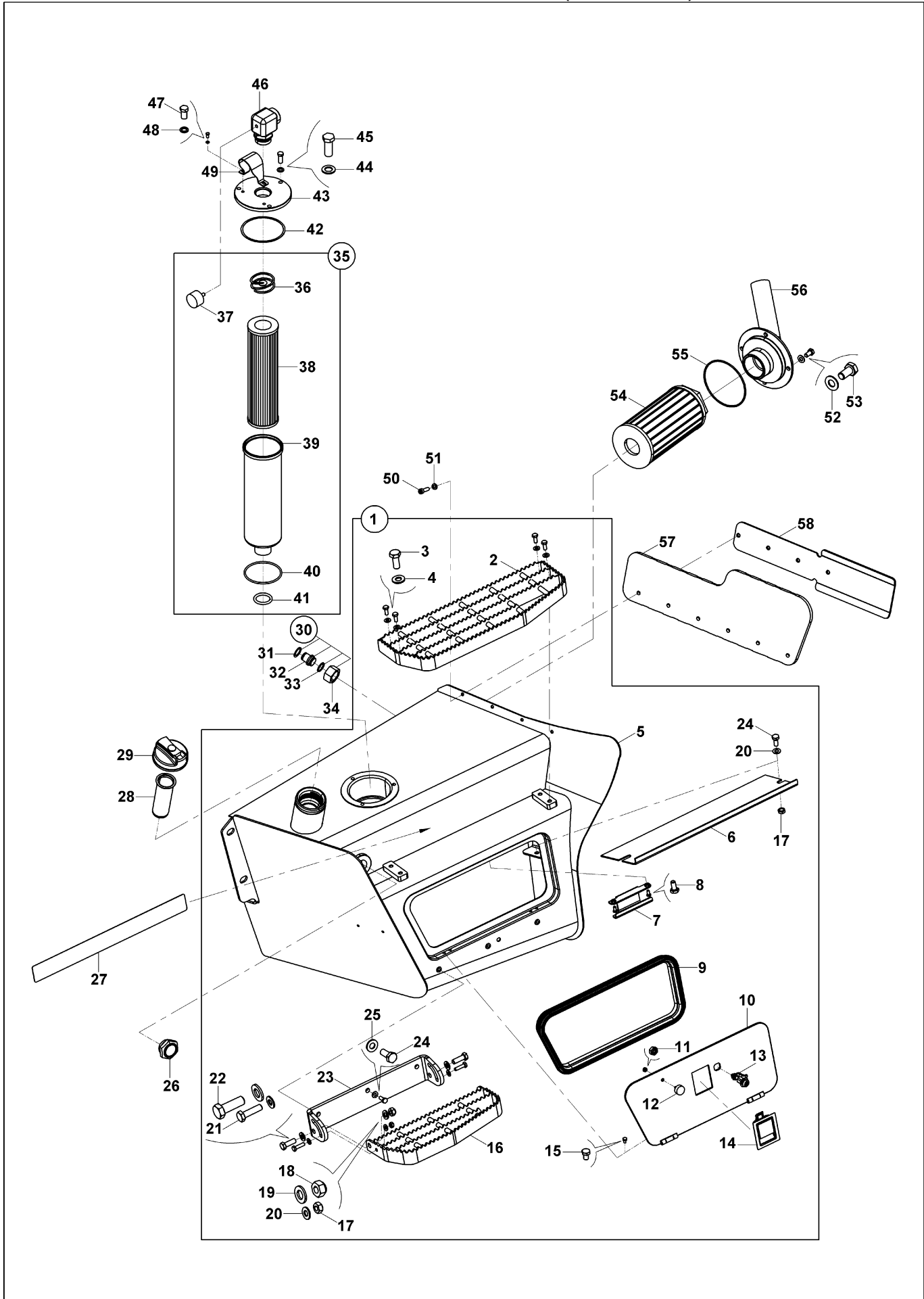
PARK FRENI PARKING BRAKE



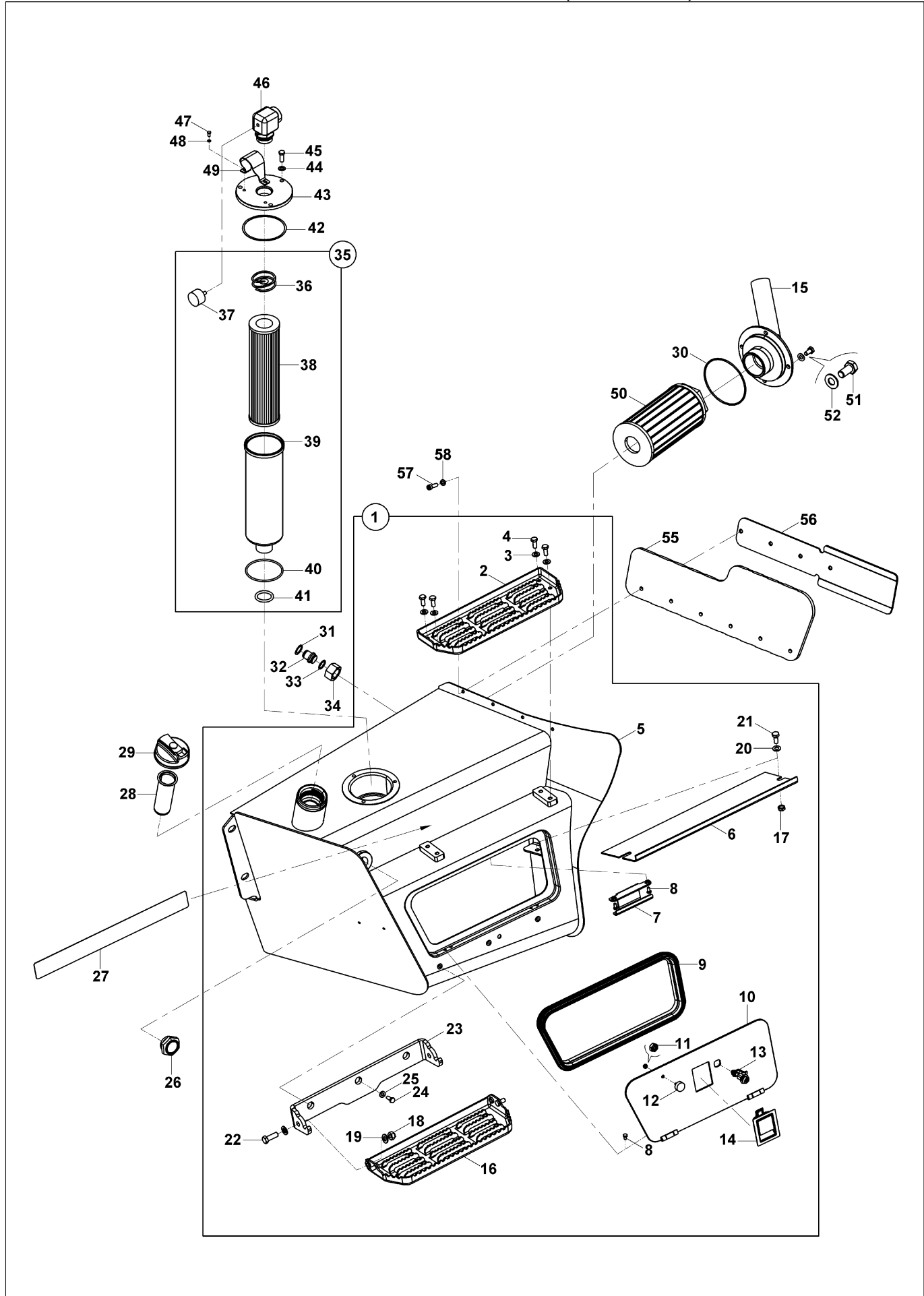
HİDROLİK TANK MONTAJI (VERSİYON 1)
HYDRAULIC TANK MOUNTING (VERSION 1)



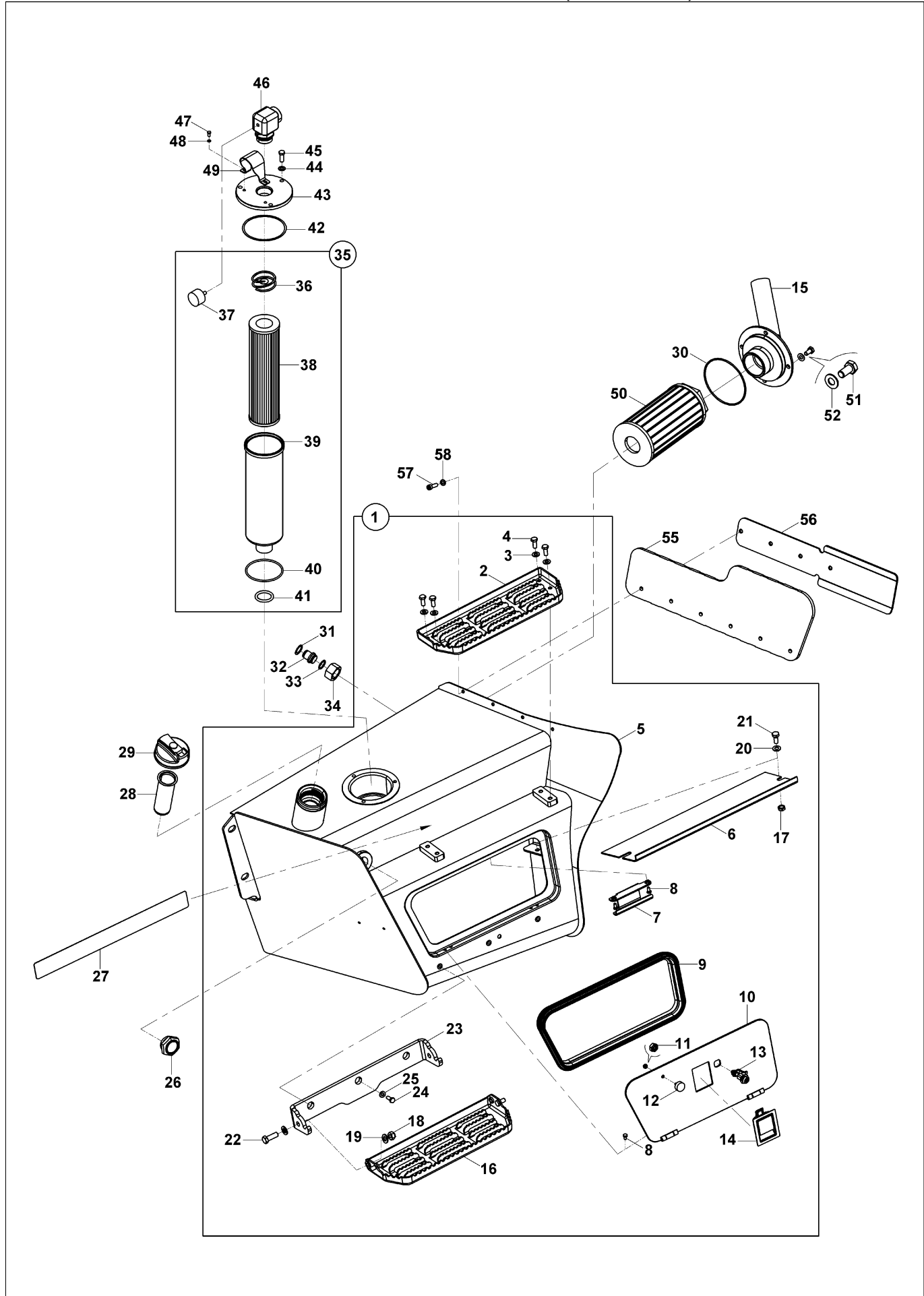
HİDROLİK TANK MONTAJI (VERSİYON 1)
HYDRAULIC TANK MOUNTING (VERSION 1)



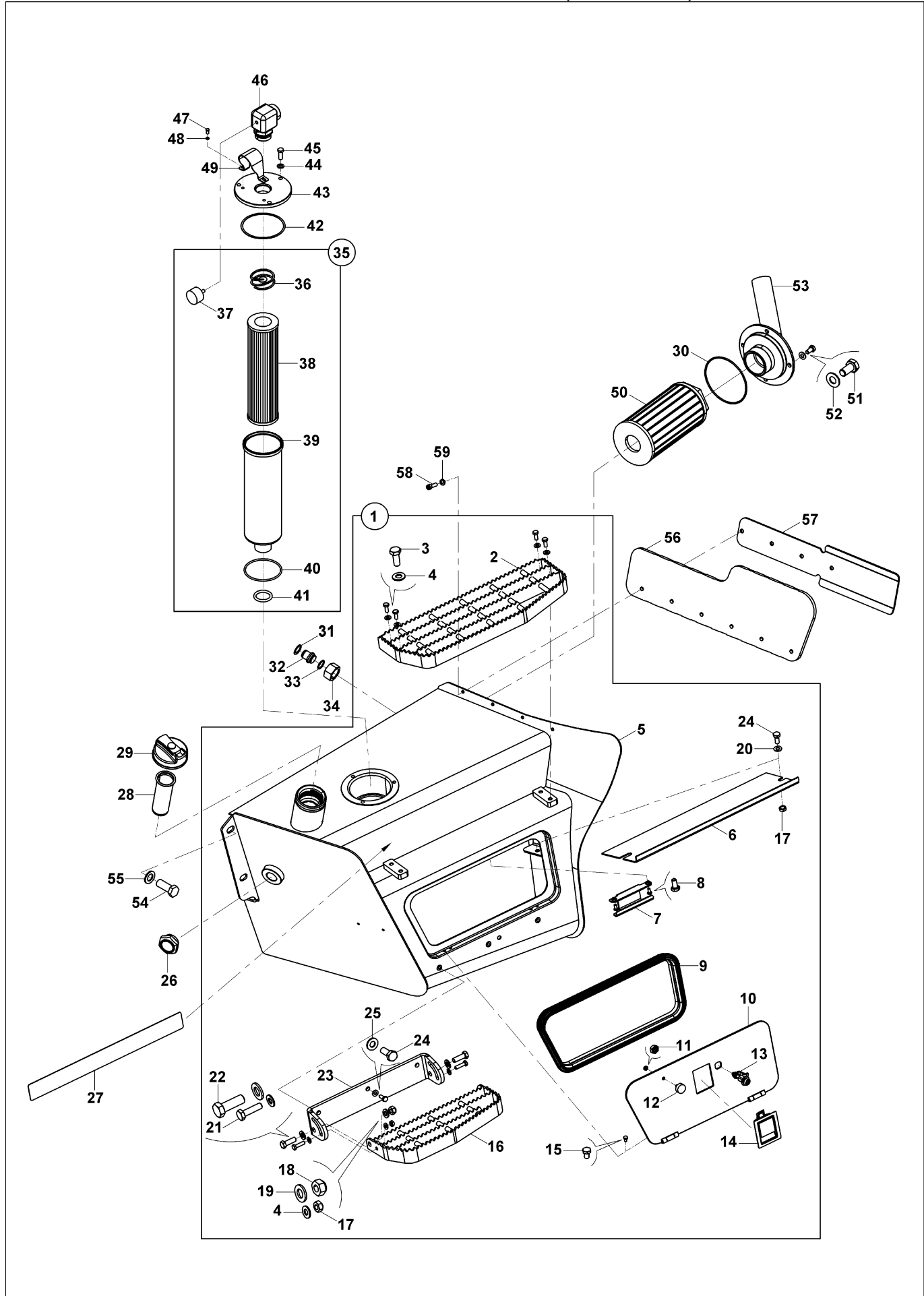
HİDROLİK TANK MONTAJI (VERSİYON 1)
HYDRAULIC TANK MOUNTING (VERSION 1)



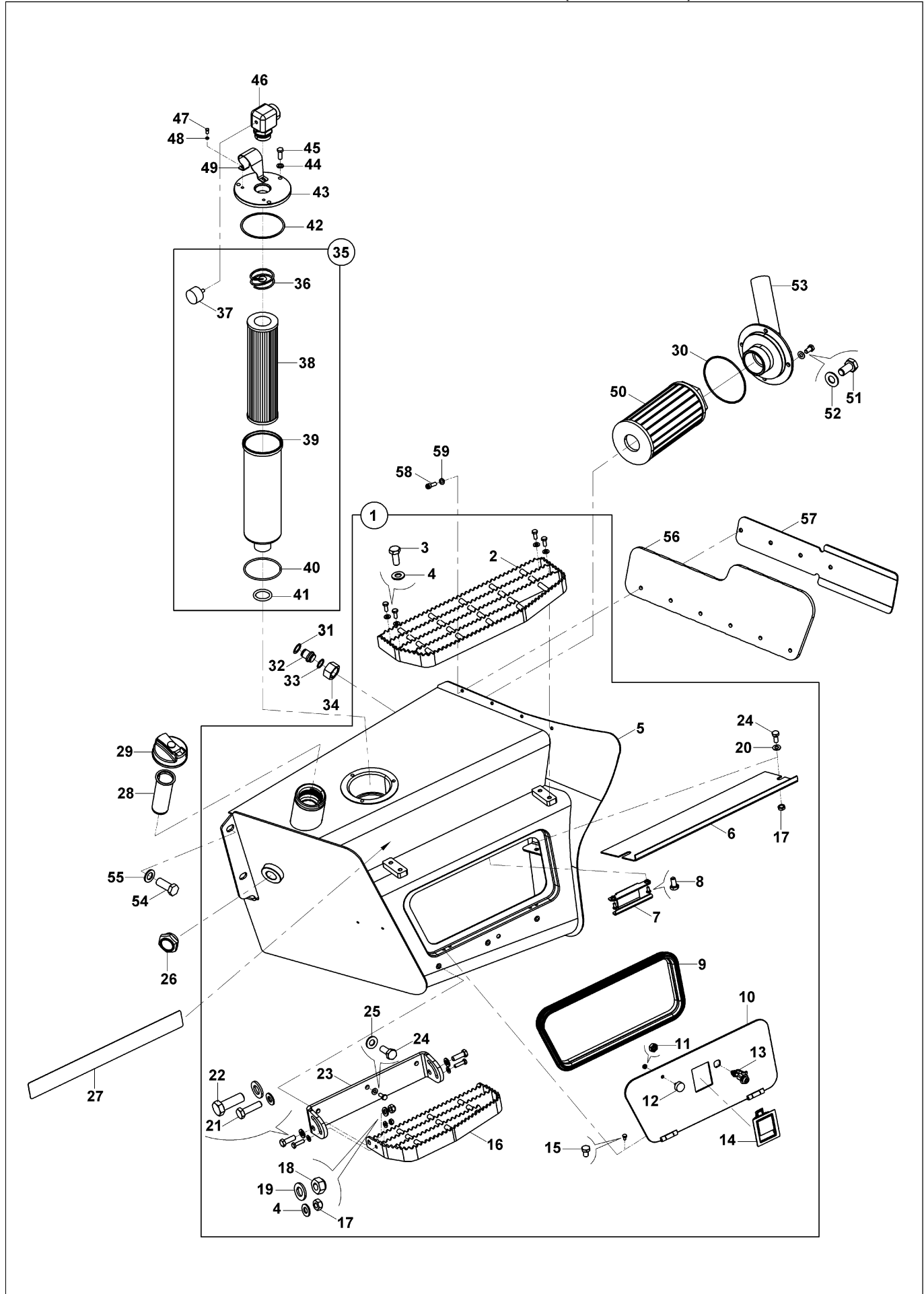
HİDROLİK TANK MONTAJI (VERSİYON 1)
HYDRAULIC TANK MOUNTING (VERSION 1)



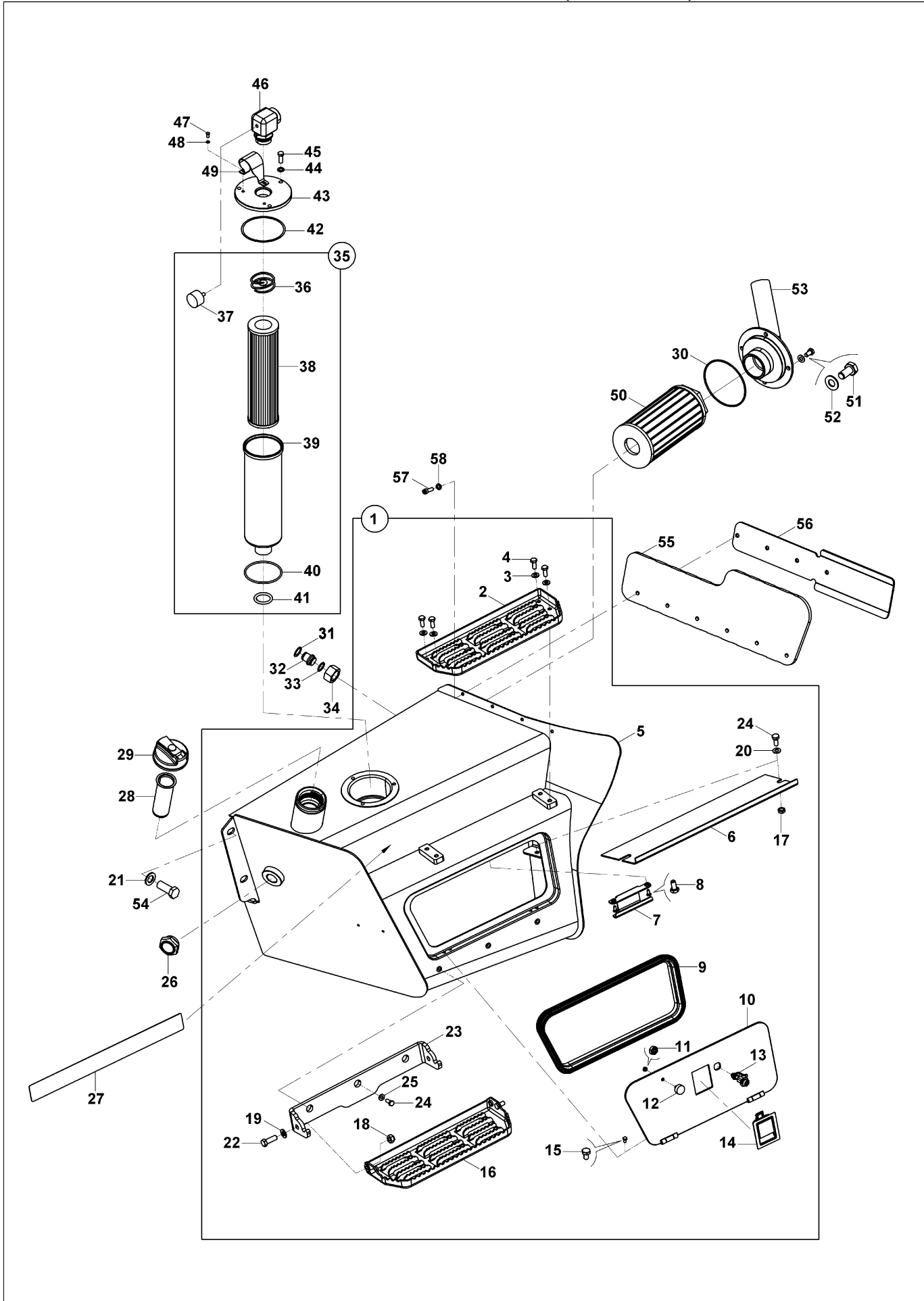
HİDROLİK TANK MONTAJI (VERSİYON 1)
 HYDRAULIC TANK MOUNTING (VERSION 1)



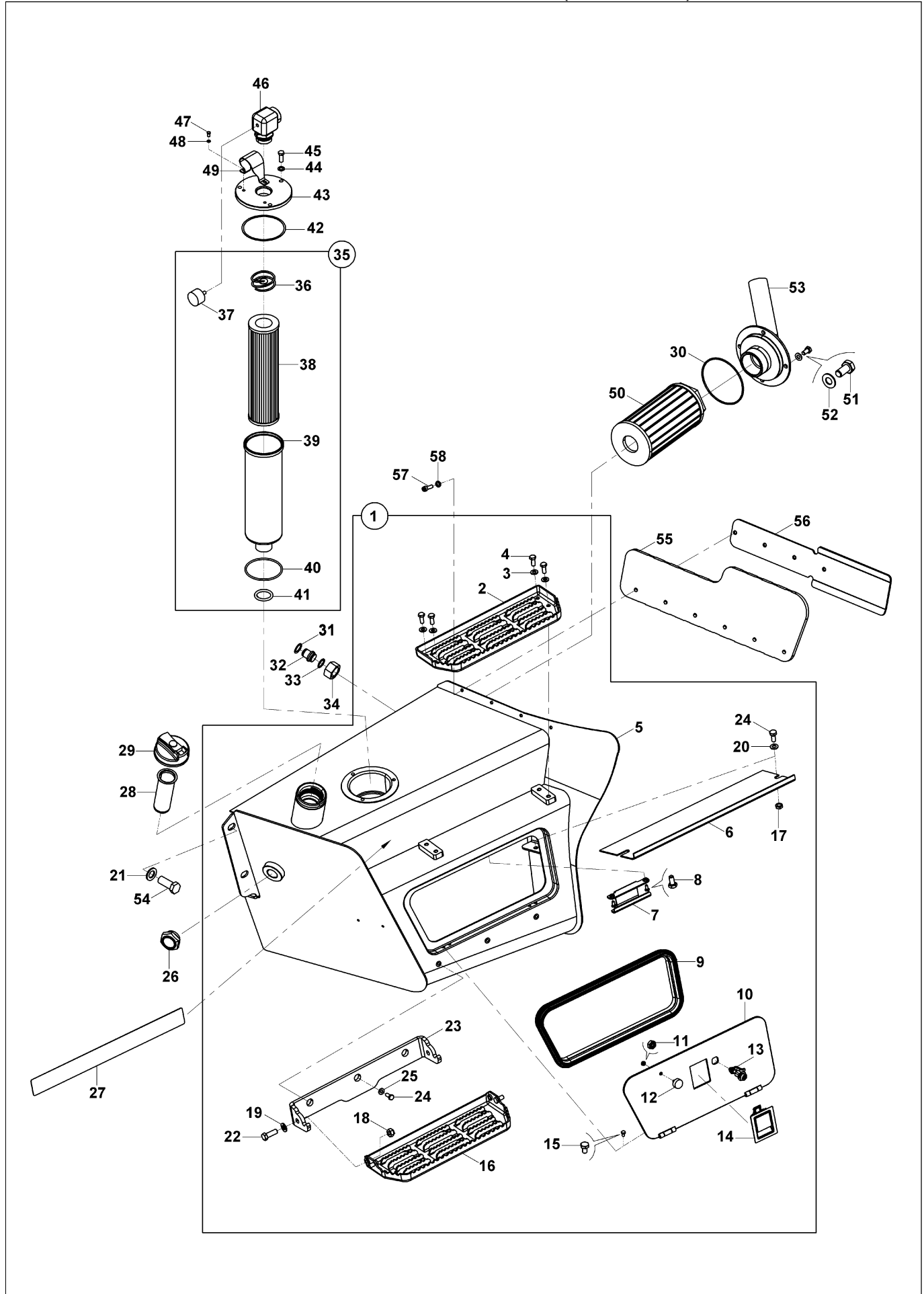
HİDROLİK TANK MONTAJI (VERSİYON 1)
 HYDRAULIC TANK MOUNTING (VERSION 1)



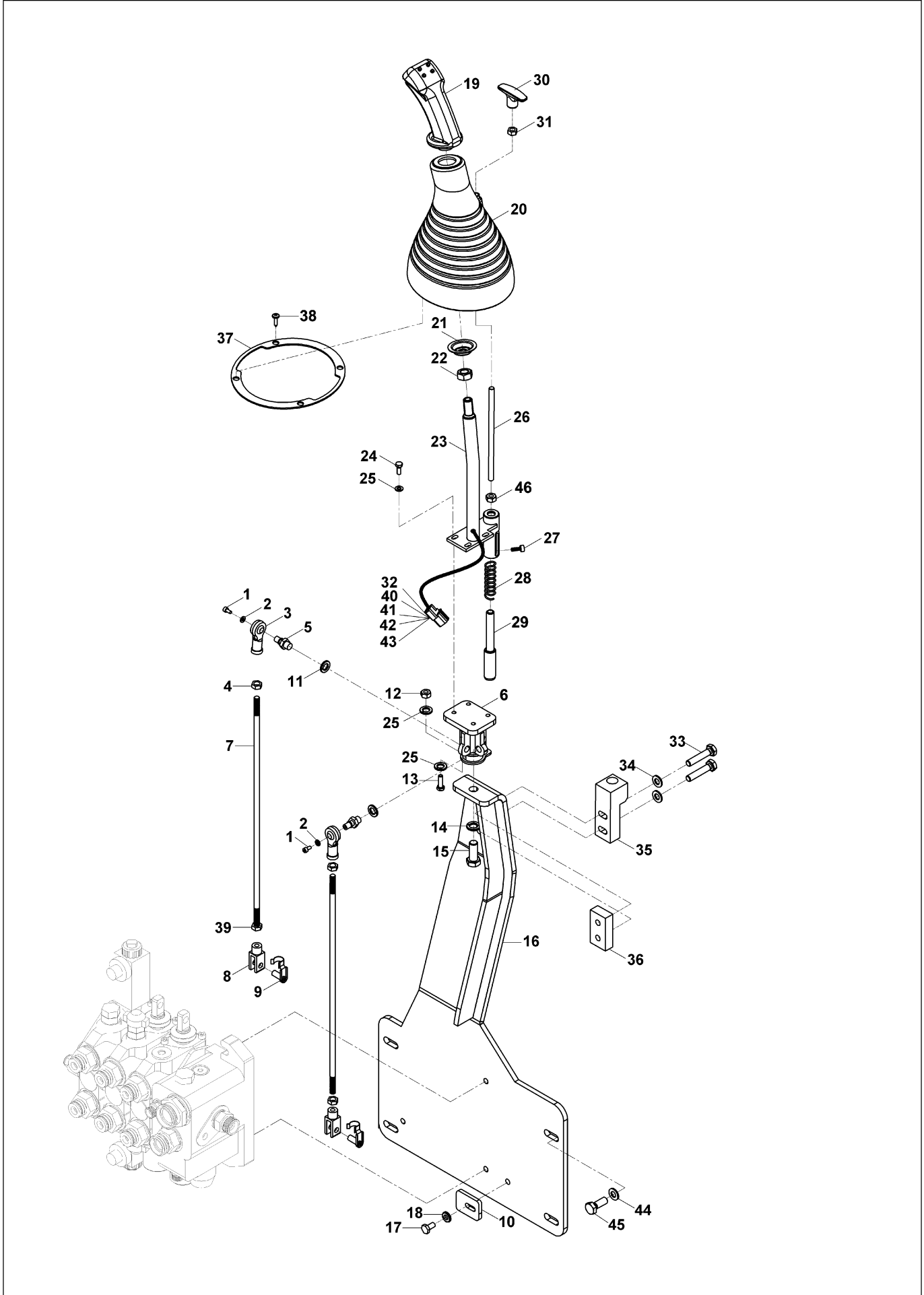
HİDROLİK TANK MONTAJI (VERSİYON 1)
HYDRAULIC TANK MOUNTING (VERSION 1)



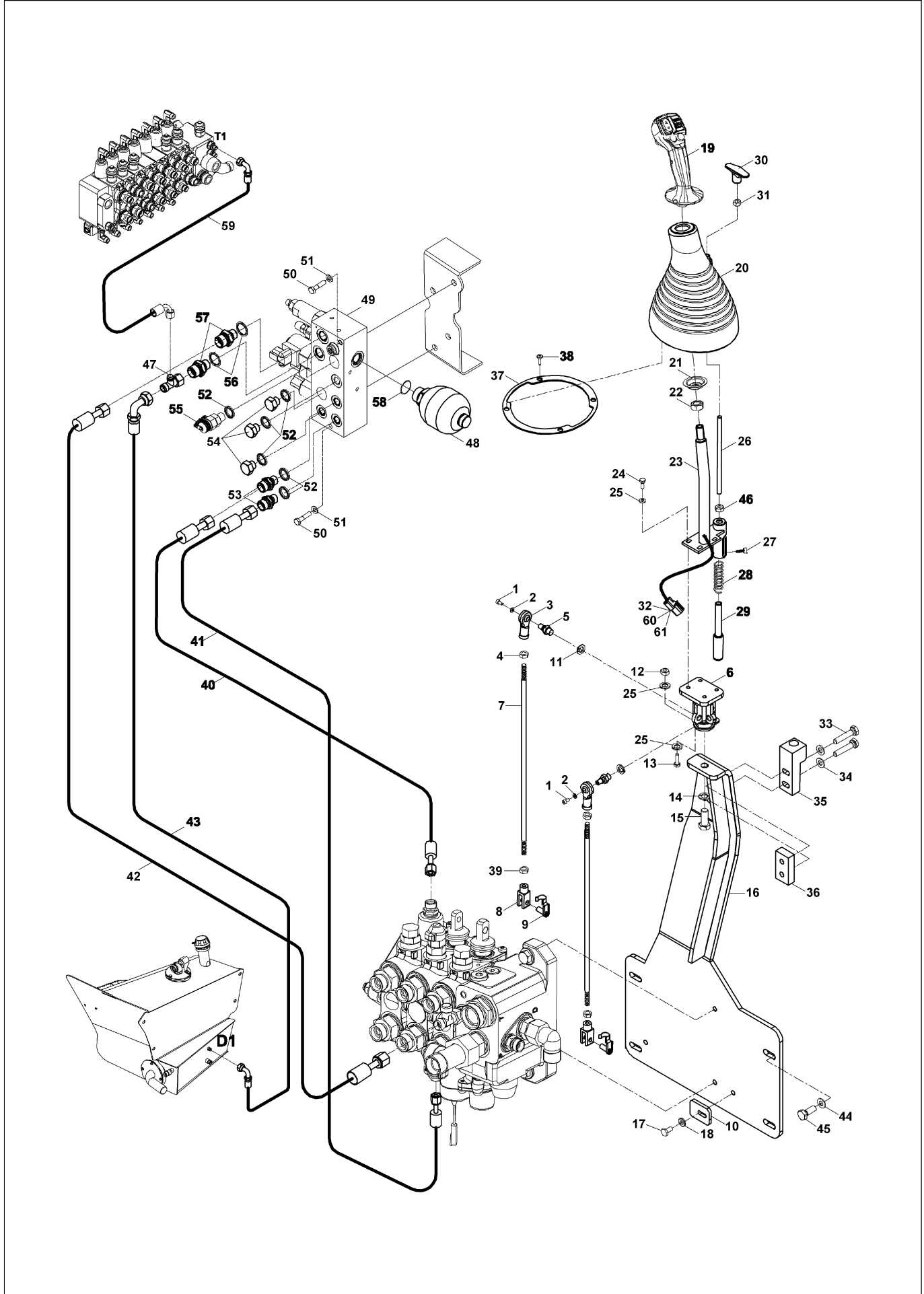
HİDROLİK TANK MONTAJI (VERSİYON 1)
HYDRAULIC TANK MOUNTING (VERSION 1)



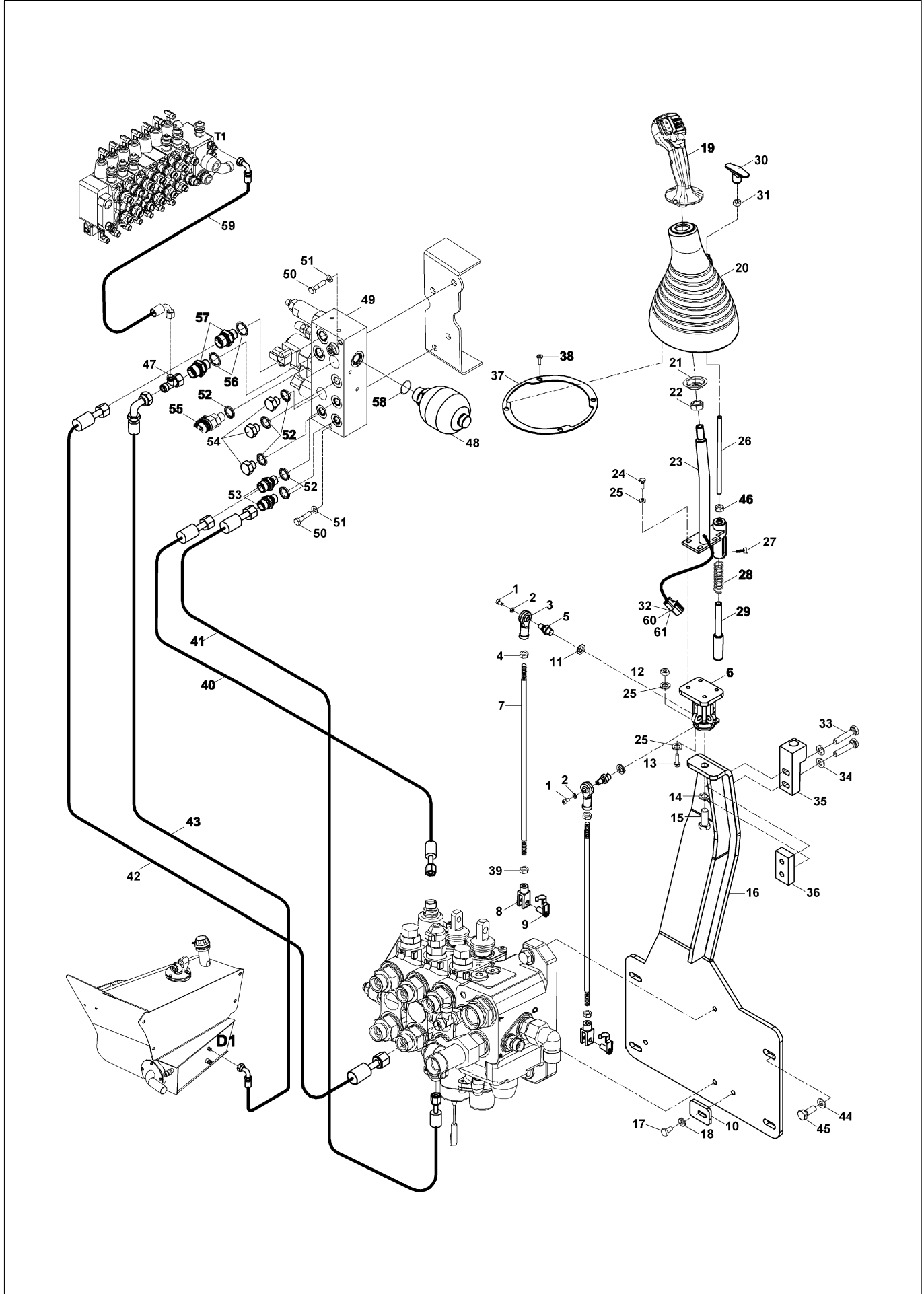
**YÜKLEYİCİ KUMANDA MEKANİZMASI (AÇILIR KEPÇE&LV KONTROLLÜ)(TİP B)(OP)
 LOADER CONTROL & MECHANISM (MULTIPURPOSE BUCKET&LEVERS)(TYPE B)(OP)**



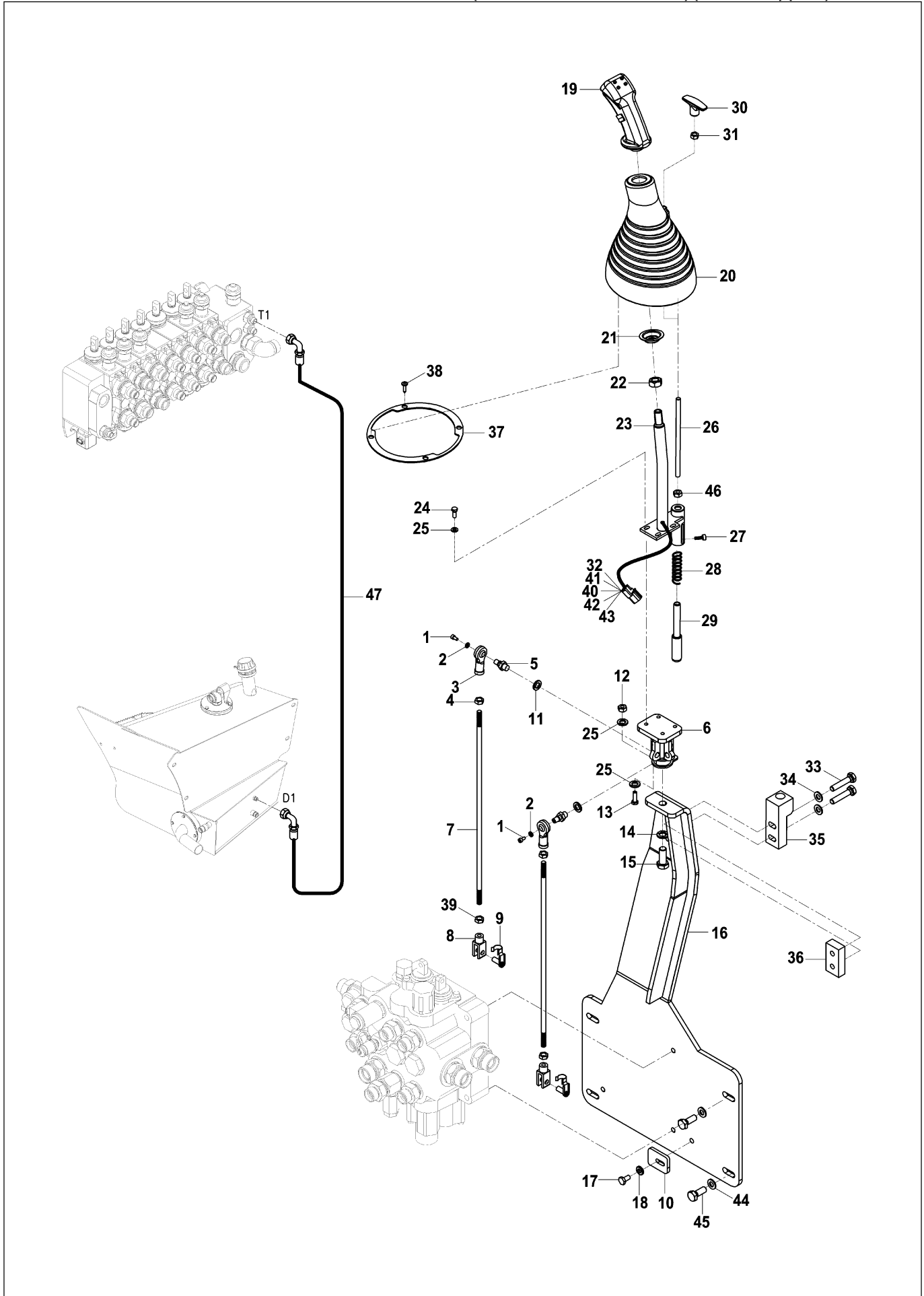
YÜKLEYİCİ KUMANDA MEKANİZMASI (AÇILIR KEPÇE & LV KONTROLLÜ)(TİP B)
 LOADER CONTROL MECHANISM (MULTIPURPOSE BUCKET & LEVERS)(TYPE B)



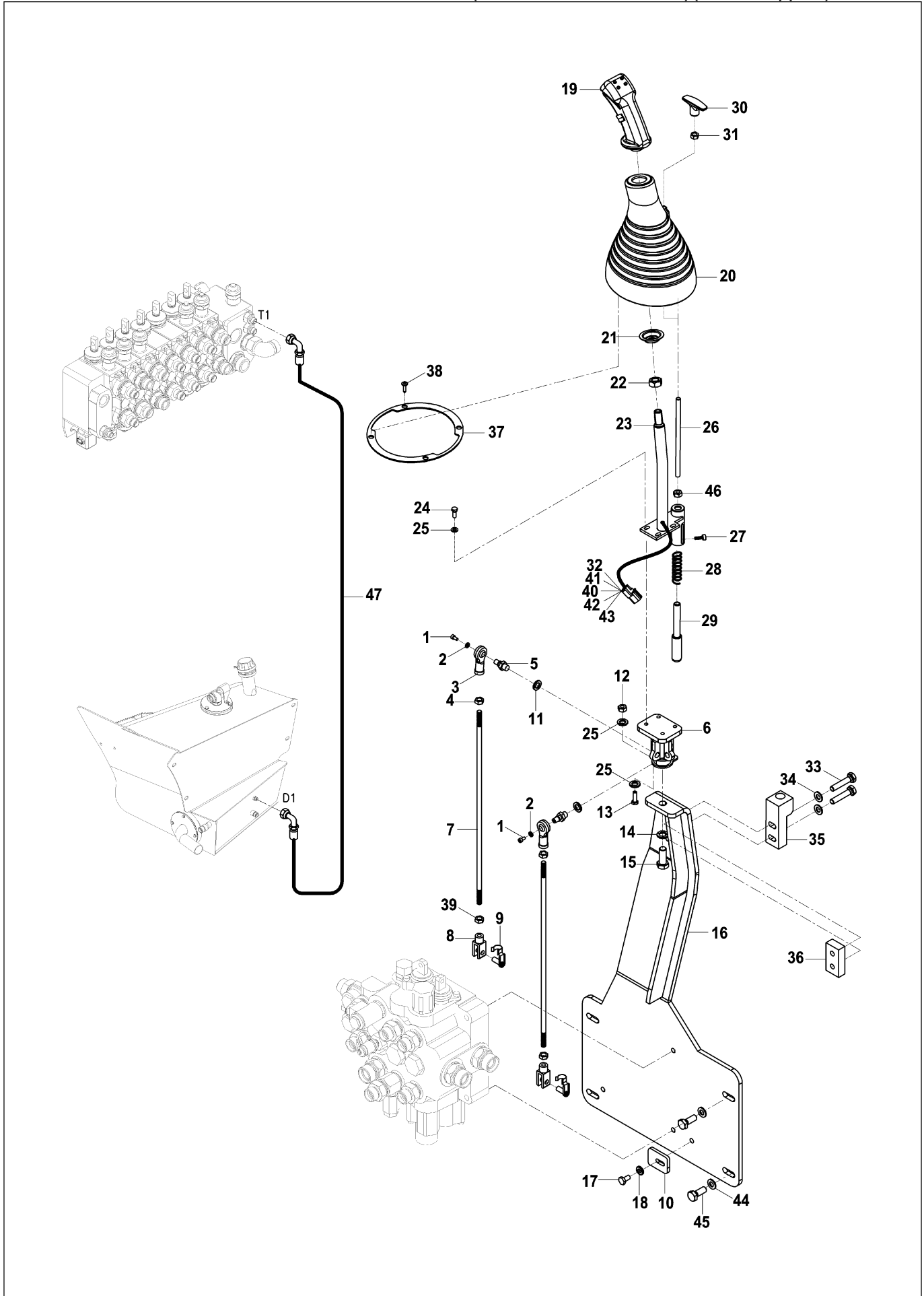
YÜKLEYİCİ KUMANDA MEKANİZMASI (AÇILIR KEPÇE & LV KONTROLLÜ)(TİP B)
LOADER CONTROL MECHANISM (MULTIPURPOSE BUCKET & LEVERS)(TYPE B)



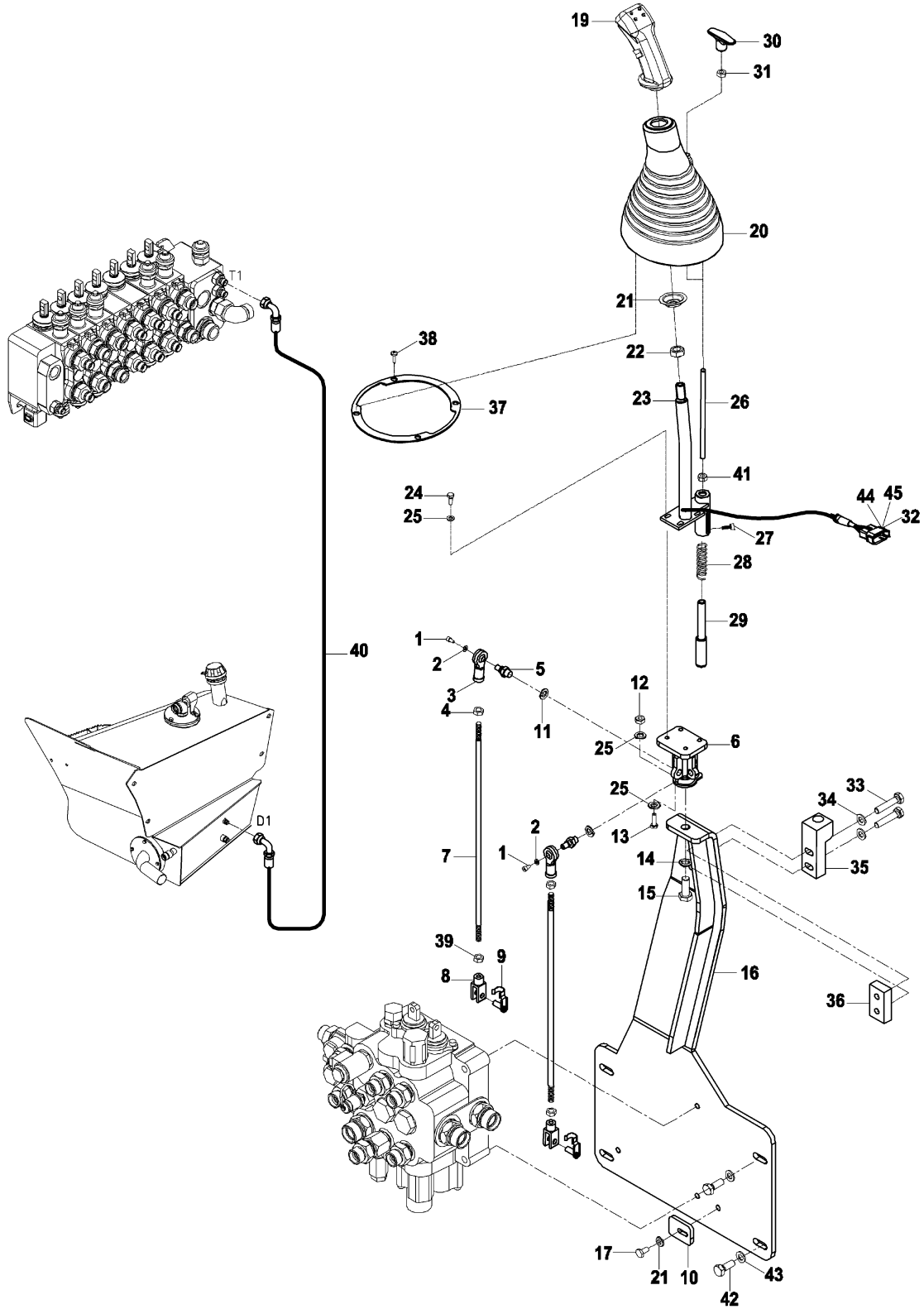
YÜKLEYİCİ KUMANDA MEKANİZMASI (SABİT KEPÇE & LV KONTR.)(TİP B)(OP)
LOADER CONTROL & MECHANISM (SHOVEL & LEVERS)(TYPE B)(OP)



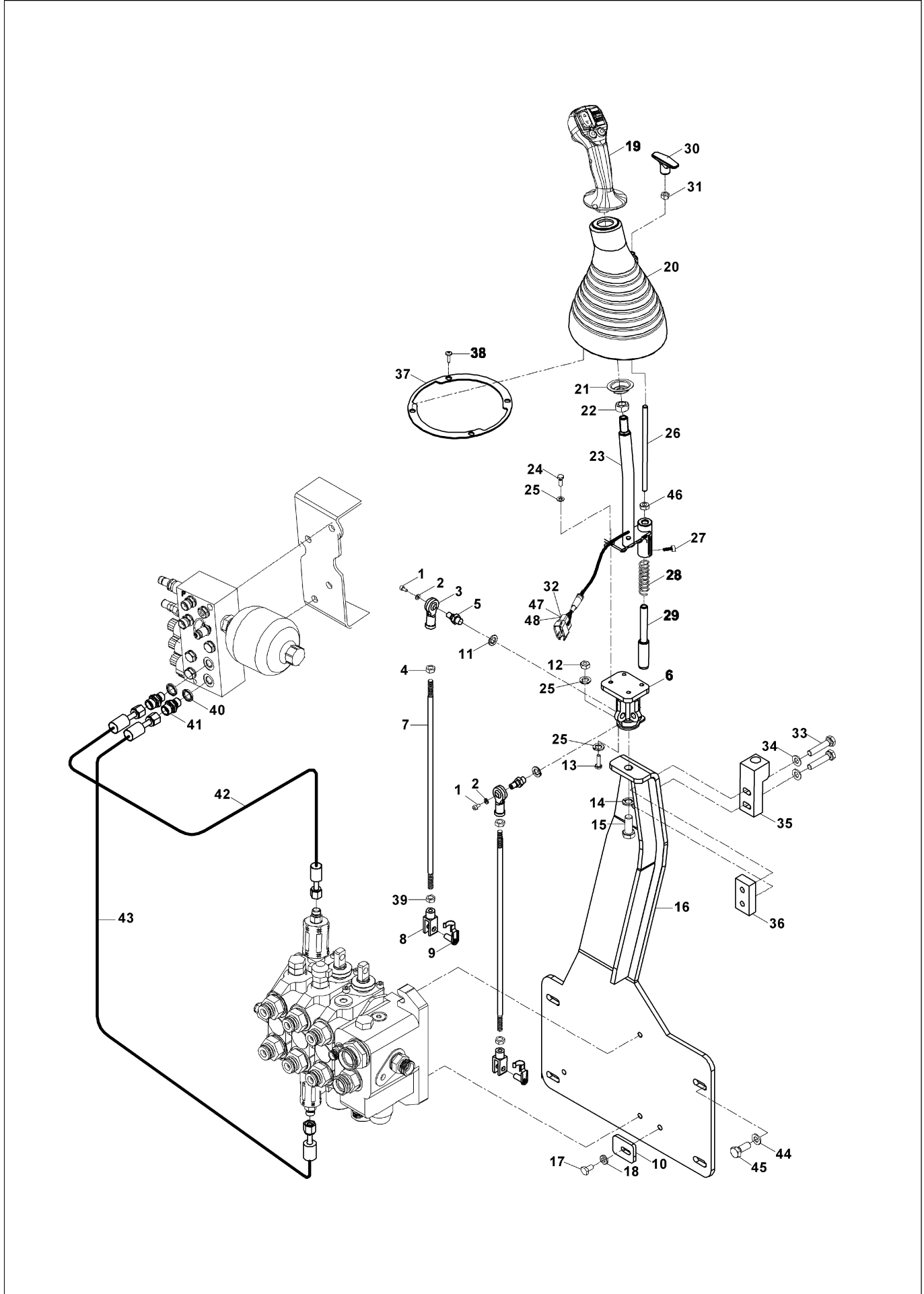
YÜKLEYİCİ KUMANDA MEKANİZMASI (SABİT KEPÇE & LV KONTR.)(TİP B)(OP)
LOADER CONTROL & MECHANISM (SHOVEL & LEVERS)(TYPE B)(OP)



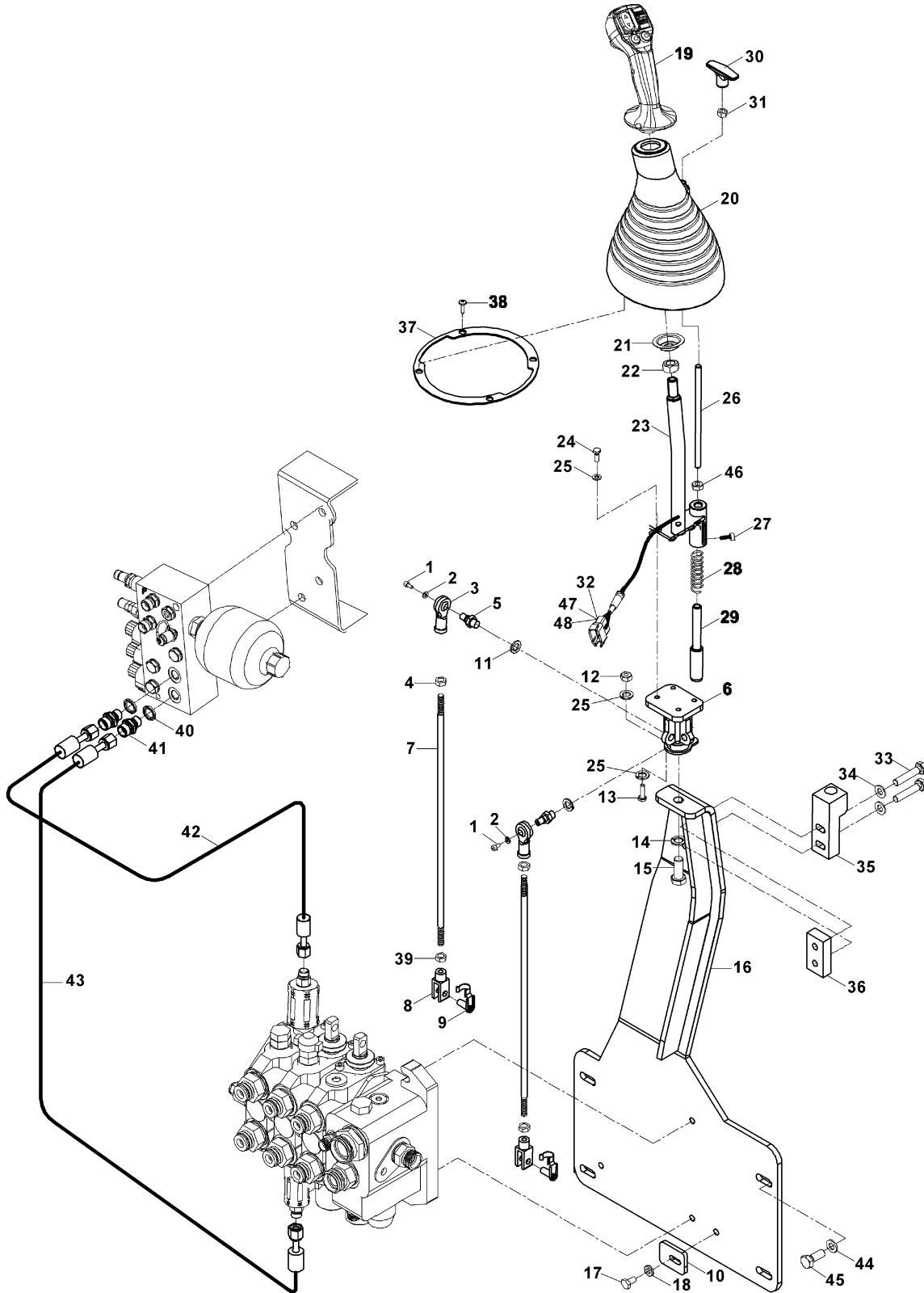
YÜKLEYİCİ KUMANDA MEKANİZMASI (SABİT KEPÇE & LEVYELİ) (TİP B)
BACKHOE CONTROL MECHANISM (SHOVEL & LEVERS) (TYPE B)



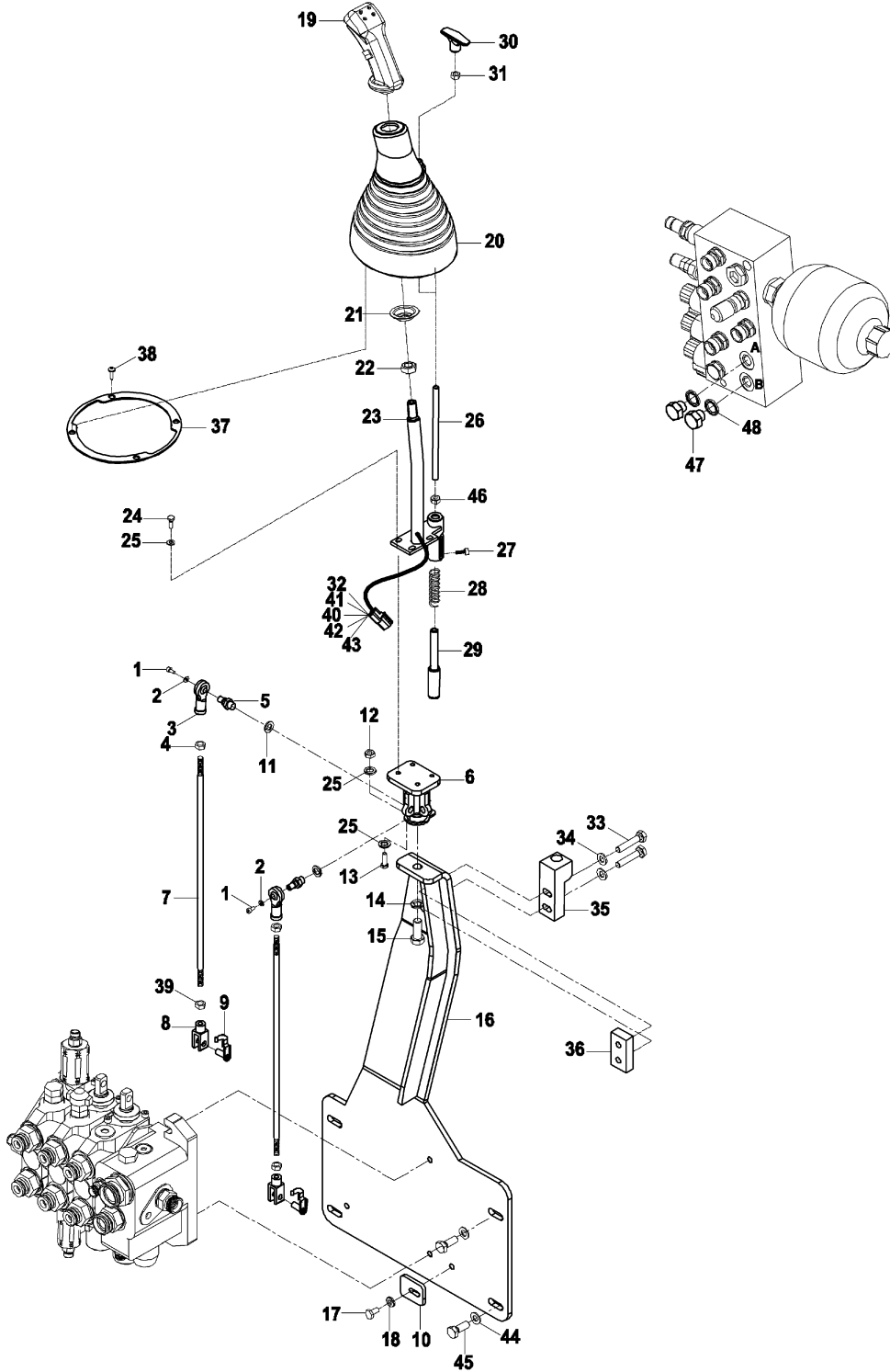
YÜKLEYİCİ KUMANDA MEKANİZMASI (AÇILIR KEPÇE & JY) (TİP B)
LOADER CONTROL MECHANISM (MULTIPURPOSE BUCKET & JOYSTICK) (TYPE B)



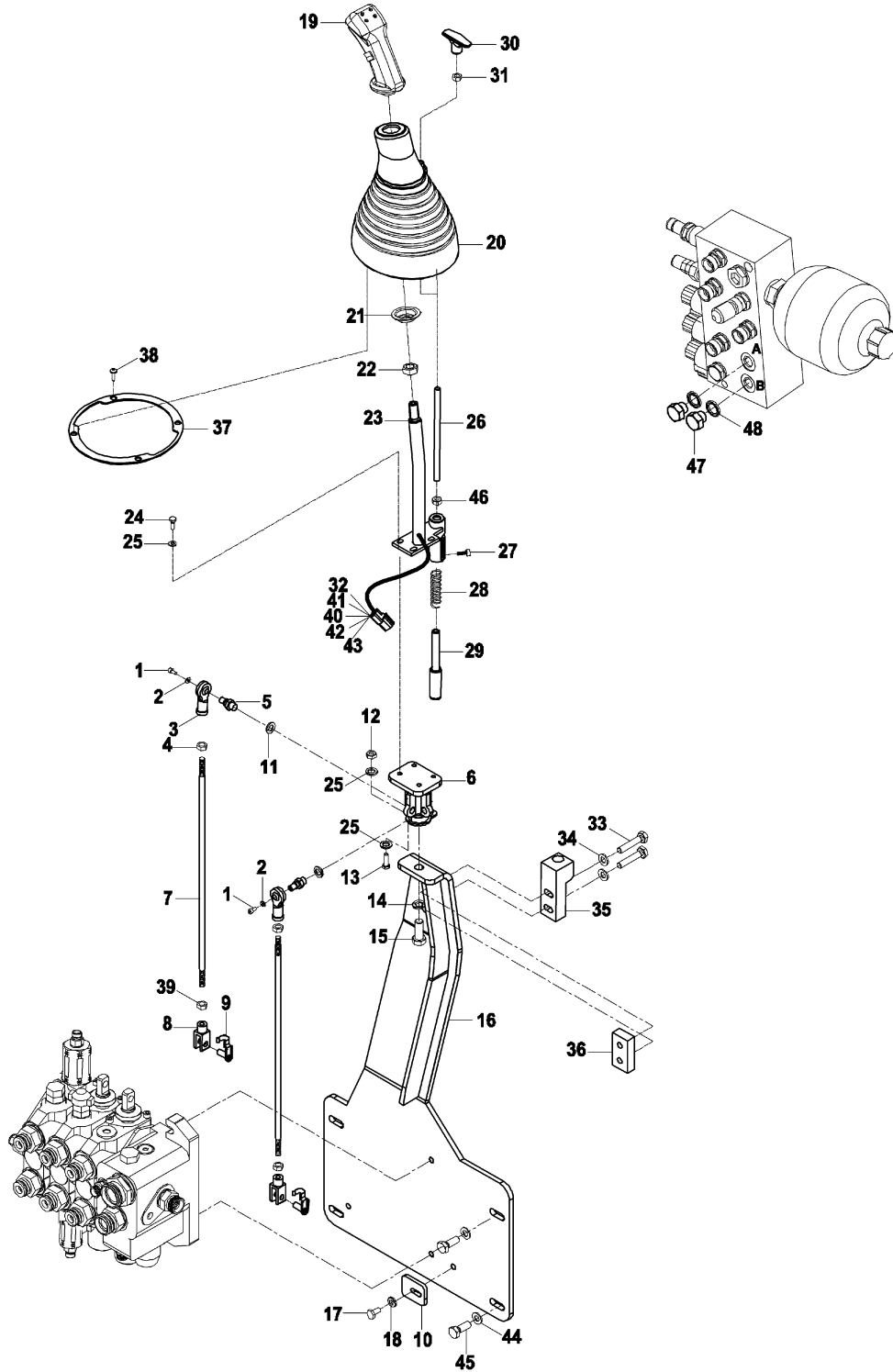
YÜKLEYİCİ KUMANDA MEKANİZMASI (AÇILIR KEPÇE & JY) (TİP B)
LOADER CONTROL MECHANISM (MULTIPURPOSE BUCKET & JOYSTICK) (TYPE B)



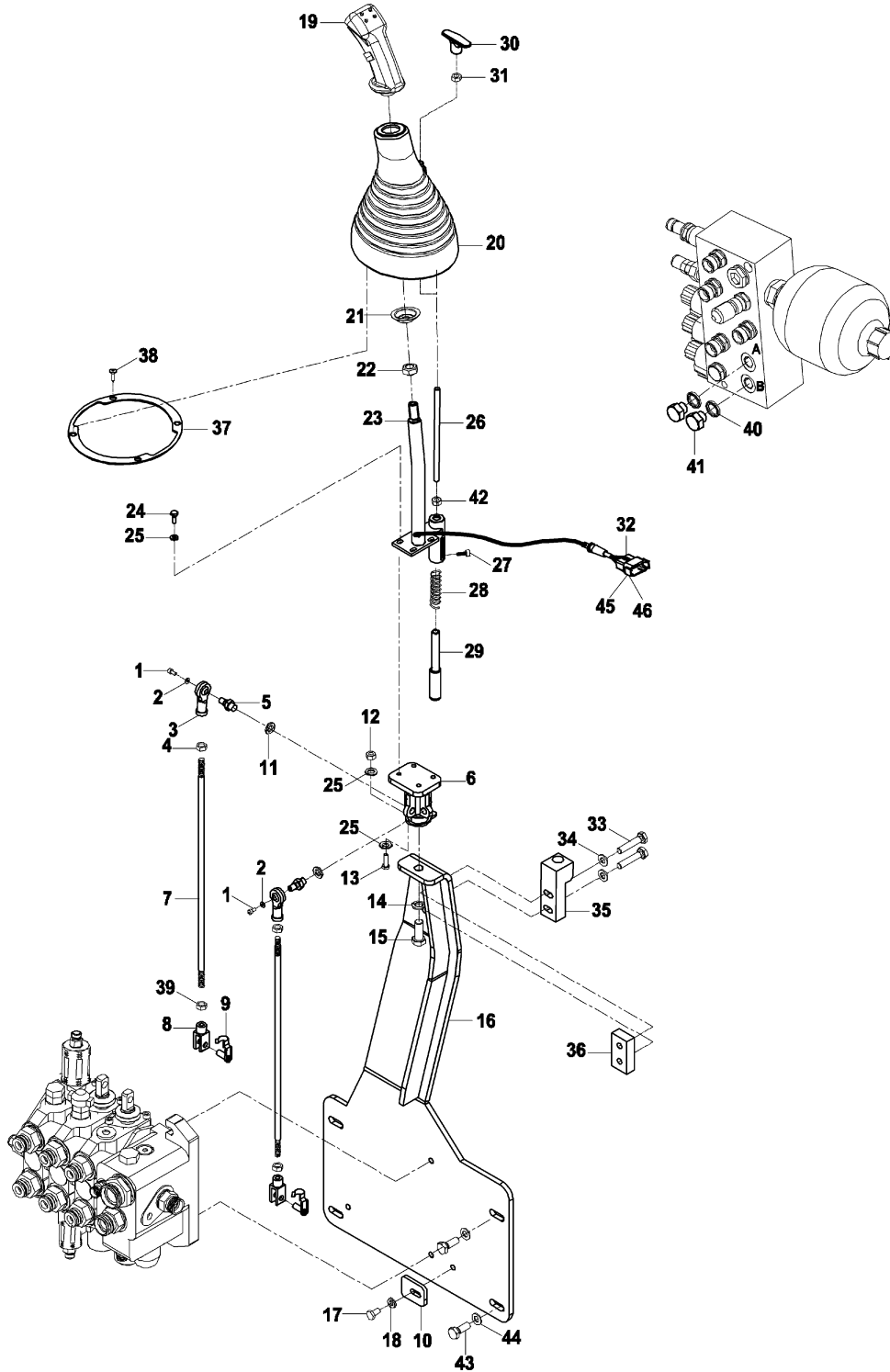
YÜKLEYİCİ KUMANDA MEKANİZMASI (SABİT KEPÇE & JY)(TİP B)(OP)
BACKHOE CONTROL MECHANISM (SHOVEL & JOYSTICK) (TYPE B) (OP)



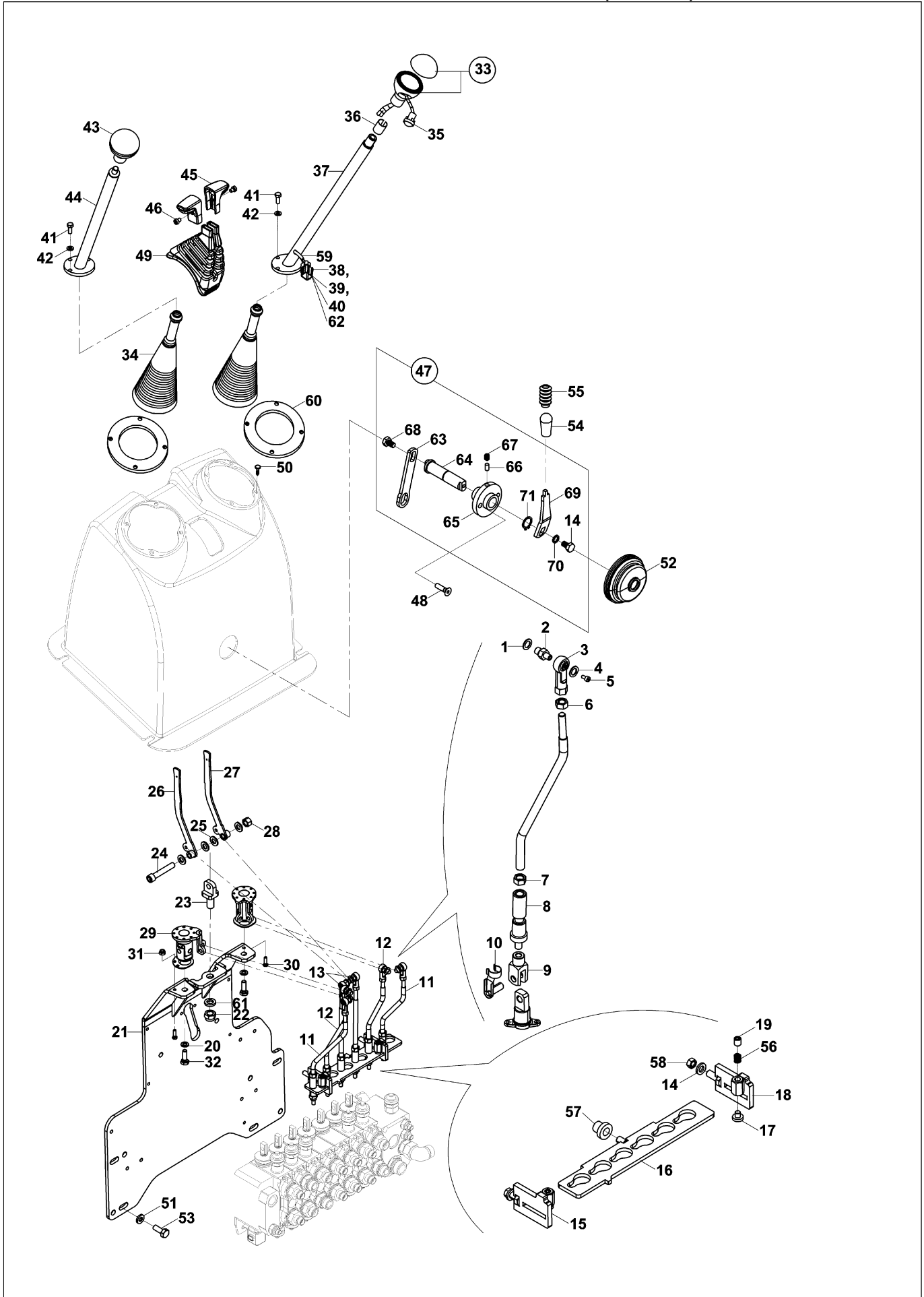
YÜKLEYİCİ KUMANDA MEKANİZMASI (SABİT KEPÇE & JY)(TİP B)(OP)
BACKHOE CONTROL MECHANISM (SHOVEL & JOYSTICK) (TYPE B) (OP)



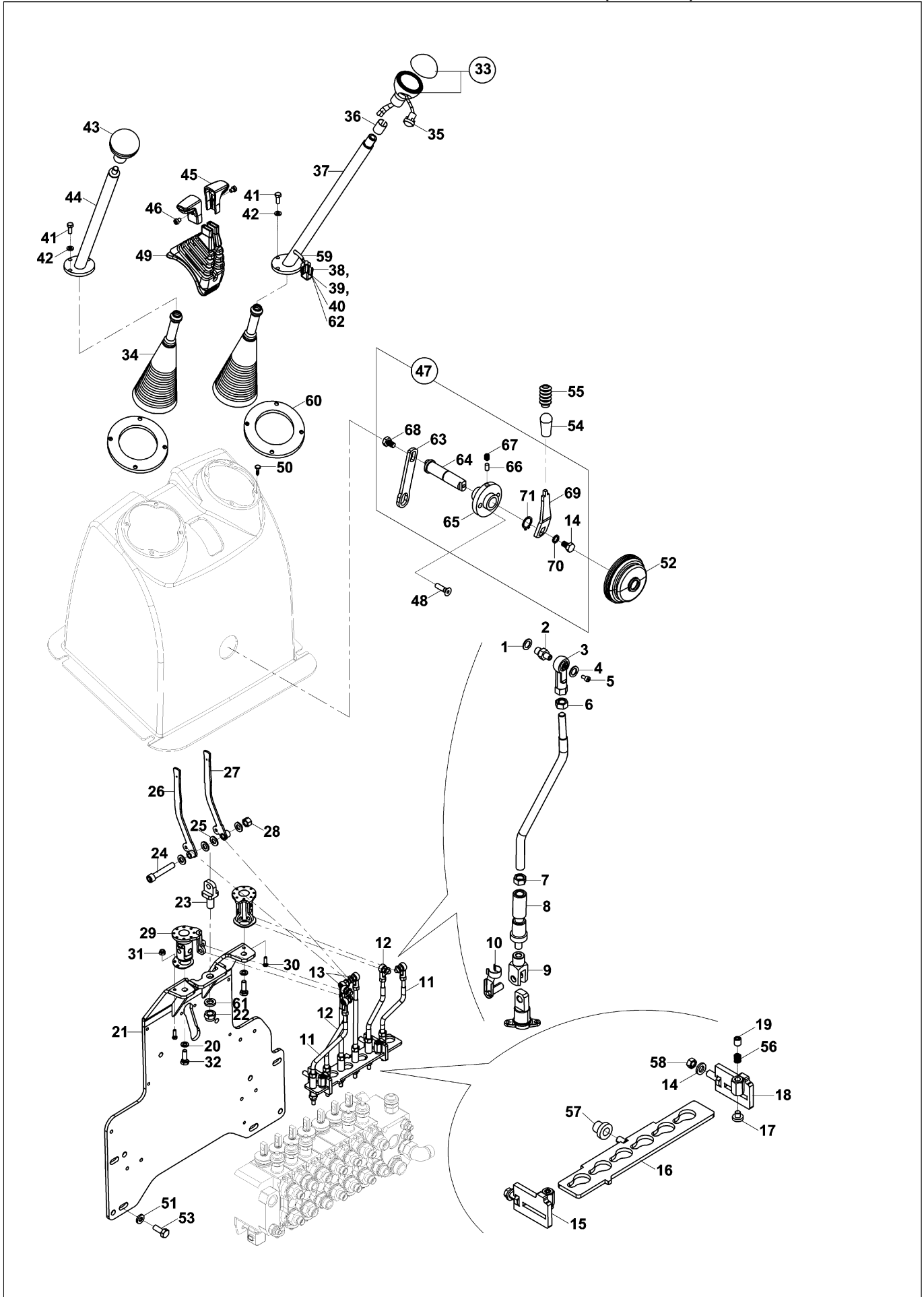
YÜKLEYİCİ KUMANDA MEKANİZMASI (SABİT KEPÇE & JY & TİP B) BACKHOE CONTROL MECHANISM (SHOVEL & JOYSTICK & TYPE B)



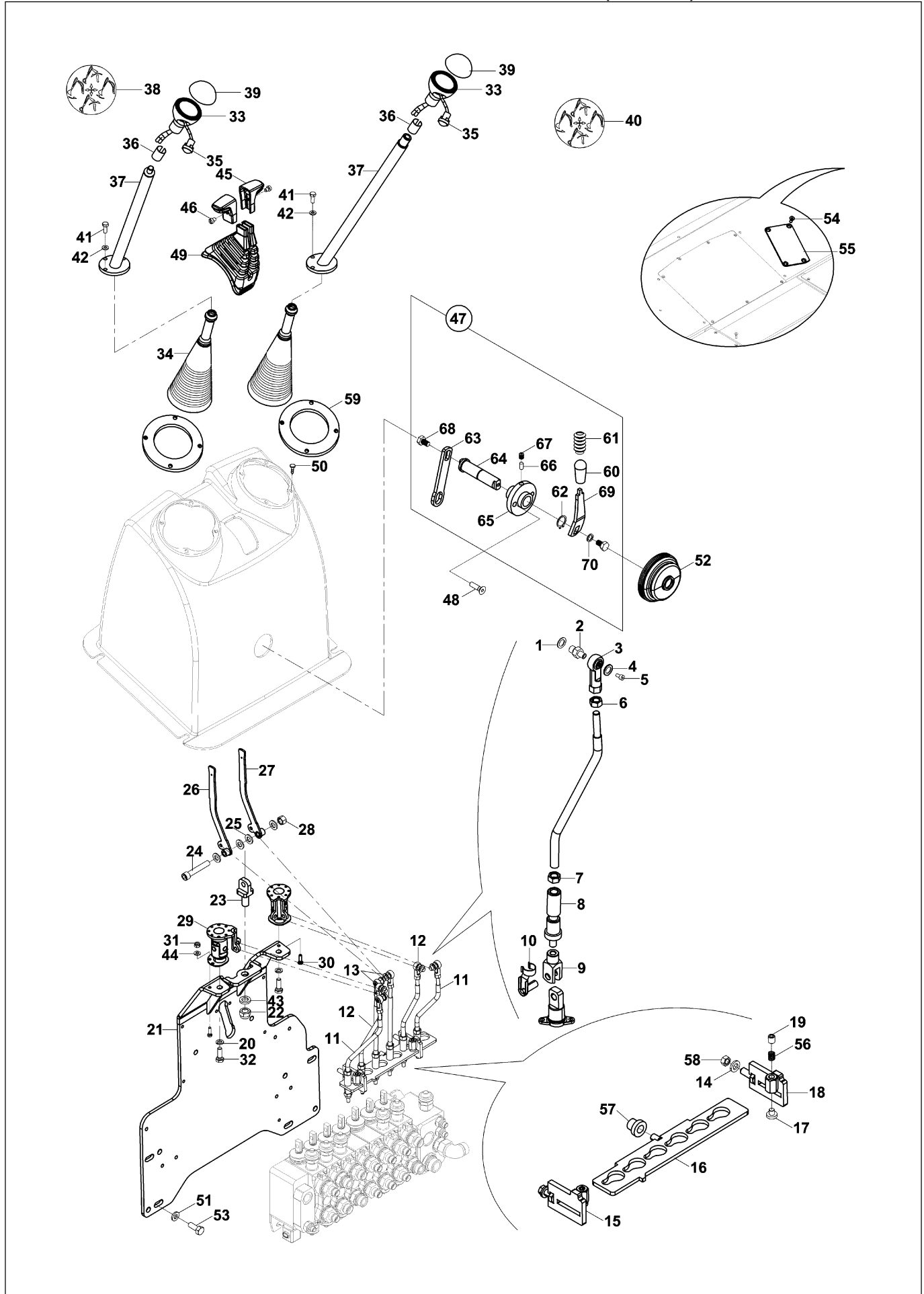
KAZICI KUMANDA MEKANİZMASI (TİP B)
BACKHOE CONTROL MECHANISM (TYPE B)



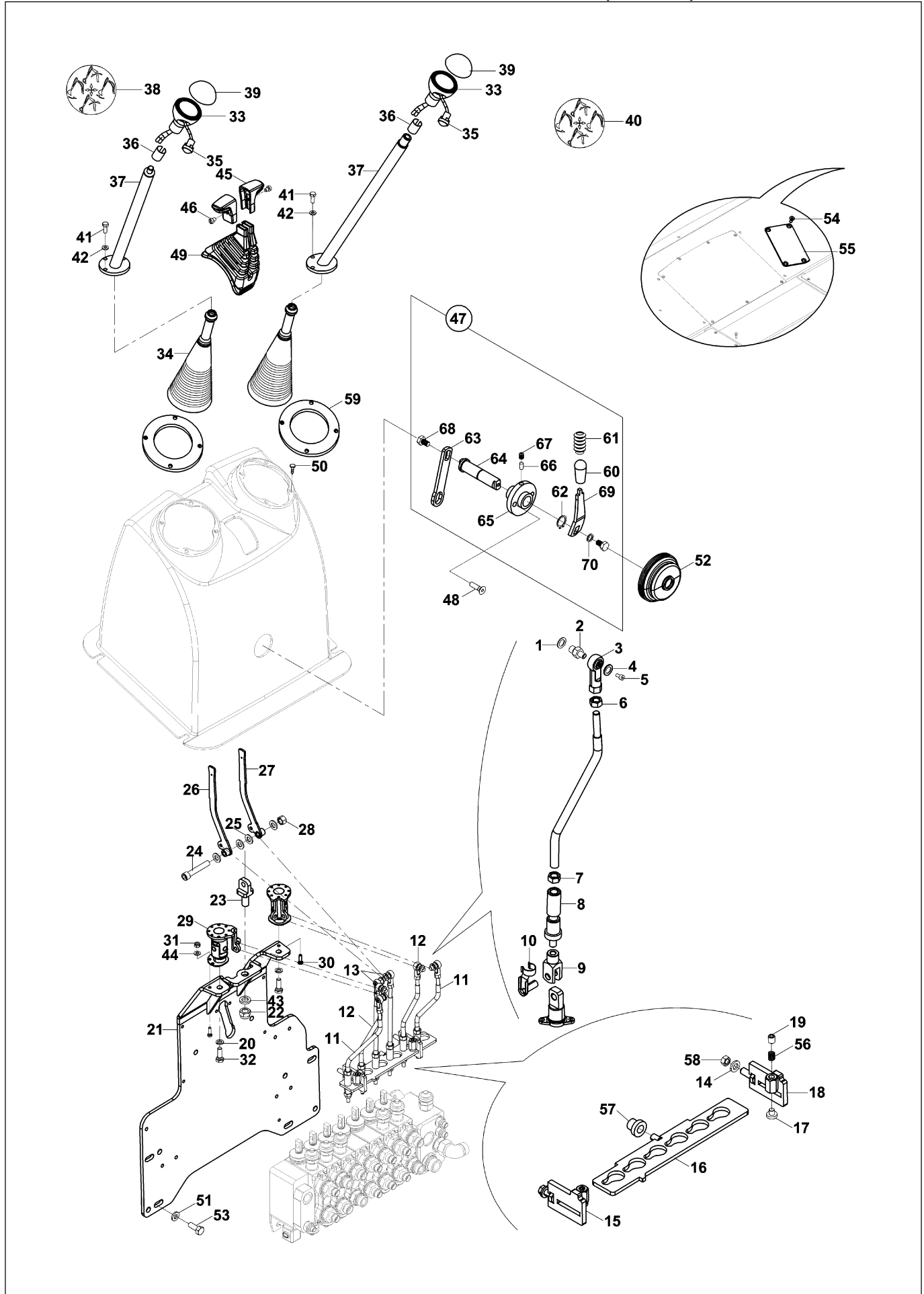
KAZICI KUMANDA MEKANİZMASI (TİP B)
BACKHOE CONTROL MECHANISM (TYPE B)



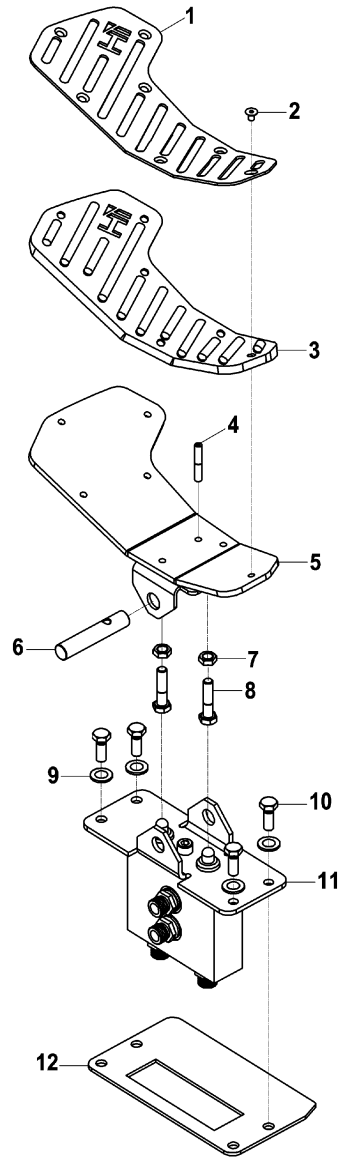
KAZICI KUMANDA MEKANİZMASI (TİP B)
BACKHOE CONTROL MECHANISM (TYPE B)



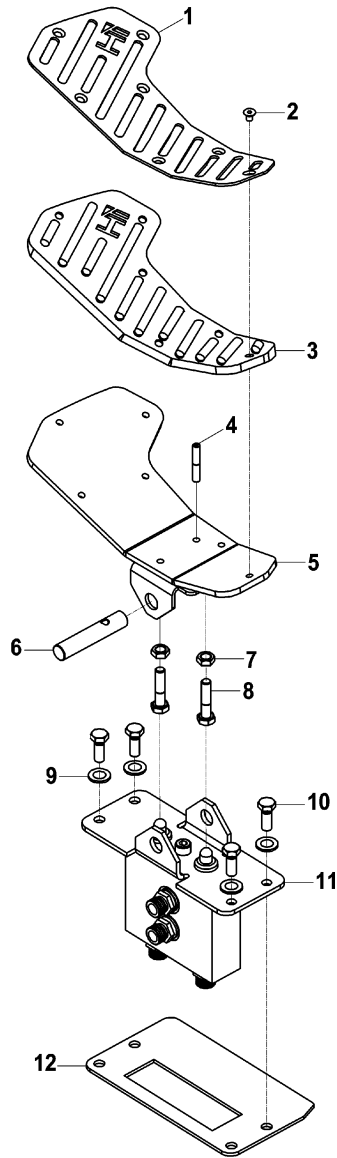
KAZICI KUMANDA MEKANİZMASI (TİP B)
BACKHOE CONTROL MECHANISM (TYPE B)



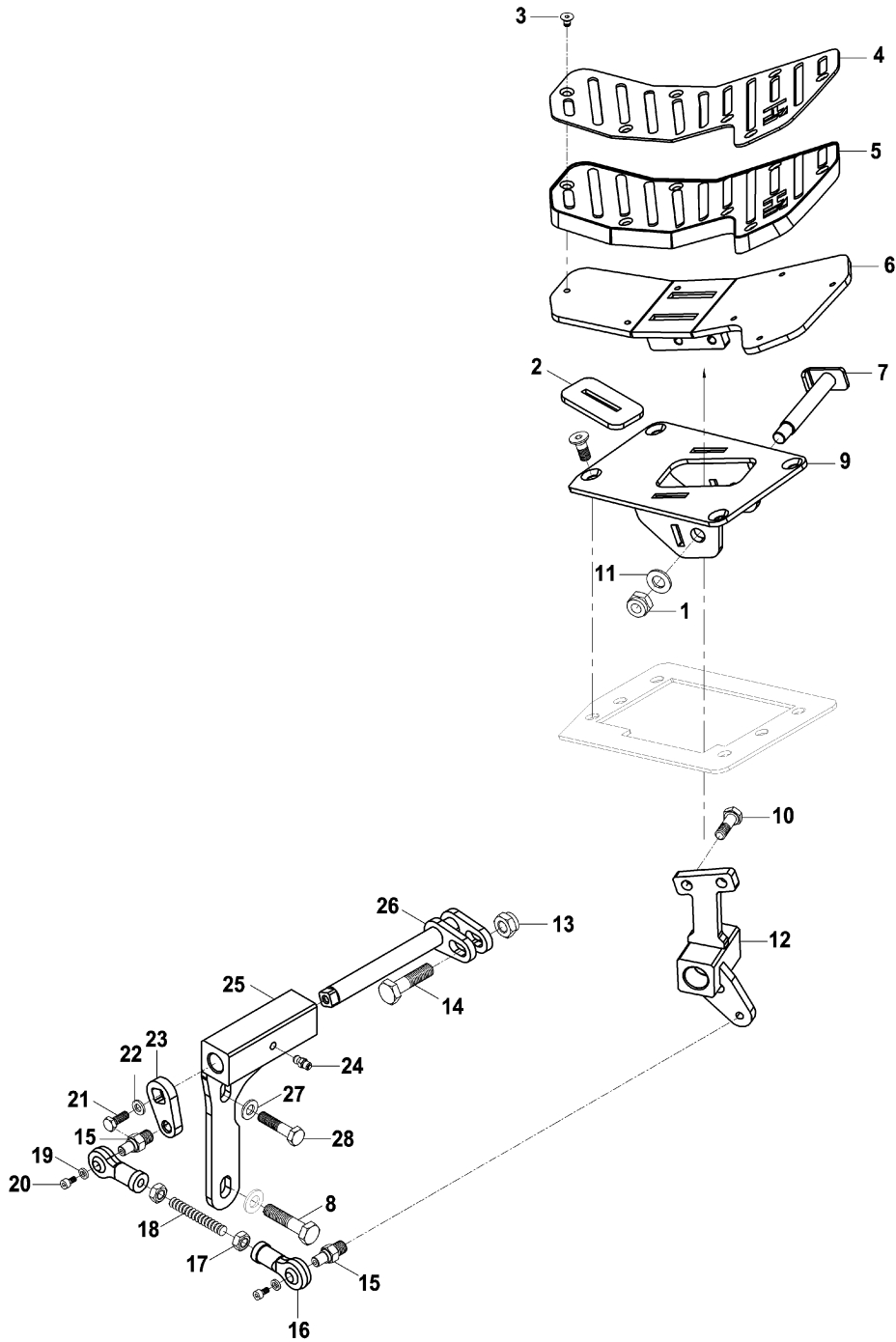
PEDAL MONTAJI, İLAVE ATAŞMAN (TİP B+TB+JY) (OP)
ADDITIONAL ATTACHMENT PEDAL MOUNTING (TYPE B+TB+JY) (OP)



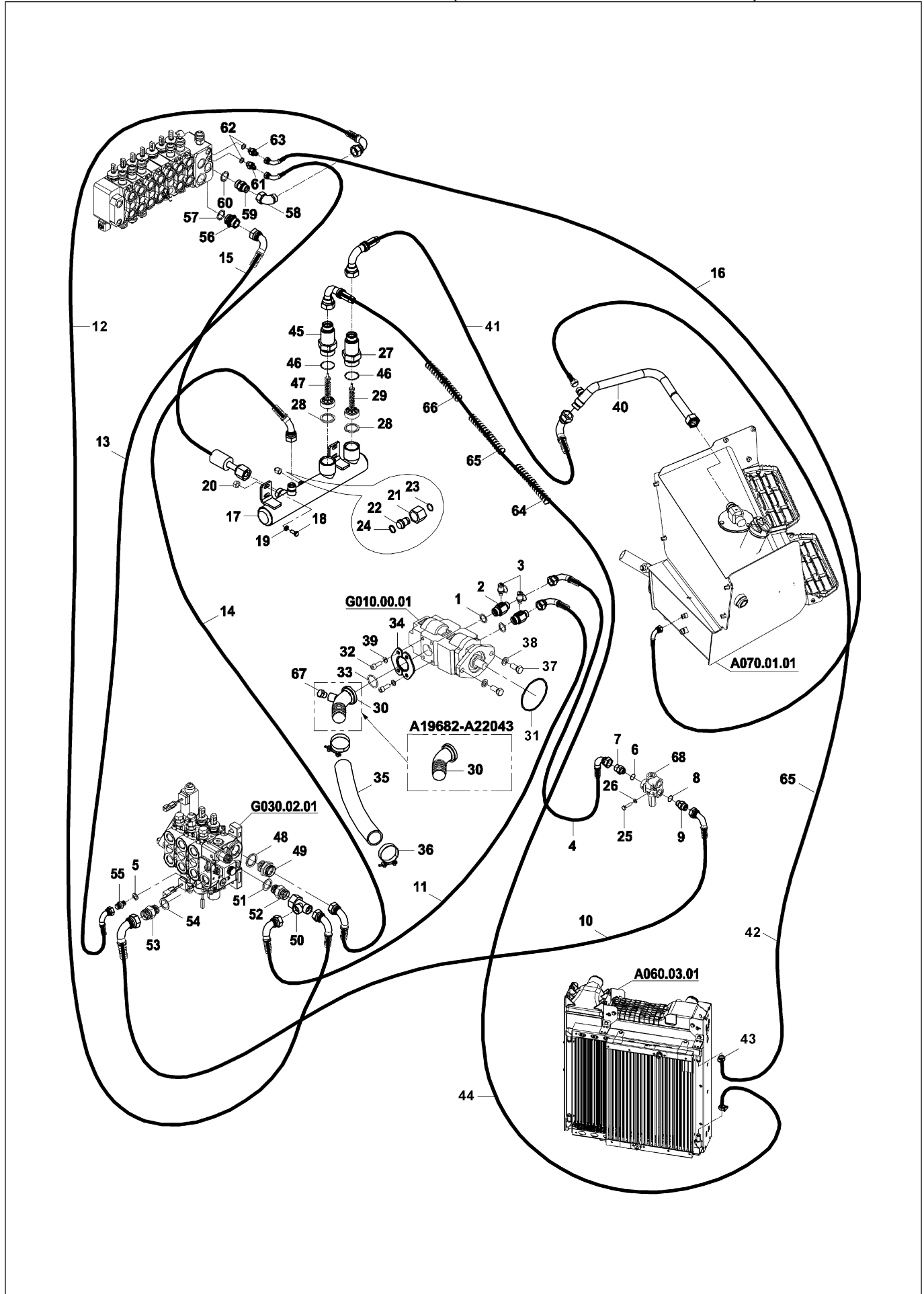
PEDAL MONTAJI, İLAVE ATAŞMAN (TİP B+TB+LV) (OP)
ADDITIONAL ATTACHMENT PEDAL MOUNTING (TYPE B+TB+LV) (OP)



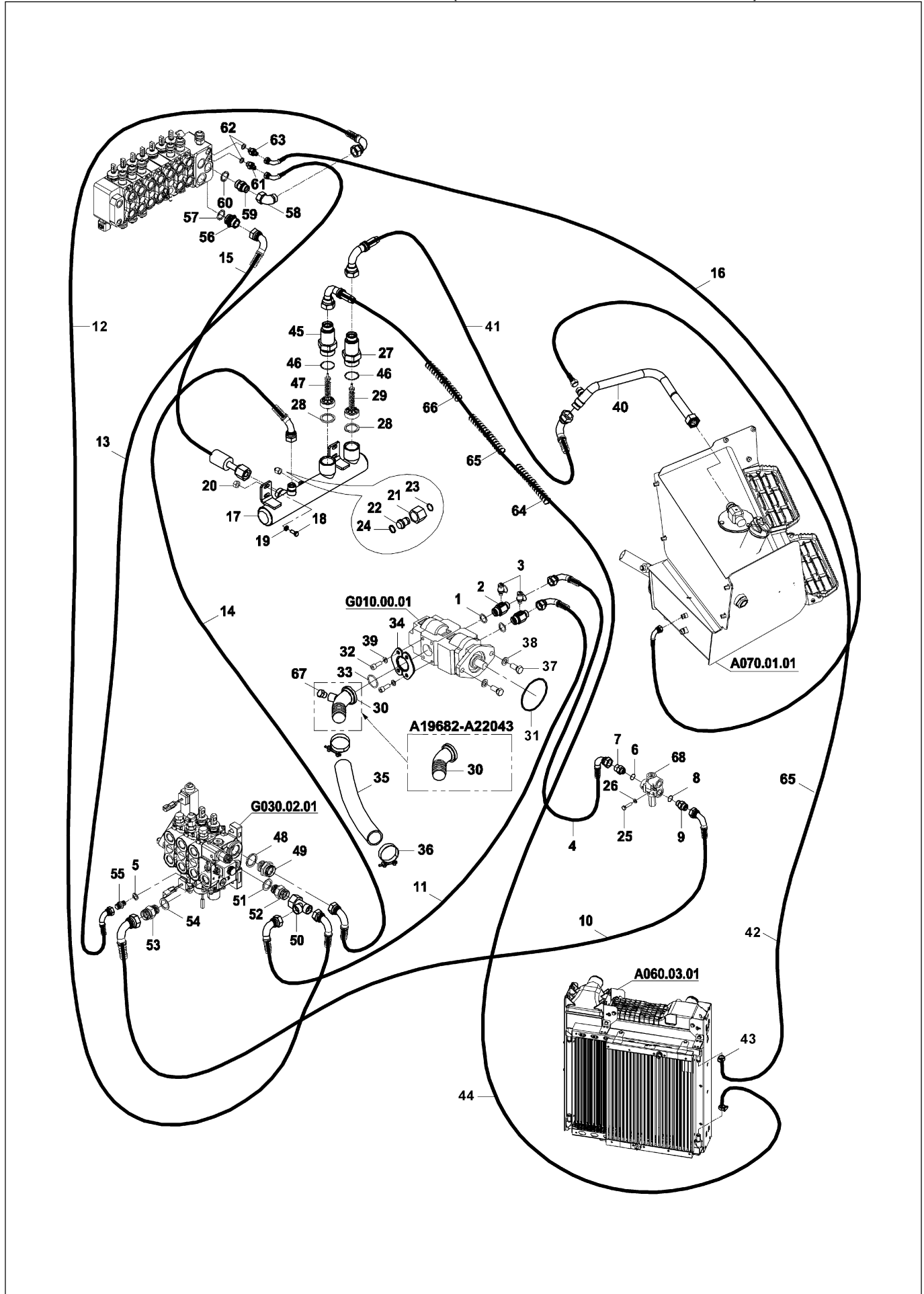
PEDAL MONTAJI, İLAVE ATAŞMAN (TİP B+NB+LV)
PEDAL MOUNTING, ADDITIONAL ATTACHMENT (TYPE B+NB+LV)



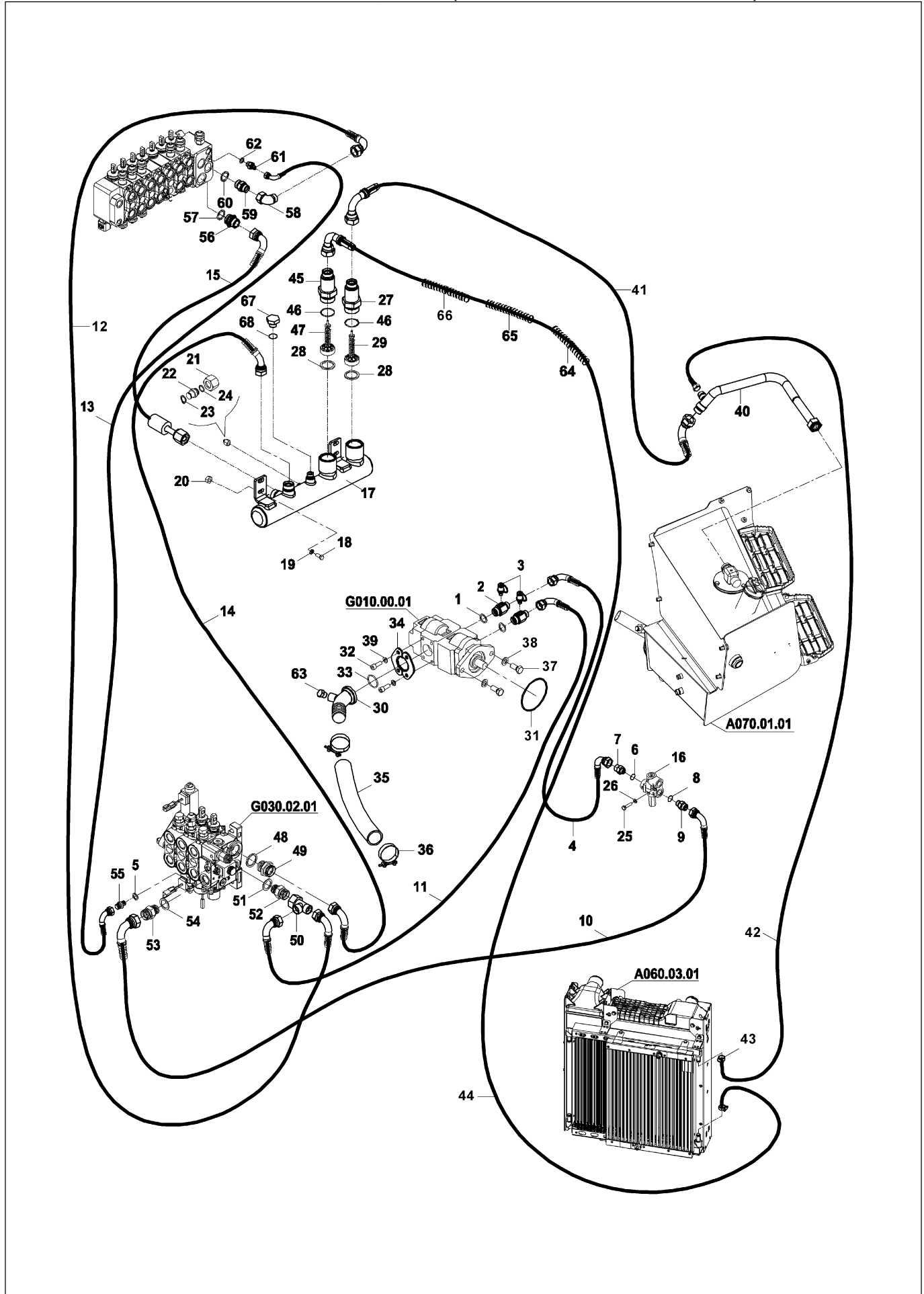
HİDROLİK TESİSAT, ANA DAĞITIM (DİŞLİ POMPA & ZF & TİP B)
HYDRAULIC PIPING, MAIN (GEAR PUMP & ZF & TYPE B)



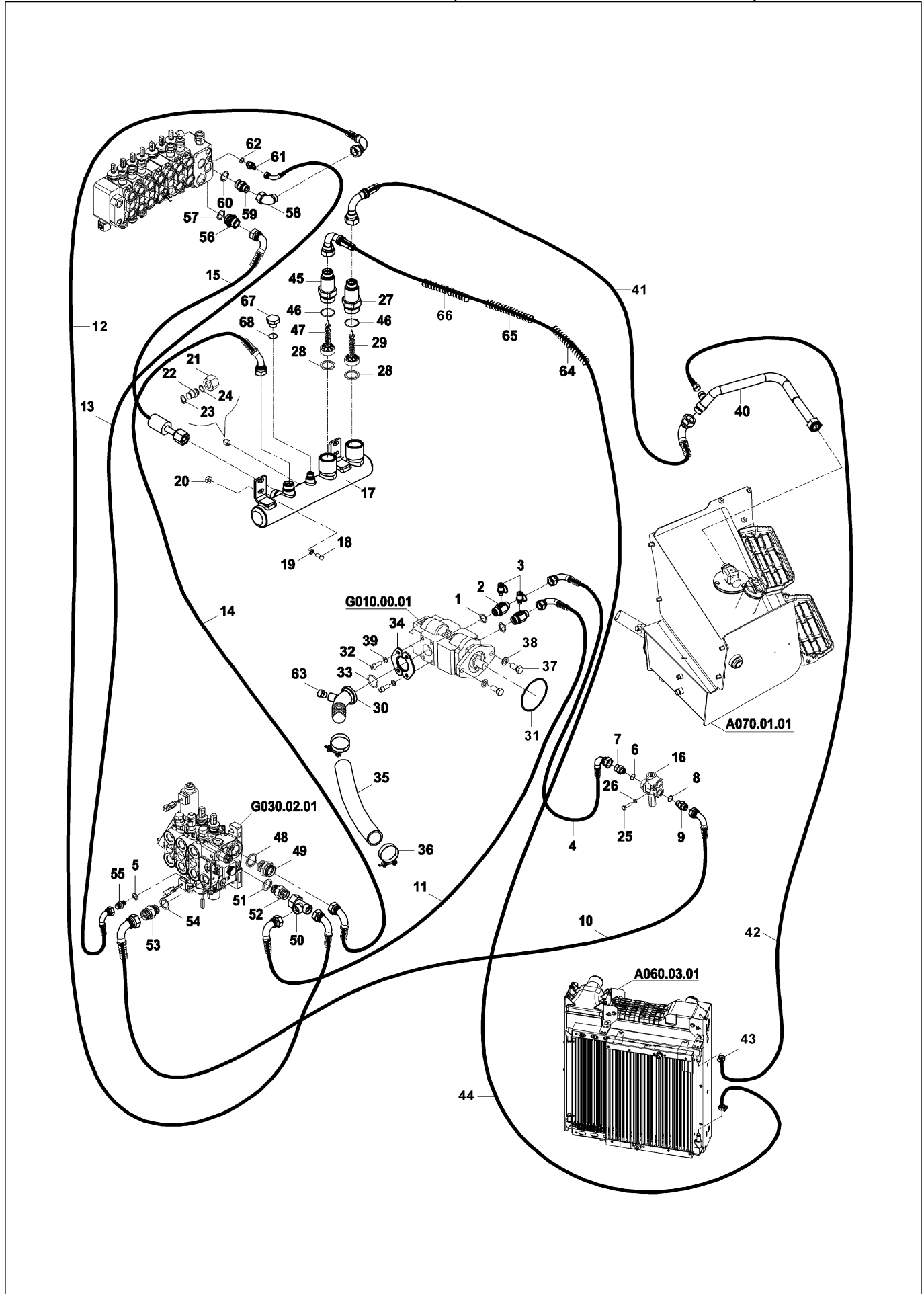
HİDROLİK TESİSAT, ANA DAĞITIM (DİŞLİ POMPA & ZF & TİP B)
HYDRAULIC PIPING, MAIN (GEAR PUMP & ZF & TYPE B)



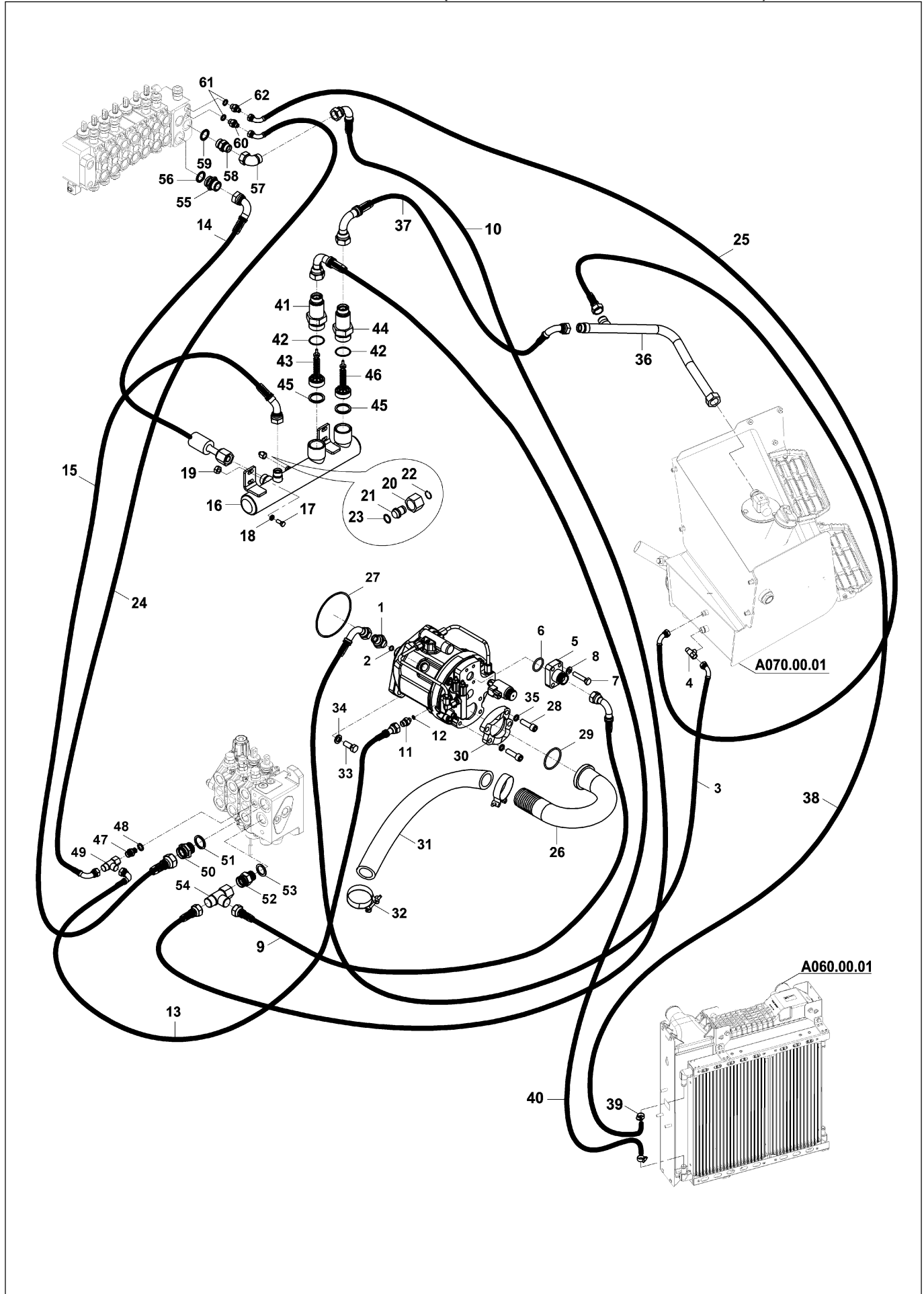
HİDROLİK TESİSAT, ANA DAĞITIM (DİŞLİ POMPA & ZF & TİP B)
HYDRAULIC PIPING, MAIN (GEAR PUMP & ZF & TYPE B)



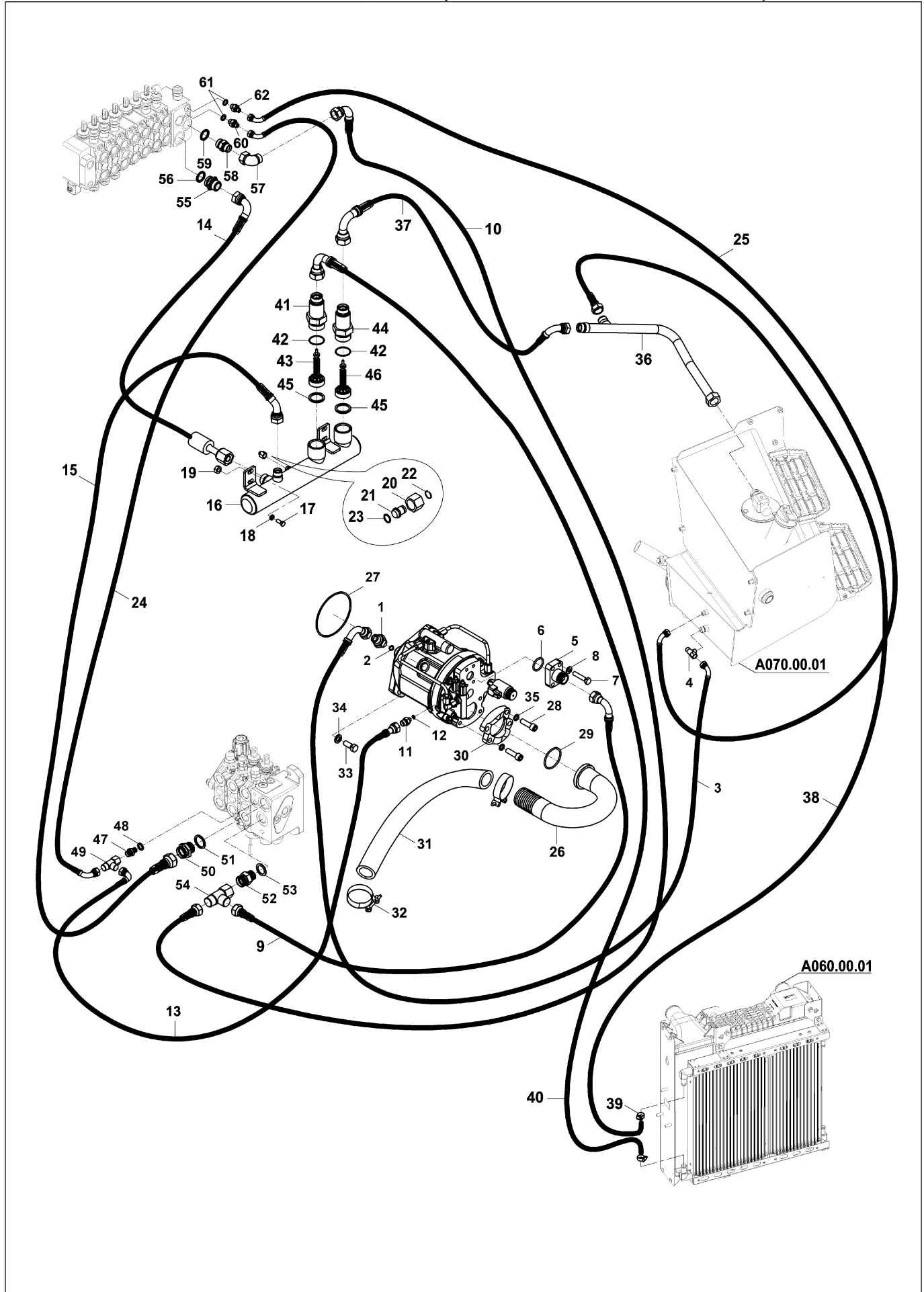
HİDROLİK TESİSAT, ANA DAĞITIM (DİŞLİ POMPA & ZF & TİP B)
HYDRAULIC PIPING, MAIN (GEAR PUMP & ZF & TYPE B)



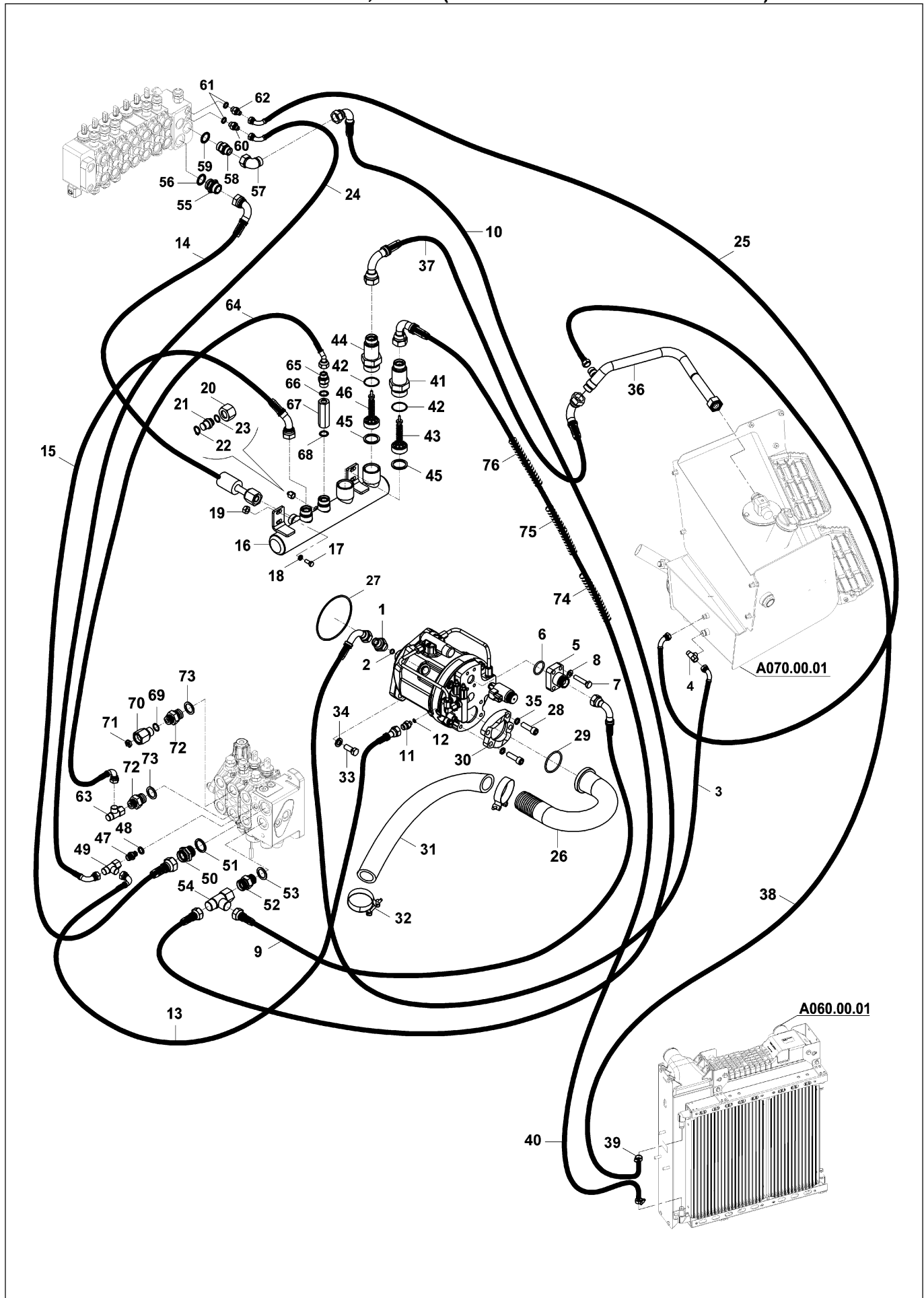
HİDROLİK TESİSAT, ANA DAĞITIM (PİSTONLU POMPA & ZF & TİP B)
HYDRAULIC PIPING, MAIN (PISTON PUMP & ZF & TYPE B)



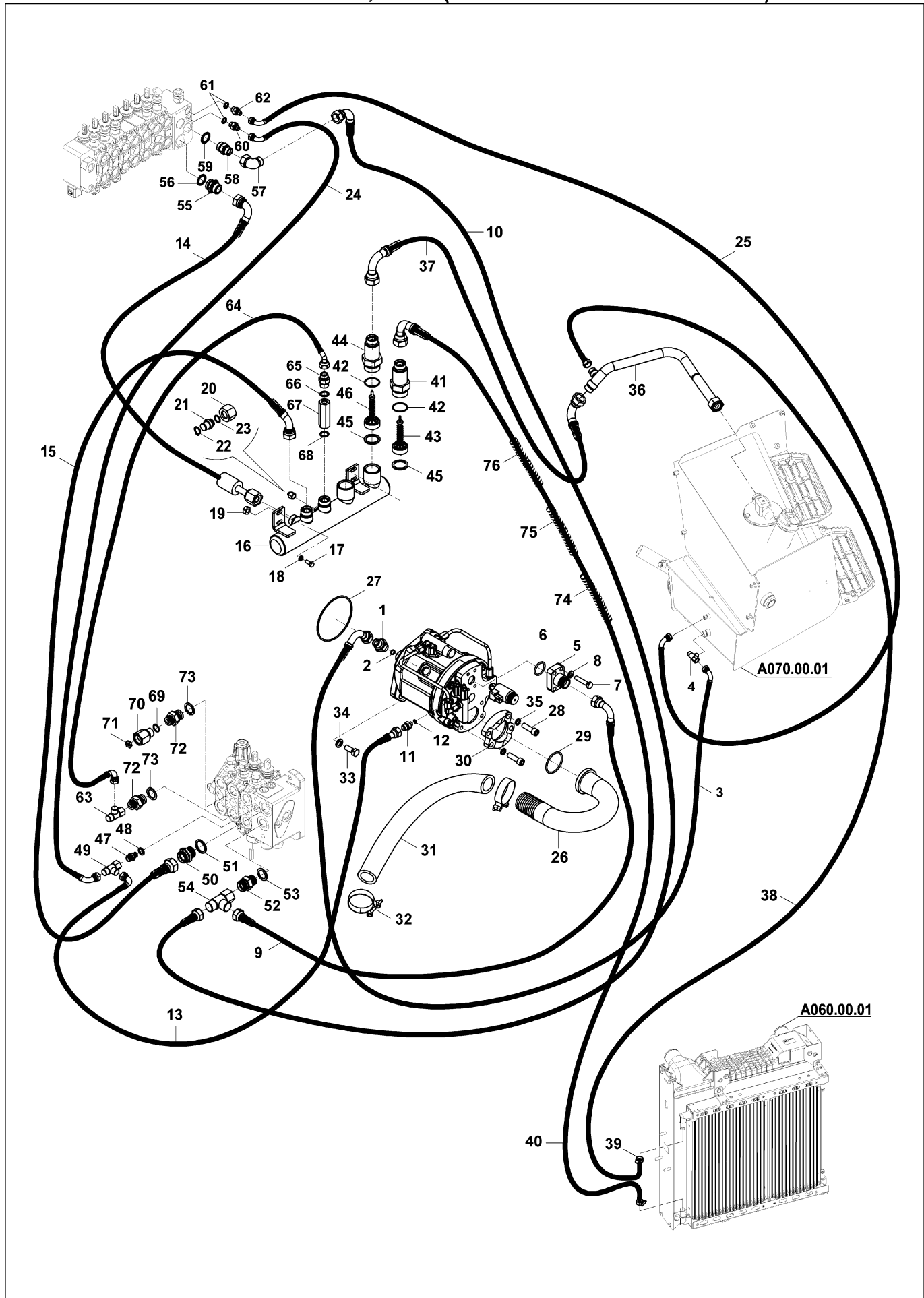
HİDROLİK TESİSAT, ANA DAĞITIM (PİSTONLU POMPA & ZF & TİP B)
HYDRAULIC PIPING, MAIN (PISTON PUMP & ZF & TYPE B)



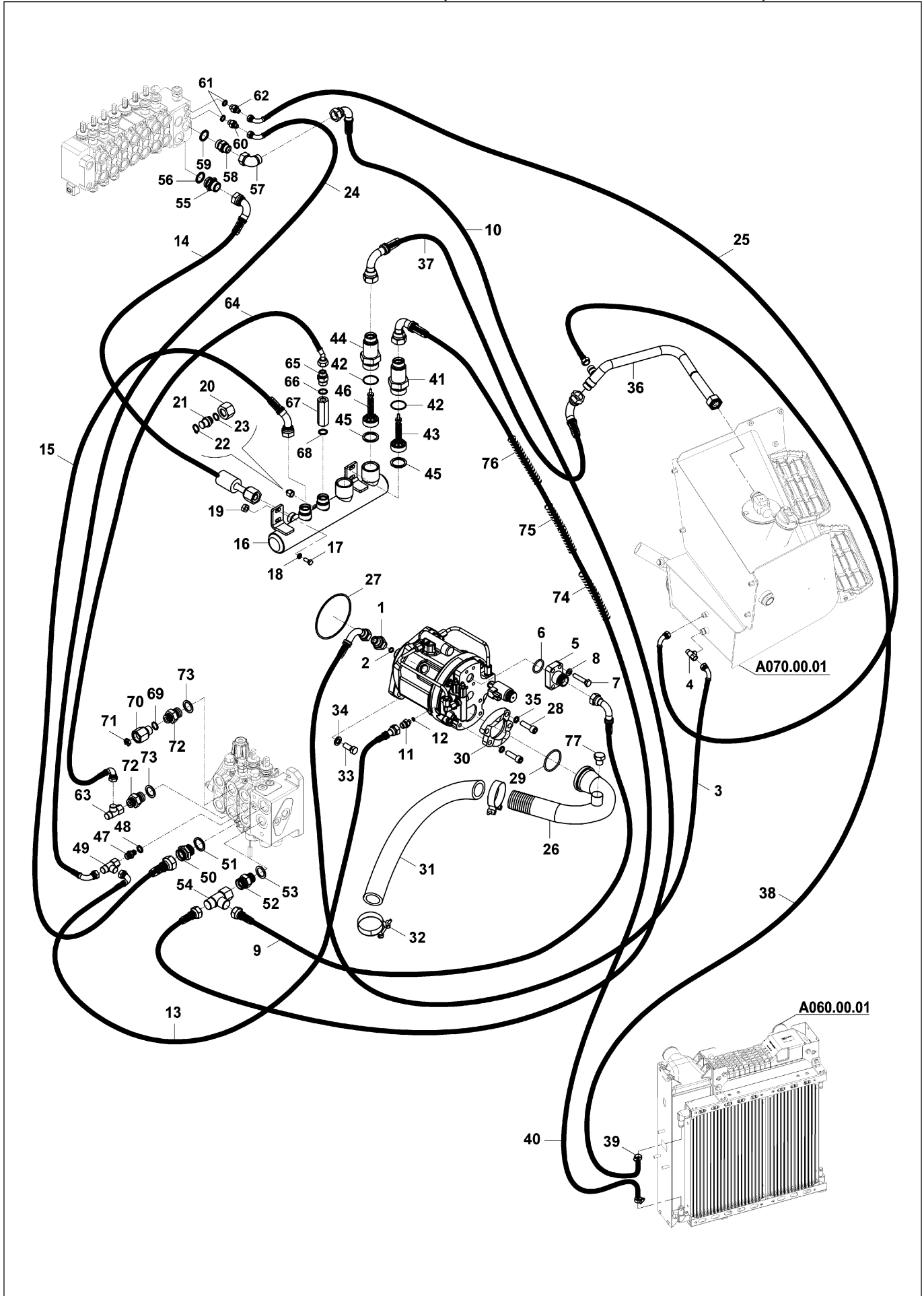
HİDROLİK TESİSAT, ANA DAĞITIM (PİSTONLU POMPA & ZF & TİP B)
HYDRAULIC PIPING, MAIN (PISTON PUMP & ZF & TYPE B)



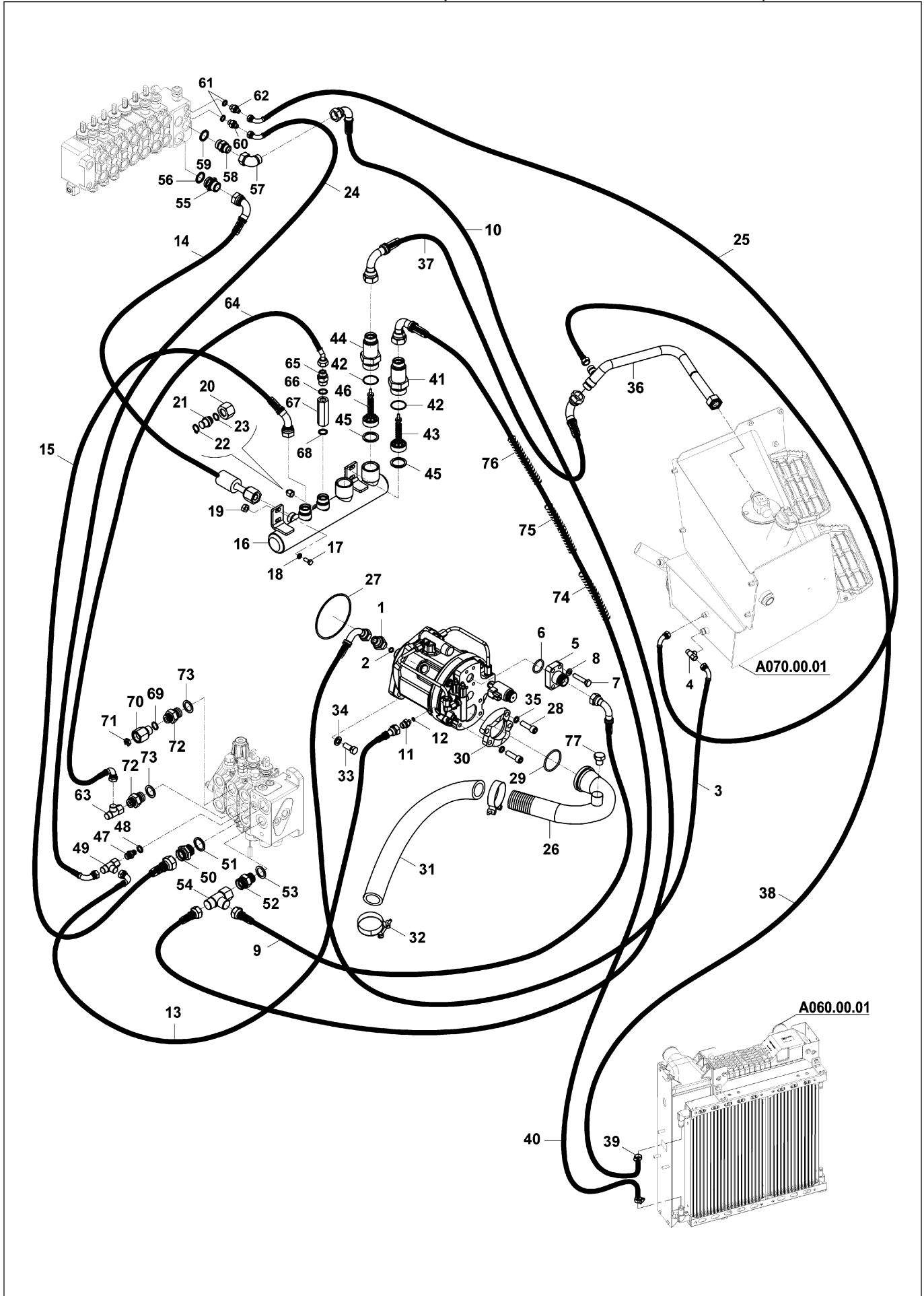
HİDROLİK TESİSAT, ANA DAĞITIM (PİSTONLU POMPA & ZF & TİP B)
HYDRAULIC PIPING, MAIN (PISTON PUMP & ZF & TYPE B)



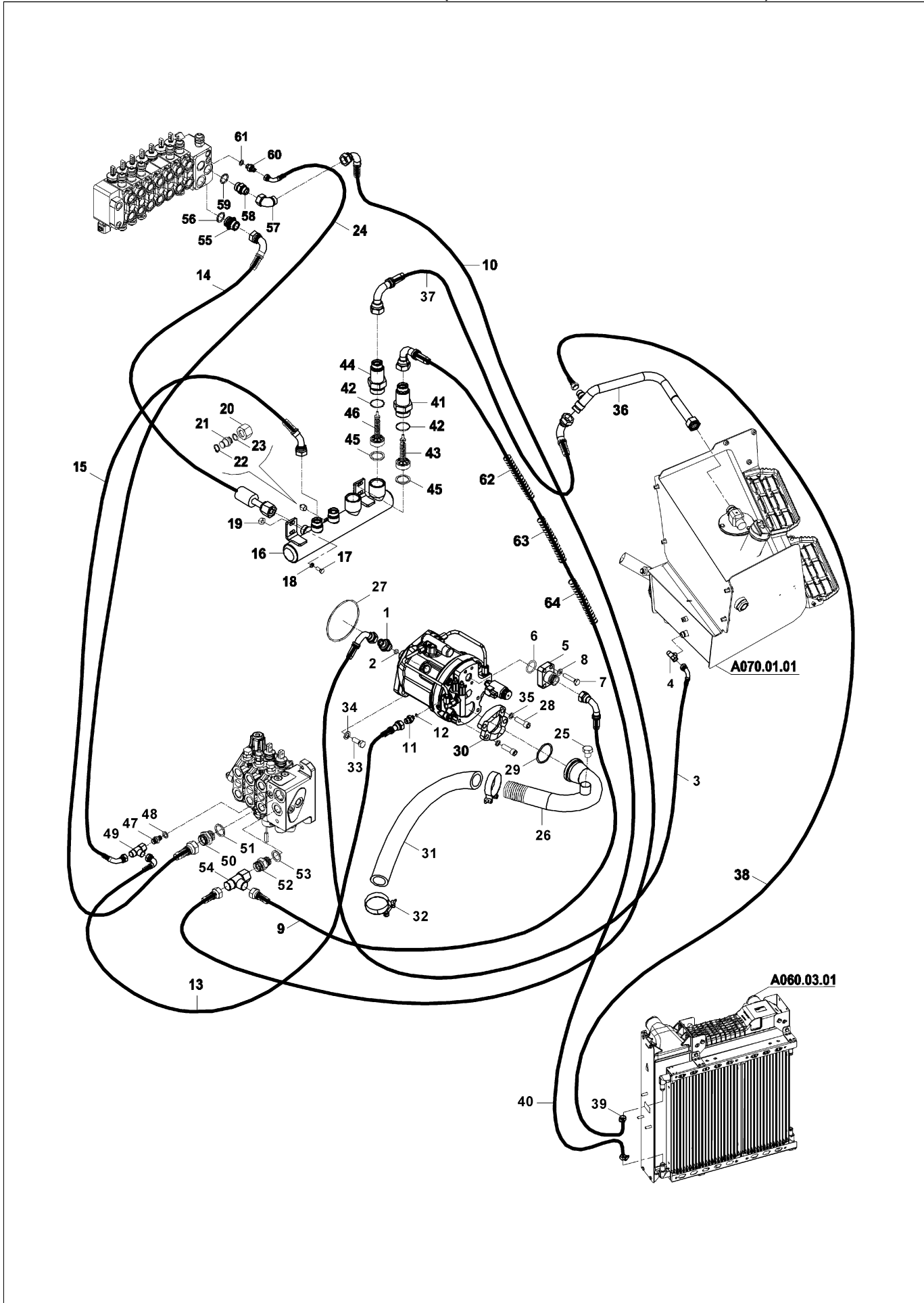
HİDROLİK TESİSAT, ANA DAĞITIM (PİSTONLU POMPA & ZF & TİP B) HYDRAULIC PIPING, MAIN (PISTON PUMP & ZF & TYPE B)



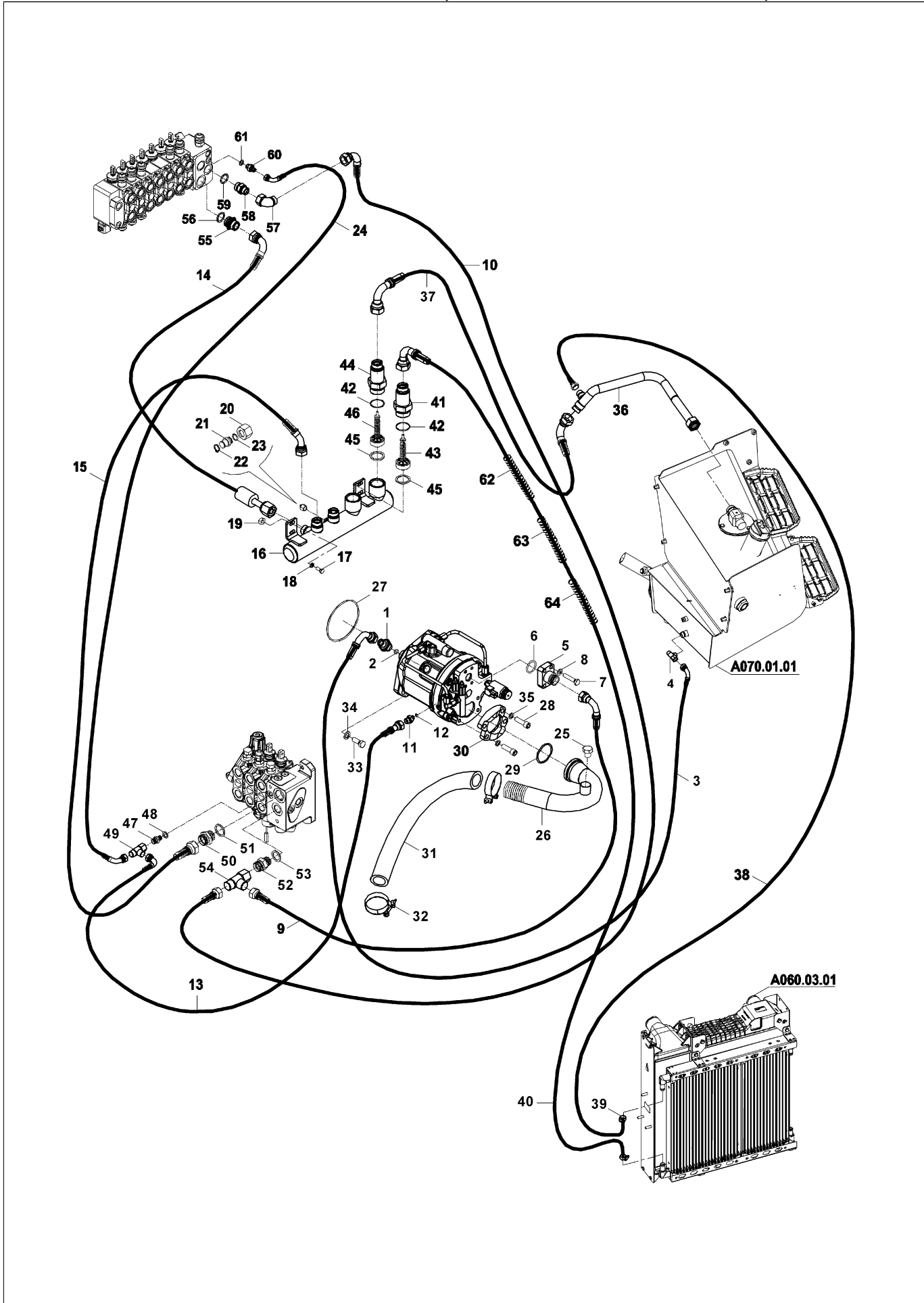
HİDROLİK TESİSAT, ANA DAĞITIM (PİSTONLU POMPA & ZF & TİP B) HYDRAULIC PIPING, MAIN (PISTON PUMP & ZF & TYPE B)



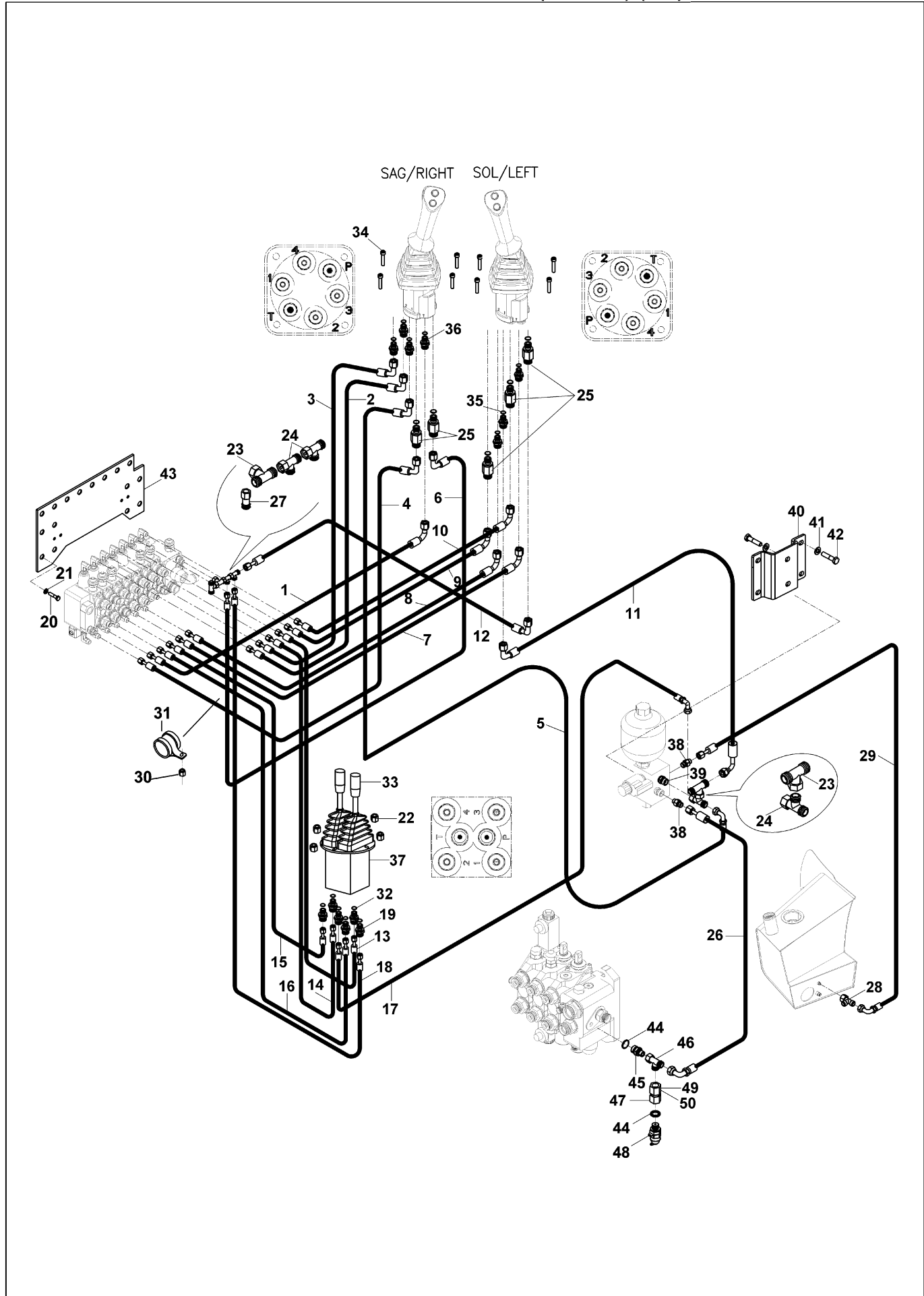
HİDROLİK TESİSAT, ANA DAĞITIM (PİSTONLU POMPA & ZF & TİP B) HYDRAULIC PIPING, MAIN (PISTON PUMP & ZF & TYPE B)



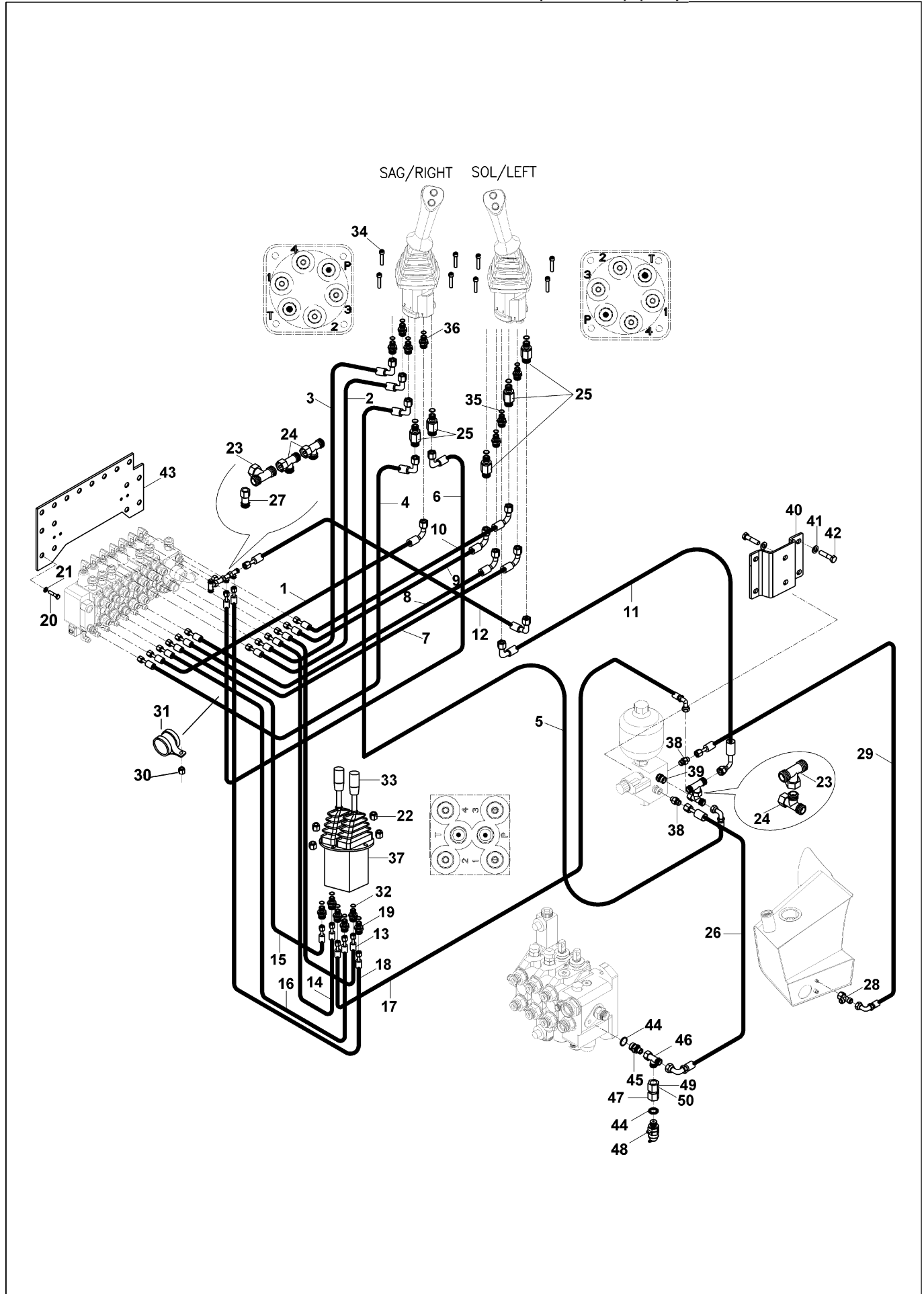
HİDROLİK TESİSAT, ANA DAĞITIM (PİSTONLU POMPA & ZF & TİP B) HYDRAULIC PIPING, MAIN (PISTON PUMP & ZF & TYPE B)



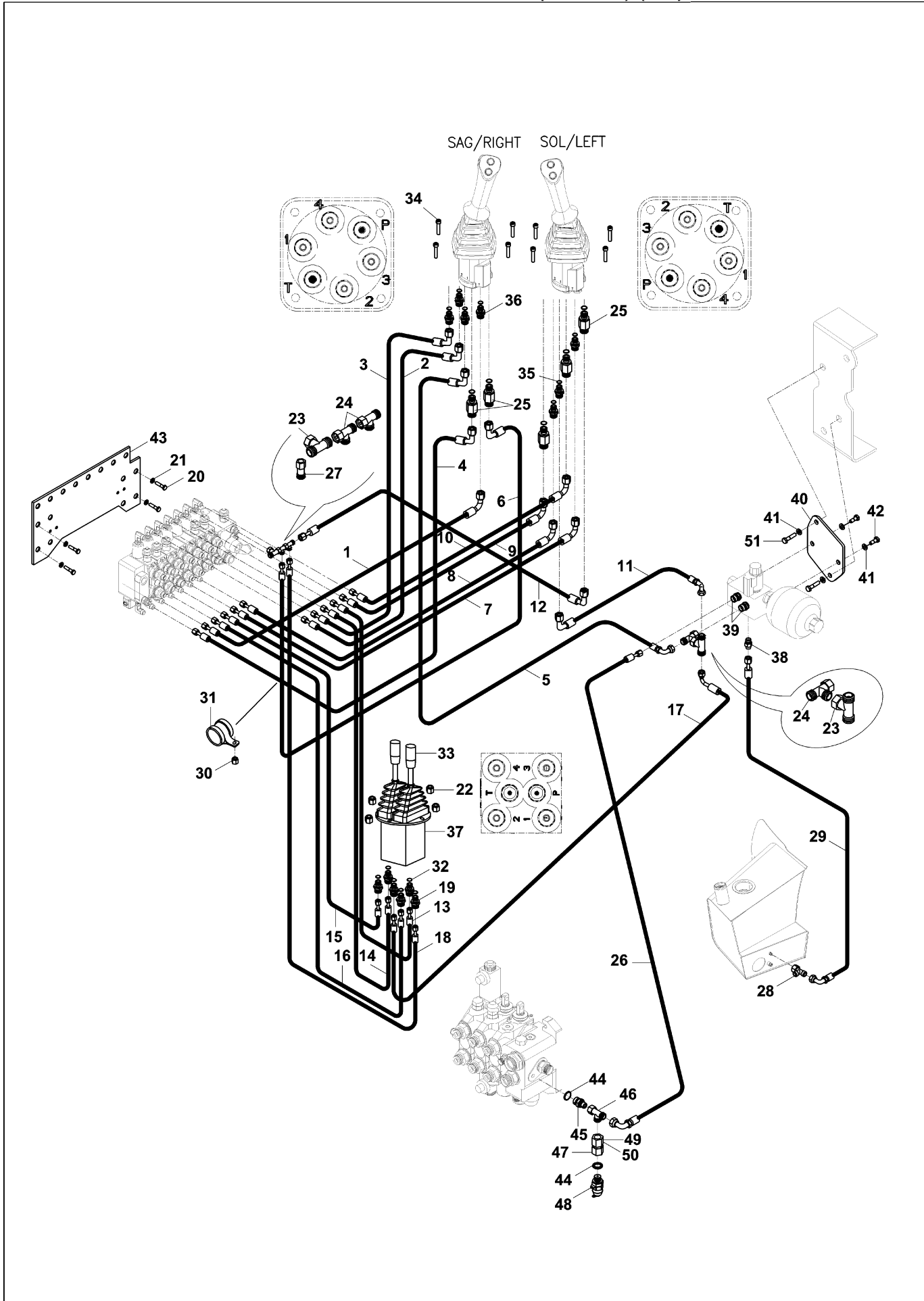
PİLOT HİDROLİK TESİSATI (TİP B) (OP)
HYDRAULIC PIPING, PILOT (TYPE B) (OP)



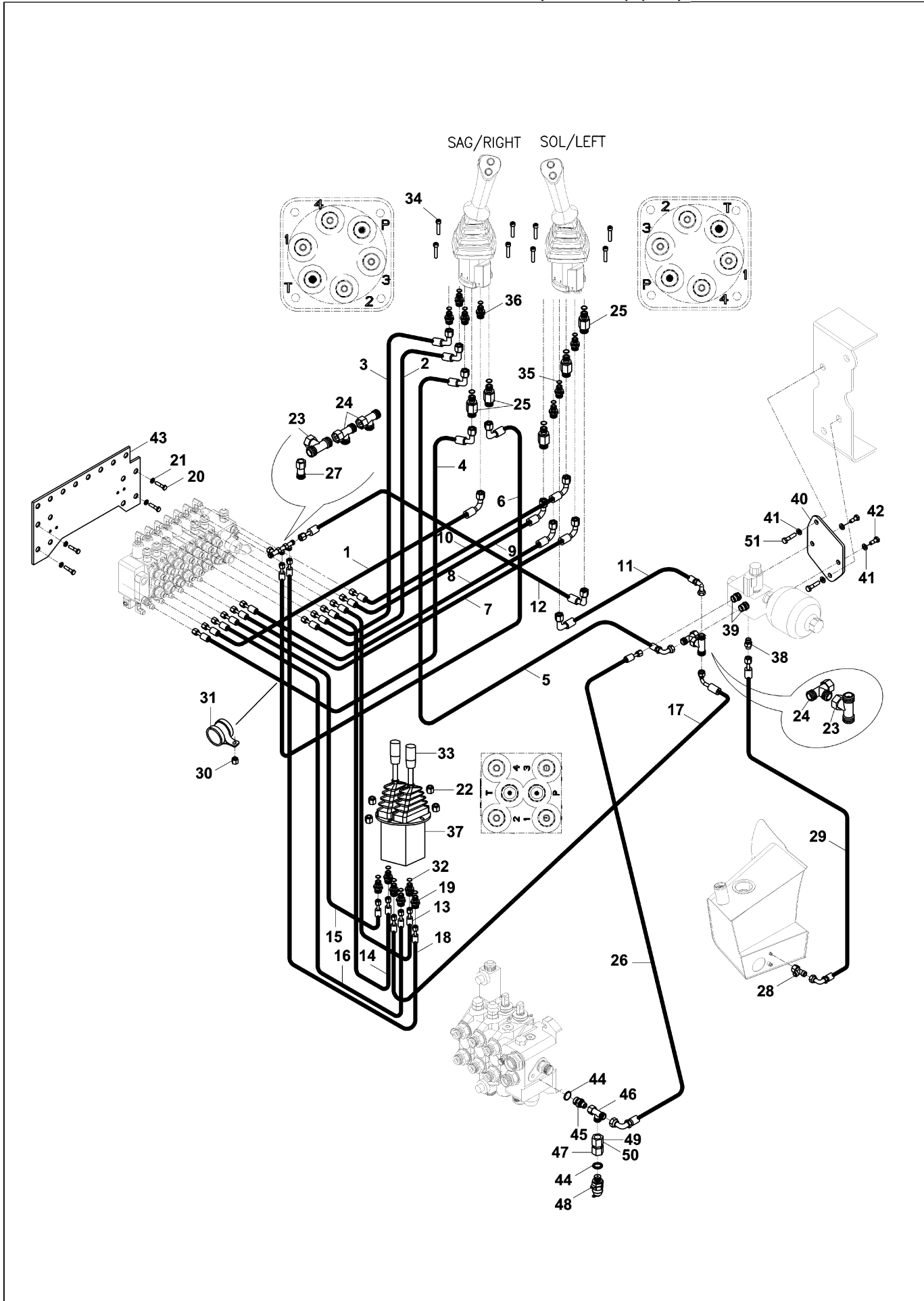
PİLOT HİDROLİK TESİSATI (TİP B) (OP)
 HYDRAULIC PIPING, PILOT (TYPE B) (OP)



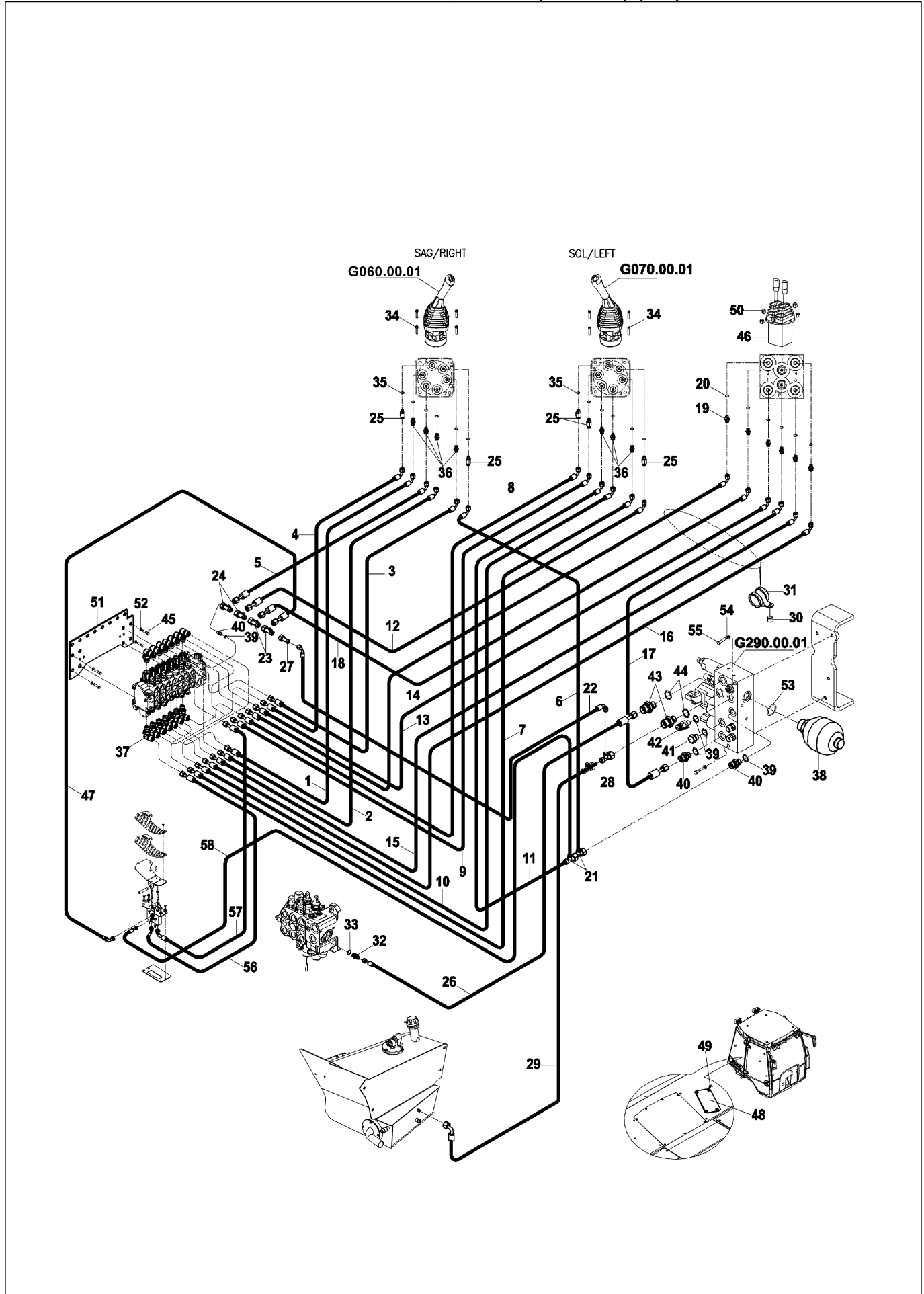
PİLOT HİDROLİK TESİSATI (TİP B) (OP)
 HYDRAULIC PIPING, PILOT (TYPE B) (OP)



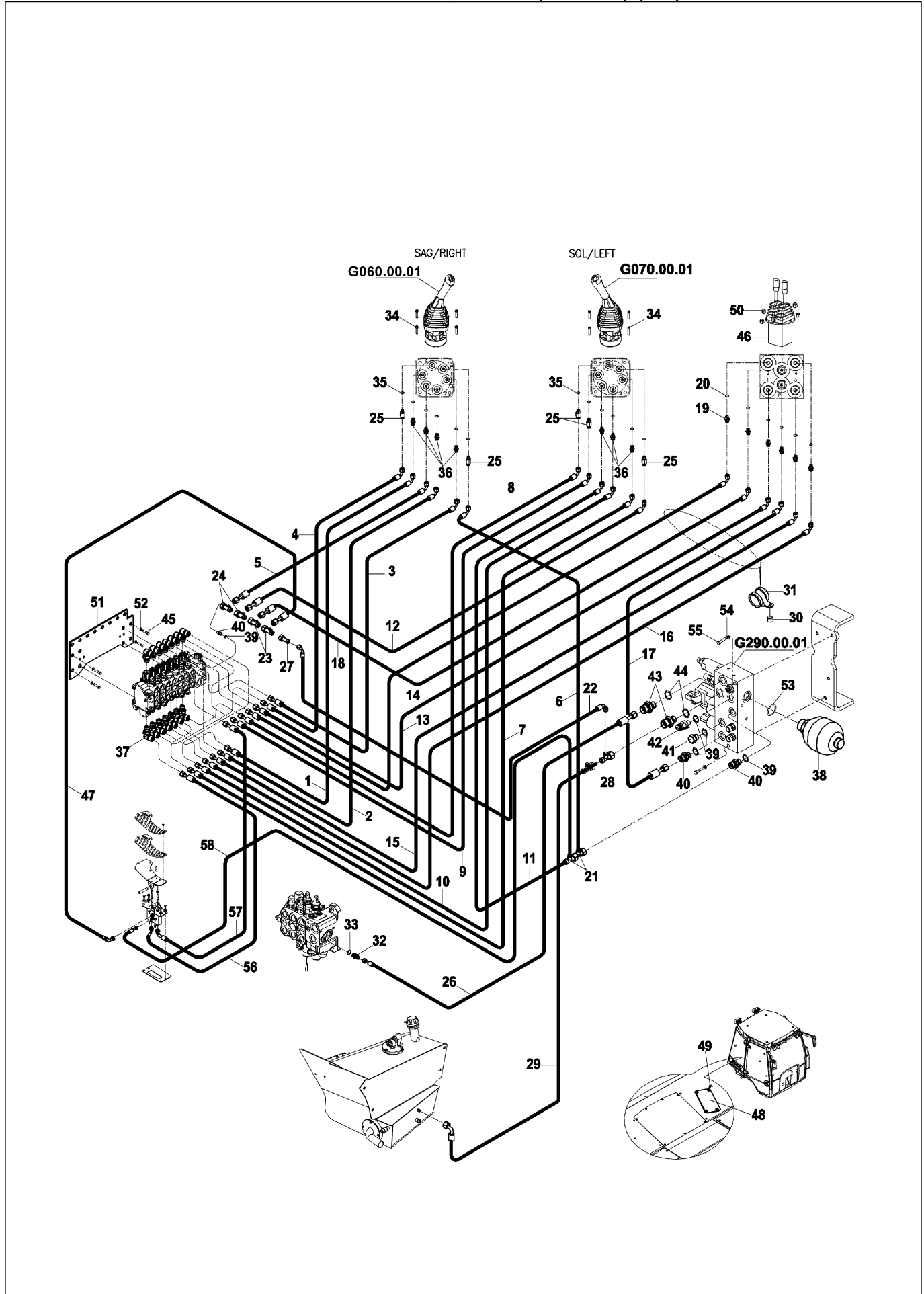
PİLOT HİDROLİK TESİSATI (TİP B) (OP)
 HYDRAULIC PIPING, PILOT (TYPE B) (OP)



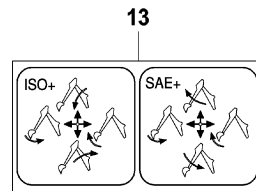
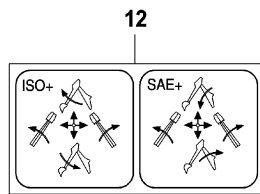
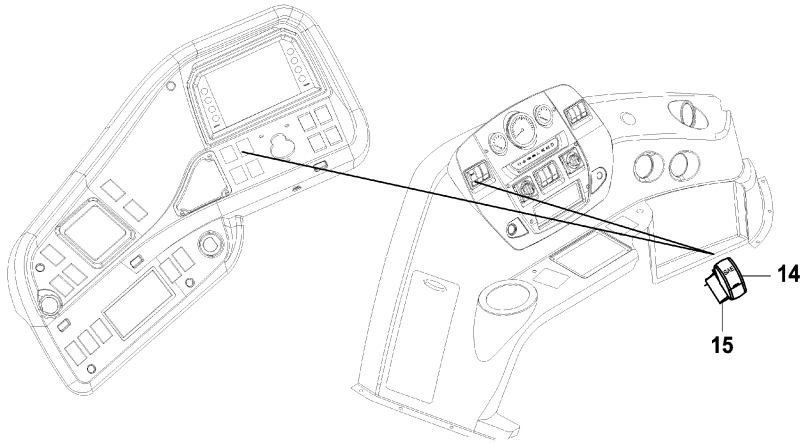
PİLOT HİDROLİK TESİSATI (TİP B) (OP)
HYDRAULIC PIPING, PILOT (TYPE B) (OP)



PİLOT HİDROLİK TESİSATI (TİP B) (OP)
HYDRAULIC PIPING, PILOT (TYPE B) (OP)

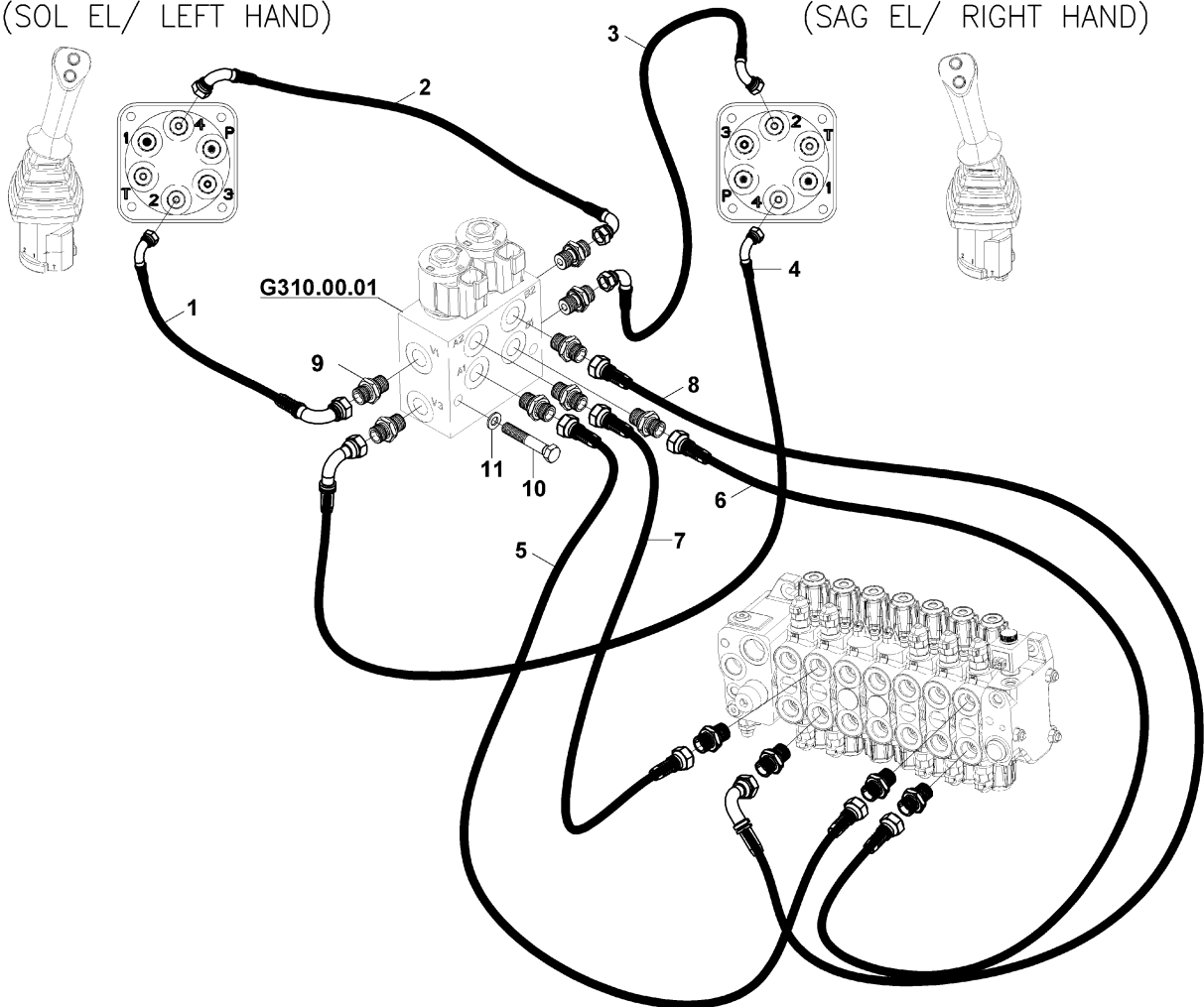


KUMANDA DEĞİŞTİRİCİ PATTERN SHIFTER

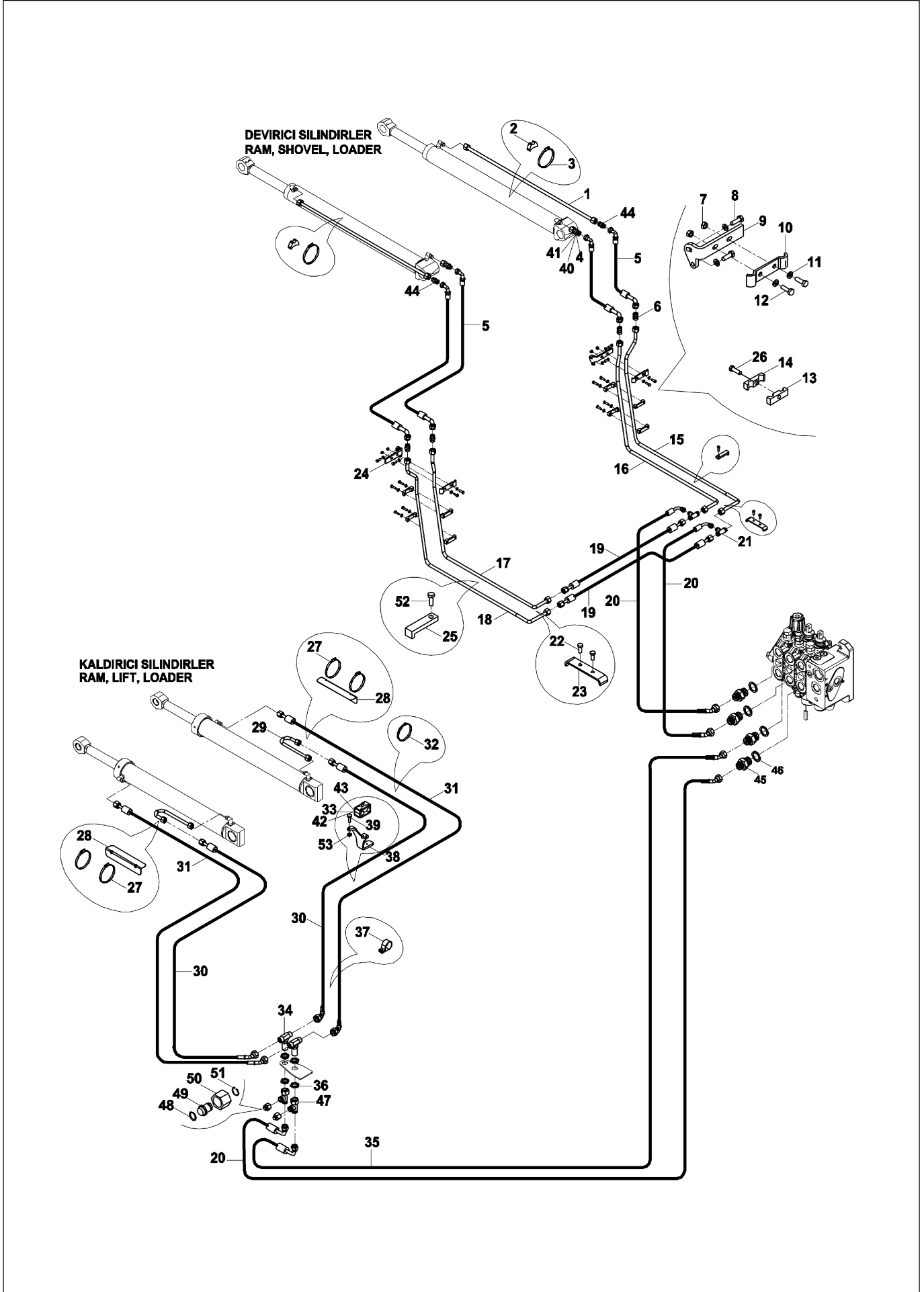


(SOL EL/ LEFT HAND)

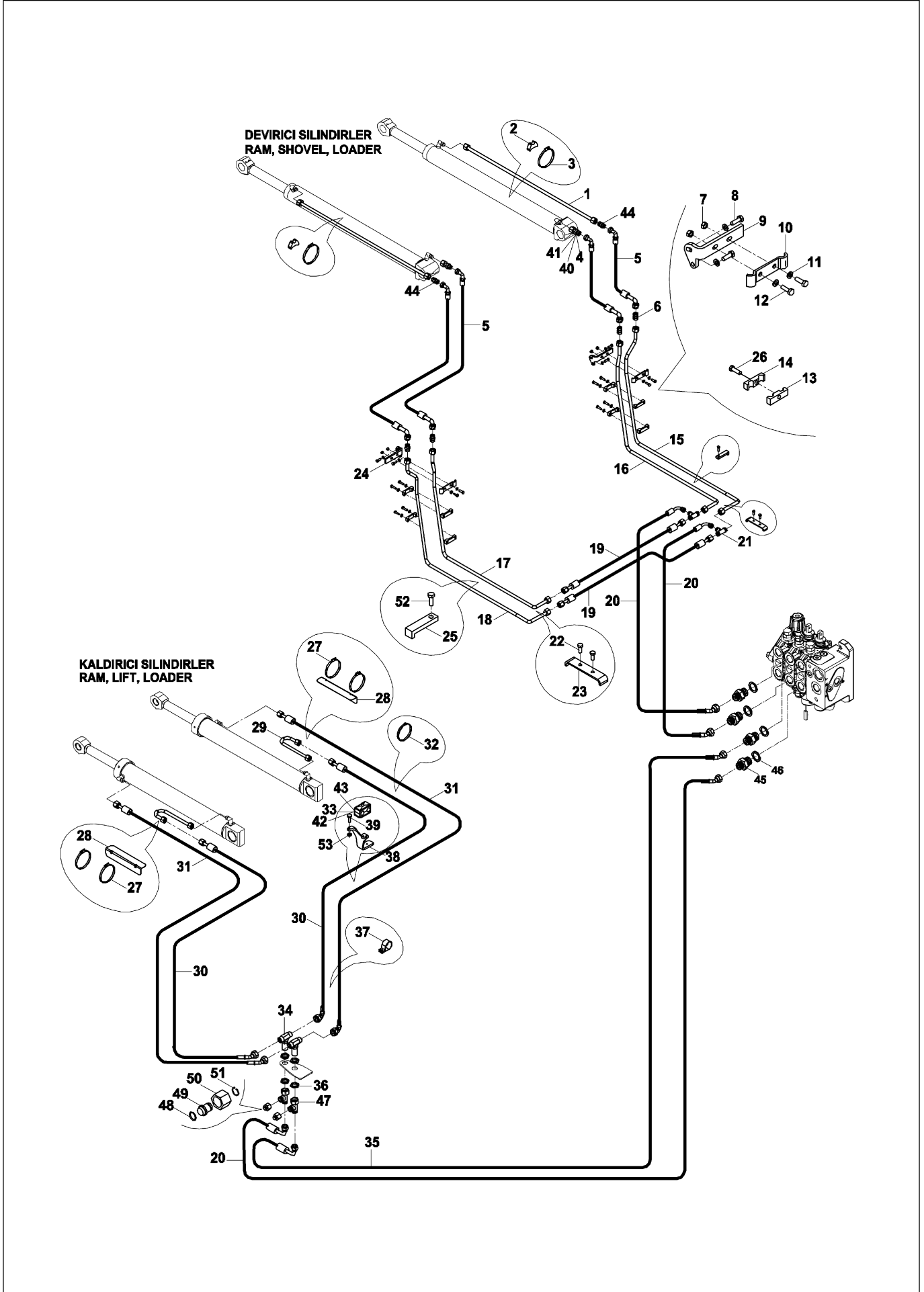
(SAG EL/ RIGHT HAND)



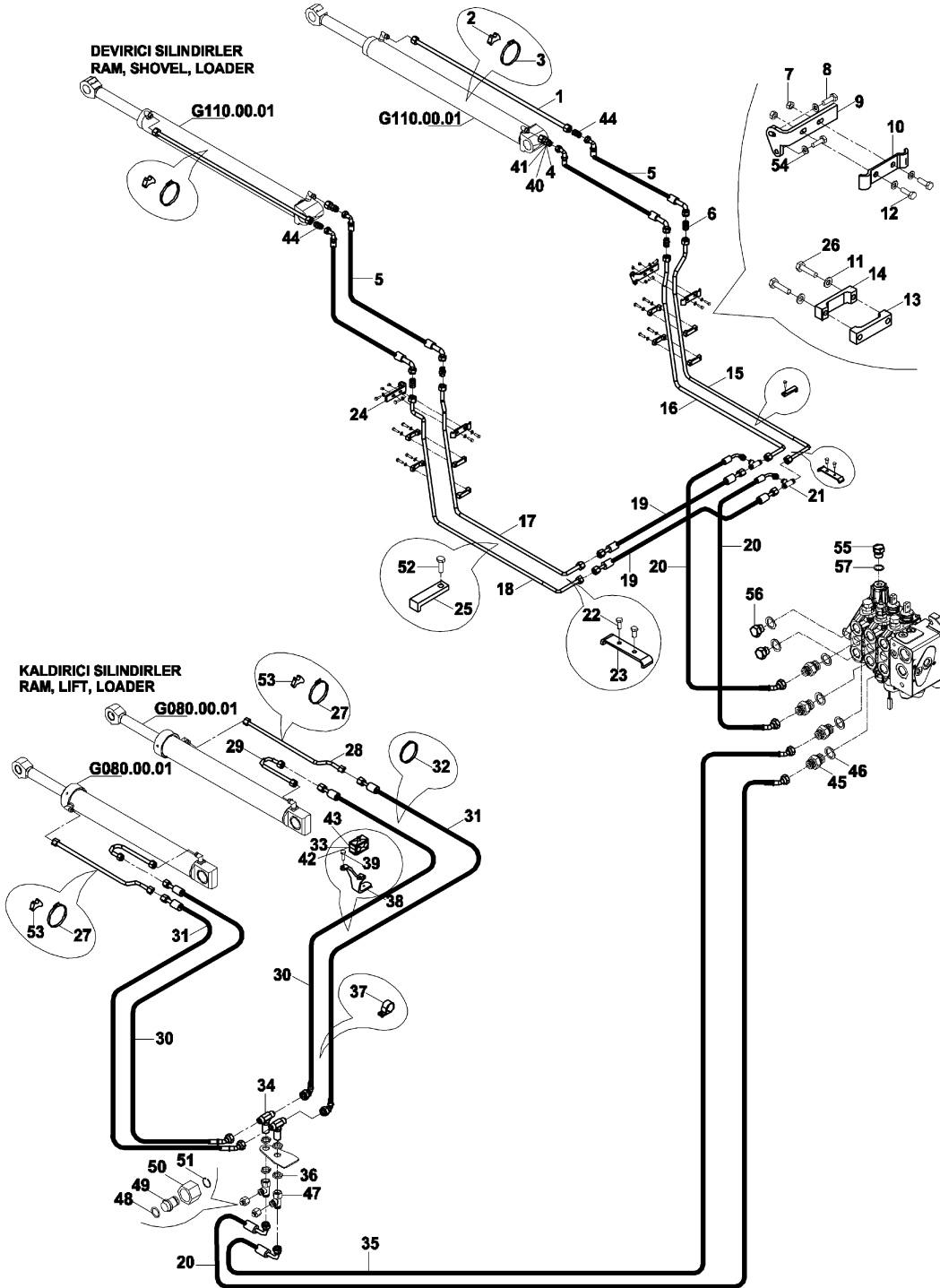
YÜKLEYİCİ HİDROLİK TESİSATI, SABİT KEPÇELİ (TİP B) (OP)
LOADER HYDRAULIC PIPING, SHOVEL (TYPE B) (OP)



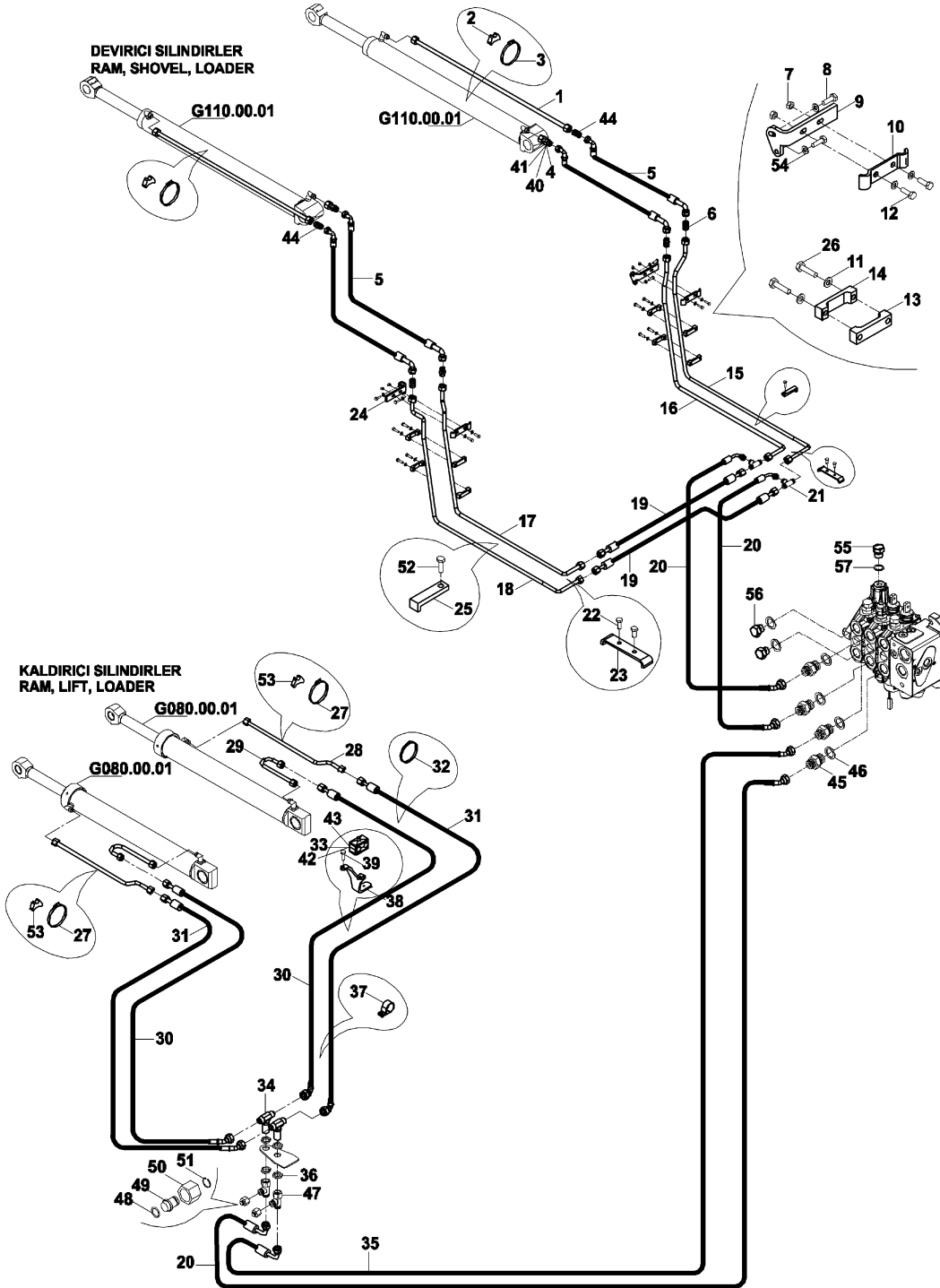
YÜKLEYİCİ HİDROLİK TESİSATI, SABİT KEPÇELİ (TİP B) (OP)
LOADER HYDRAULIC PIPING, SHOVEL (TYPE B) (OP)



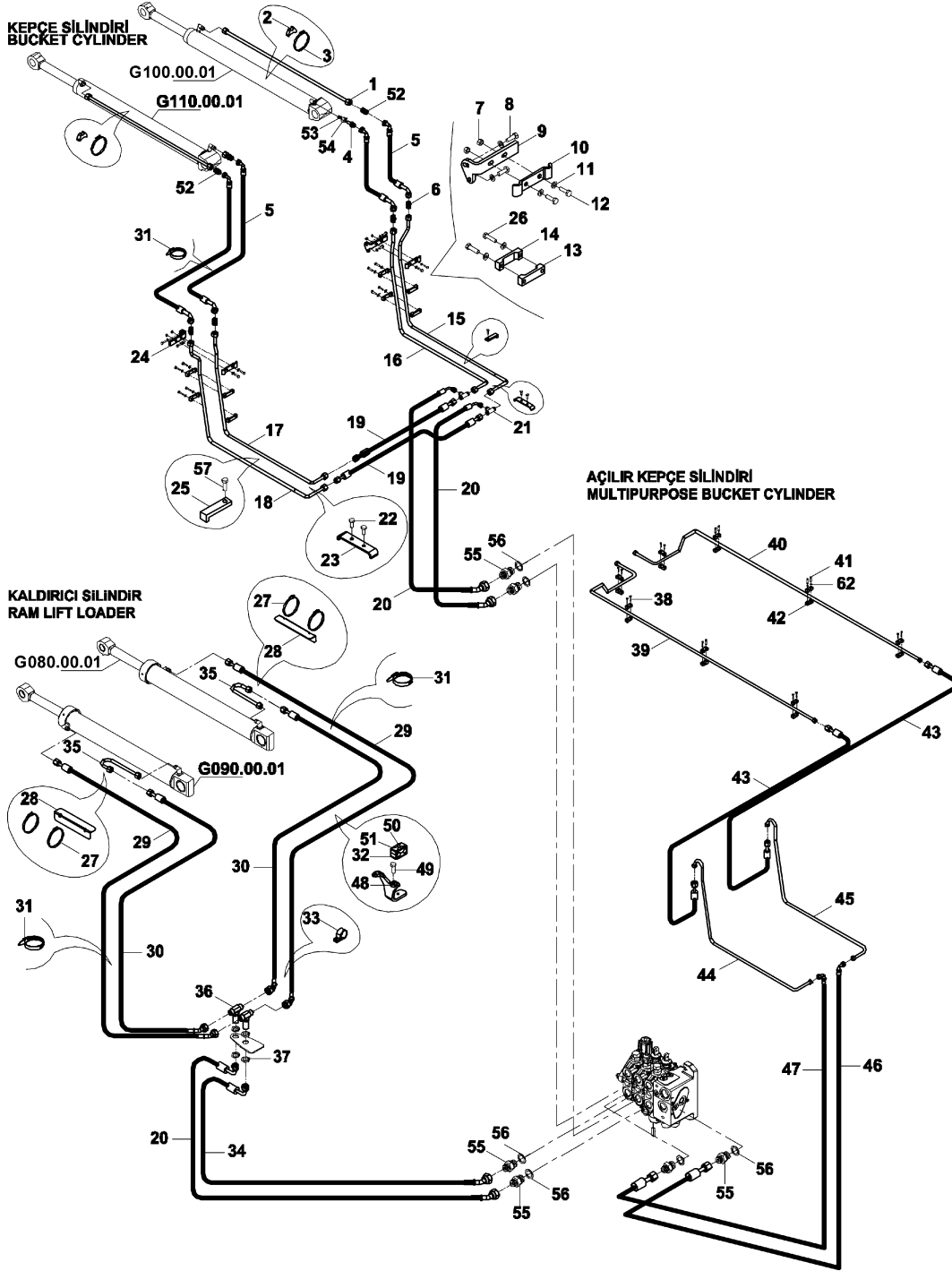
YÜKLEYİCİ HİDROLİK TESİSATI, SABİT KEPÇELİ (TİP B) (OP)
LOADER HYDRAULIC PIPING, SHOVEL (TYPE B) (OP)



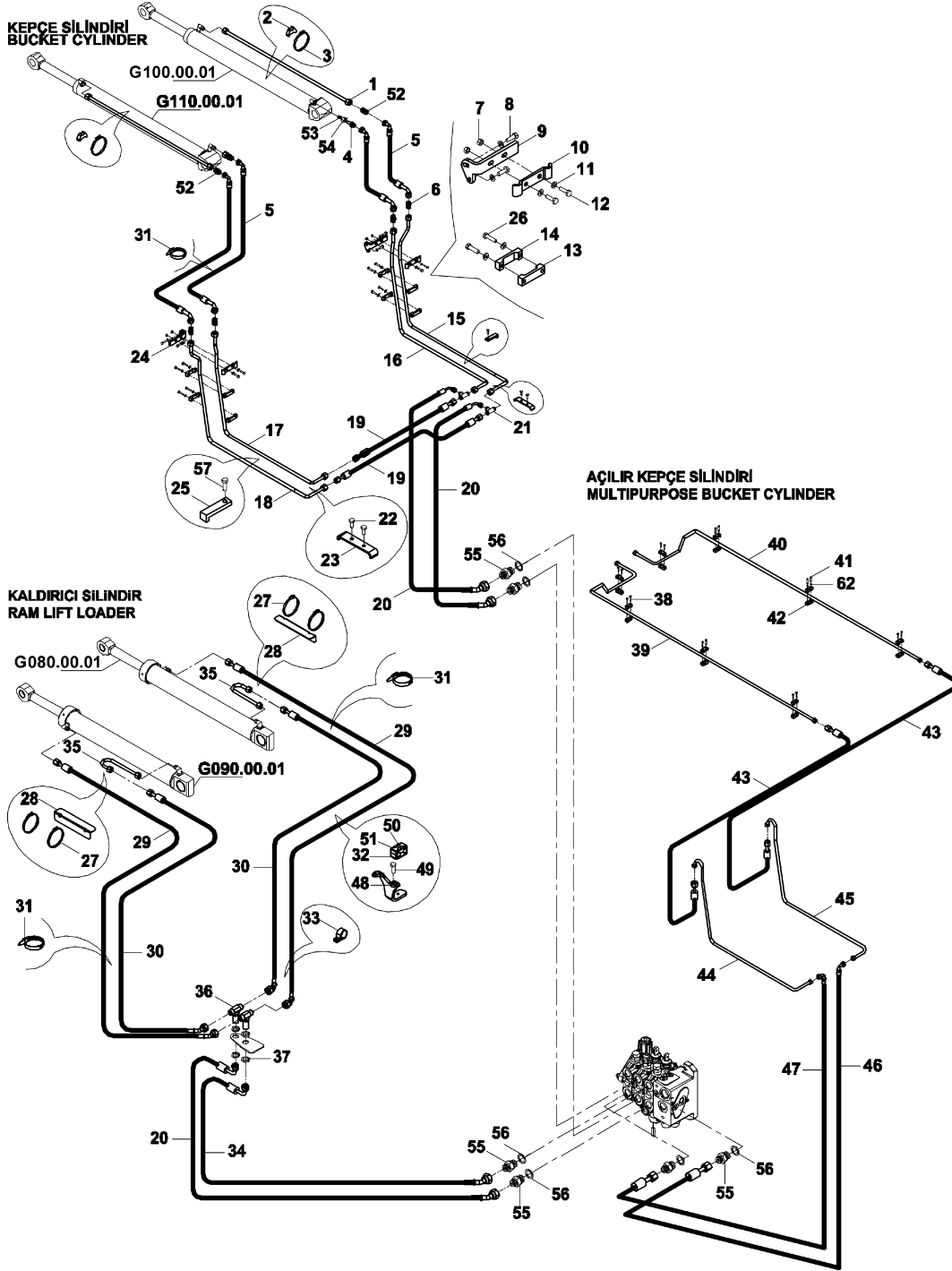
YÜKLEYİCİ HİDROLİK TESİSATI, SABİT KEPÇELİ (TİP B) (OP)
LOADER HYDRAULIC PIPING, SHOVEL (TYPE B) (OP)



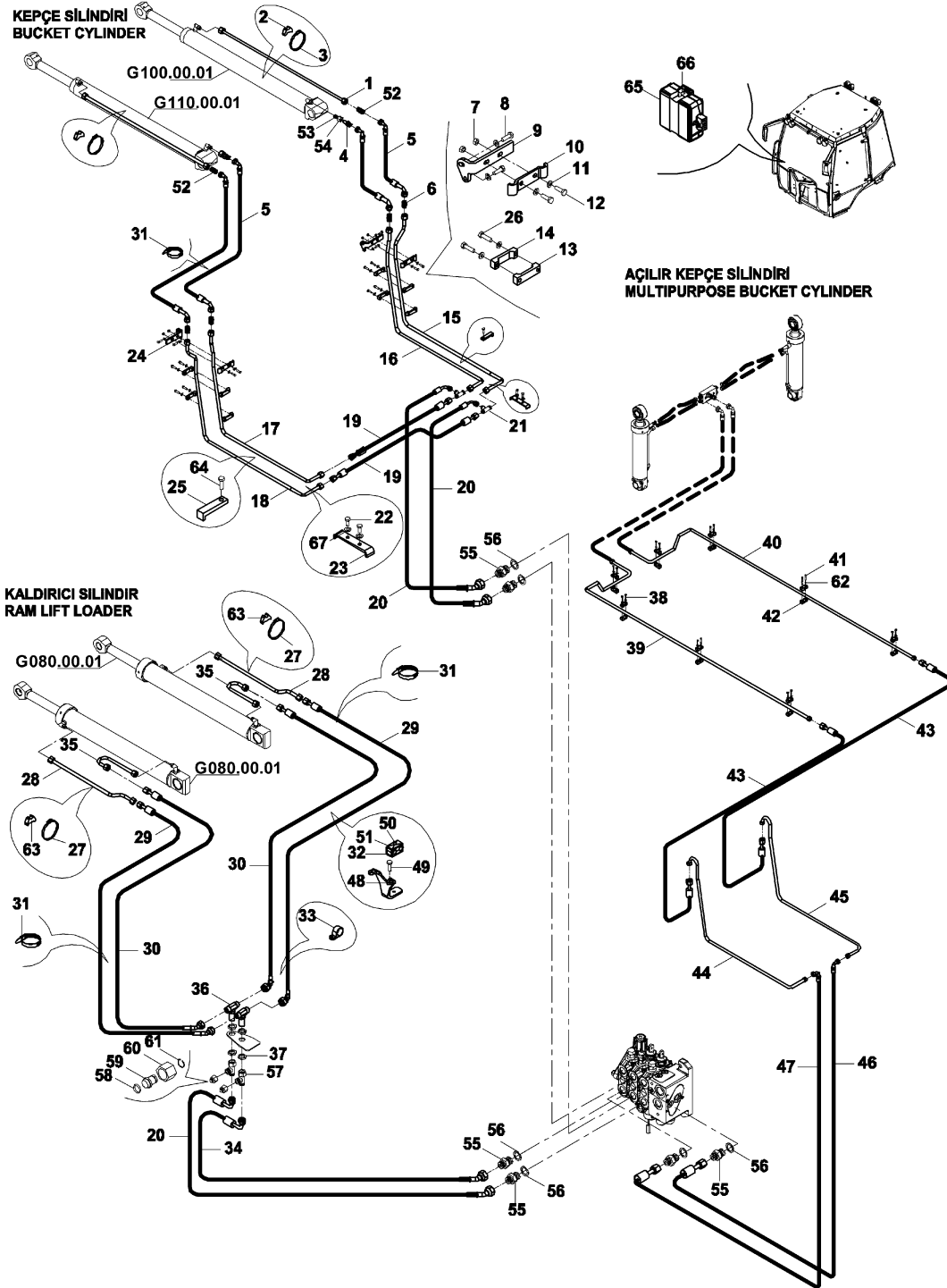
YÜKLEYİCİ HİDROLİK TESİSAT & AÇILIR KEPÇELİ (TİP B) LOADER HYDRAULIC PIPING & MULTIPURPOSE BUCKET (TYPE B)



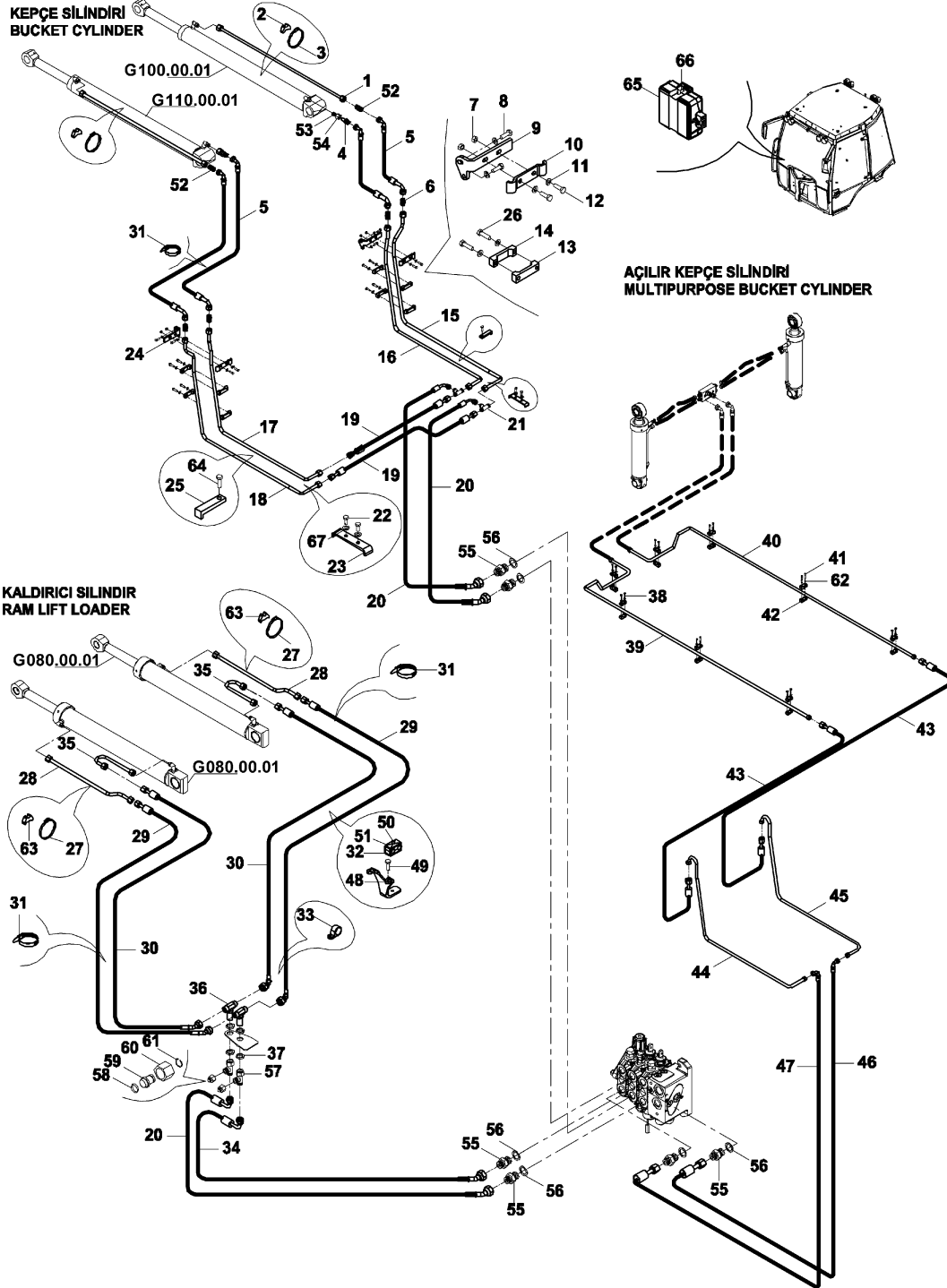
YÜKLEYİCİ HİDROLİK TESİSAT & AÇILIR KEPÇELİ (TİP B) LOADER HYDRAULIC PIPING & MULTIPURPOSE BUCKET (TYPE B)



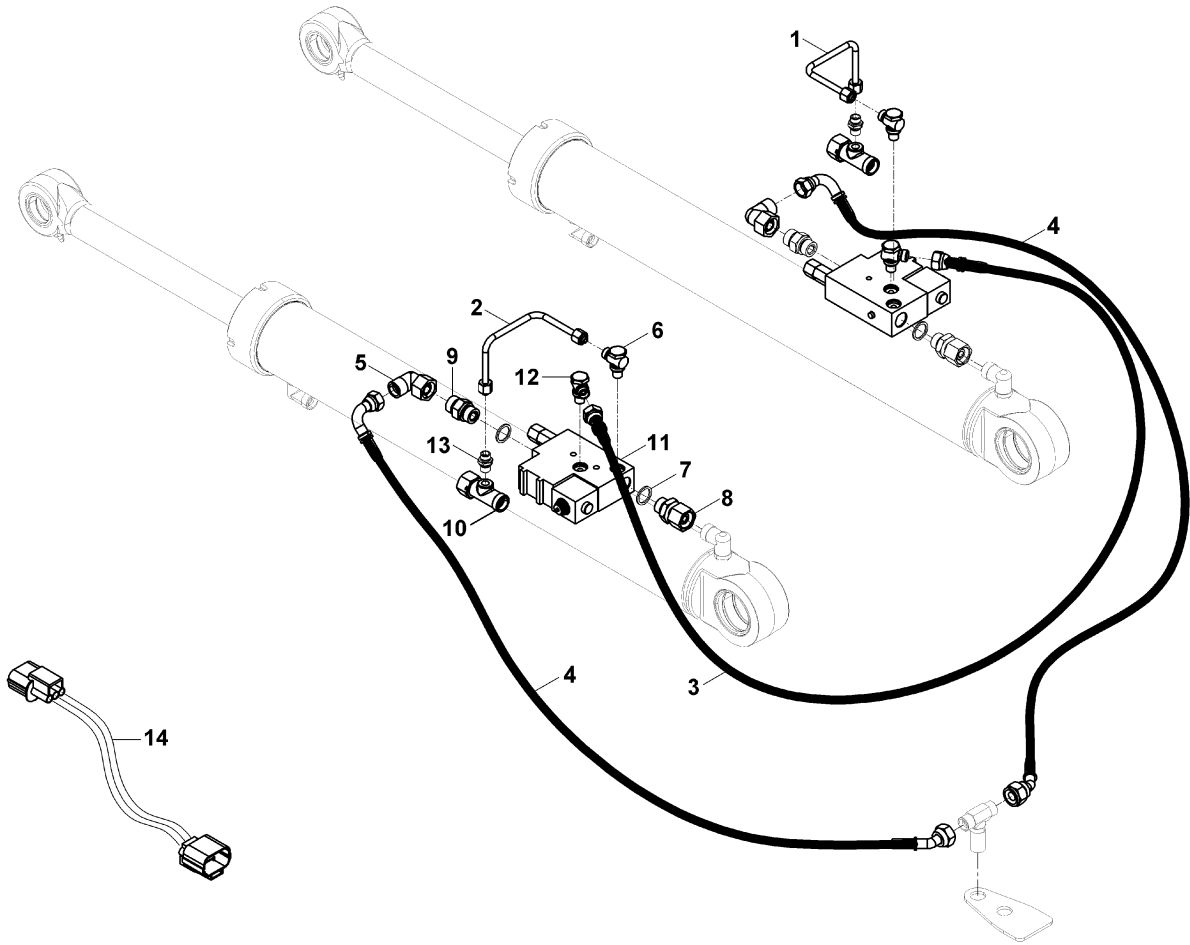
YÜKLEYİCİ HİDROLİK TESİSAT & AÇILIR KEPÇELİ (TİP B) LOADER HYDRAULIC PIPING & MULTIPURPOSE BUCKET (TYPE B)



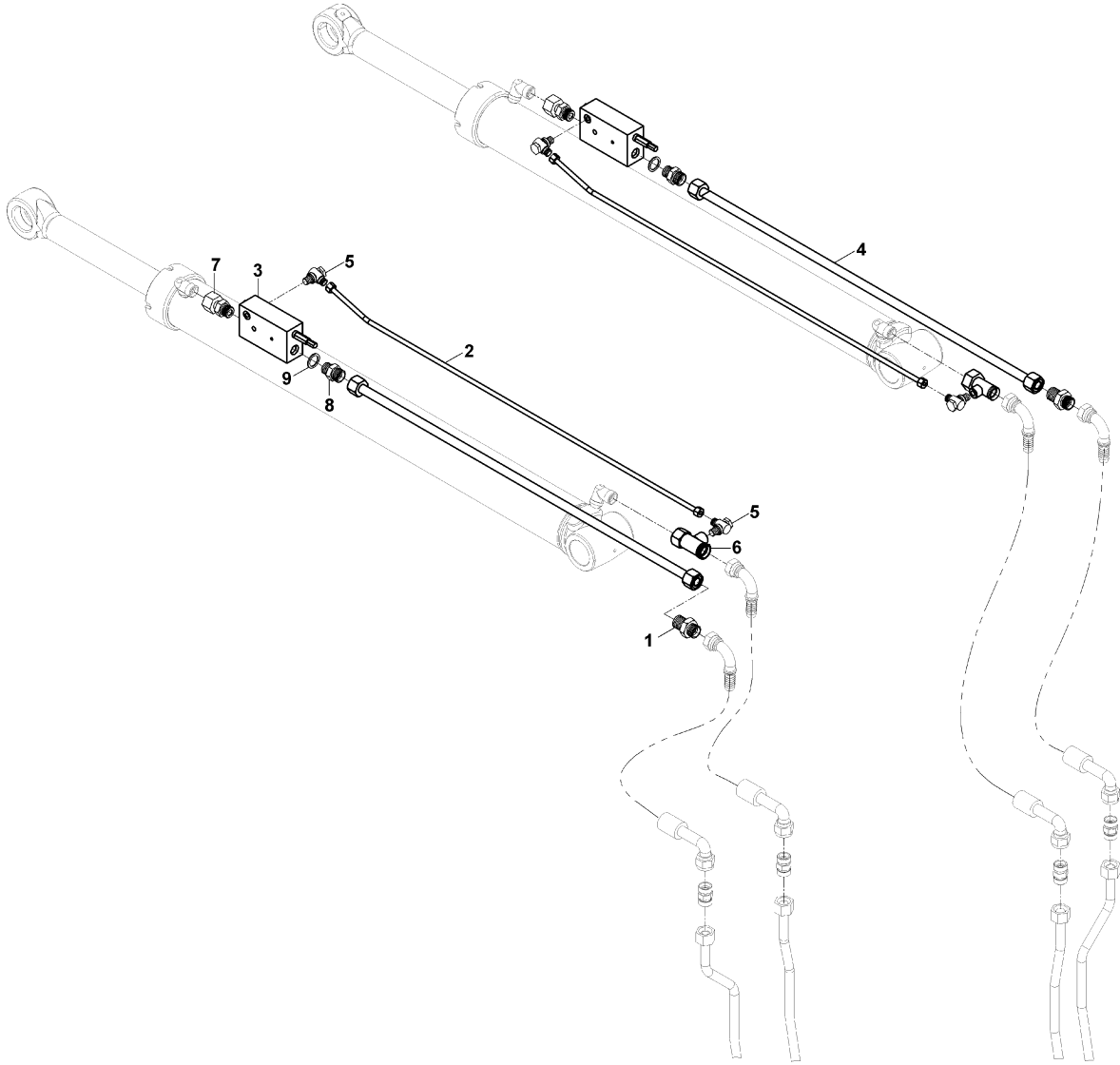
YÜKLEYİCİ HİDROLİK TESİSAT & AÇILIR KEPÇELİ (TİP B) LOADER HYDRAULIC PIPING & MULTIPURPOSE BUCKET (TYPE B)



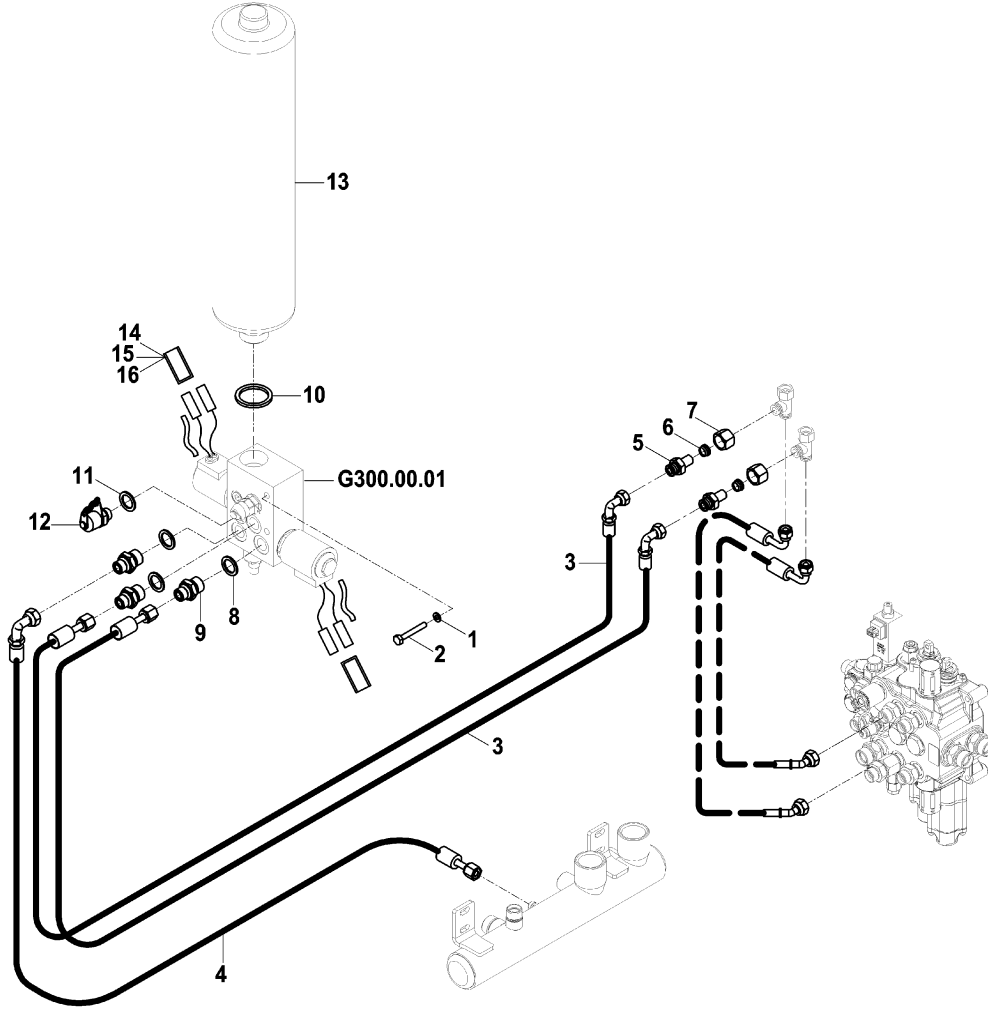
YÜKLEYİCİ HİDROLİK TESİSATI, KALDIRICI SİLİNDİR (EMNİYET VALFLİ) (OP)
LOADER HYDRAULIC PIPING, LIFT CYLINDER (WITH PROTECTION VALVE) (OP)



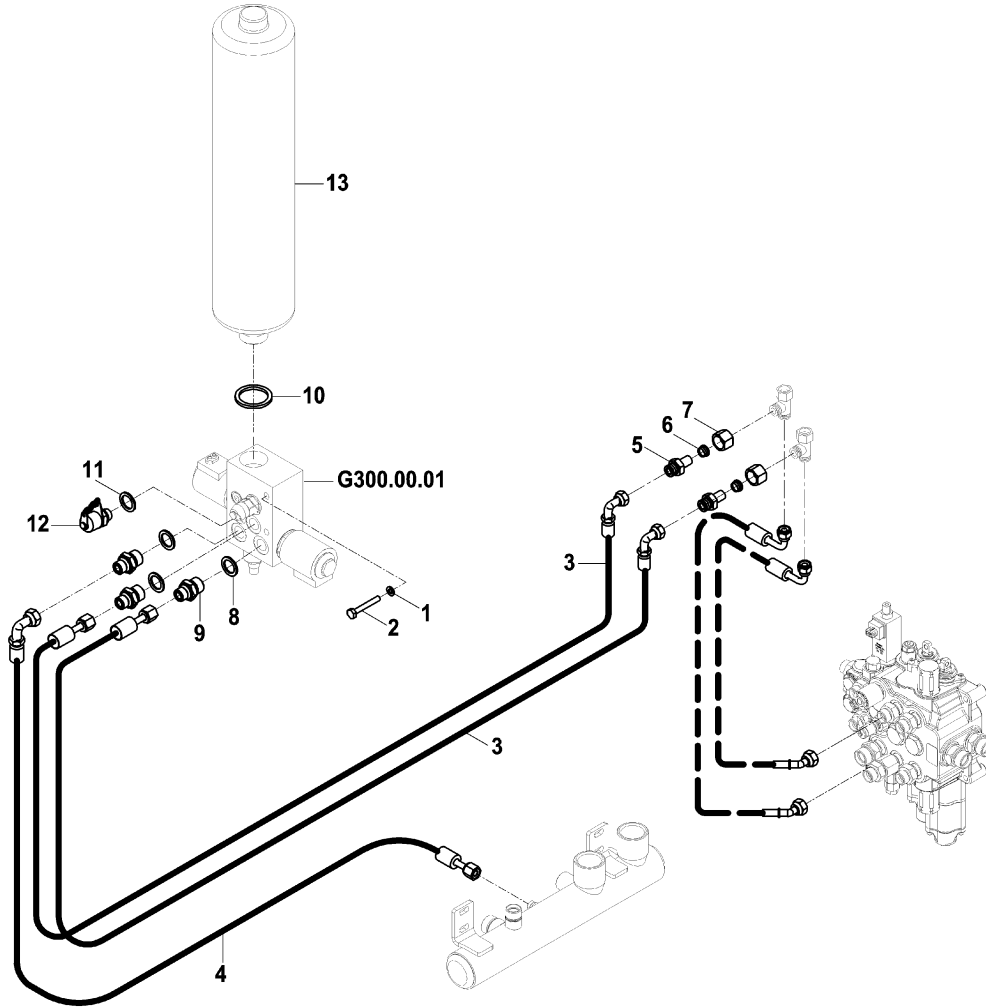
YÜKLEYİCİ HİDROLİK TESİSATI, KEPÇE SİLİNDİRİ (EMNİYET VALFİ) (OP)
LOADER HYDRAULIC PIPING, SHOVEL CYLINDER (WITH PROTECTION VALVE) (OP)



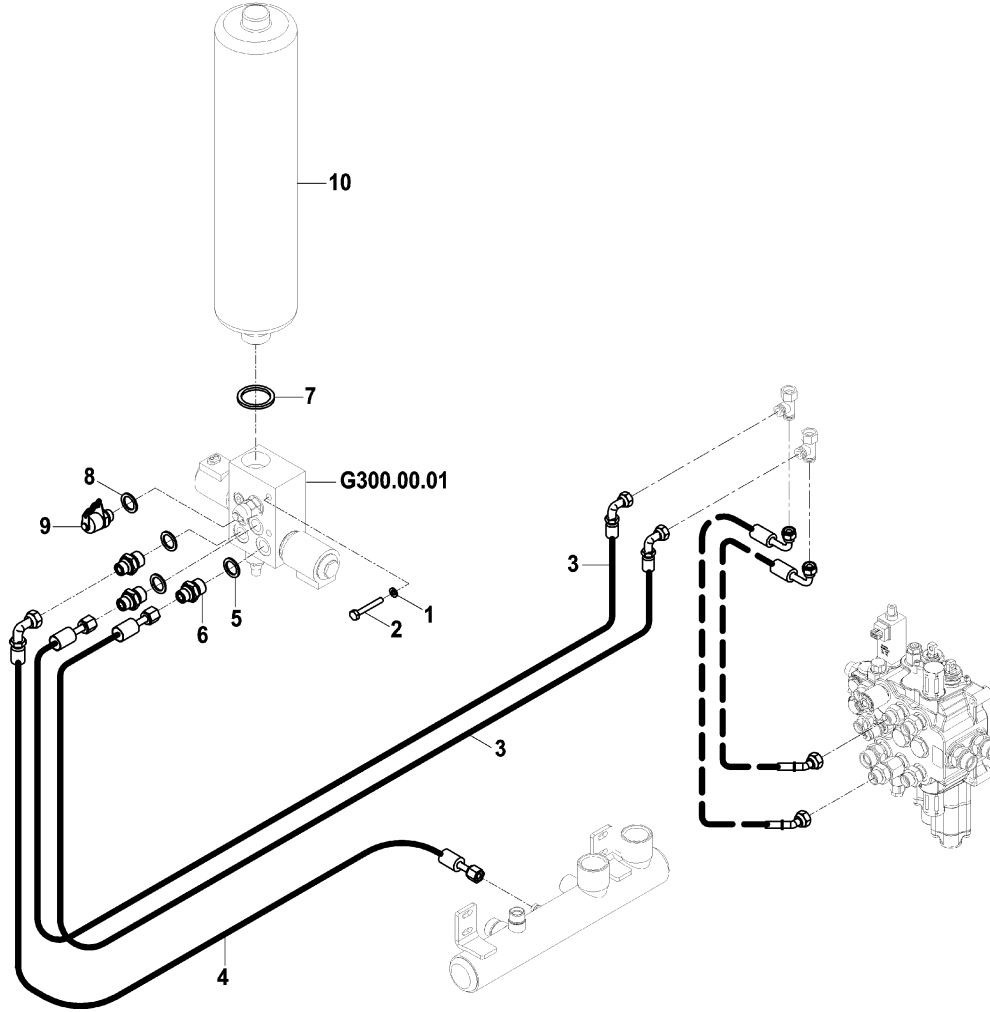
YÜKLEYİCİ HİDROLİK TESİSATI, MSS (TİP A & TİP B)
LOADER HYDRAULIC PIPING, MSS (TYPE A & TYPE B)



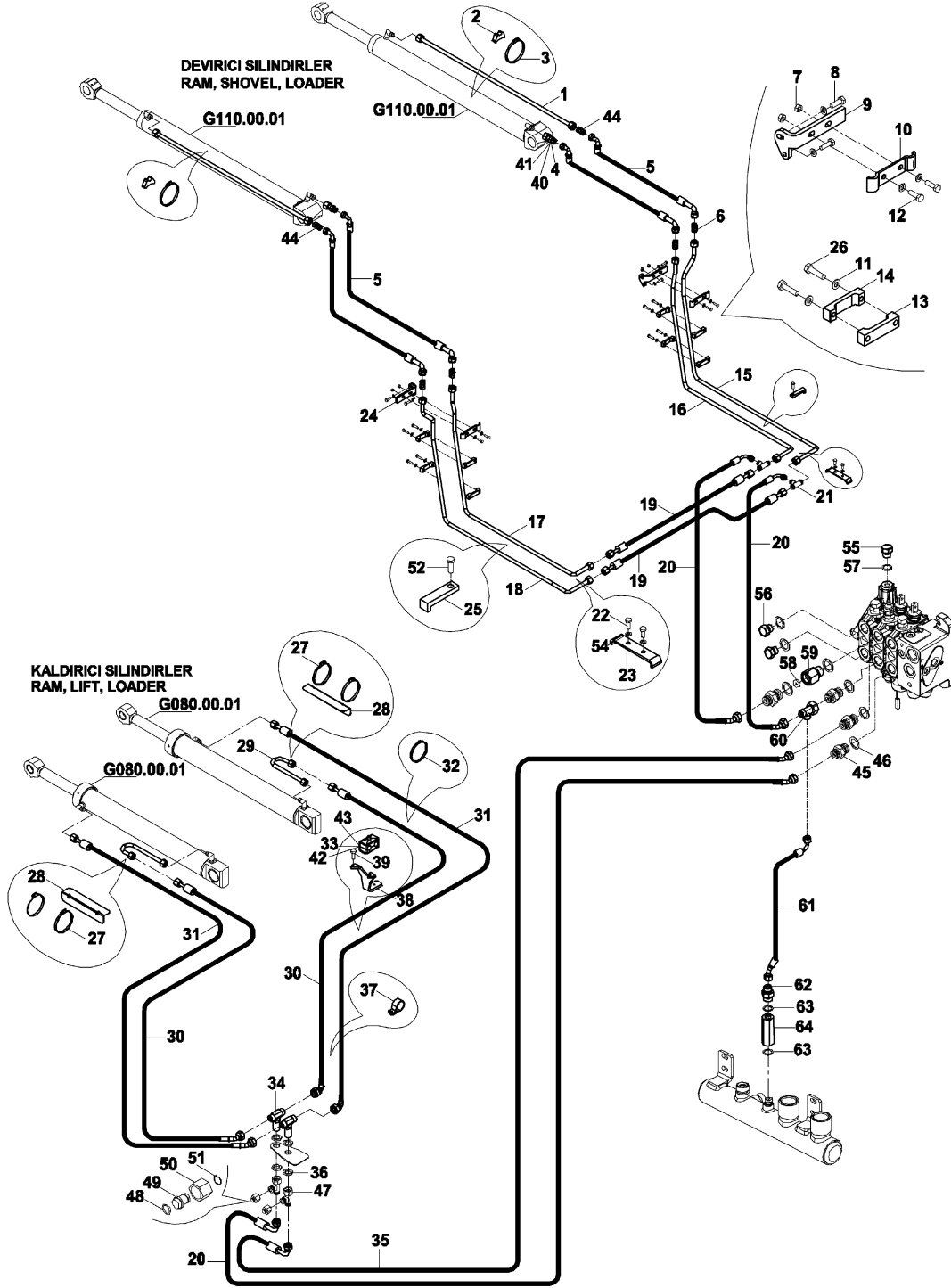
YÜKLEYİCİ HİDROLİK TESİSATI, MSS (TİP A & TİP B)
LOADER HYDRAULIC PIPING, MSS (TYPE A & TYPE B)



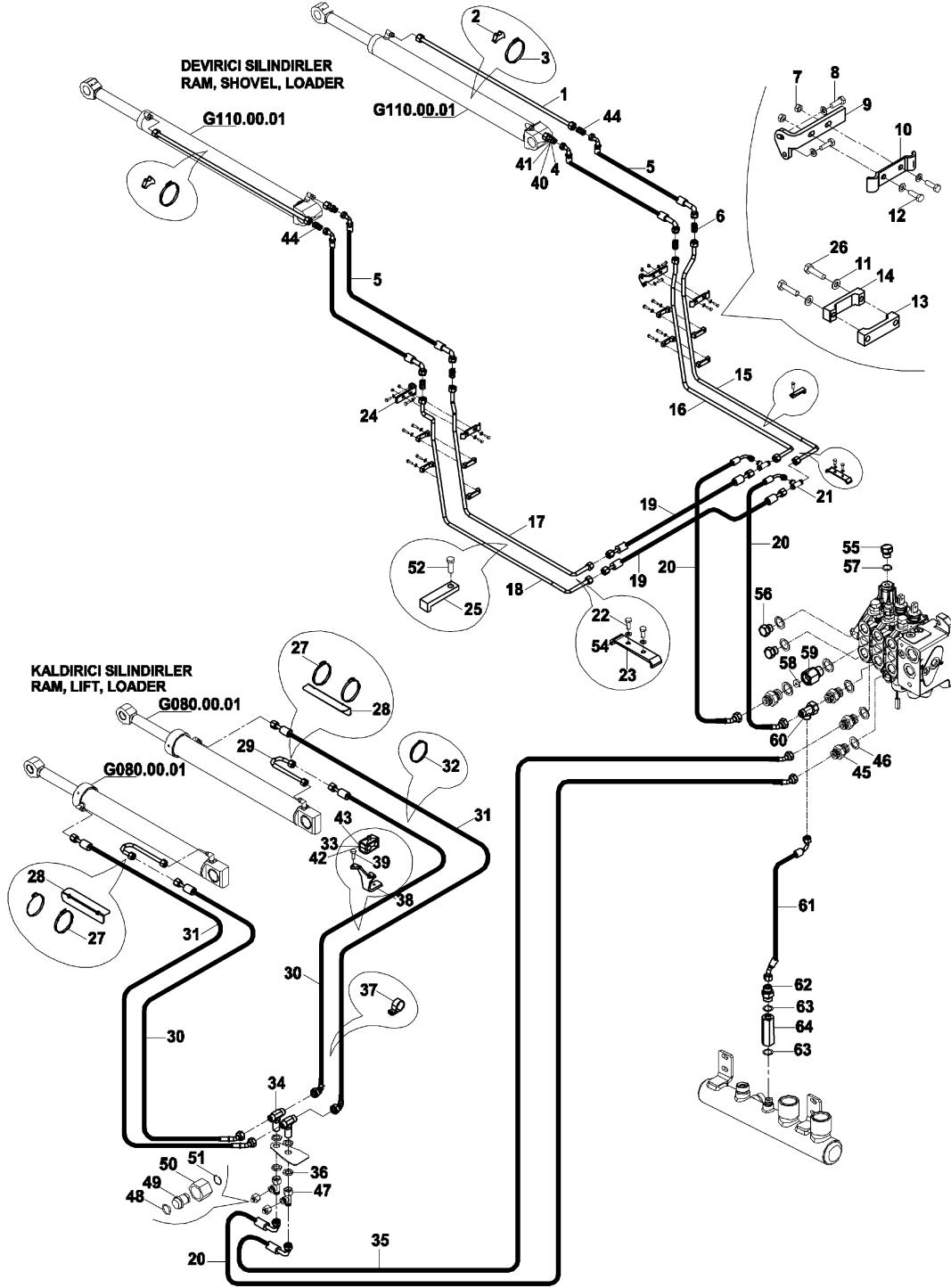
YÜKLEYİCİ HİDROLİK TESİSATI, MSS (TİP A & TİP B)
LOADER HYDRAULIC PIPING, MSS (TYPE A & TYPE B)



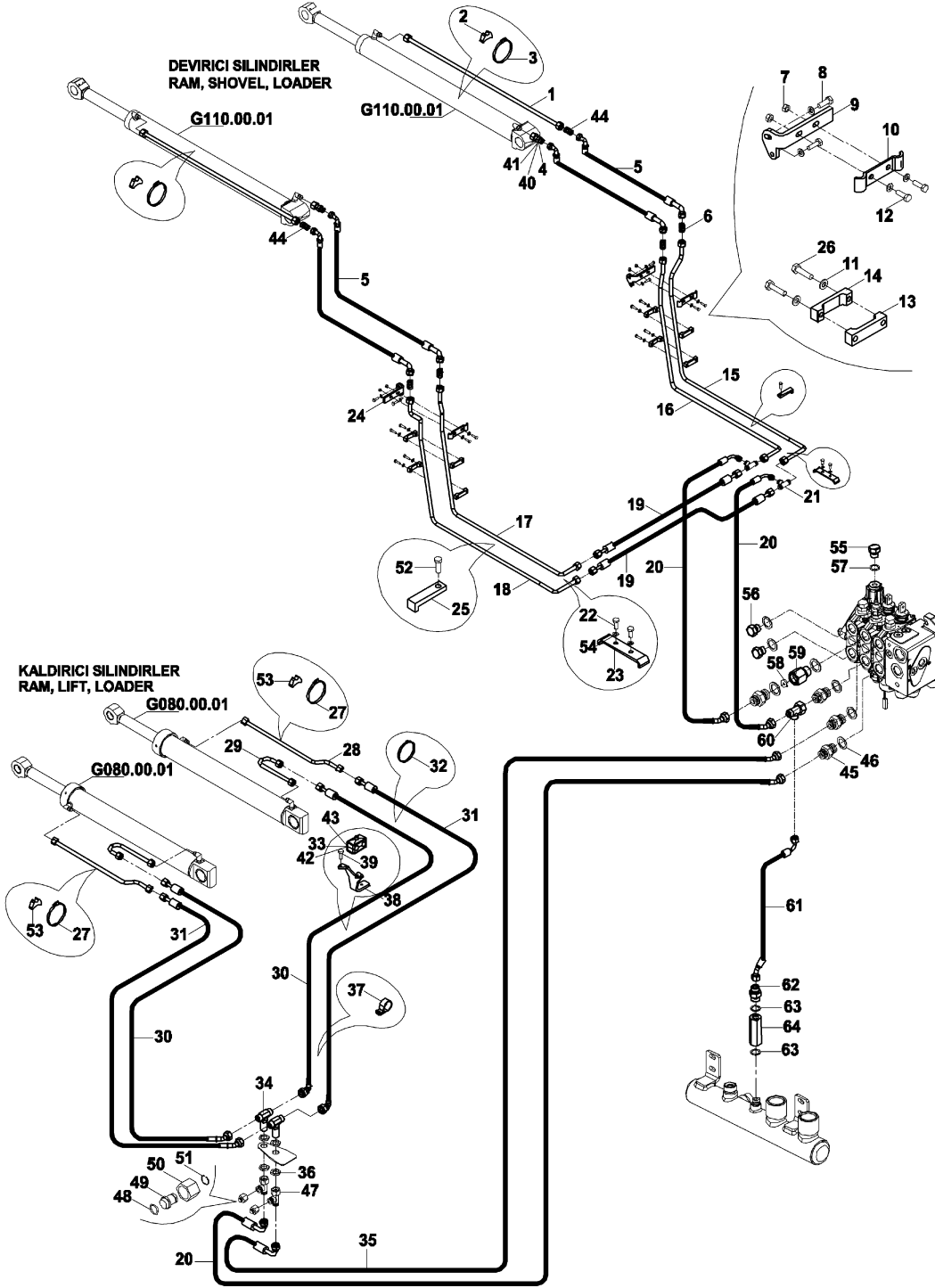
**YÜKLEYİCİ HİDROLİK TESİSATI, SABİT KEPÇE (TİP B & PİSTONLU POMPA)
LOADER HYD. PIPING, SHOVEL (TYPE B & PISTON PUMP)**



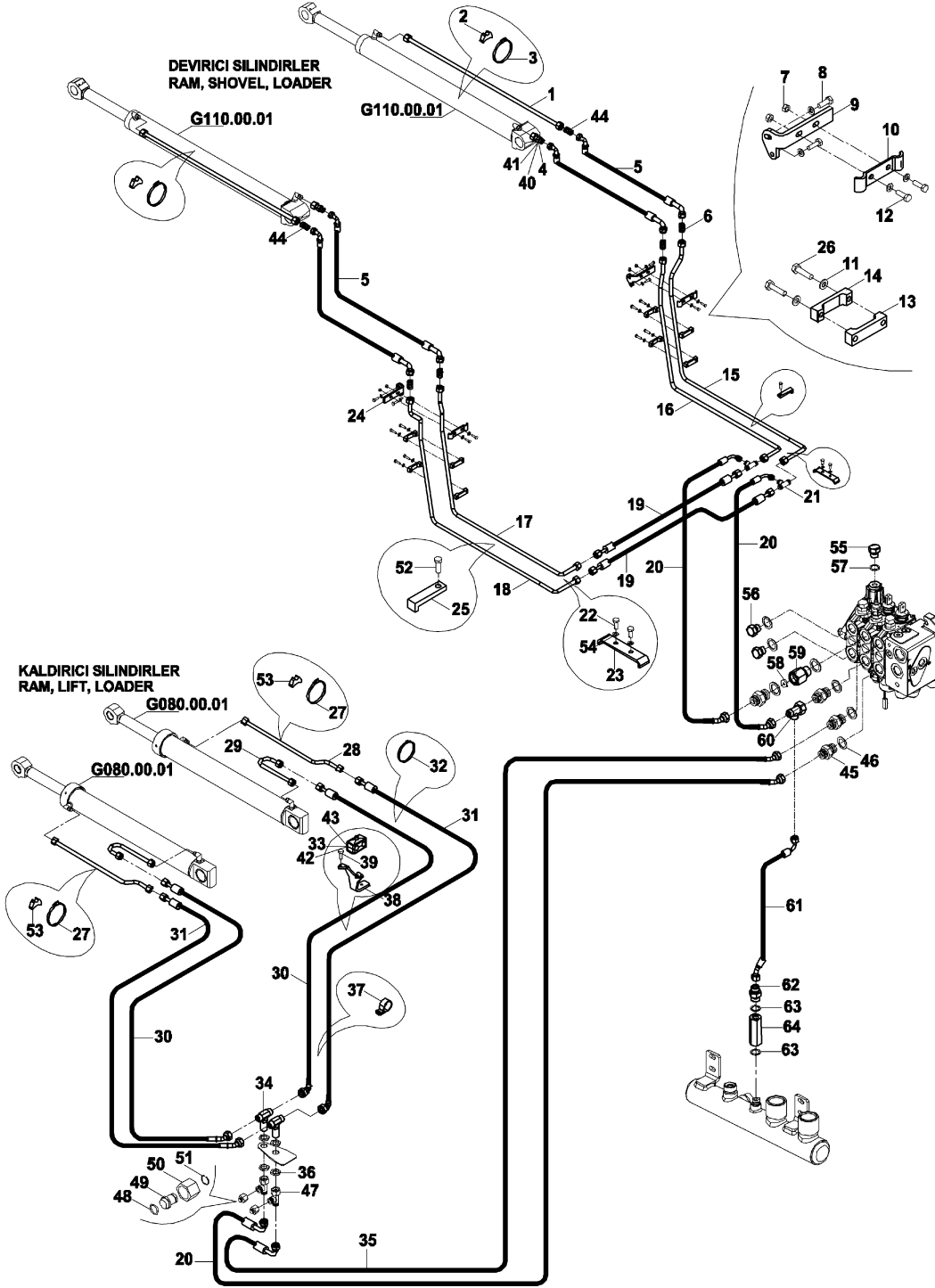
**YÜKLEYİCİ HİDROLİK TESİSATI, SABİT KEPÇE (TİP B & PİSTONLU POMPA)
LOADER HYD. PIPING, SHOVEL (TYPE B & PISTON PUMP)**



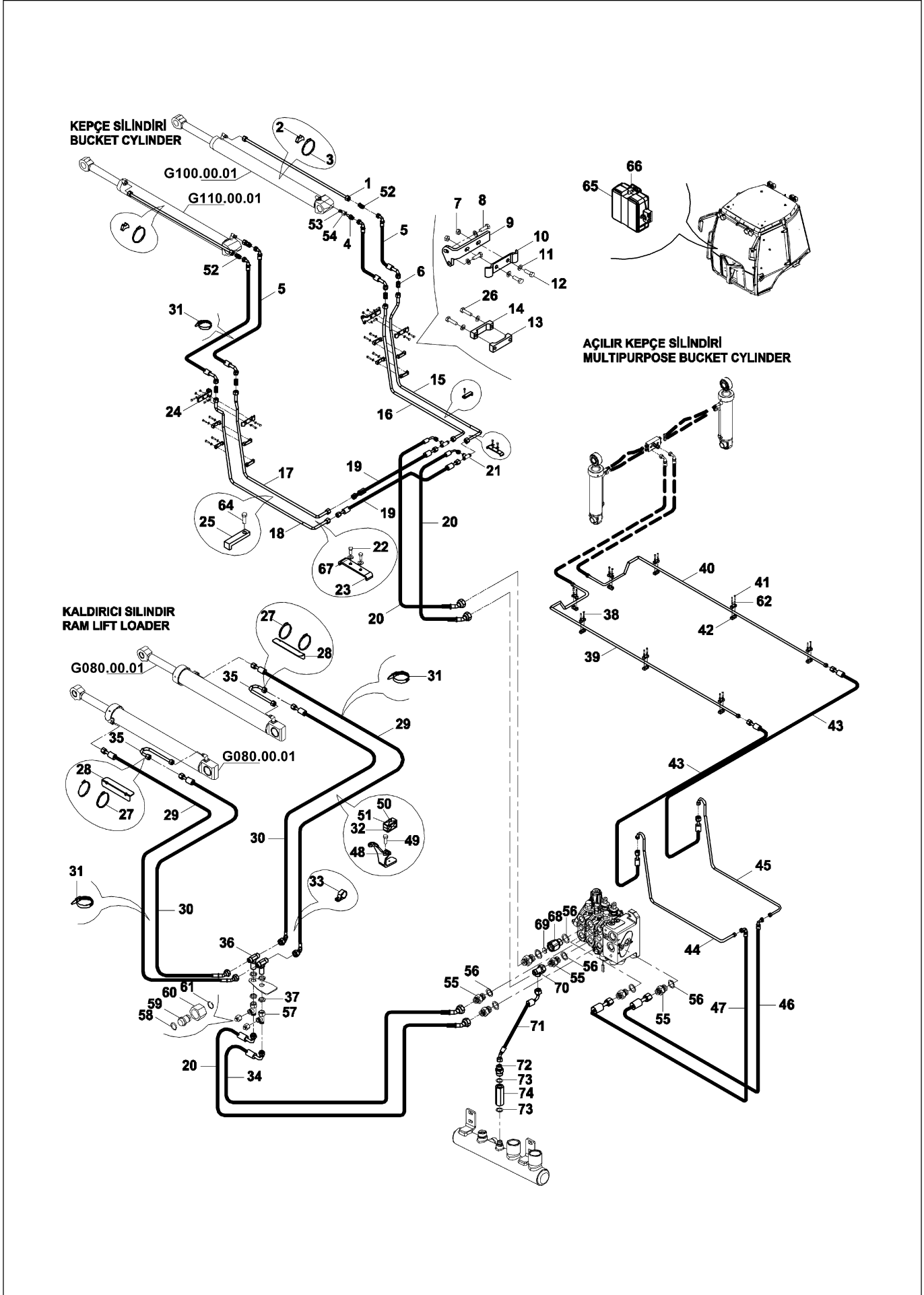
**YÜKLEYİCİ HİDROLİK TESİSATI, SABİT KEPÇE (TİP B & PİSTONLU POMPA)
LOADER HYD. PIPING, SHOVEL (TYPE B & PISTON PUMP)**



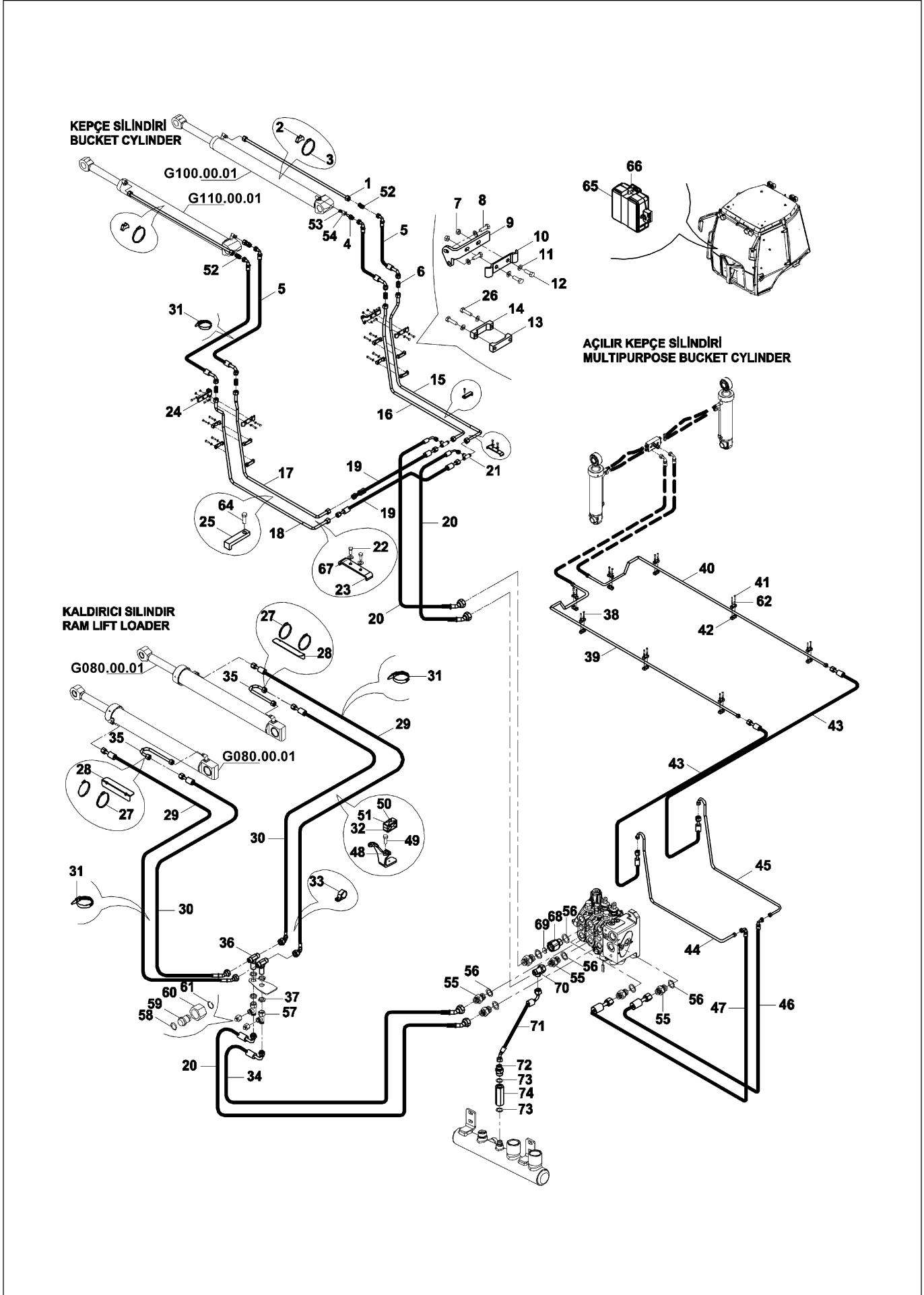
**YÜKLEYİCİ HİDROLİK TESİSATI, SABİT KEPÇE (TİP B & PİSTONLU POMPA)
LOADER HYD. PIPING, SHOVEL (TYPE B & PISTON PUMP)**



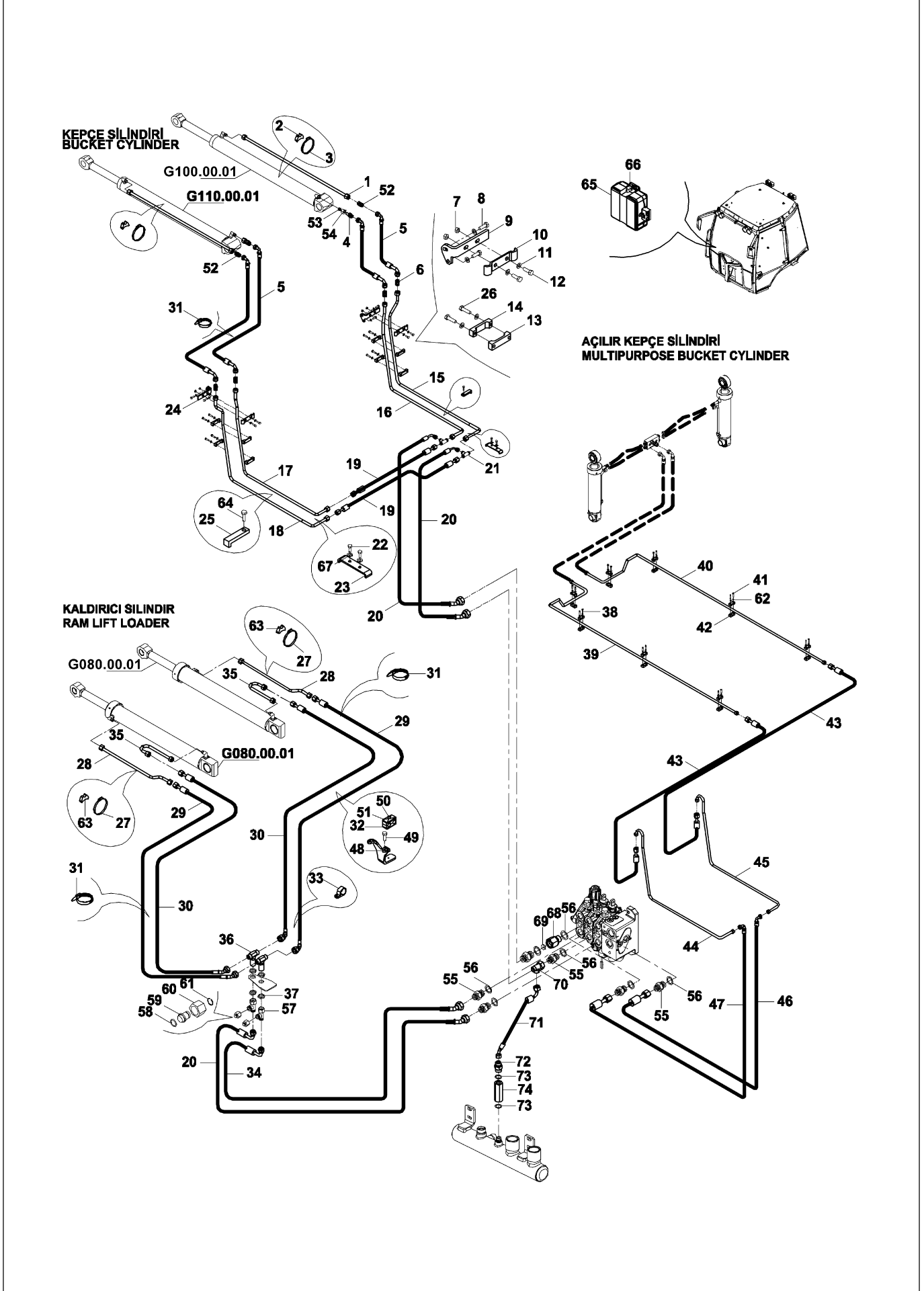
YÜKLEYİCİ HİDROLİK TESİSAT & AÇILIR KEPÇELİ (TİP B & PİSTONLU POMPA) LOADER HYDRAULIC PIPING & MULTIPURPOSE BUCKET (TYPE B & PISTON PUMP)



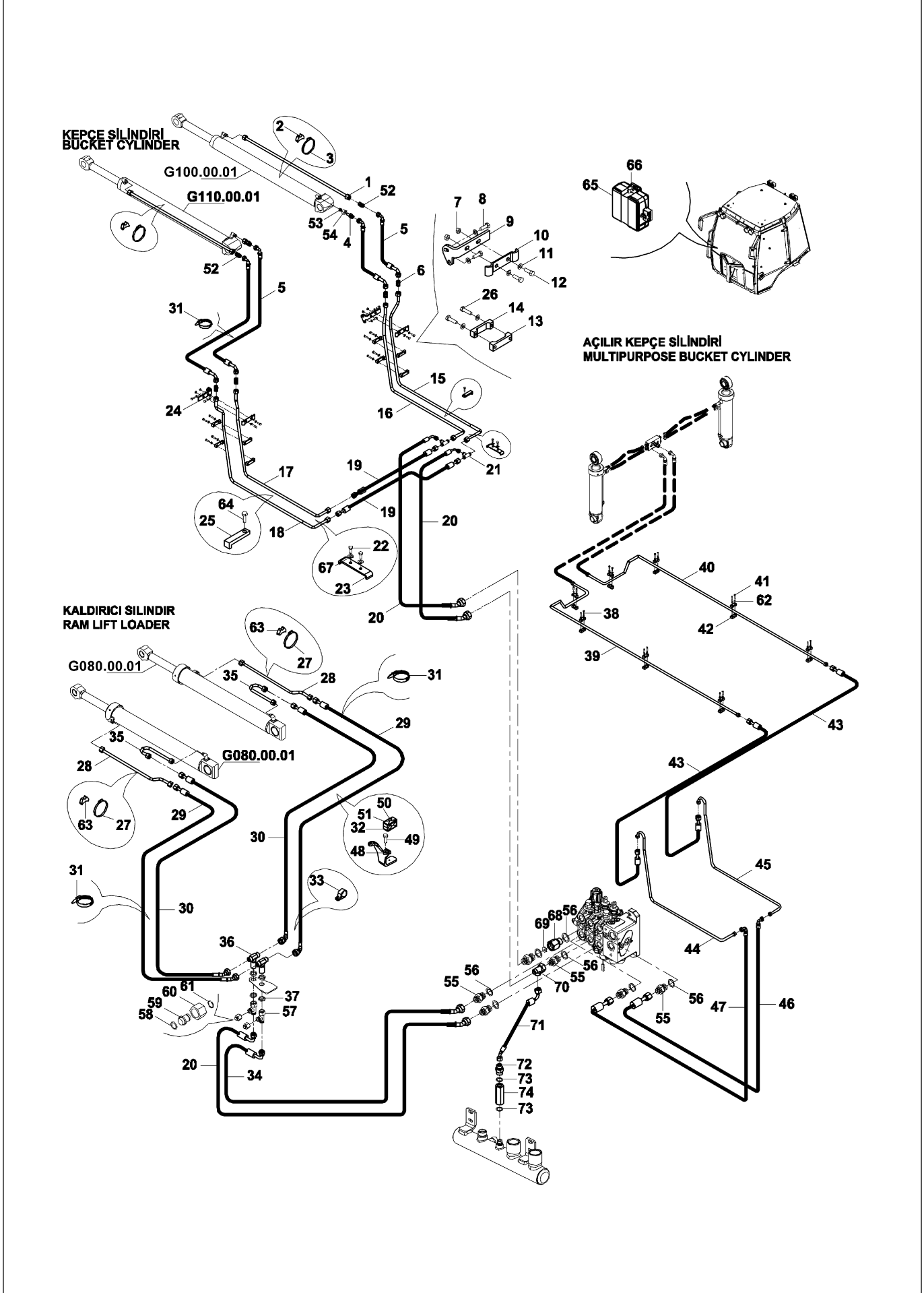
YÜKLEYİCİ HİDROLİK TESİSAT & AÇILIR KEPÇELİ (TİP B & PİSTONLU POMPA) LOADER HYDRAULIC PIPING & MULTIPURPOSE BUCKET (TYPE B & PISTON PUMP)



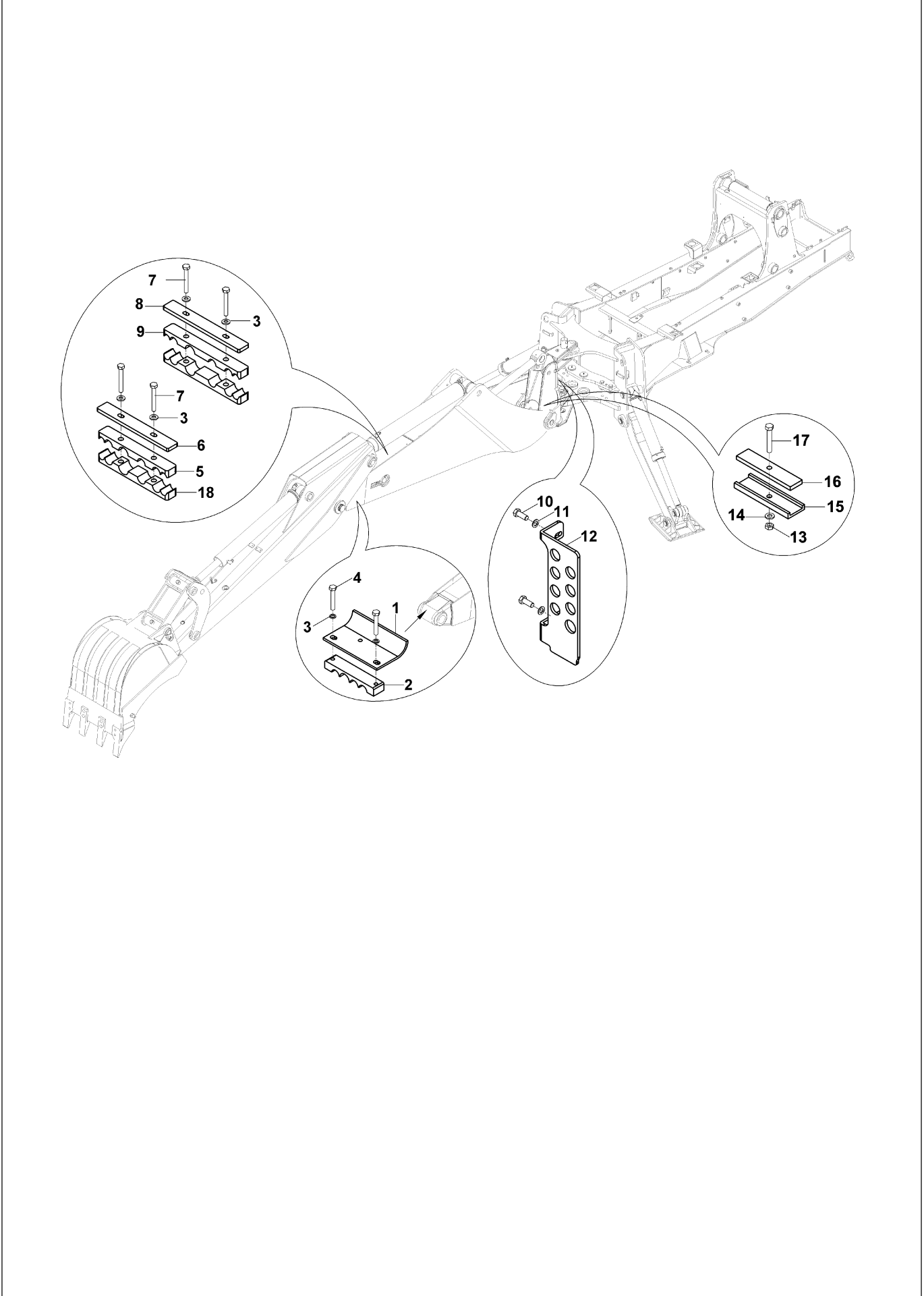
YÜKLEYİCİ HİDROLİK TESİSAT & AÇILIR KEPÇELİ (TİP B & PİSTONLU POMPA) LOADER HYDRAULIC PIPING & MULTIPURPOSE BUCKET (TYPE B & PISTON PUMP)



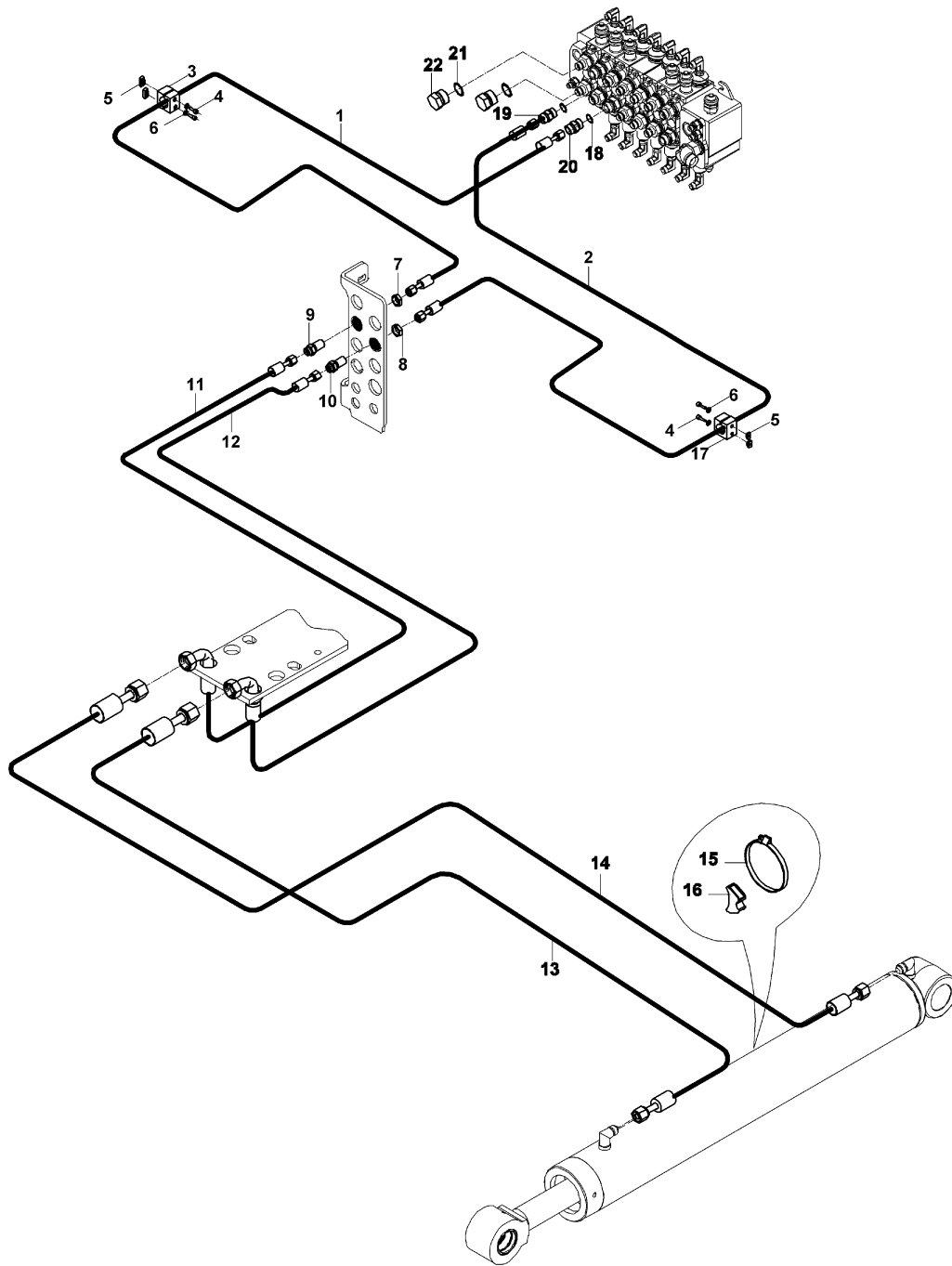
YÜKLEYİCİ HİDROLİK TESİSAT & AÇILIR KEPÇELİ (TİP B & PİSTONLU POMPA) LOADER HYDRAULIC PIPING & MULTIPURPOSE BUCKET (TYPE B & PISTON PUMP)



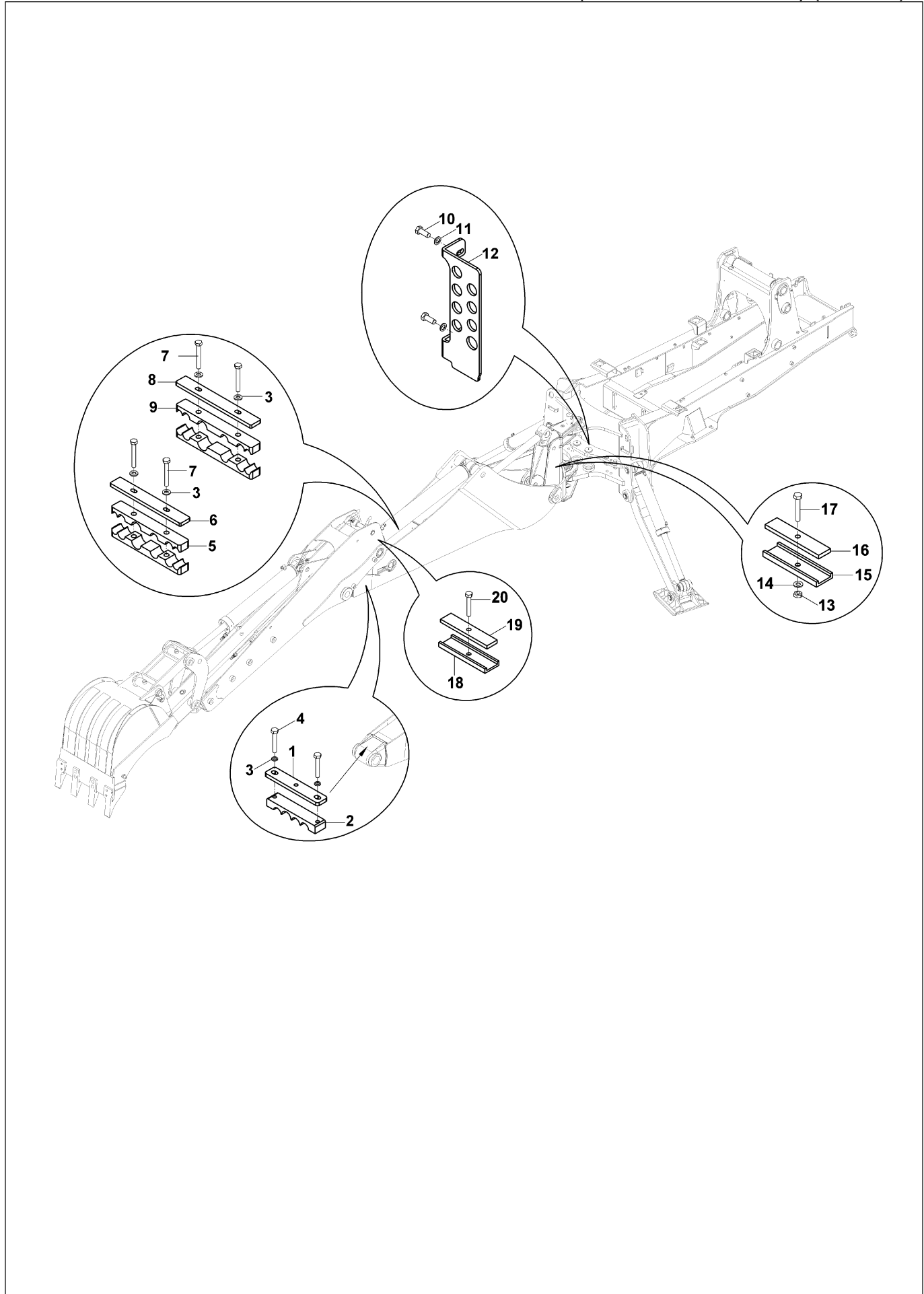
KAZICI HİDROLİK TESİSATI, KEPÇE SİLİNDİRİ (KAZ AYAK & TİP B) (OP)
BACKHOE HYD. PIPING, BUCKET CYLINDER (WING TYPE STABILIZER & TYPE B) (OP)



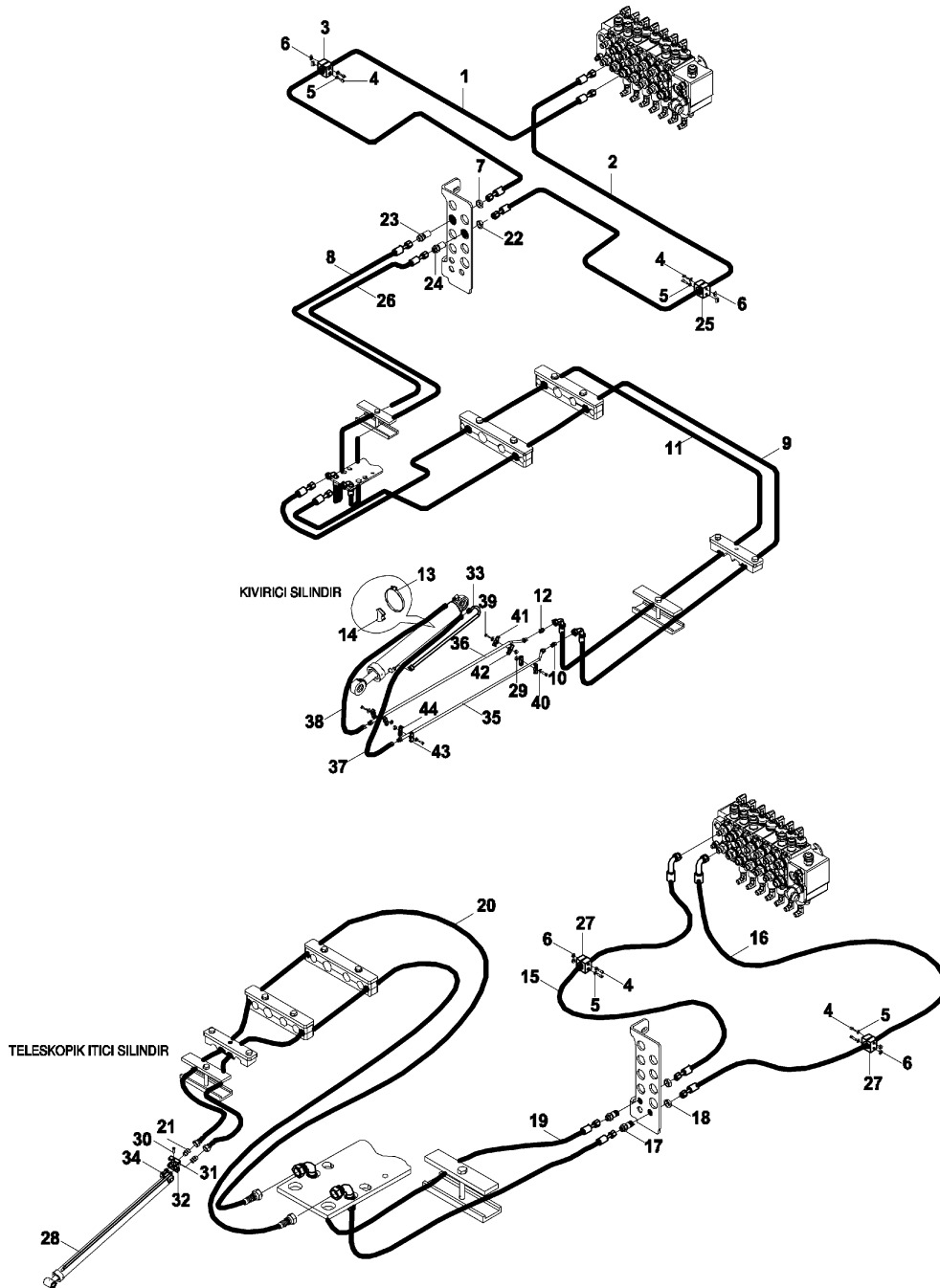
KAZICI HİDROLİK TESİSATI, KEPÇE SİLİNDİRİ (KAZ AYAK & TİP B) (OP)
BACKHOE HYD. PIPING, BUCKET CYLINDER (WING TYPE STABILIZER & TYPE B) (OP)



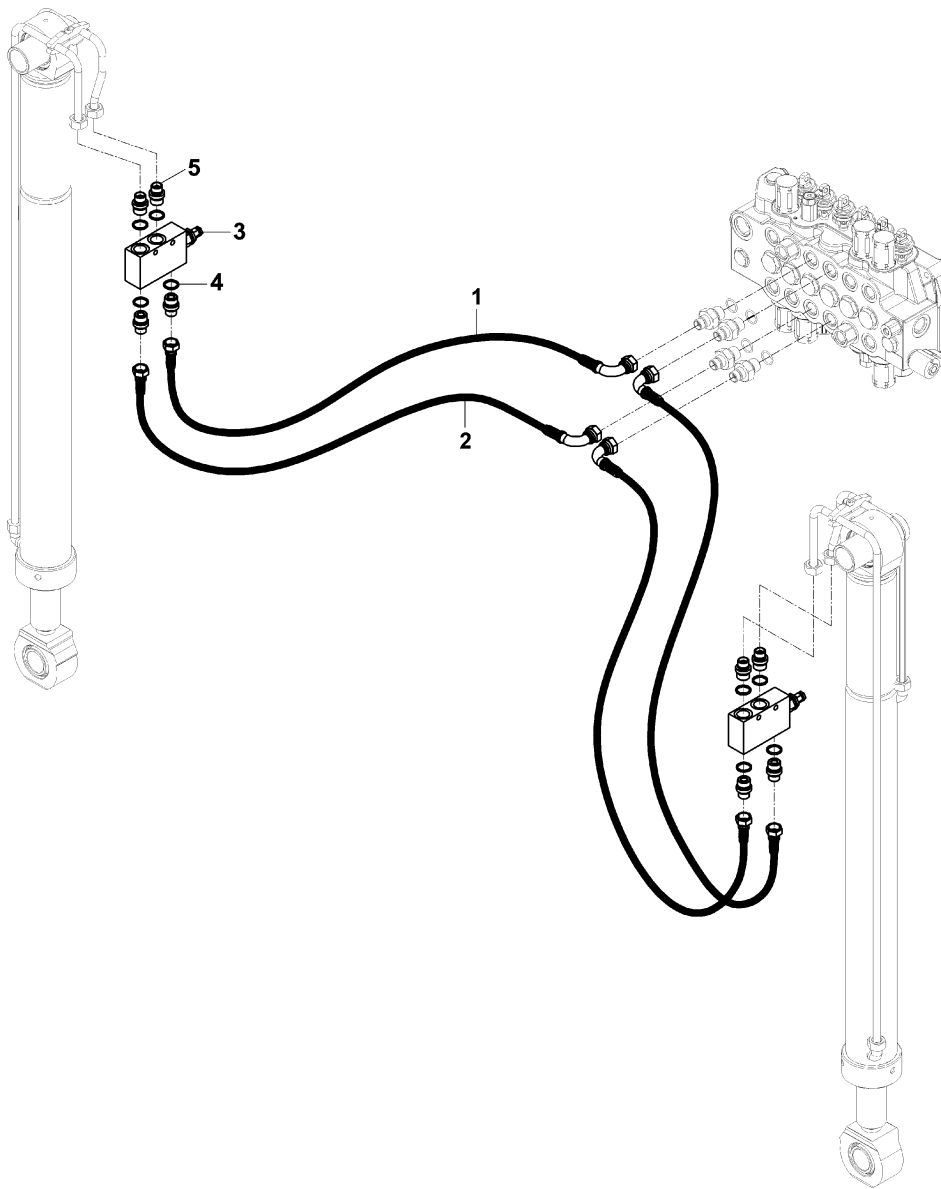
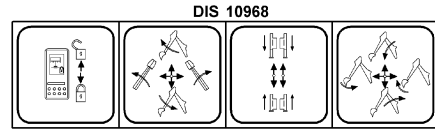
KAZICI HİDROLİK TESİSATI, KEPÇE SİLİNDİRİ (TELESKOPİK BOM) (TİP B) (OP)
BACKHOE HYDRAULIC PIPING, BUCKET CYLINDER (TELESCOPIC BOOM) (TYPE B)



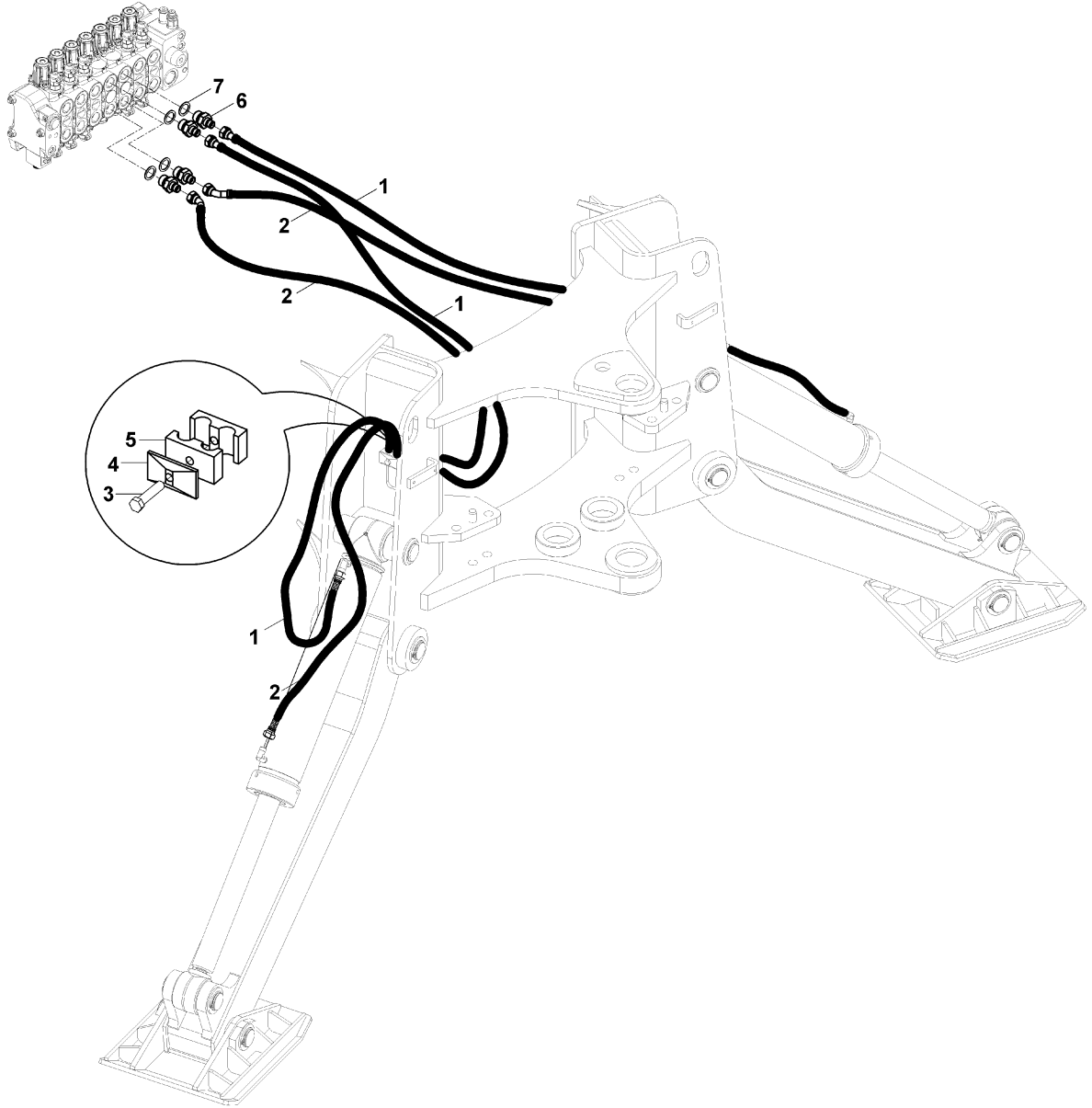
KAZICI HİDROLİK TESİSATI, KEPÇE SİLİNDİRİ (TELESKOPIK BOM) (TİP B) (OP)
BACKHOE HYDRAULIC PIPING, BUCKET CYLINDER (TELESCOPIC BOOM) (TYPE B)



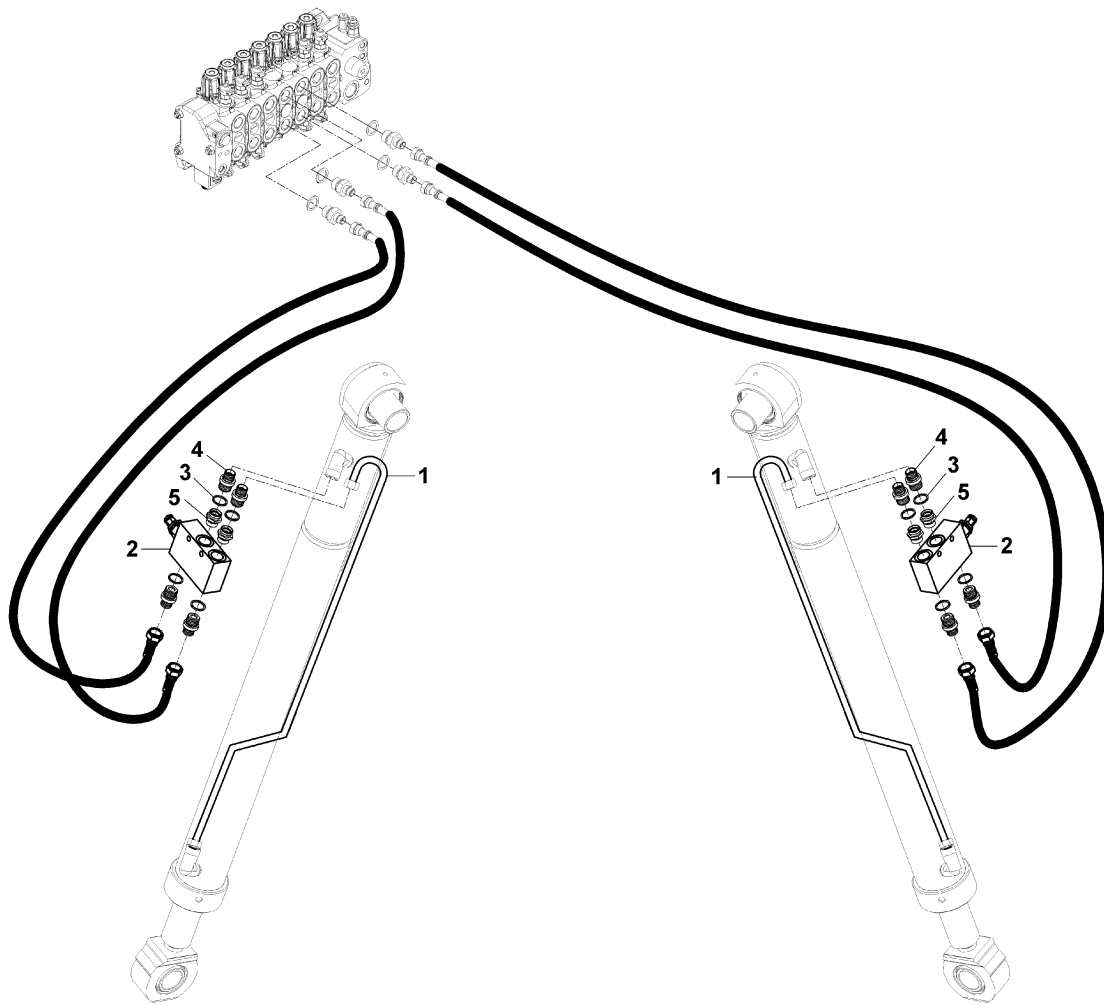
HİDROLİK TESİSAT, AYAK SİLİNDİRİ (KİLİT VALFLİ) (OP)
HYD. PIPING, STABILIZER CYLINDER (WITH SAFETY LOCKING VALVE) (OP)



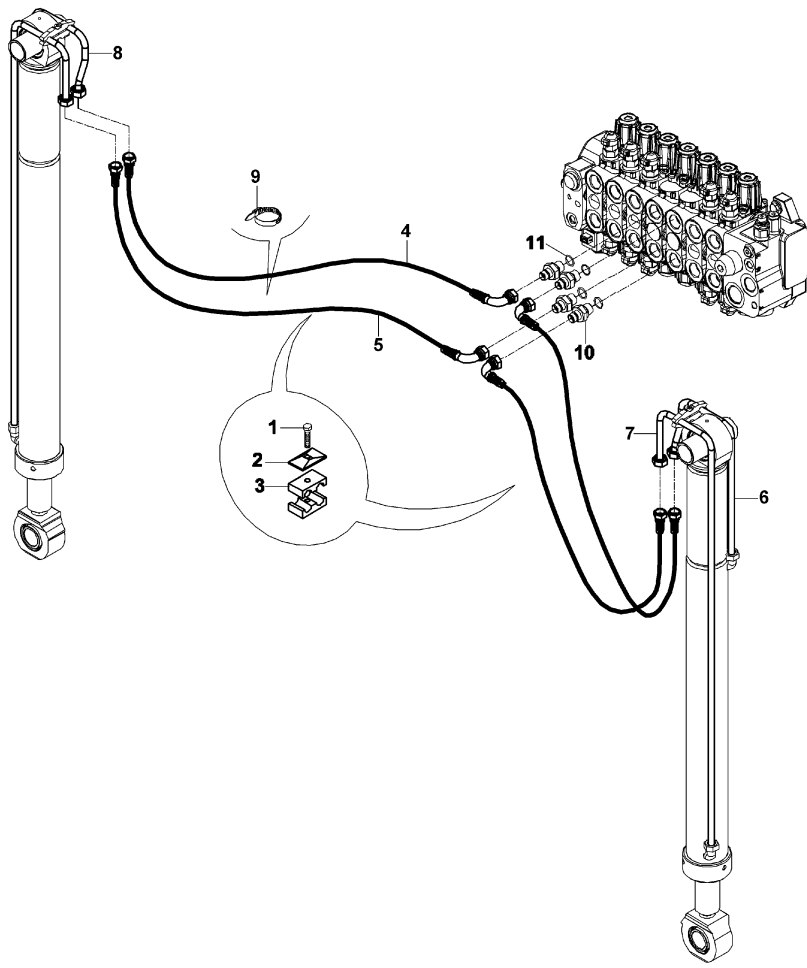
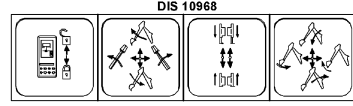
HİDROLİK TESİSATI, AYAK SİLİNDİRİ (KAZ AYAK) (OP)
HYDRAULIC PIPING, RAM, STABILIZER (WING TYPE) (OP)



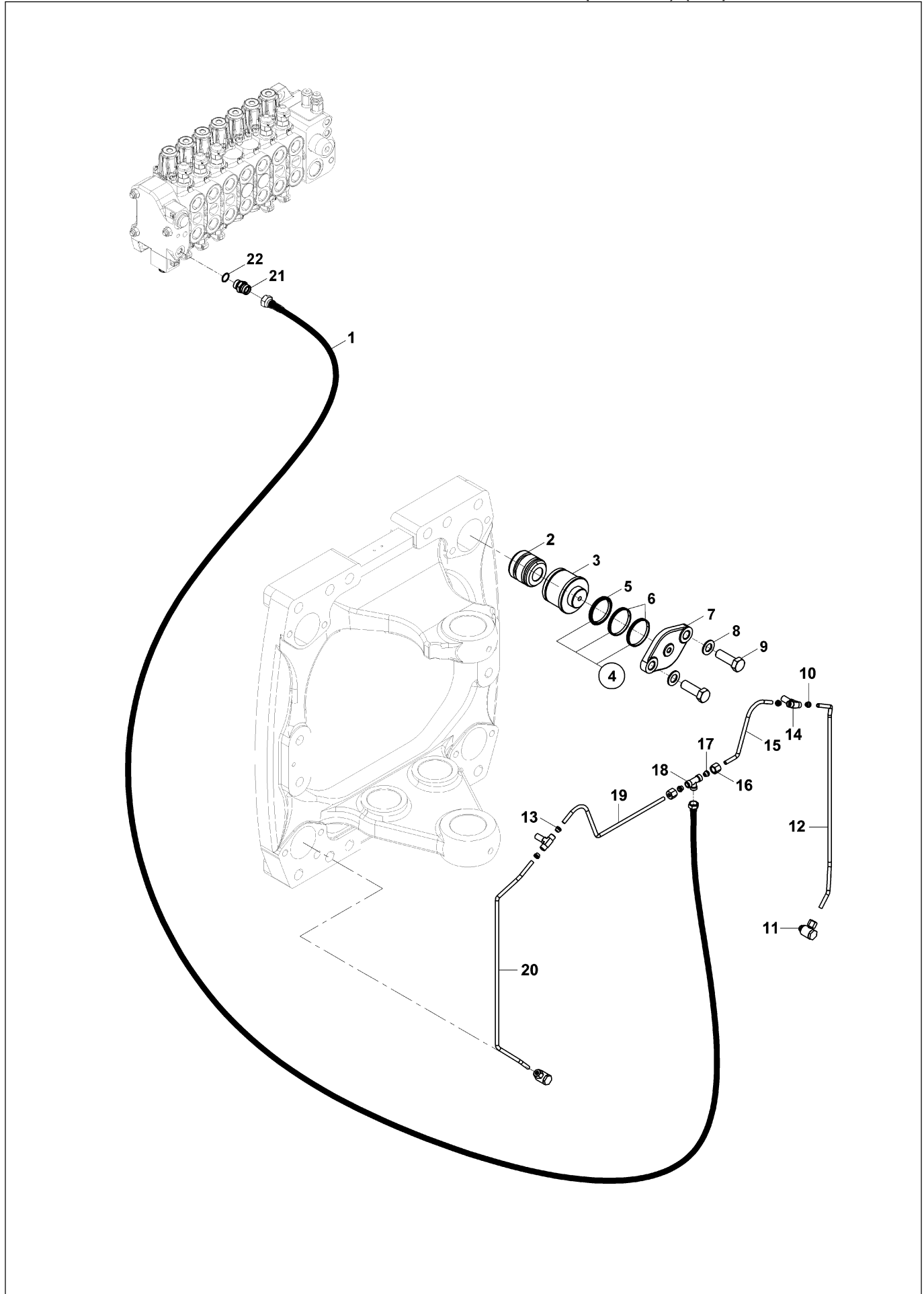
HİDROLİK TESİSATI, AYAK SİLİNDİRİ (KAZAYAK & KİLİT VALFLİ) (OP)
HYD. PIPING, STABILIZER CYLINDER (WING TYPE & WITH SAFETY LOCKING VALVE)



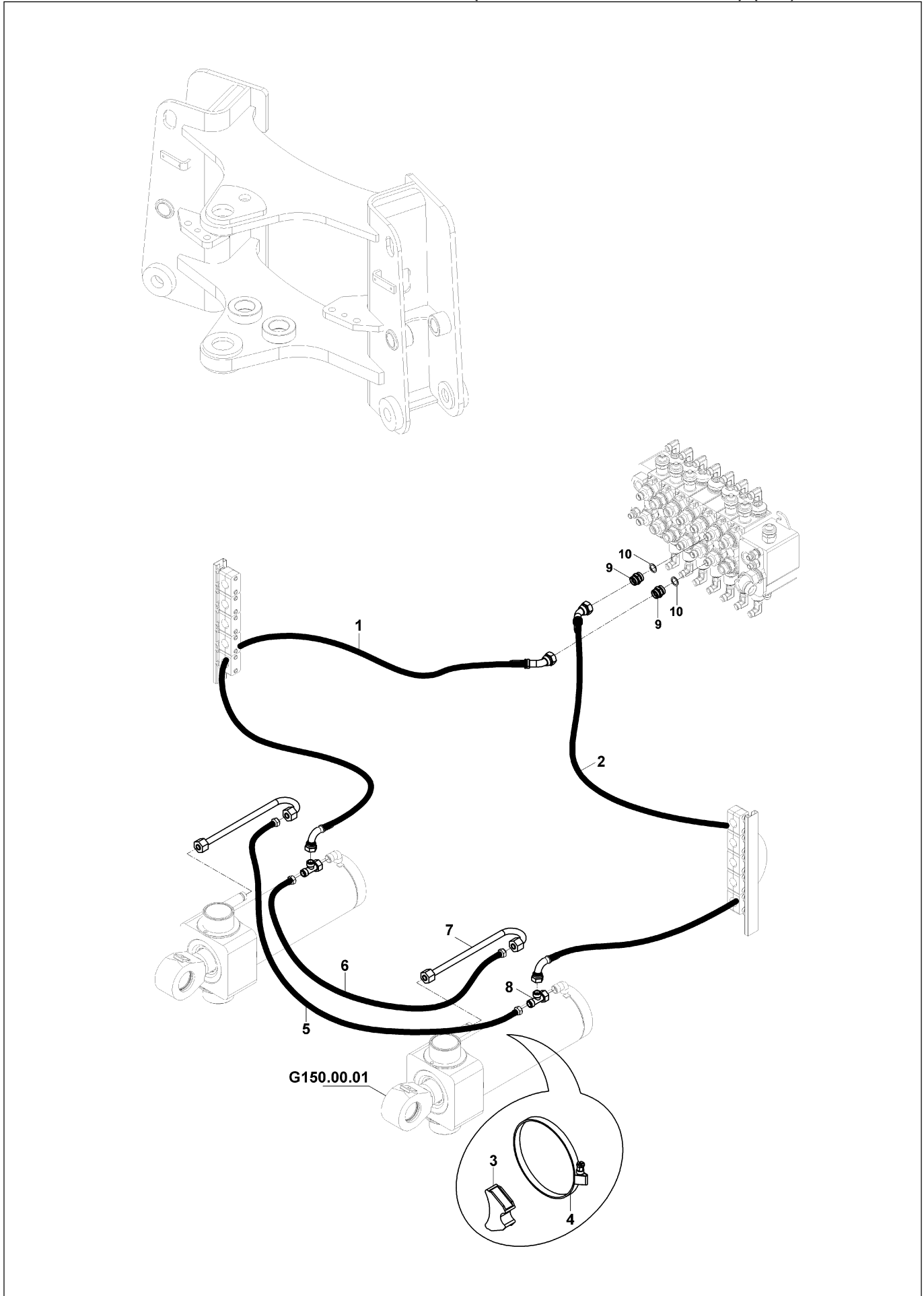
HİDROLİK TESİSAT, AYAK SİLİNDİRİ (TİP B)
HYDRAULIC PIPING, STABILIZER CYLINDER (TYPE B)



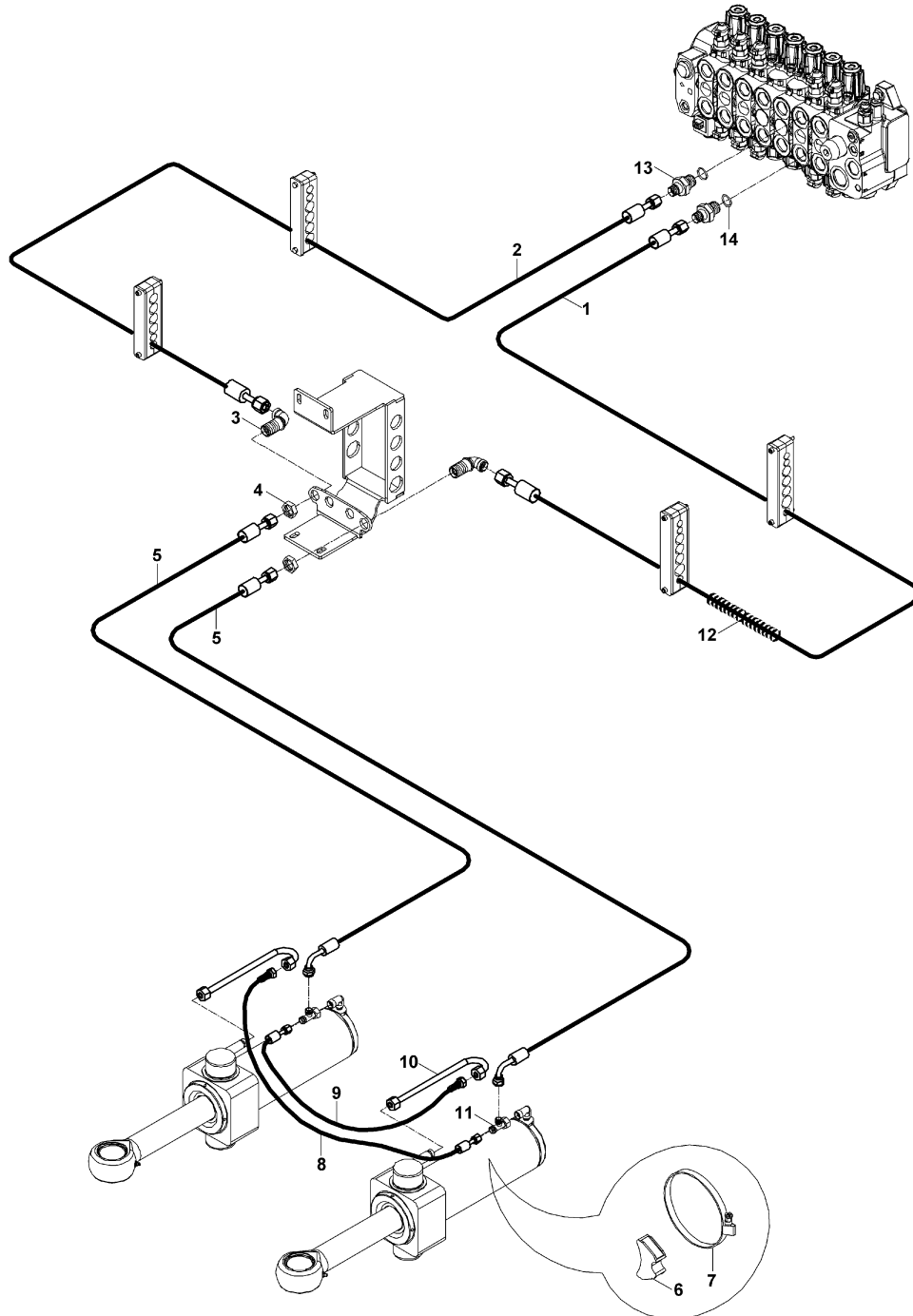
HİDROLİK TESİSATI, SIKMA PİSTONU (TİP B) (OP)
 HYDRAULIC PIPING, HYDROCLAMP (TYPE B) (OP)



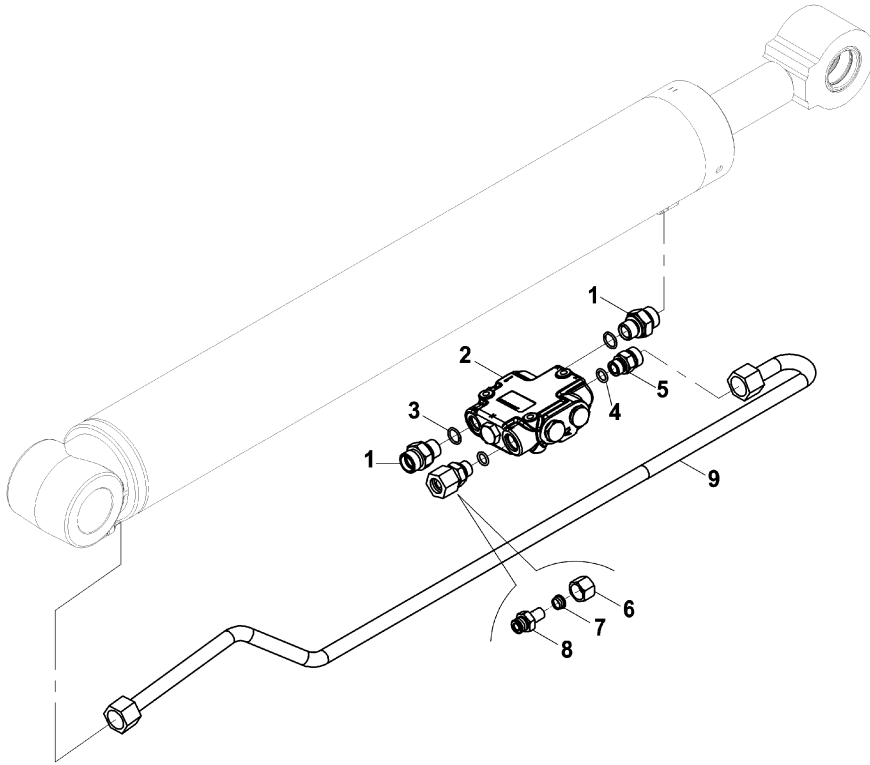
HİDROLİK TESİSAT, DÖNÜŞ SİLİNDİRİ (KAZ AYAK) (OP)
HYD. PIPING, SWING CYLINDER (WING TYPE STABILIZER) (OP)



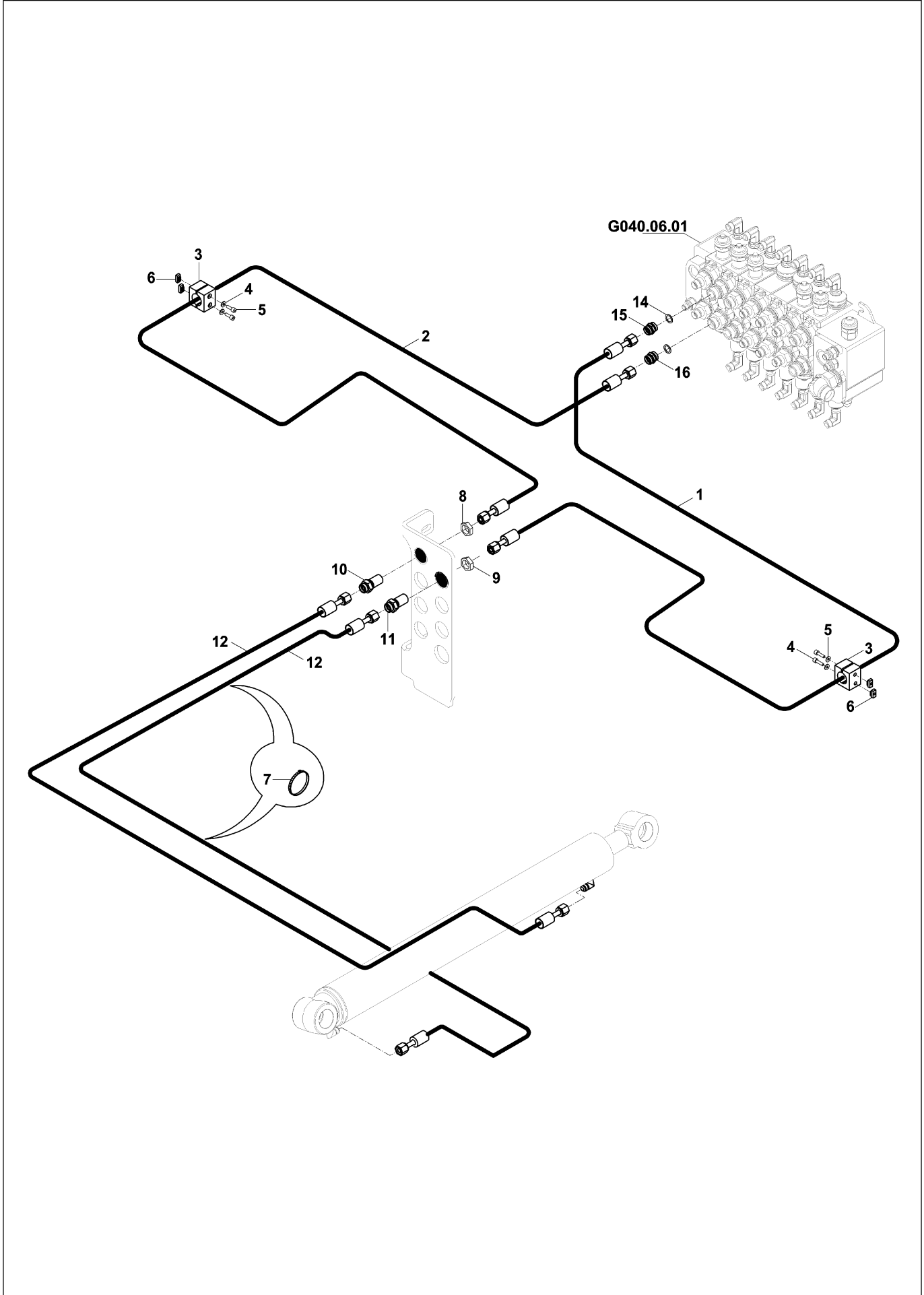
HİDROLİK TESİSAT, DÖNÜŞ SİLİNDİRİ (TİP B) HYDRAULIC PIPING, SWING CYLINDER (TYPE B)



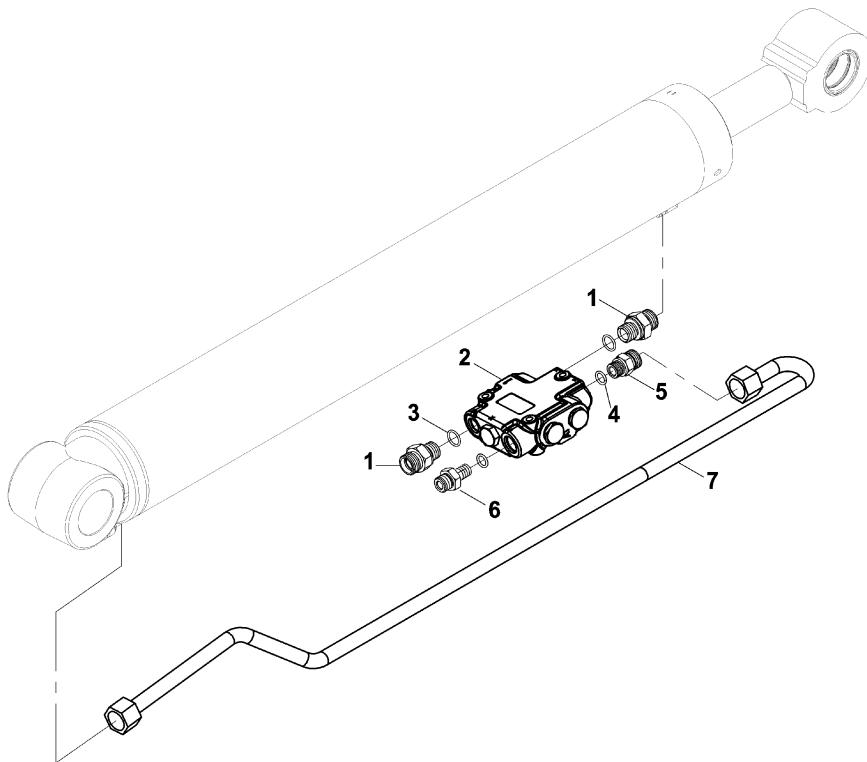
KAZICI HİDROLİK TESİSATI, BOM SİLİNDİRİ (EMNİYET VALFLİ) (OP)
BACKHOE HYD. PIPING, BOOM CYLINDER (WITH SAFETY LOCK VALVE) (OP)



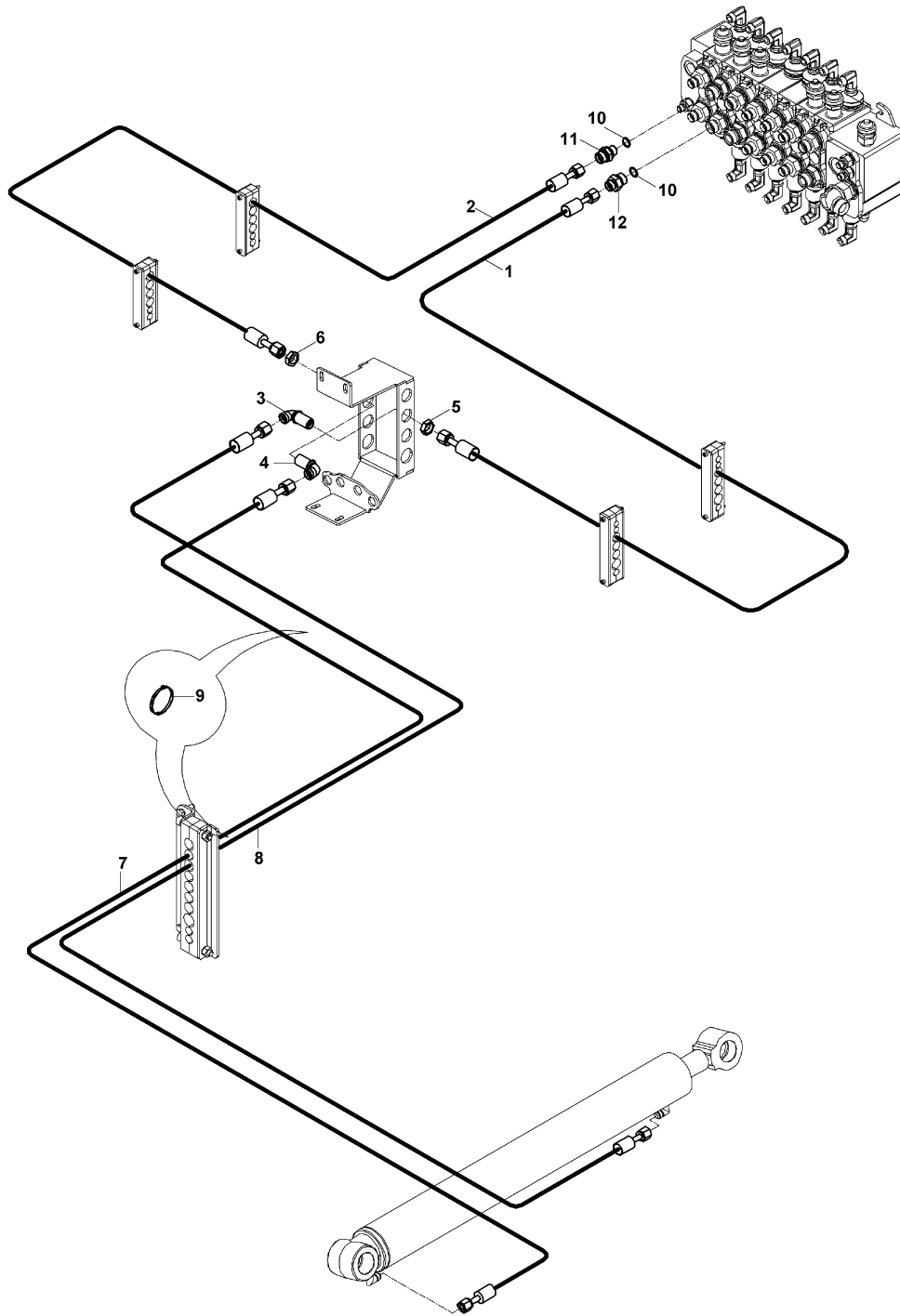
KAZICI HİDROLİK TESİSATI, BOM SİLİNDİRİ (KAZ AYAK) (OP)
BACKHOE HYDRAULIC PIPING, BOOM CYLINDER (WING TYPE STABILIZER) (OP)



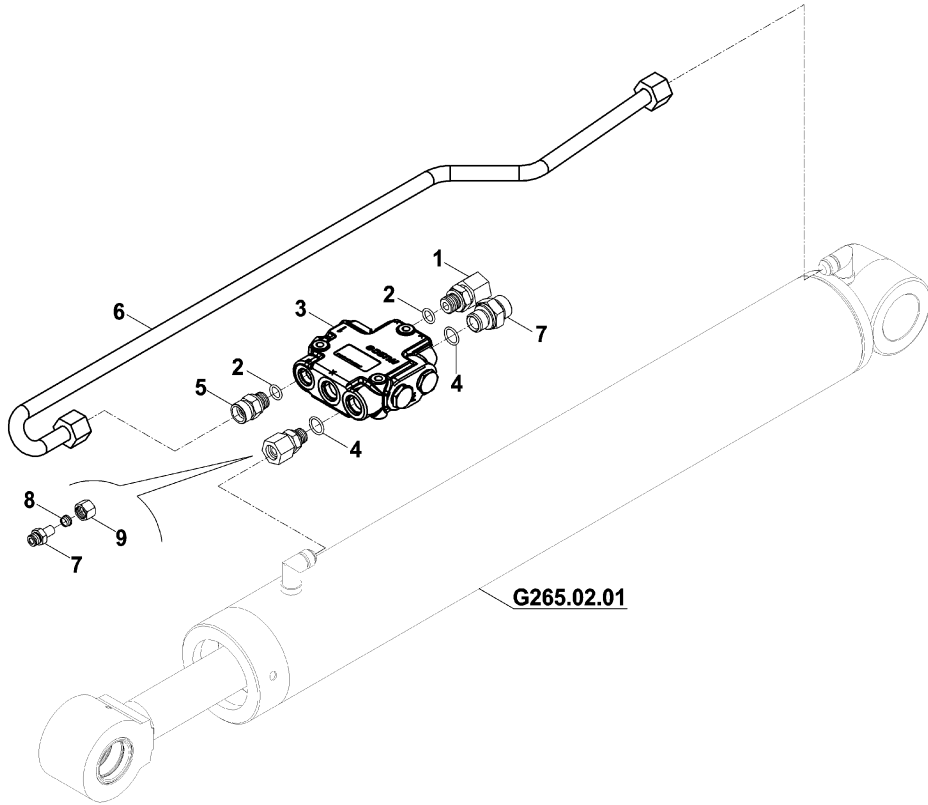
**KAZICI HİDROLİK TESİSATI, BOM SİLİNDİRİ (EMNİYET VALFLİ, KAZAYAK) (OP)
BACKHOE HYD.PIPING,BOOM CYLINDER(WITH SAFETY LOCK VALVE,WING TYPE**



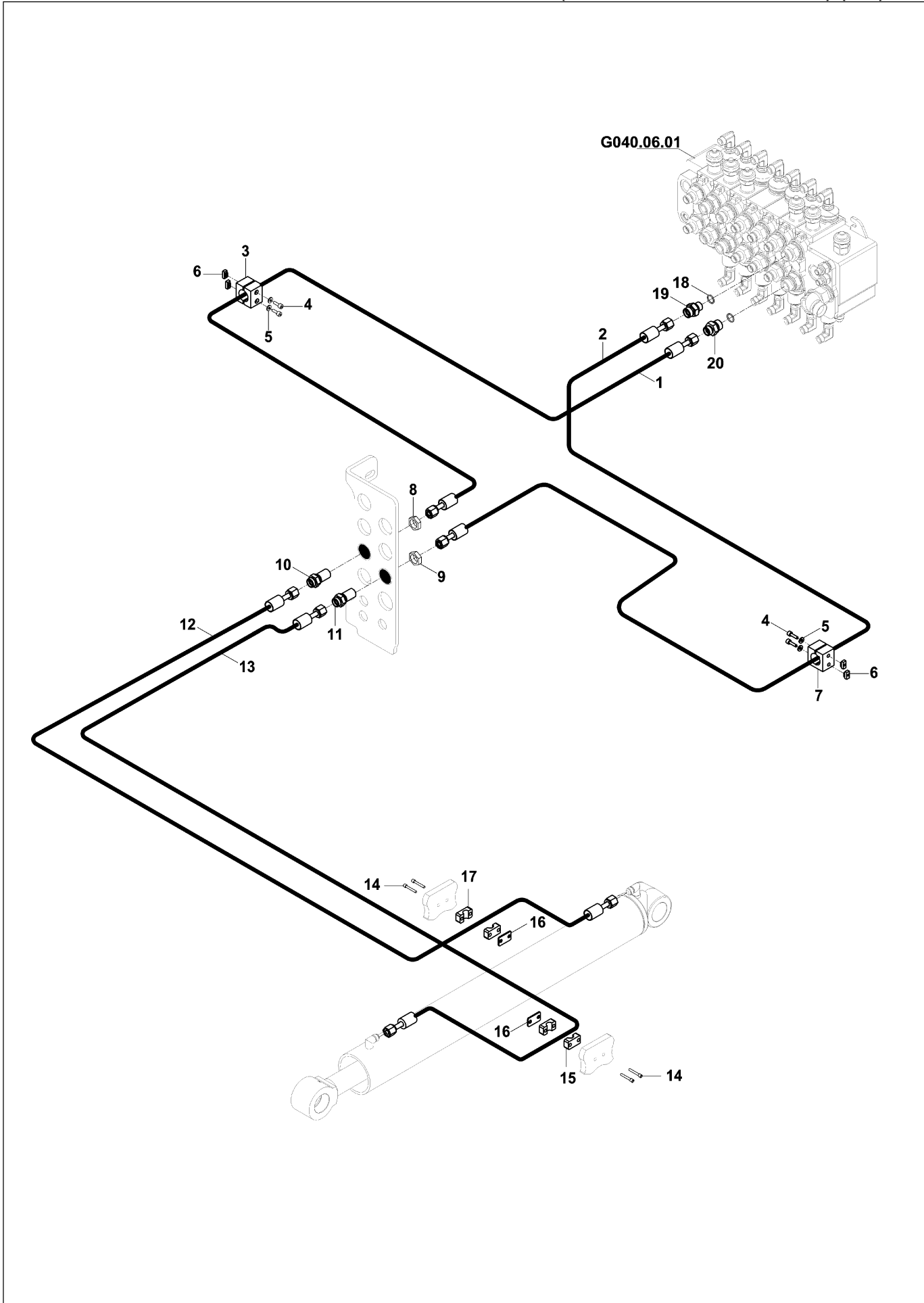
KAZICI HİDROLİK TESİSATI, BOM SİLİNDİRİ (TİP B)
BACKHOE HYDRAULIC PIPING, BOOM CYLINDER (TYPE B)



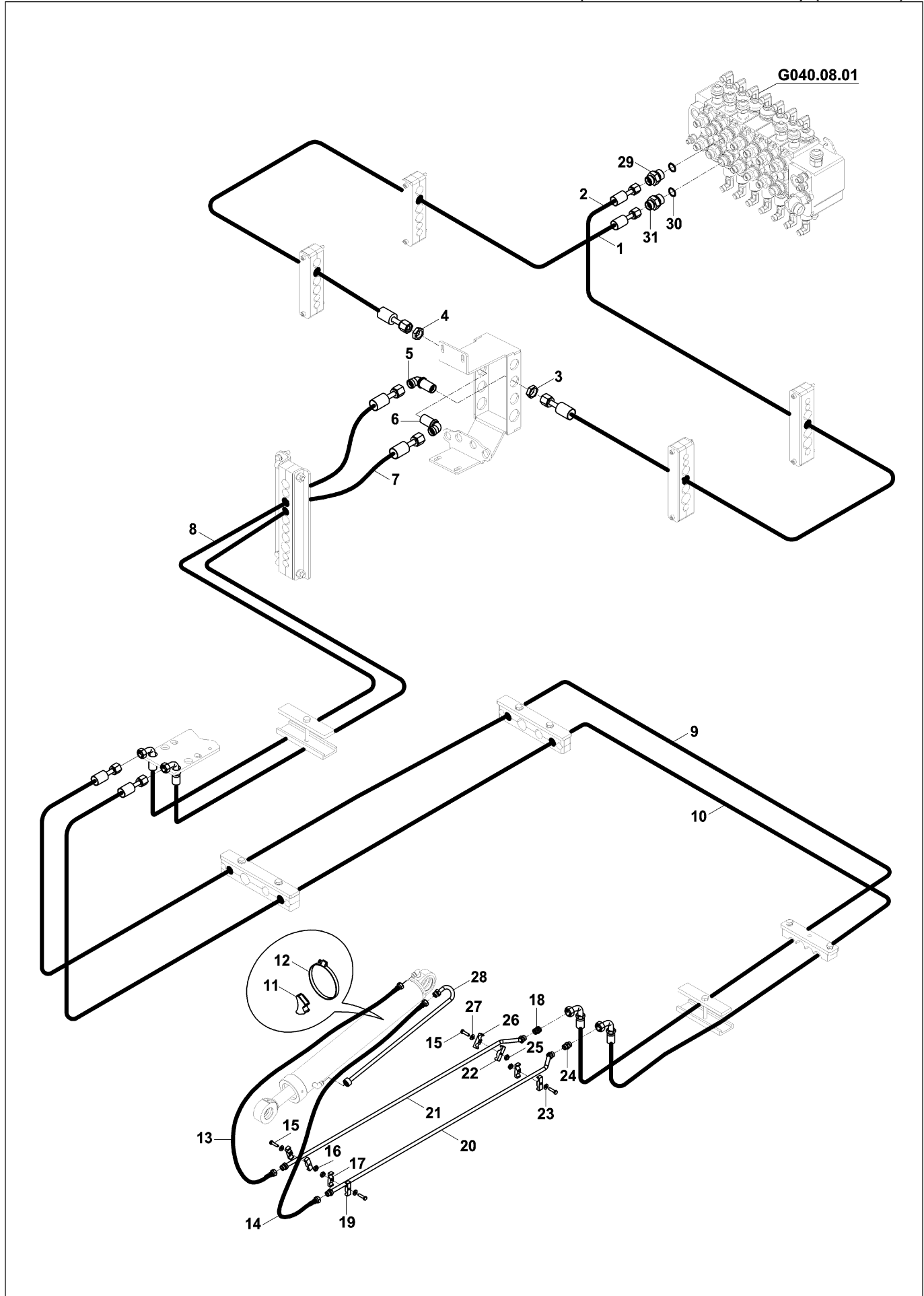
KAZICI HİDROLİK TESİSATI, ARM SİLİNDİRİ (EMNİYET VALFLİ) (OP)
BACKHOE HYD. PIPING, ARM CYLINDER (WITH SAFETY LOCK VALVE) (OP)



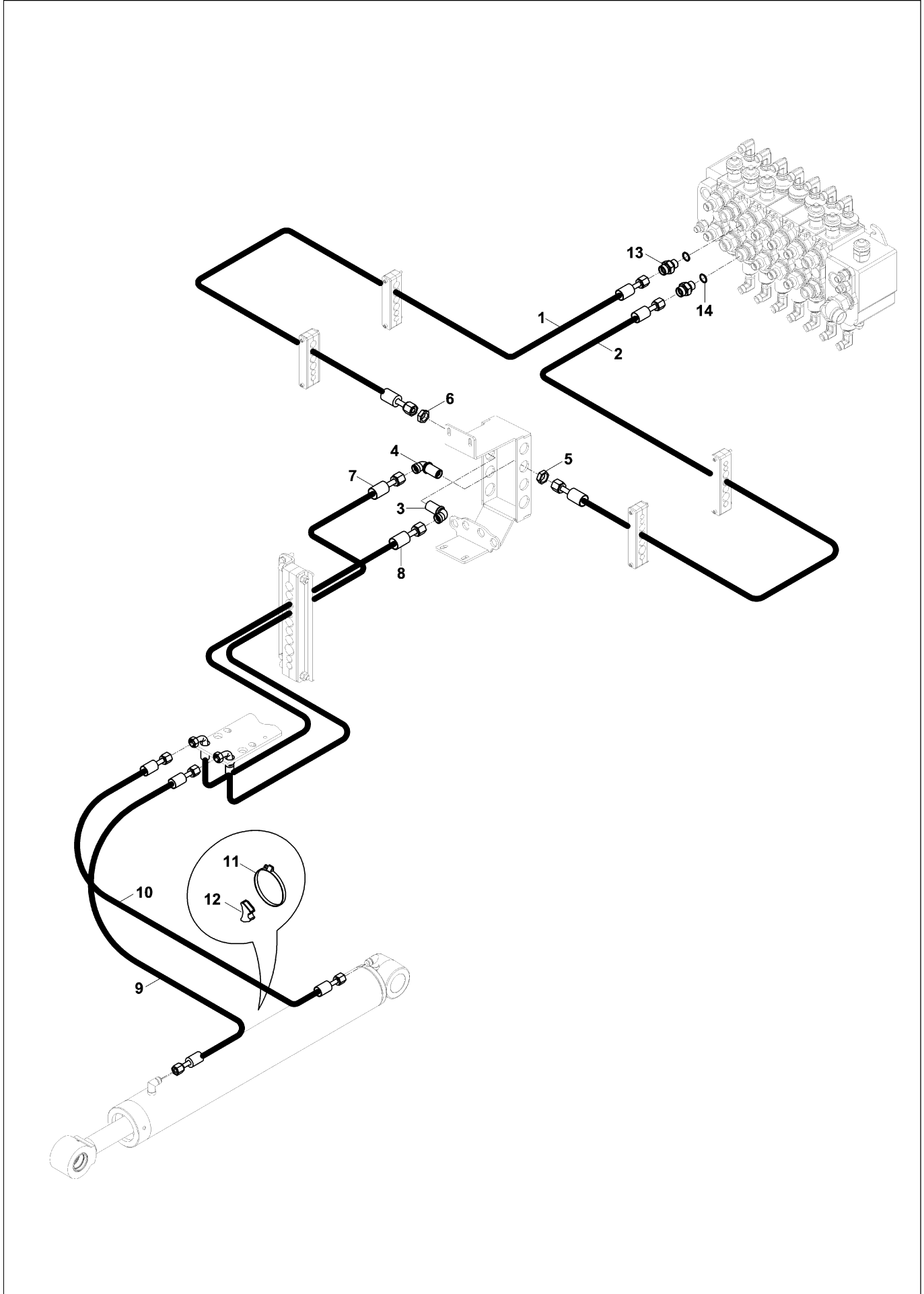
KAZICI HİDROLİK TESİSATI, ARM SİLİNDİRİ (KAZ AYAK) (OP)
BACKHOE HYDRAULIC PIPING, ARM CYLINDER (WING TYPE STABILIZER) (OP)



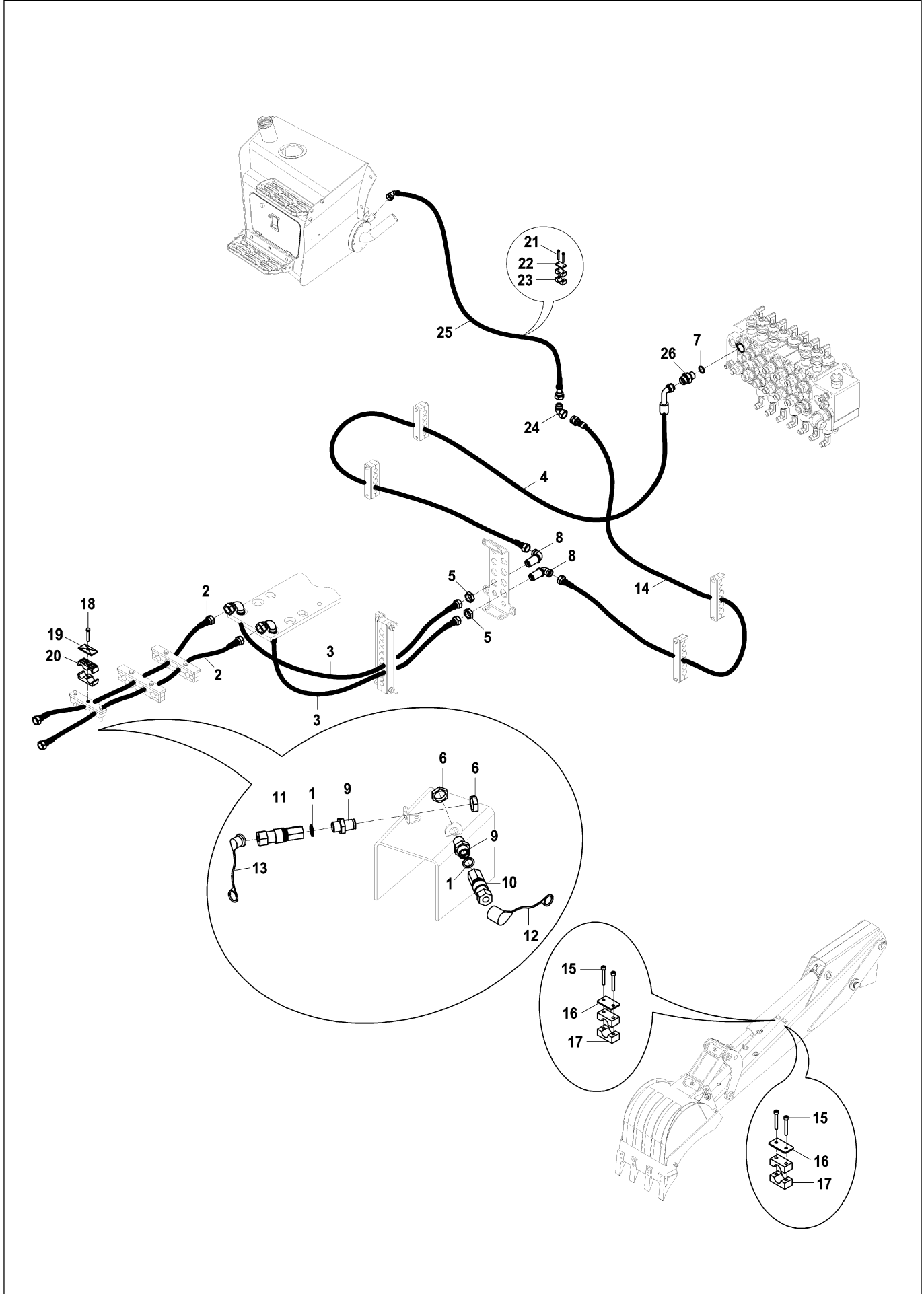
KAZICI HİDROLİK TESİSATI, KEPÇE SİLİNDİRİ (TELESKOPIK BOM) (TİP B) (OP)
BACKHOE HYDRAULIC PIPING, BUCKET CYLINDER (TELESCOPIC BOOM) (TYPE B)



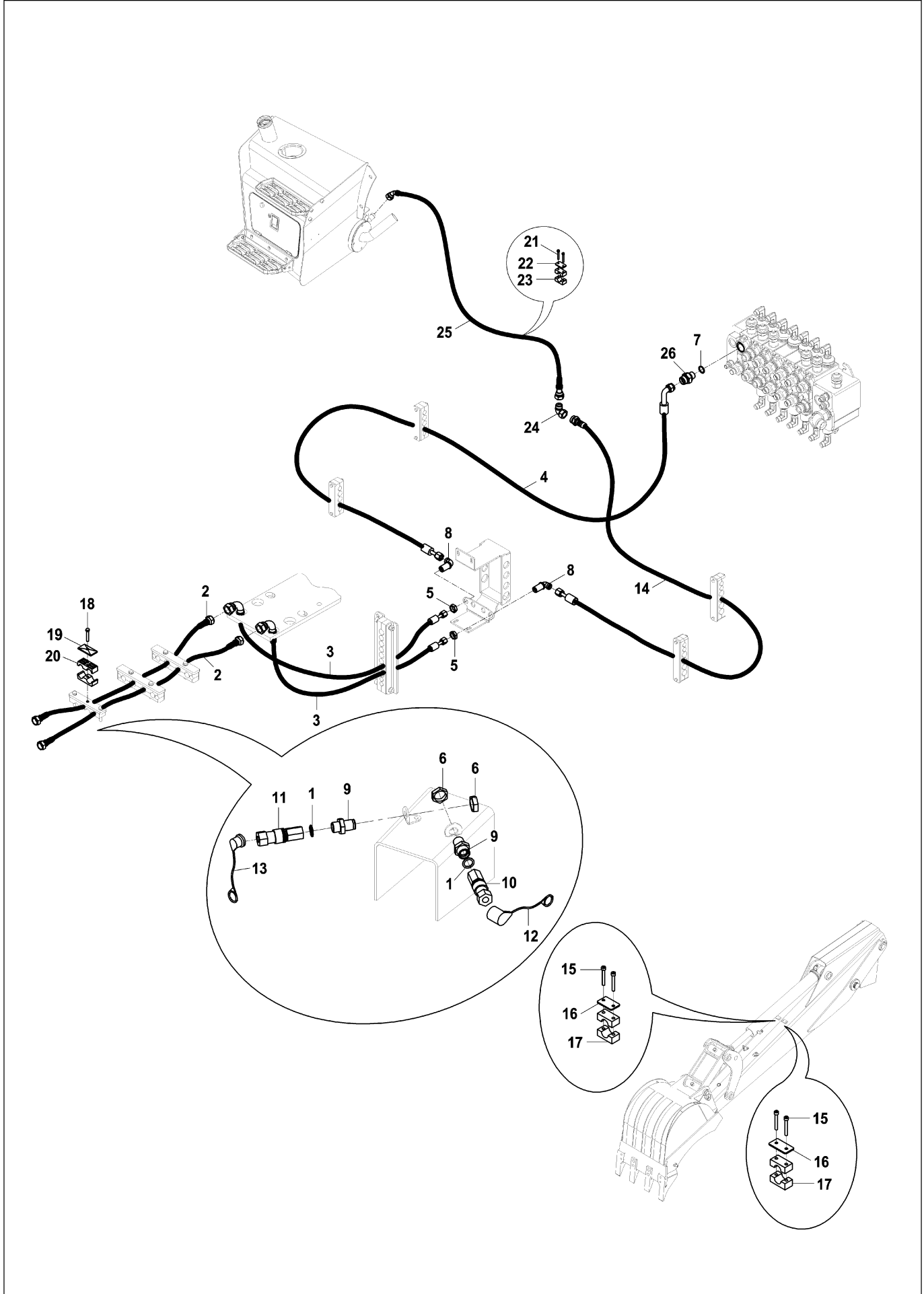
KAZICI HİDROLİK TESİSATI, KEPÇE SİLİNDİRİ (TİP B) (OP)
BACKHOE HYD. PIPING, BUCKET CYLINDER (YPE B) (OP)



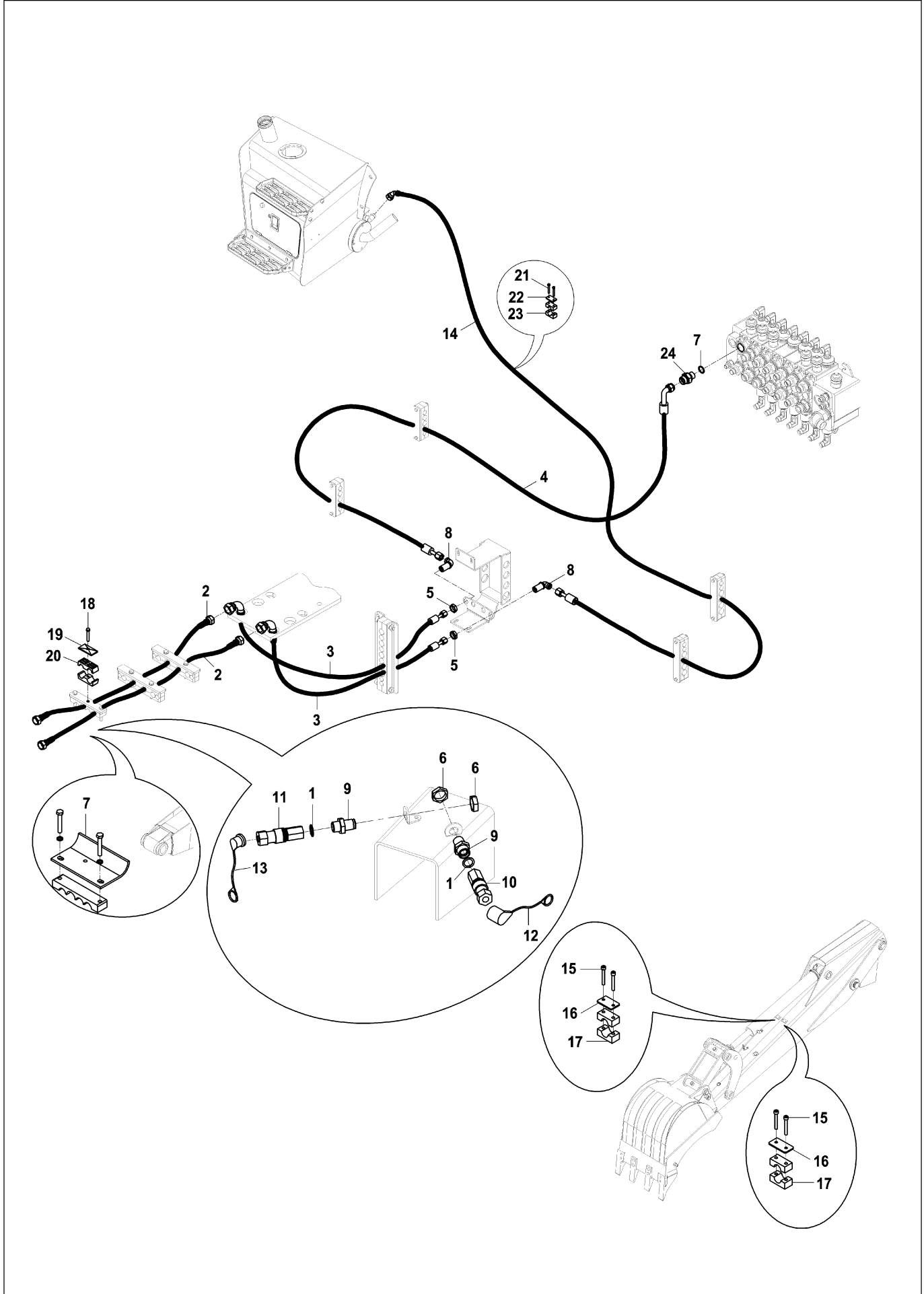
TEK ETKİLİ HİDROLİK TESİSATI (KIRICI&STD.ARM&LV+JY)(TİP B)(OP)
SINGLE ACTING HYD. PIPING (BREAKER & STD.ARM & LEVERS+JOYSTICK) (TYPE B)



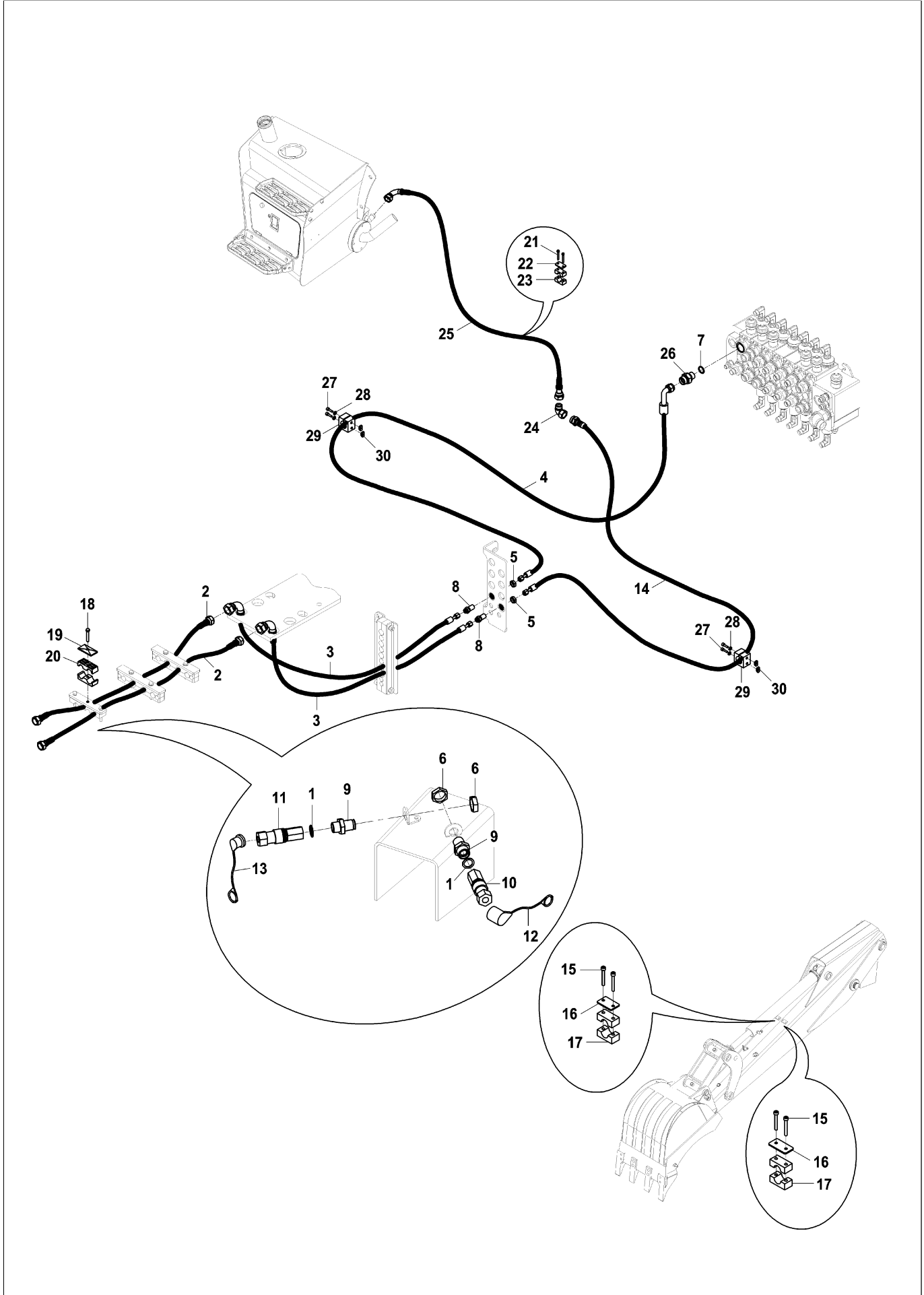
TEK ETKİLİ HİDROLİK TESİSATI (KIRICI&STD.ARM&LV+JY)(TİP B)(OP)
SINGLE ACTING HYD. PIPING (BREAKER & STD.ARM & LEVERS+JOYSTICK) (TYPE B)



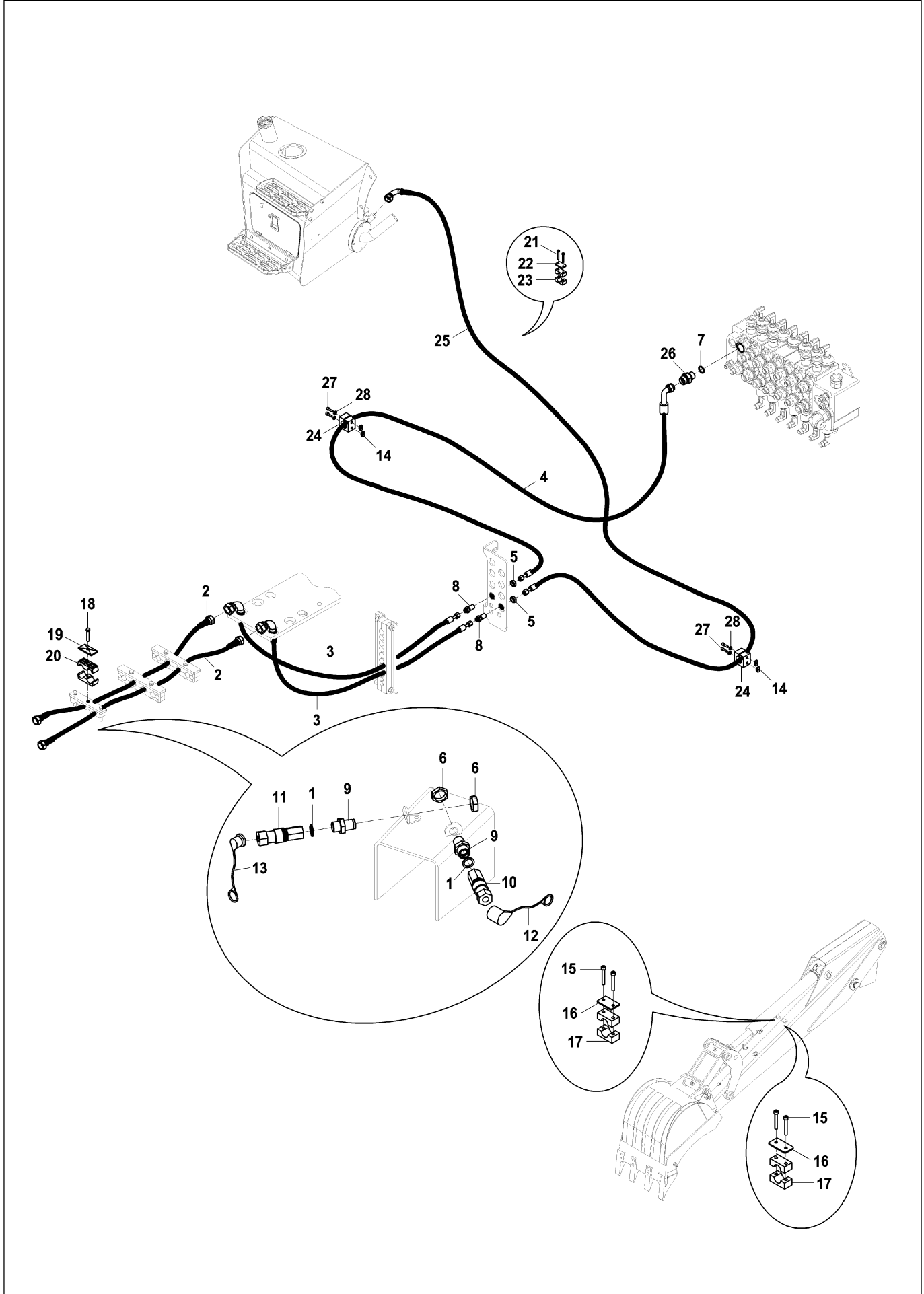
TEK ETKİLİ HİDROLİK TESİSATI (KIRICI & STD. ARM & LEVYE+JOYİSTİK) (TİP B) (OP)
SINGLE ACTING HYD. PIPING (BREAKER & STD.ARM & LEVERS+JOYSTICK) (TYPE B)



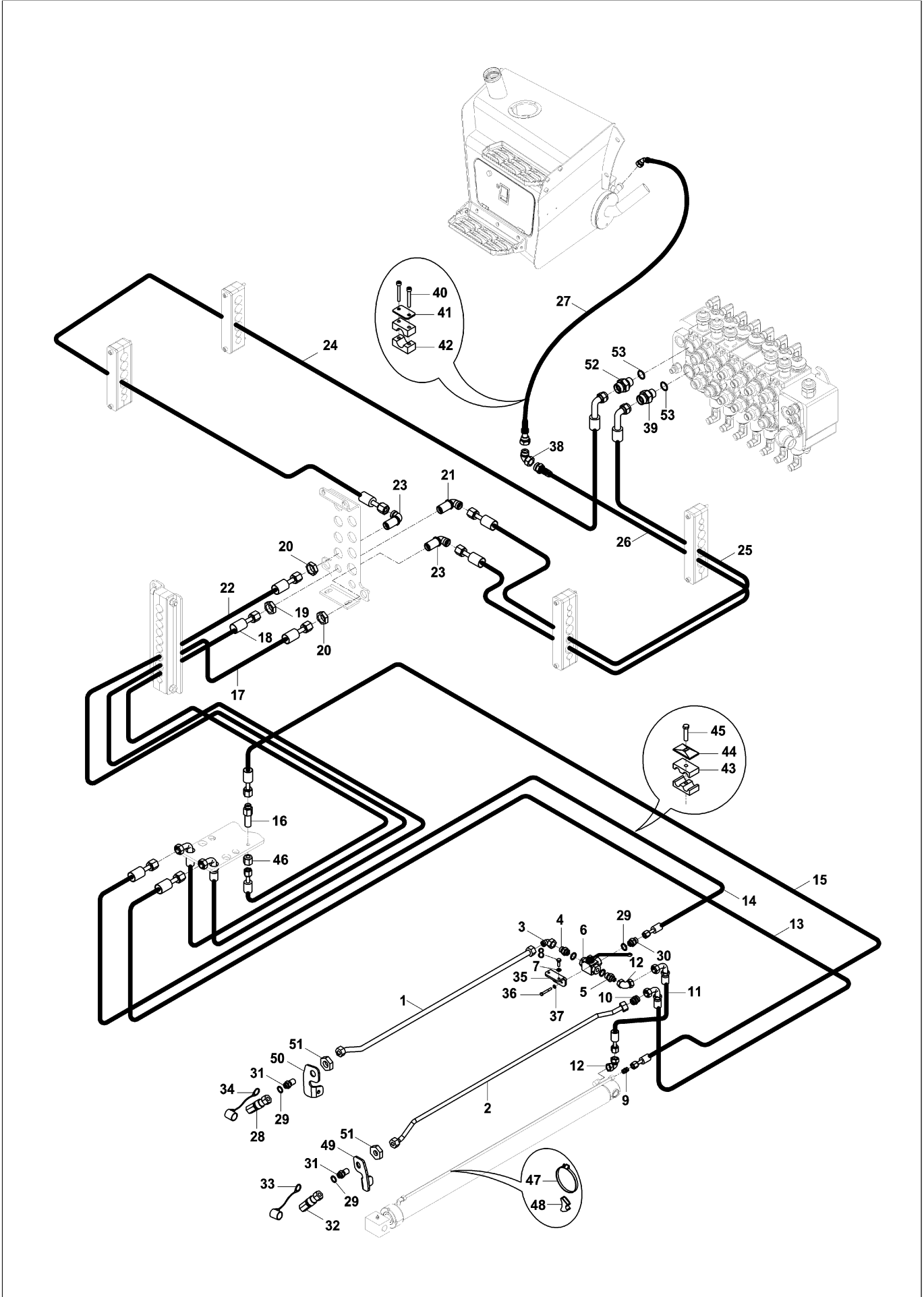
TEK ETKİLİ HİDROLİK TESİSATI (KIRICI&STD.ARM&LV&KAZAYAK)(TİP B)(OP)
SINGLE ACTING HYD.PIPING(BREAKER&STD.ARM&WING TYPE STABILIZER)(TYPE B)



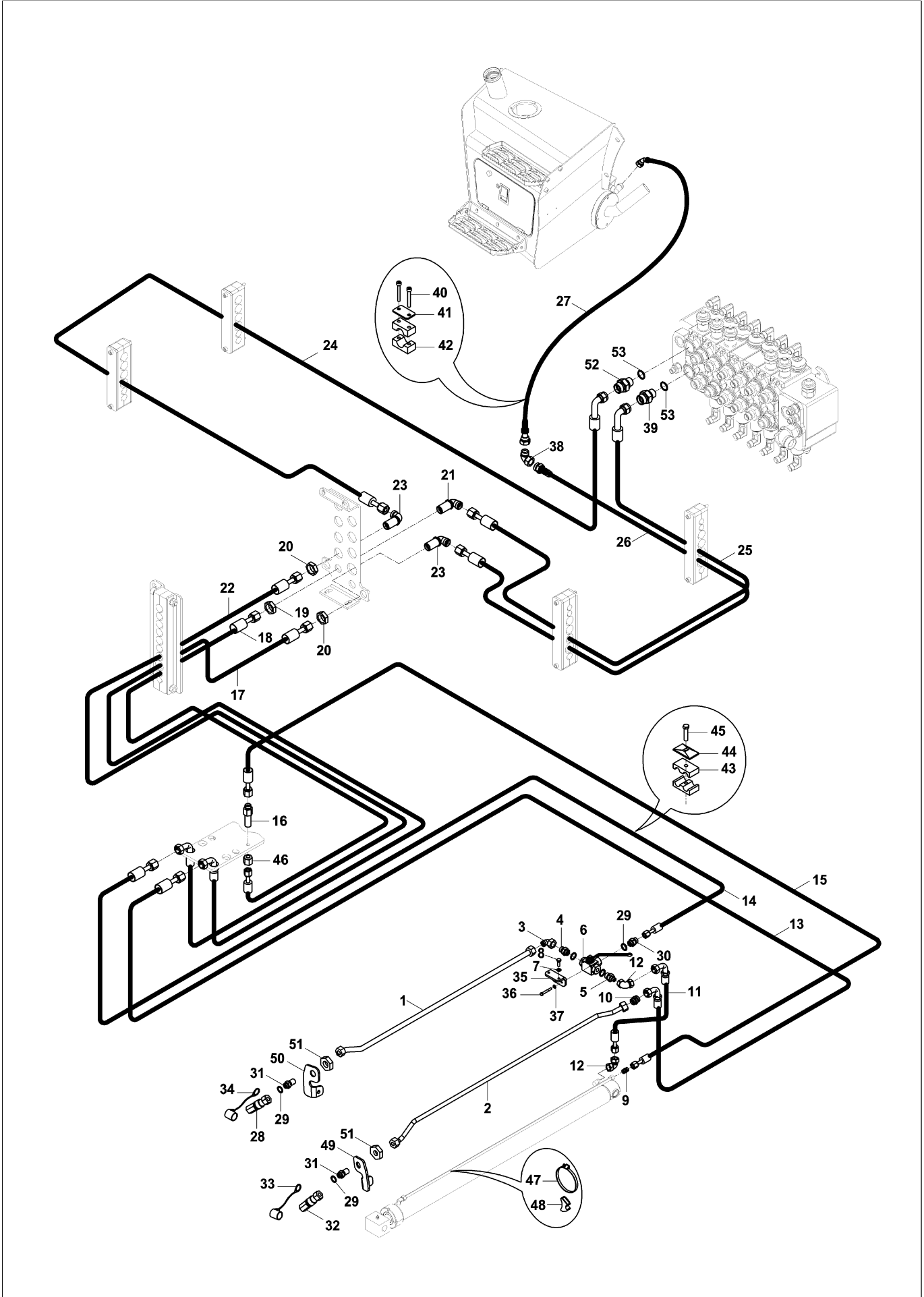
TEK ETKİLİ HİDROLİK TESİSATI (KIRICI&STD.ARM&LV&KAZAYAK)(TİP B)(OP)
SINGLE ACTING HYD.PIPING(BREAKER&STD.ARM&WING TYPE STABILIZER)(TYPE B)



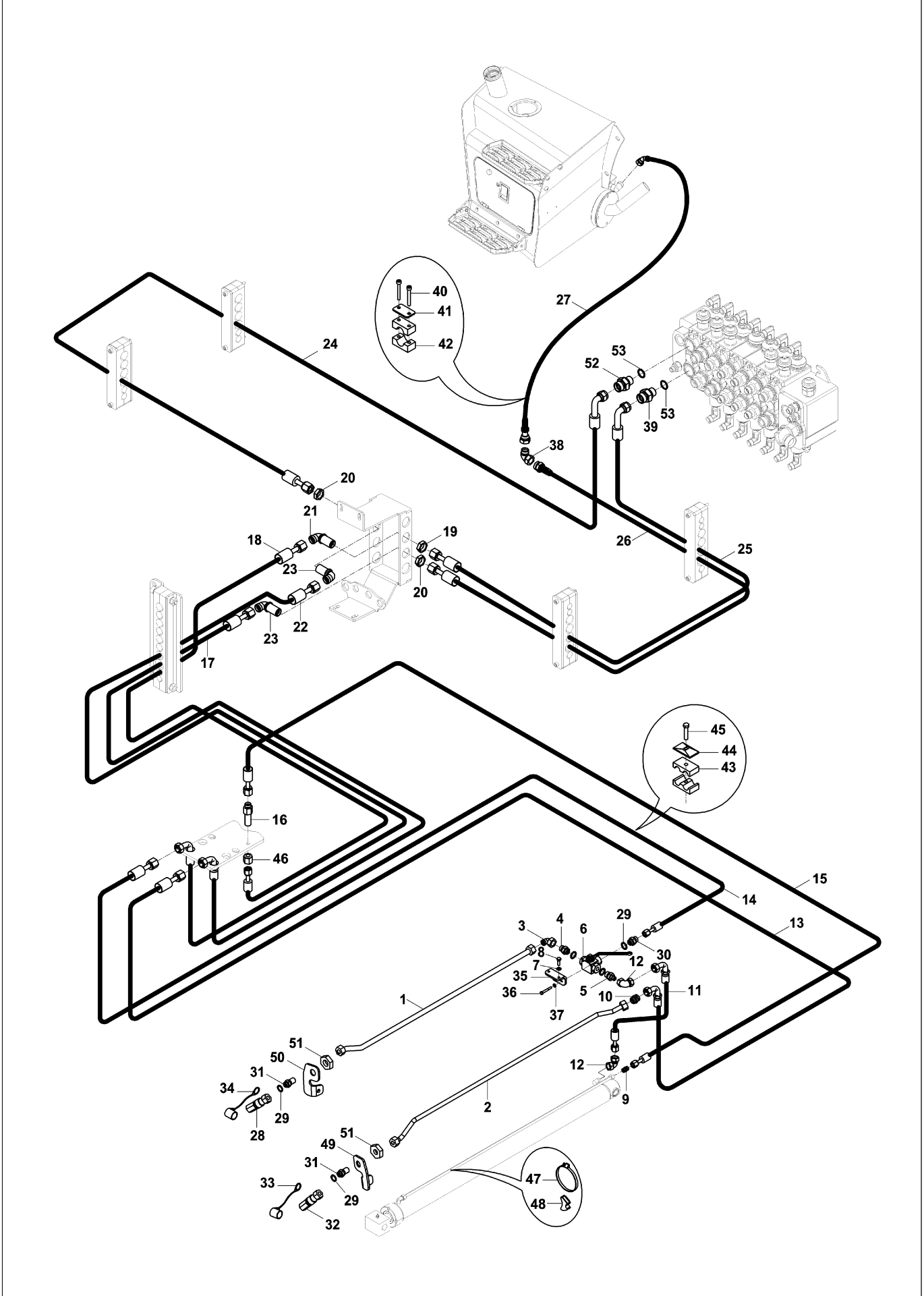
**TEK ETKİLİ HİDROLİK TESİSATI (KIRICI & TELESKOPIK ARM & LV+JY)(TİP B)(OP)
SINGLE ACTING HYD. PIPING(BREAKER & TELESCOPIC & LEVERS+JOYSTICK) (TYPE**



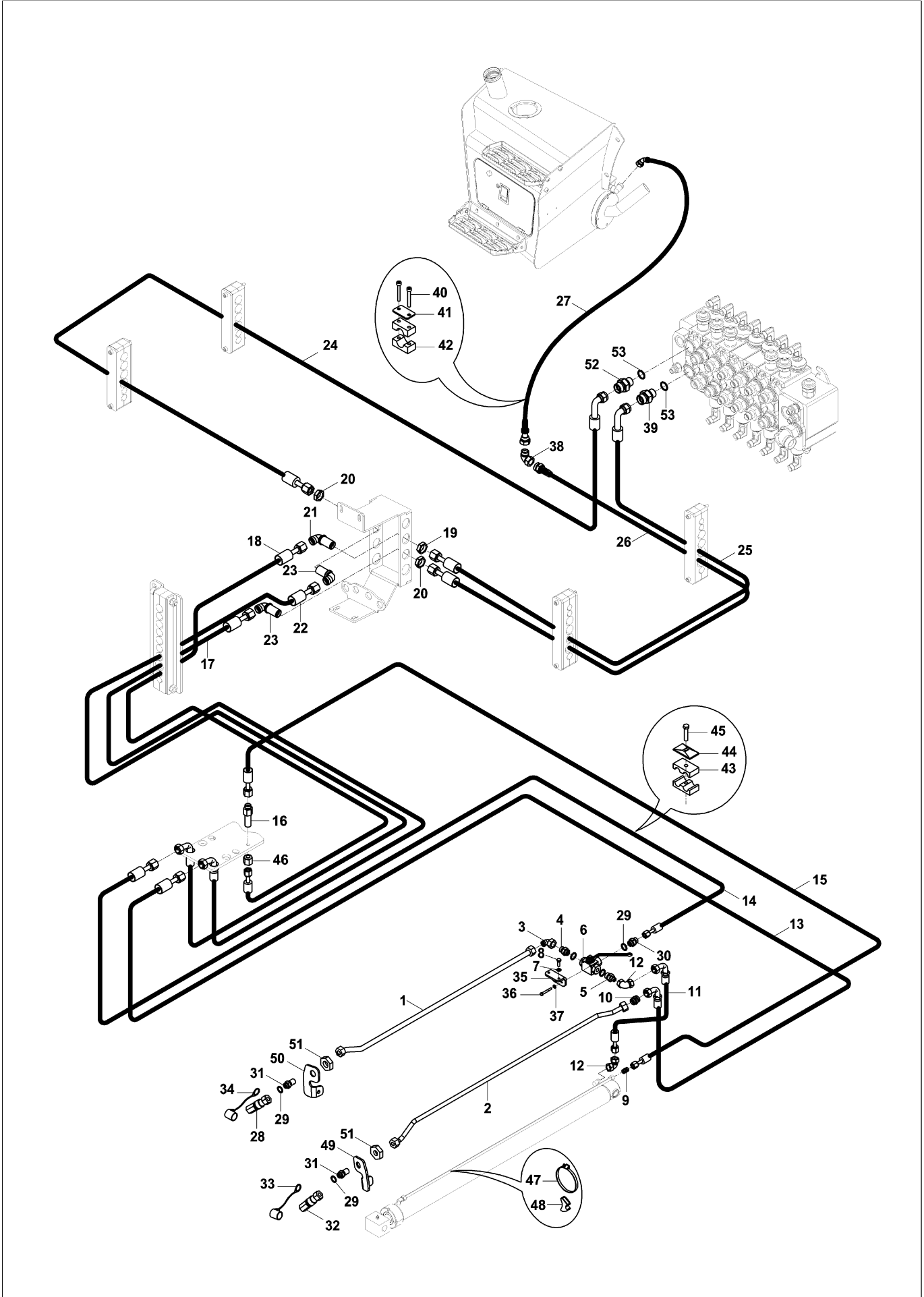
**TEK ETKİLİ HİDROLİK TESİSATI (KIRICI & TELESKOPIK ARM & LV+JY)(TİP B)(OP)
SINGLE ACTING HYD. PIPING(BREAKER & TELESCOPIC & LEVERS+JOYSTICK) (TYPE**



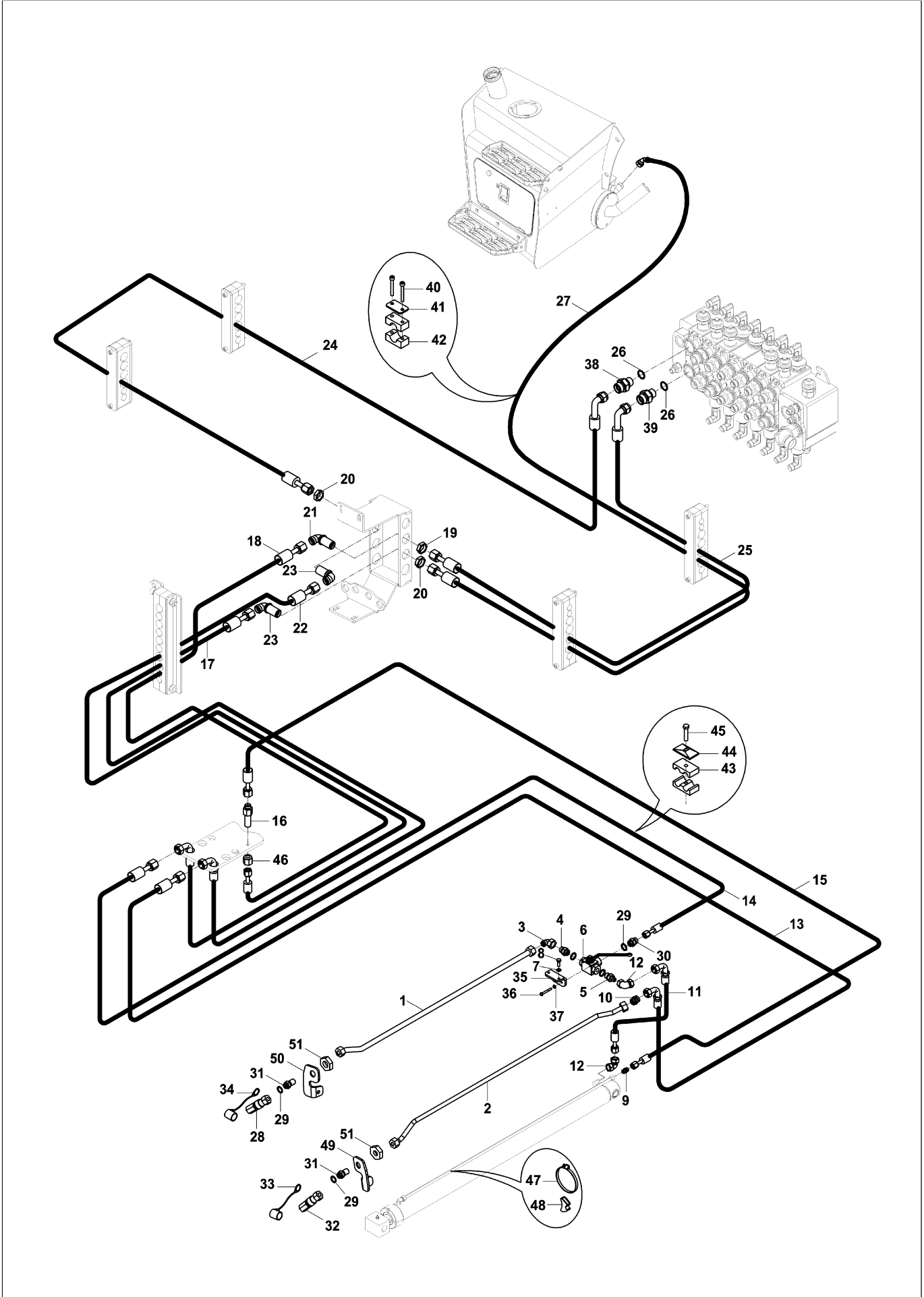
**TEK ETKİLİ HİDROLİK TESİSATI (KIRICI & TELESKOPIK ARM & LV+JY)(TİP B)(OP)
SINGLE ACTING HYD. PIPING(BREAKER & TELESCOPIC & LEVERS+JOYSTICK) (TYPE**



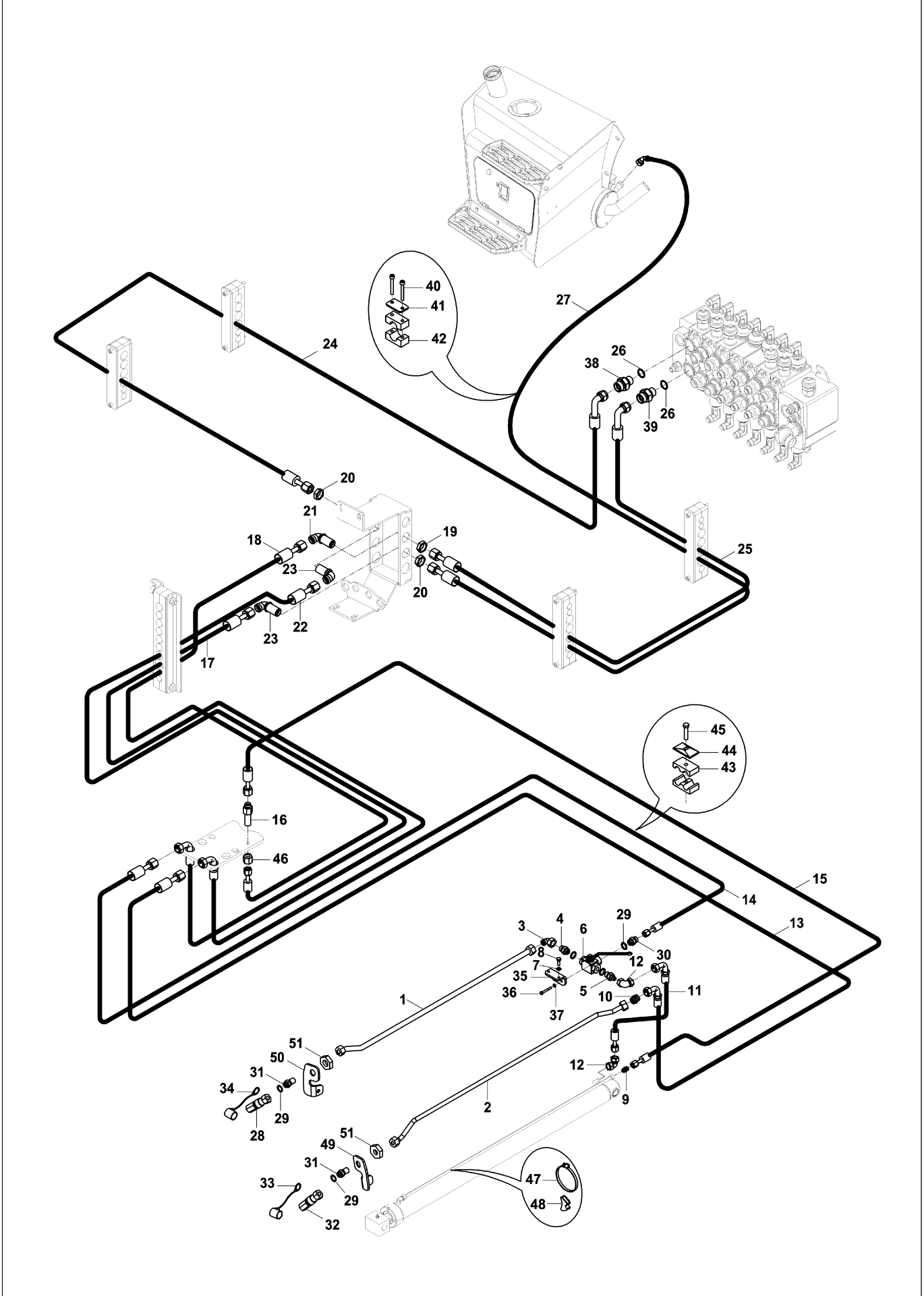
**TEK ETKİLİ HİDROLİK TESİSATI (KIRICI & TELESKOPIK ARM & LV+JY)(TİP B)(OP)
SINGLE ACTING HYD. PIPING(BREAKER & TELESCOPIC & LEVERS+JOYSTICK) (TYPE**



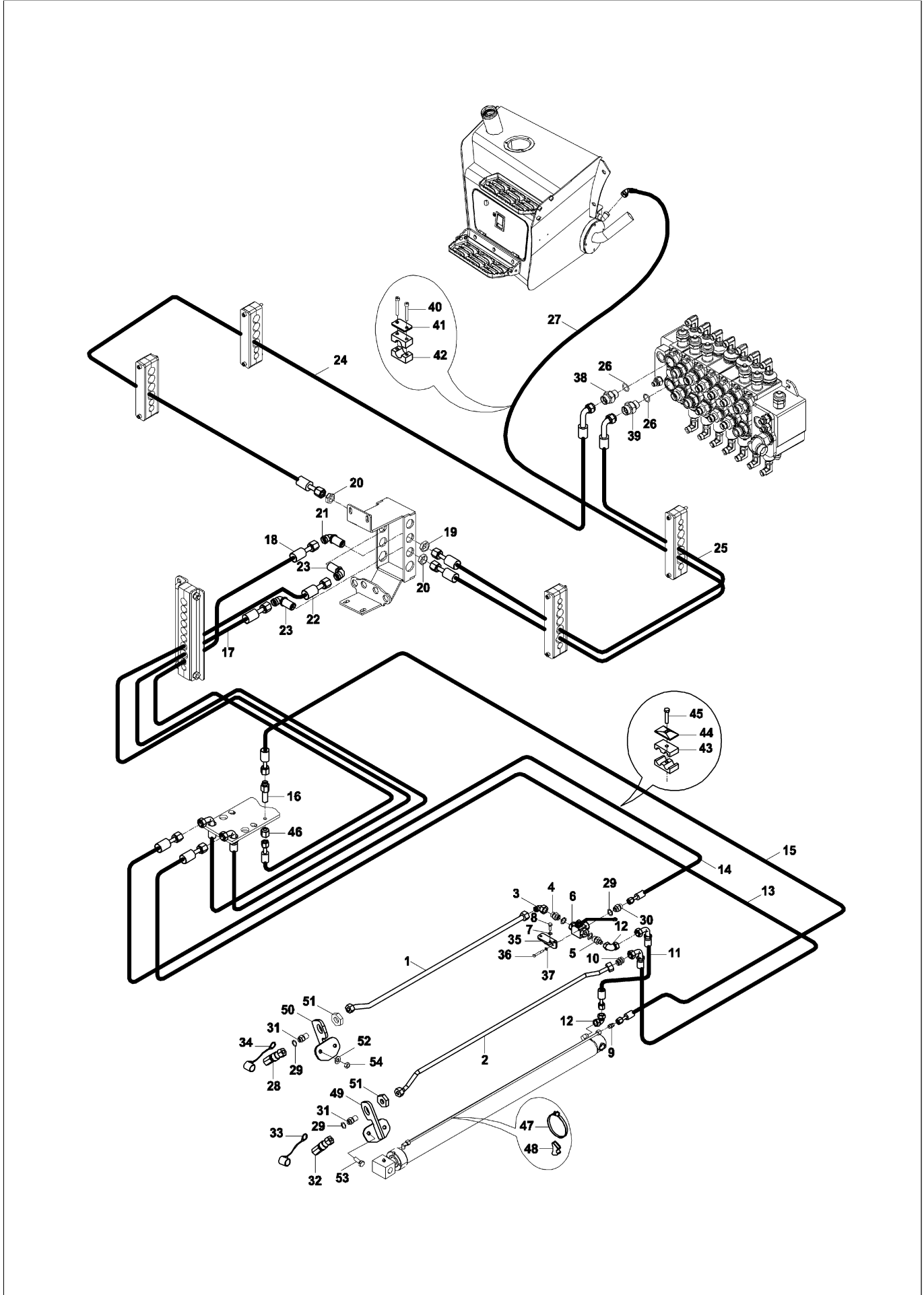
TEK ETKİLİ HİDROLİK TESİSATI (KIRICI & TELESKOPIK ARM & LV+JY)(TİP B)(OP)
SINGLE ACTING HYD. PIPING(BREAKER & TELESCOPIC & LEVERS+JOYSTICK) (TYPE



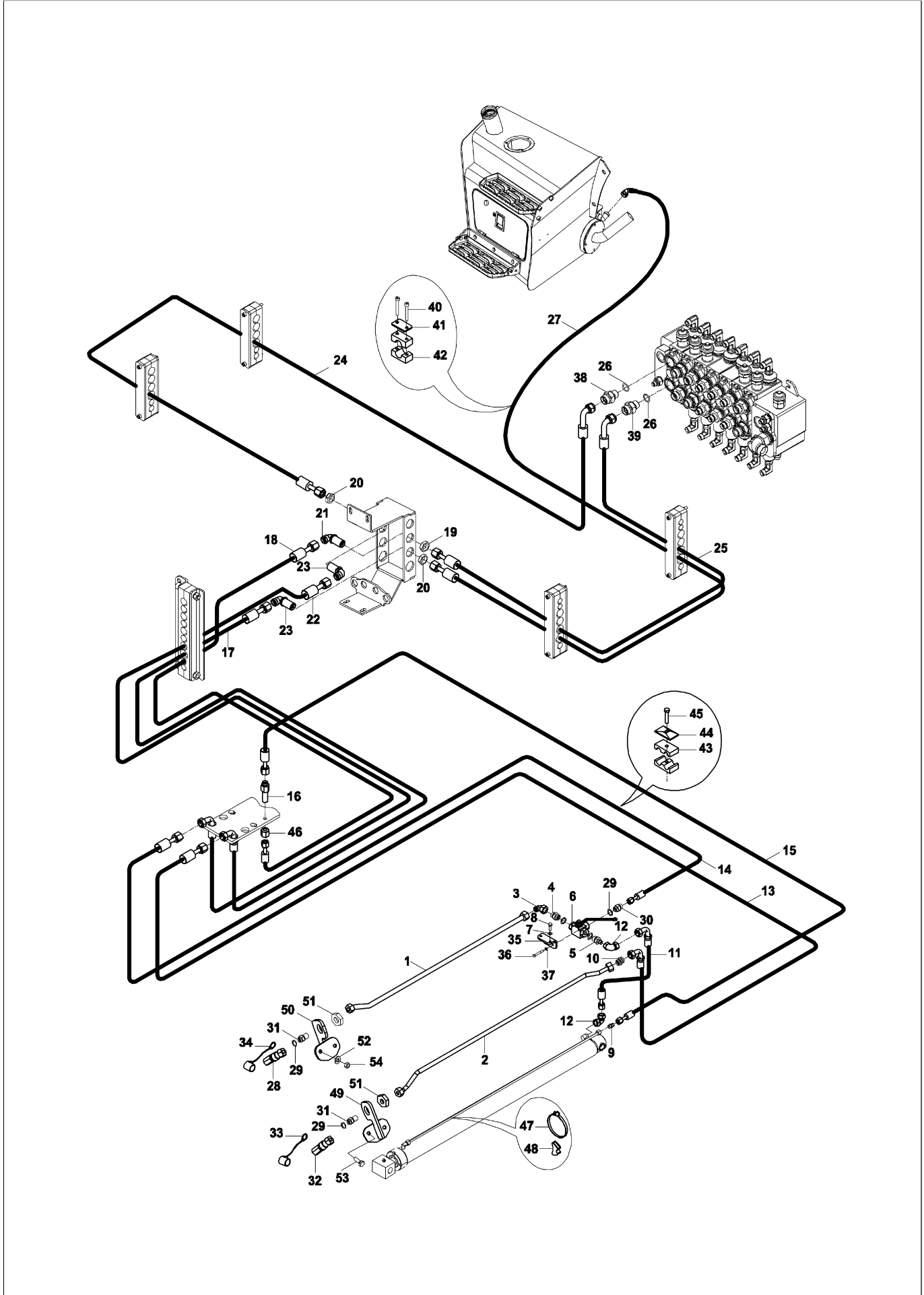
TEK ETKİLİ HİDROLİK TESİSATI (KIRICI & TELESKOPIK ARM & LV+JY)(TİP B)(OP)
SINGLE ACTING HYD. PIPING(BREAKER & TELESCOPIC & LEVERS+JOYSTICK) (TYPE



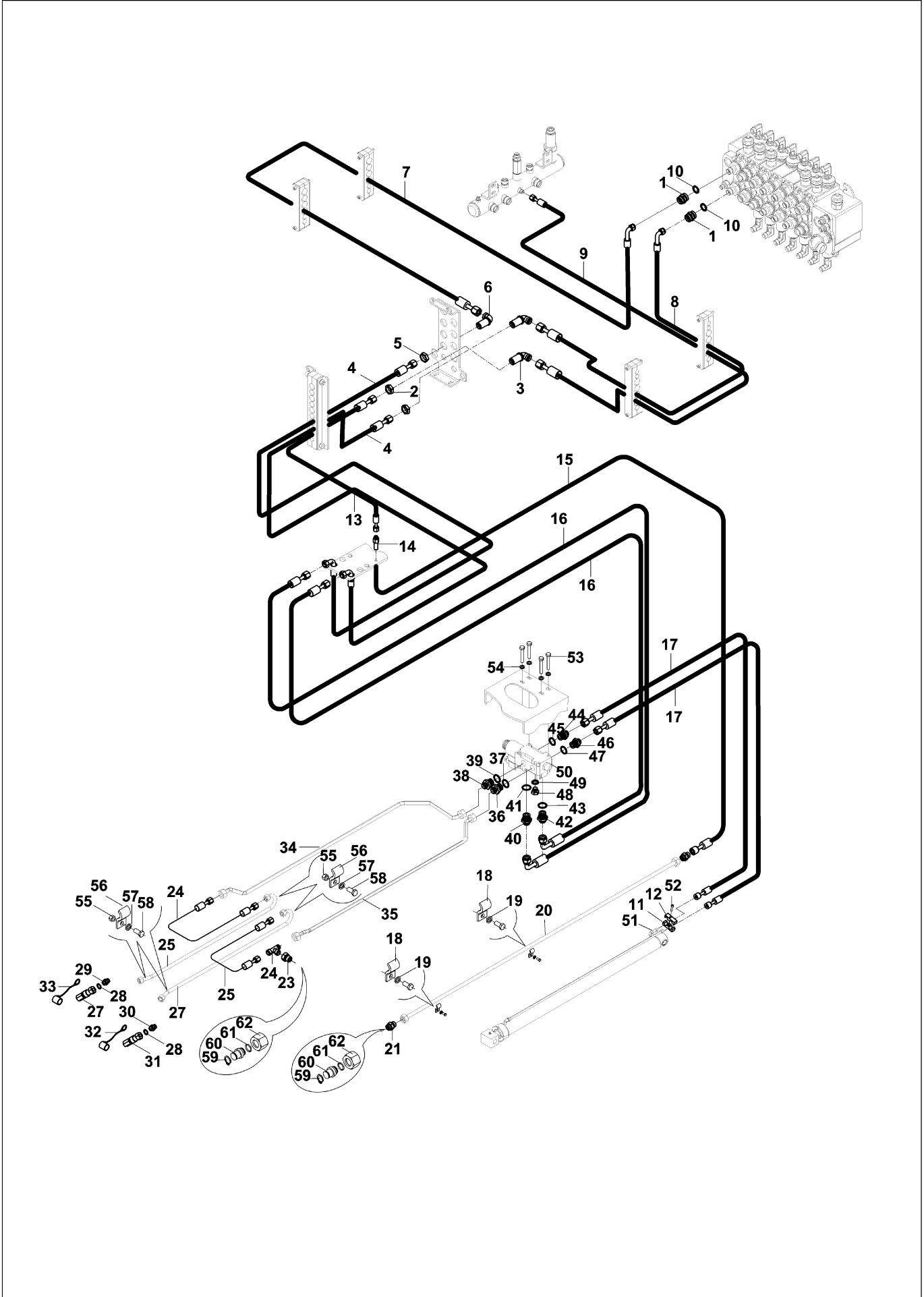
TEK ETKİLİ HİDROLİK TESİSATI (KIRICI & TELESKOPIK ARM & LV+JY)(TİP B)(OP)
SINGLE ACTING HYD. PIPING(BREAKER & TELESCOPIC & LEVERS+JOYSTICK) (TYPE



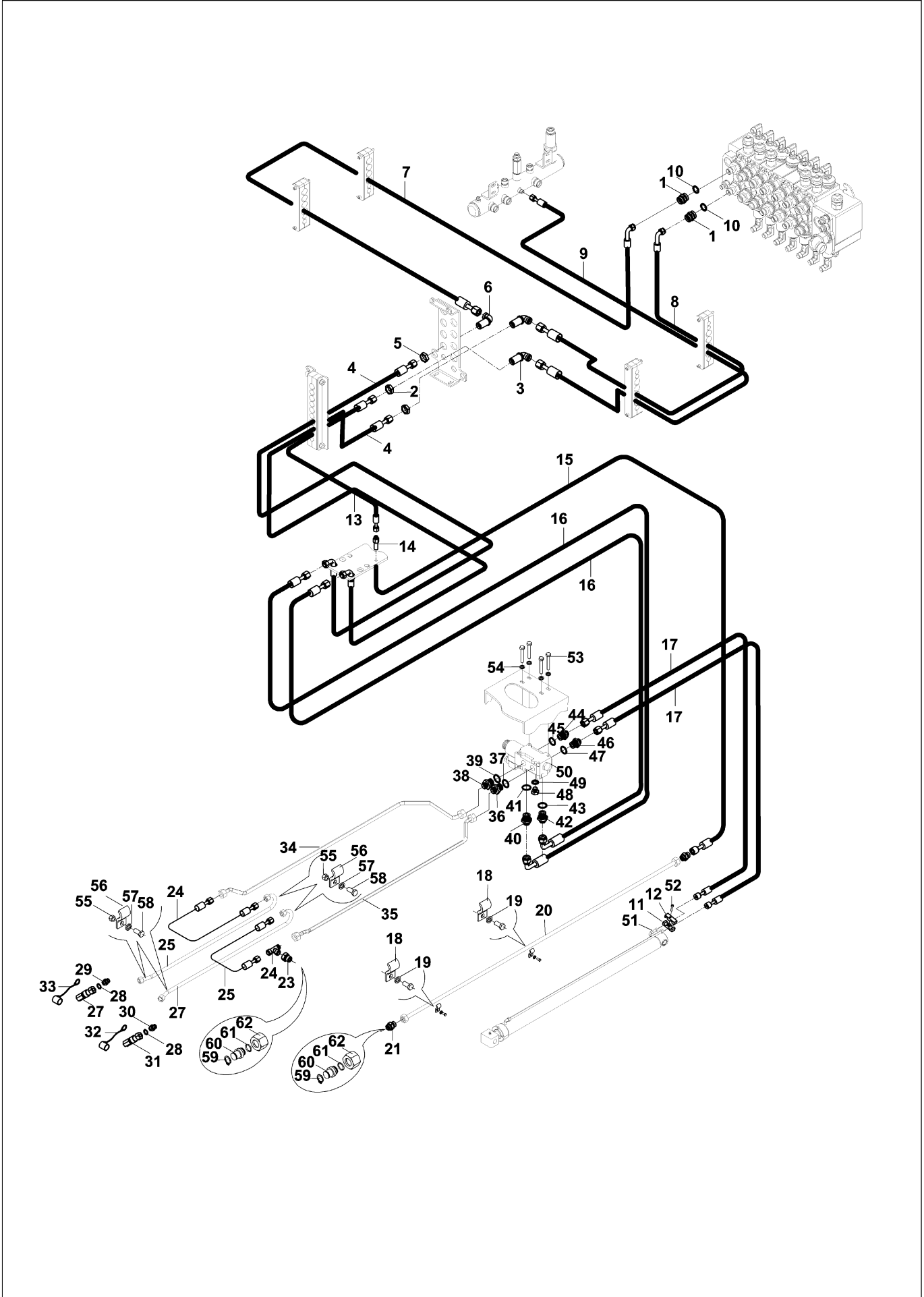
**TEK ETKİLİ HİDROLİK TESİSATI (KIRICI & TELESKOPIK ARM & LV+JY)(TİP B)(OP)
SINGLE ACTING HYD. PIPING(BREAKER & TELESCOPIC & LEVERS+JOYSTICK) (TYPE**



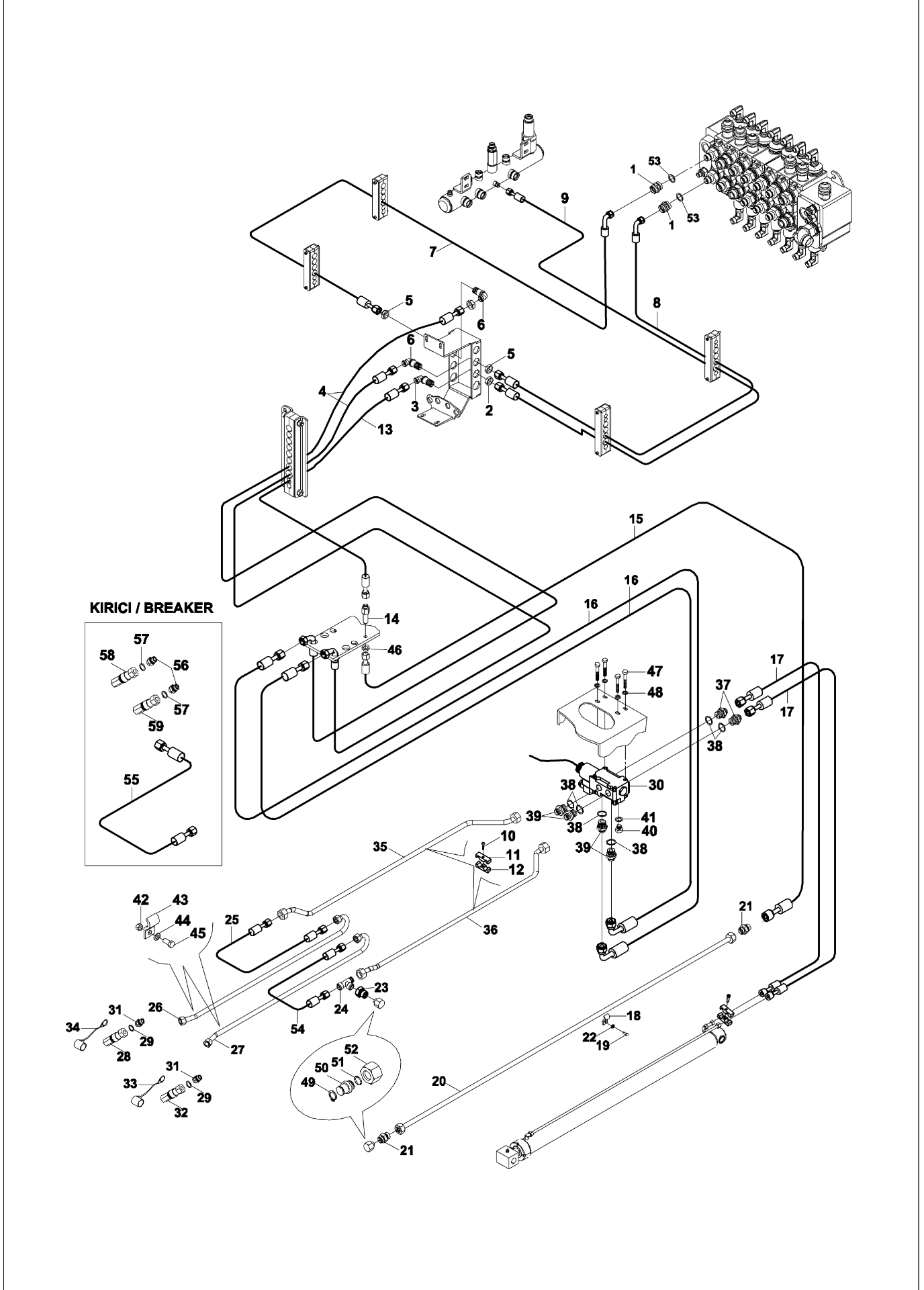
ÇİFT ETKİLİ HDR. TESİSATI, BURGU/DÖNER KEPÇE&KIRICI(STD.ARM&LEVYE&TİP B)
 DOUBLE ACTING HYD. PIPING, AUGER/TILTING



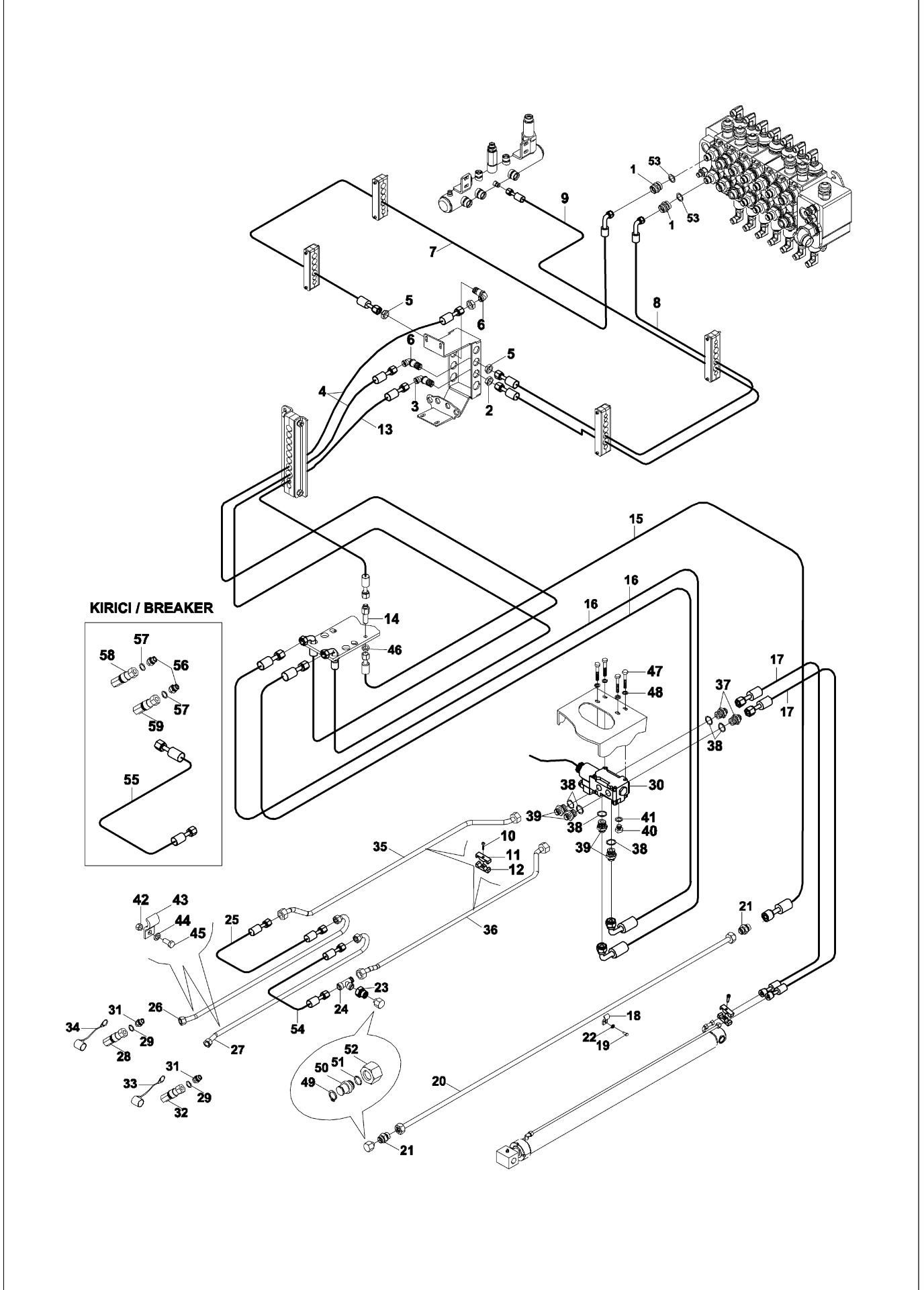
ÇİFT ETKİLİ HDR. TESİSATI, BURGU/DÖNER KEPÇE&KIRICI(STD.ARM&LEVYE&TİP B)
 DOUBLE ACTING HYD. PIPING, AUGER/TILTING

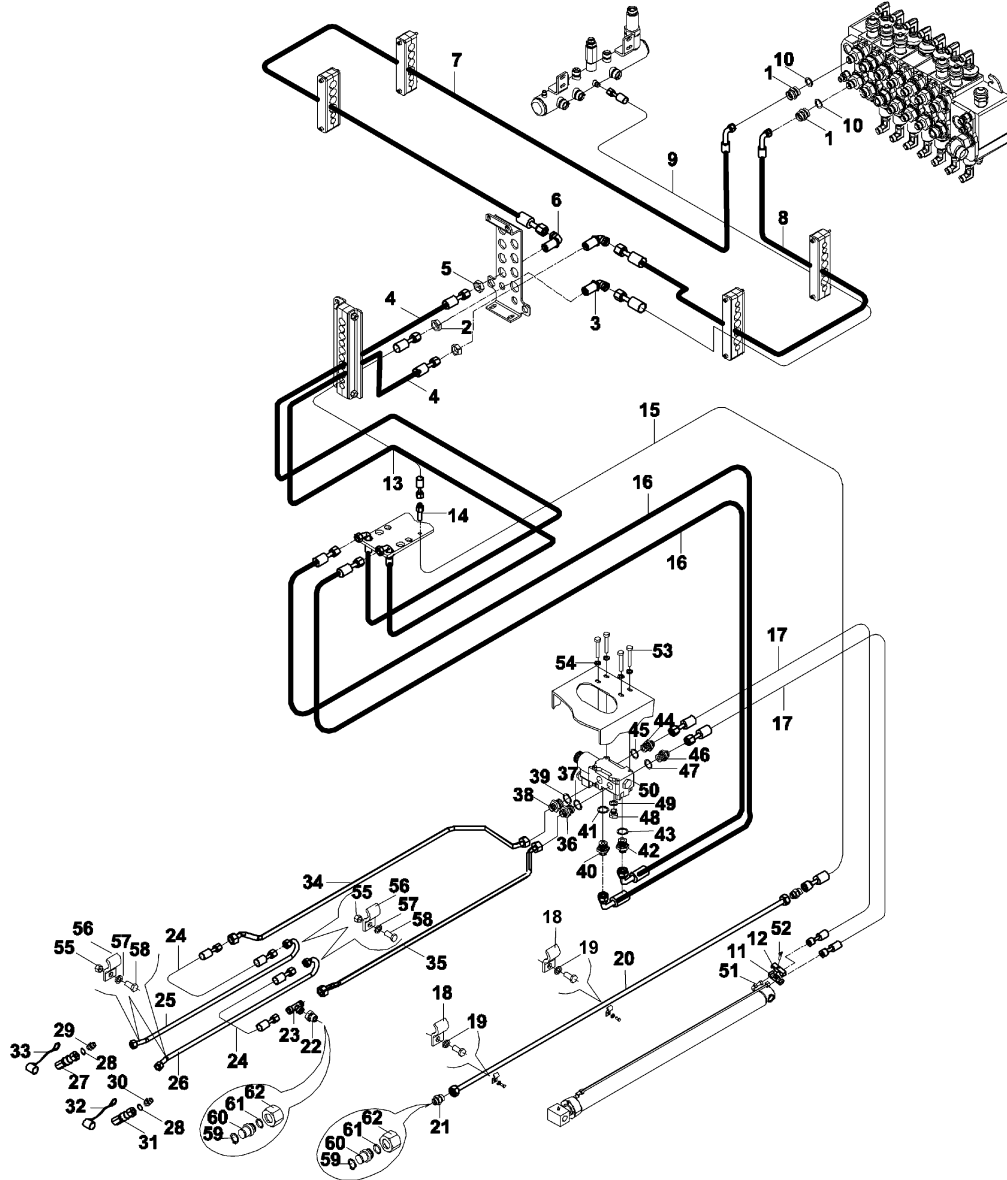


ÇİFT ETKİLİ HİDR.TESİSATI(BURGU/DÖNER KEPÇE&KIRICI&TELESKOPIK ARM&LV&TİP B)

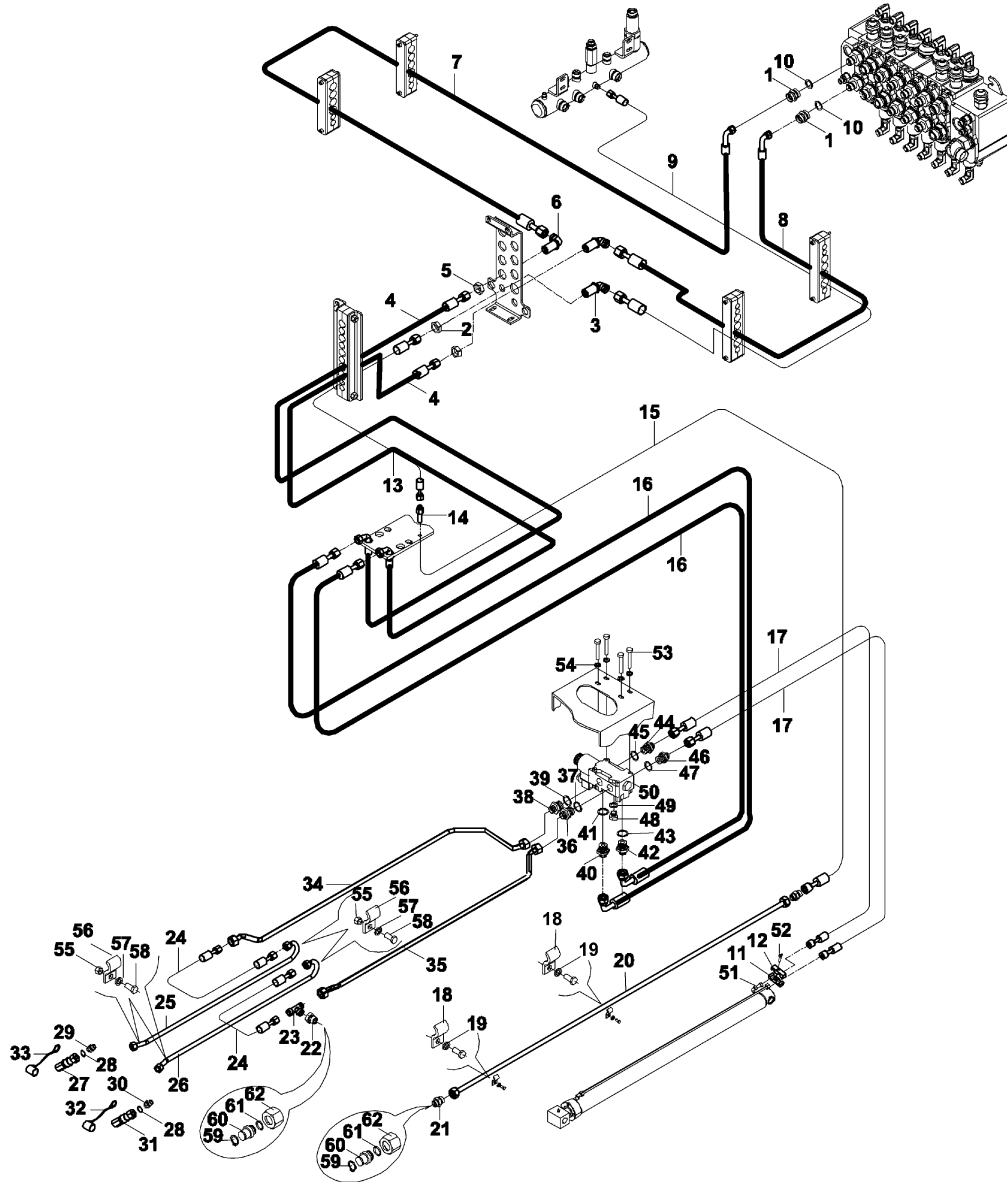


ÇİFT ETKİLİ HİDR.TESİSATI(BURGU/DÖNER KEPÇE&KIRICI&TELESKOPIK ARM&LV&TİP B)

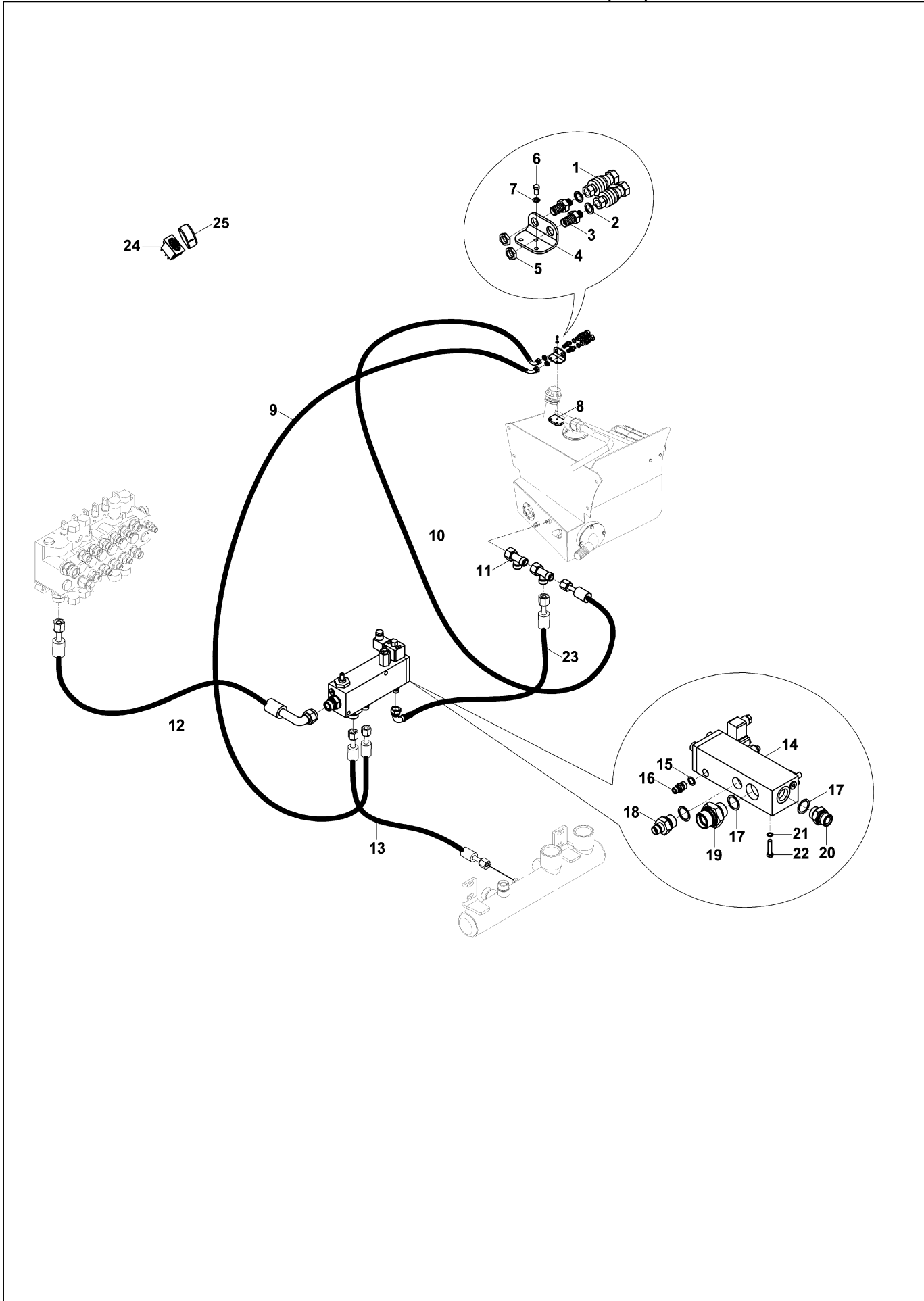


ÇİFT ETKİLİ HİDR.TESİSATI,BURGU/DÖNER KEPÇE&KIRICI(TEL.ARM&JOYSTİK&TİP B)

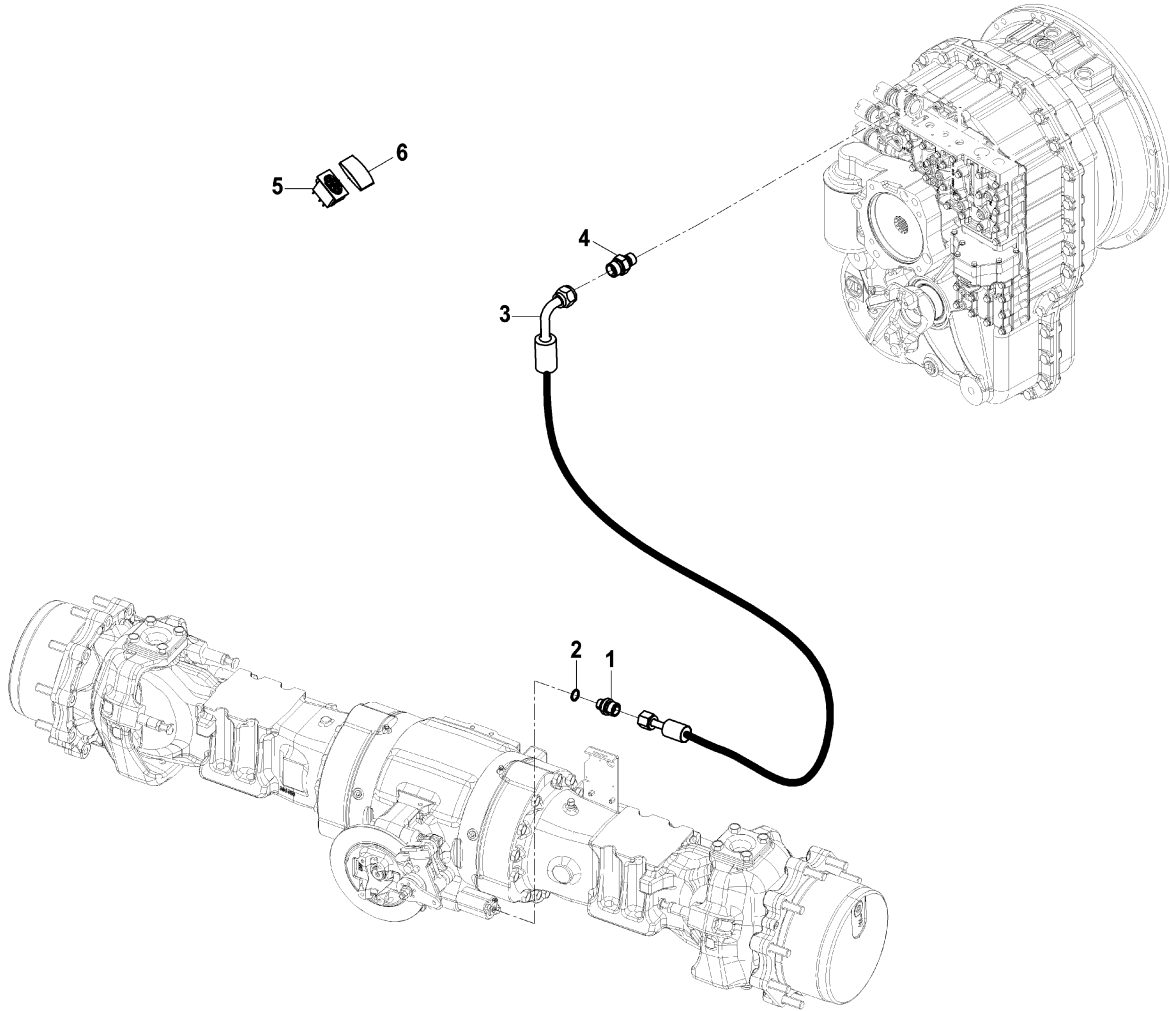
ÇİFT ETKİLİ HİDR.TESİSATI,BURGU/DÖNER KEPÇE&KIRICI(TEL.ARM&JOYSTİK&TİP
B)



HİDROLİK, EL KIRICISI (OP)
HYDRAULIC, HAND BREAKER (OP)



HİDROLİK TESİSAT, DİFERANSİYEL KİLİDİ (CR)
HYDRAULIC PIPING, DIFFERENTIAL LOCK (CR)



HİDROLİK, BOM KİLİDİ (MAFSALLI BOM) (OP)
HYDRAULIC, BOOM LOCKING (KNUCKLE BOOM) (OP)

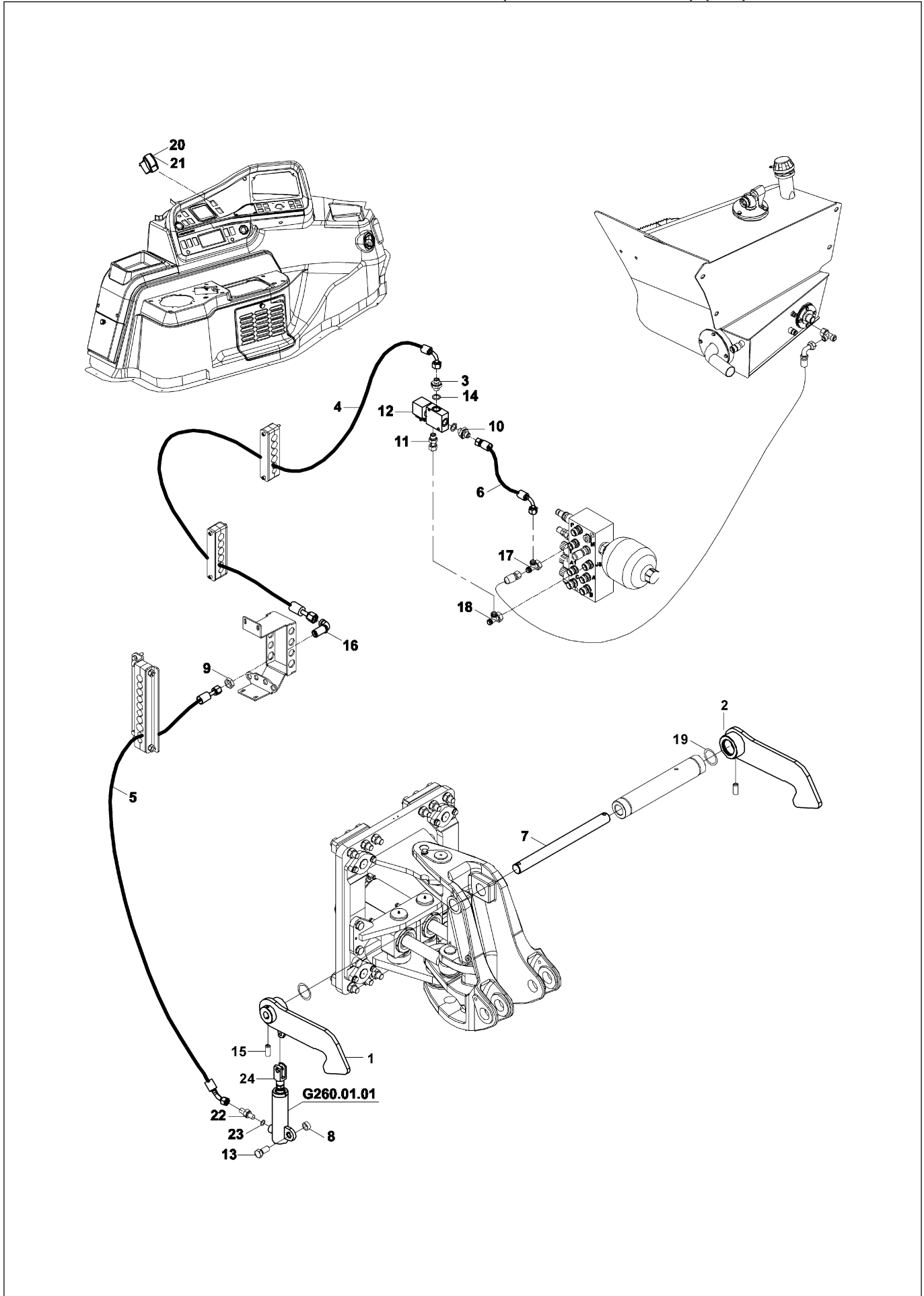
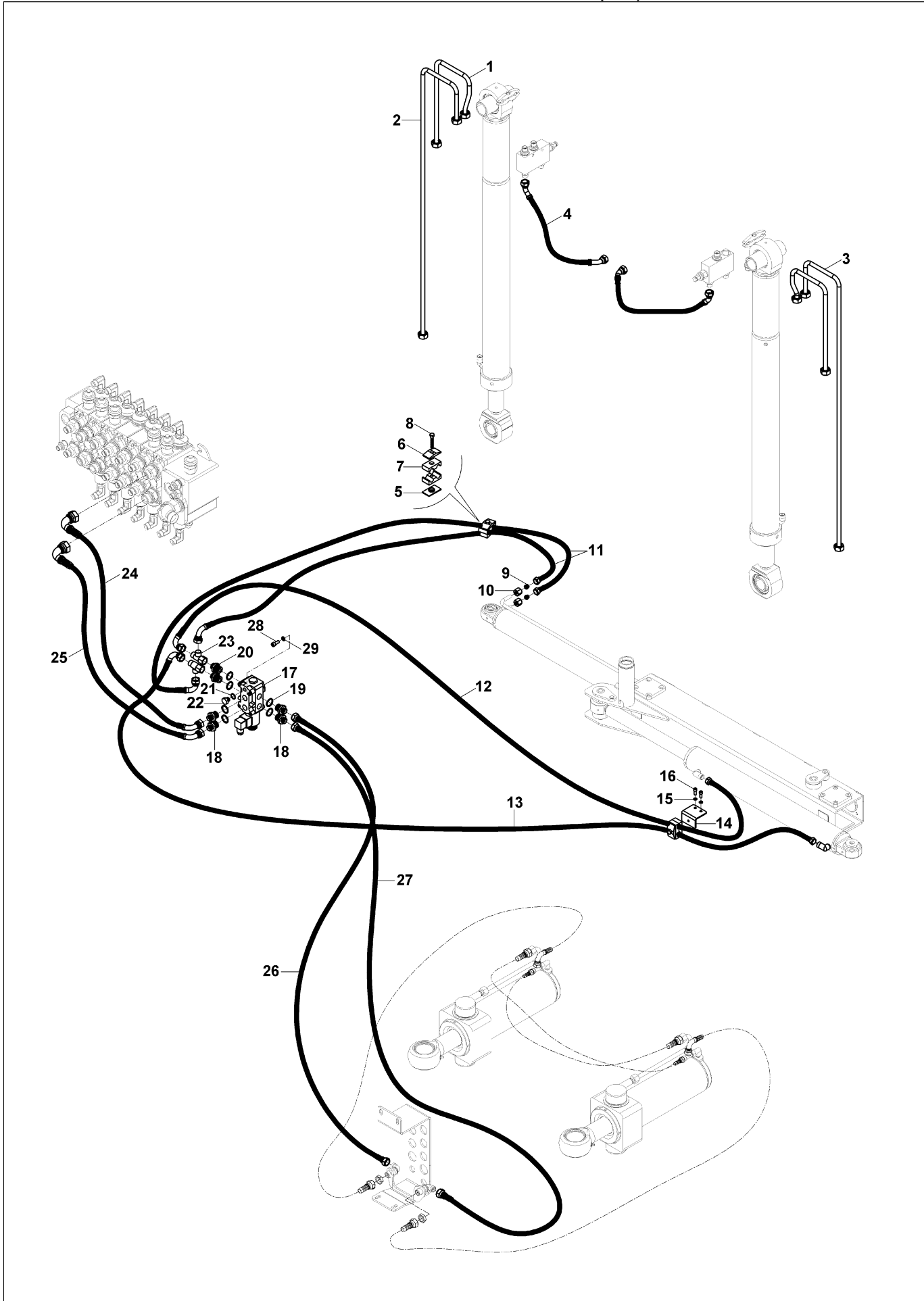
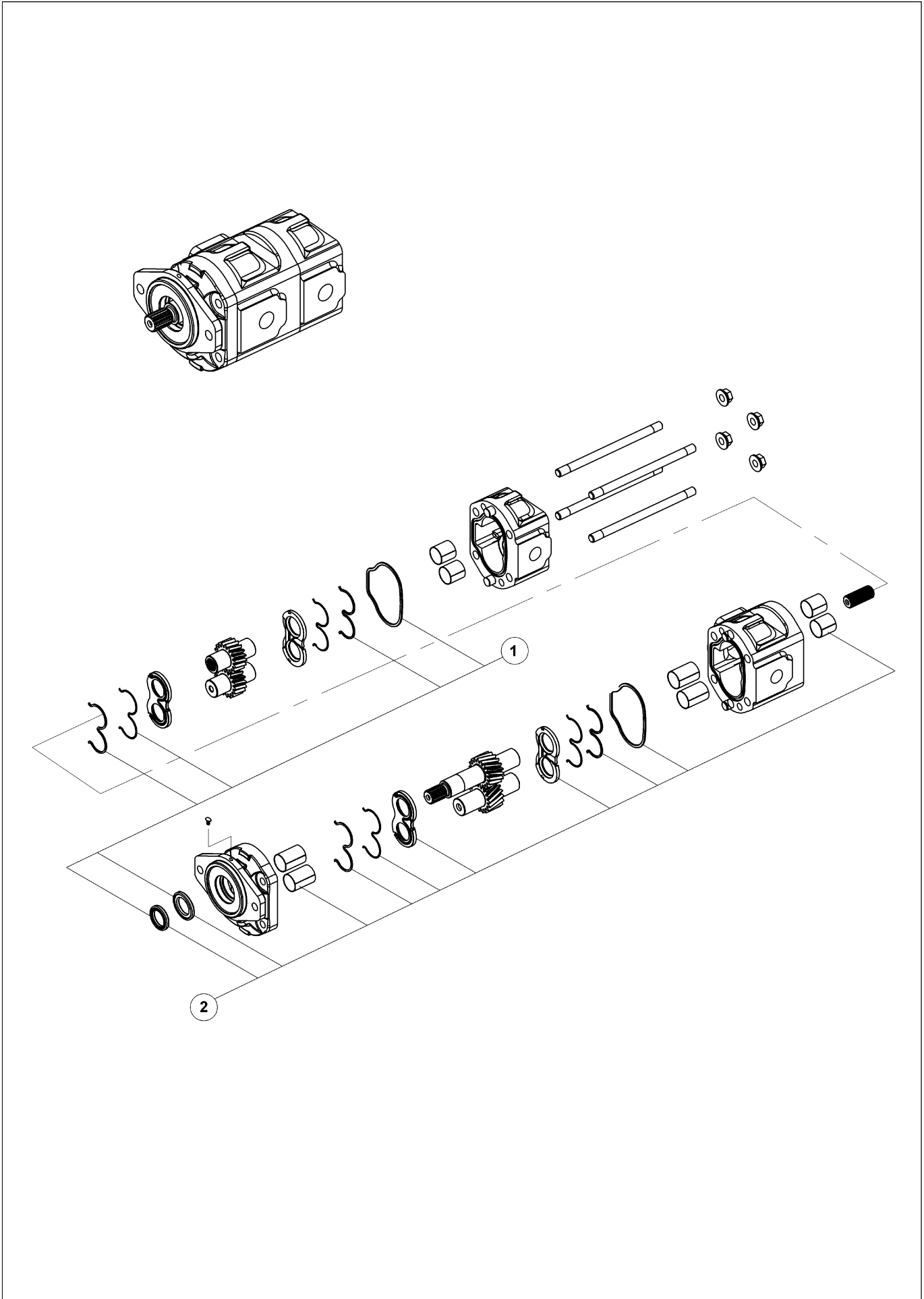


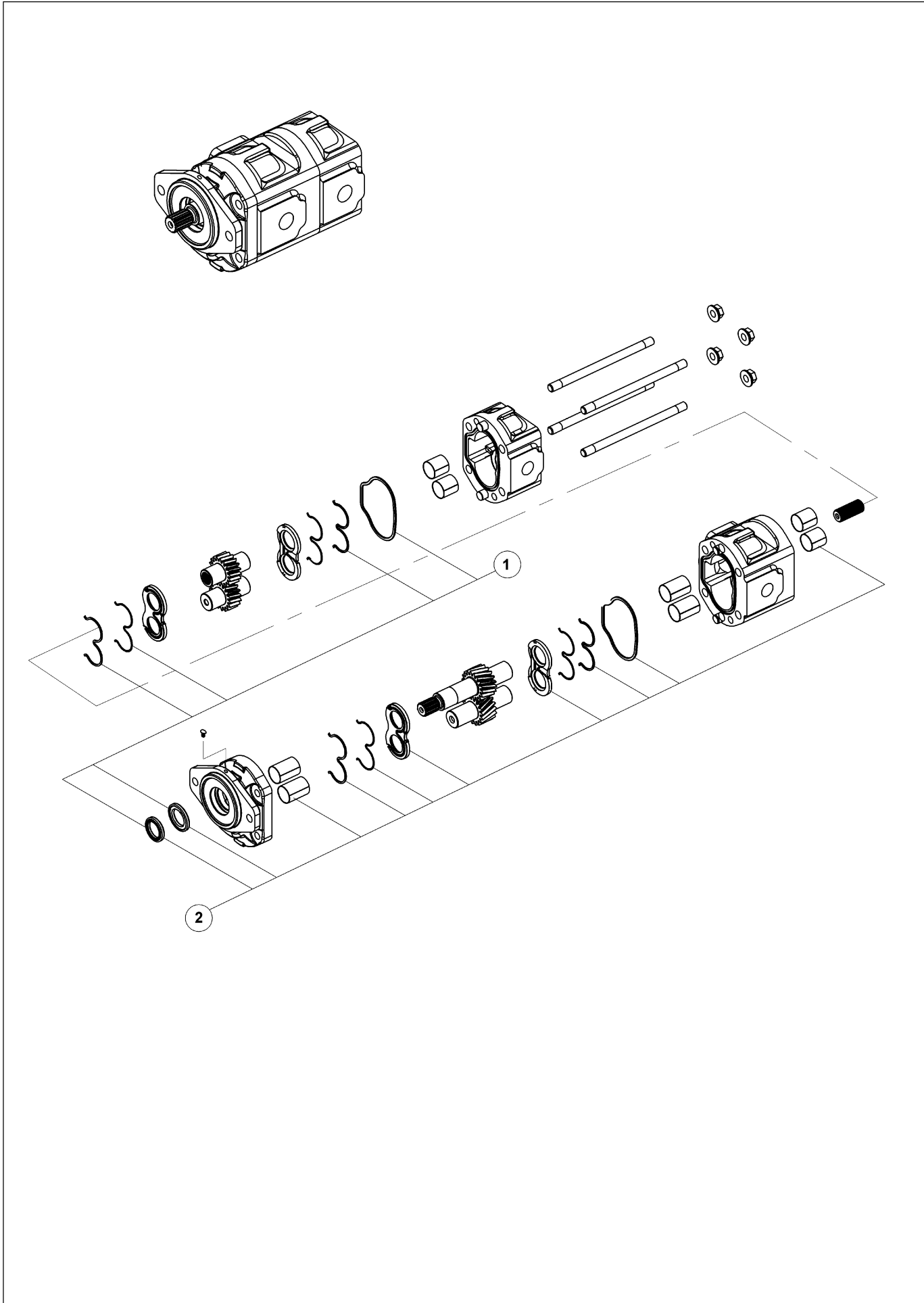
TABLA KAYDIRMA HİDROLİĞİ (OP)
POWER SLIDER HYDRAULIC (OP)



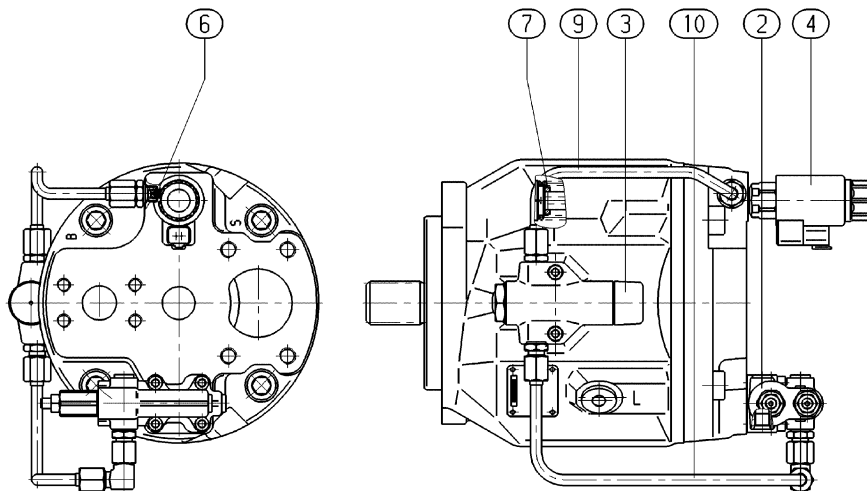
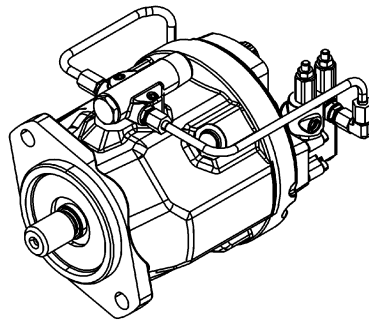
DİŞLİ POMPA GEAR PUMP



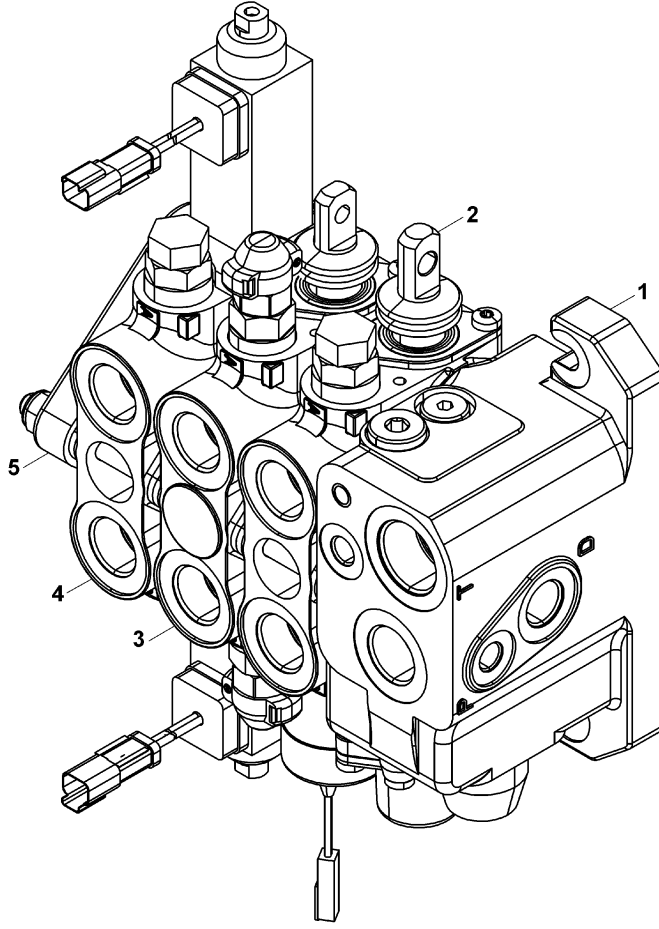
DİŞLİ POMPA GEAR PUMP



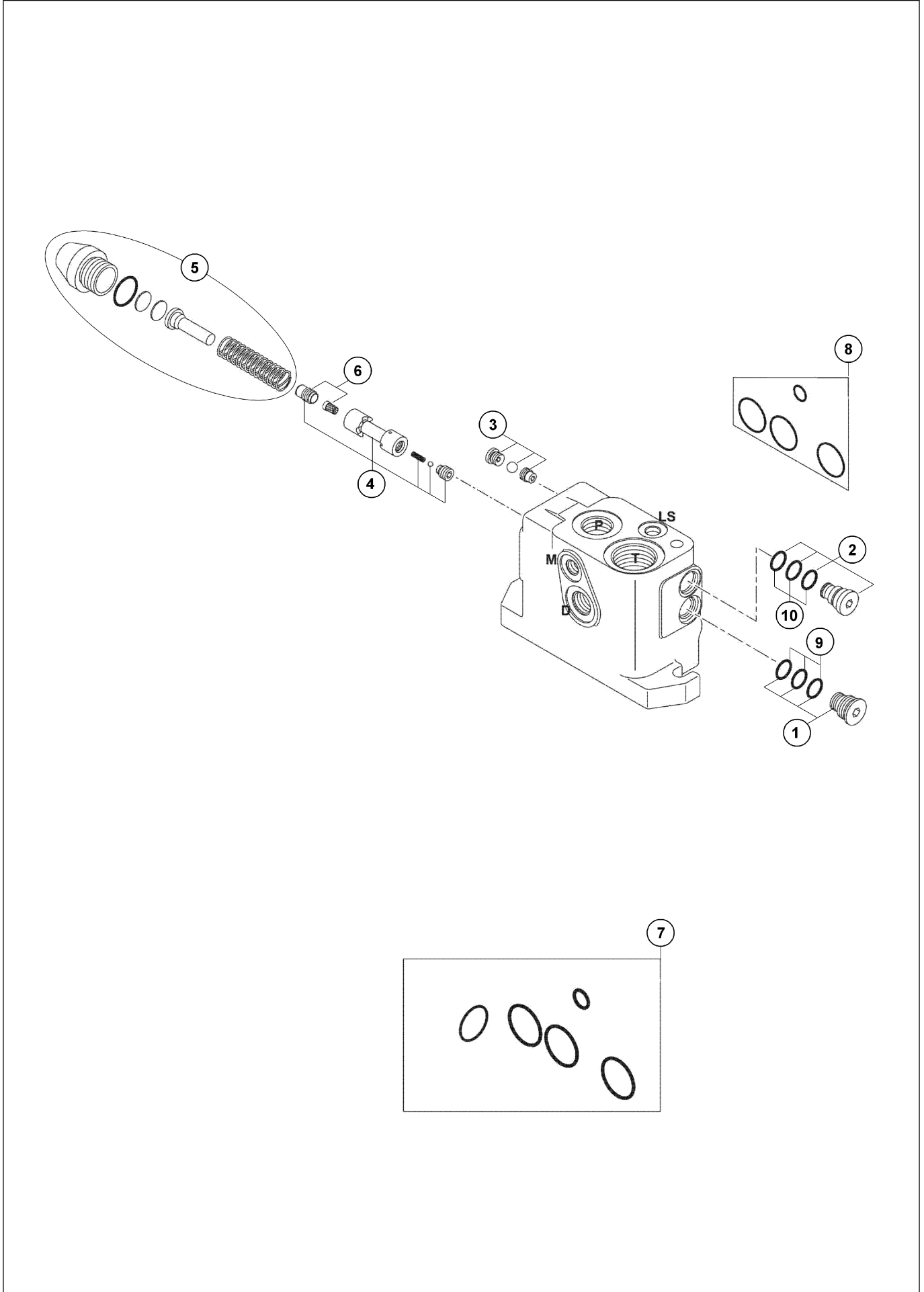
PISTONLU POMPA
PISTON PUMP



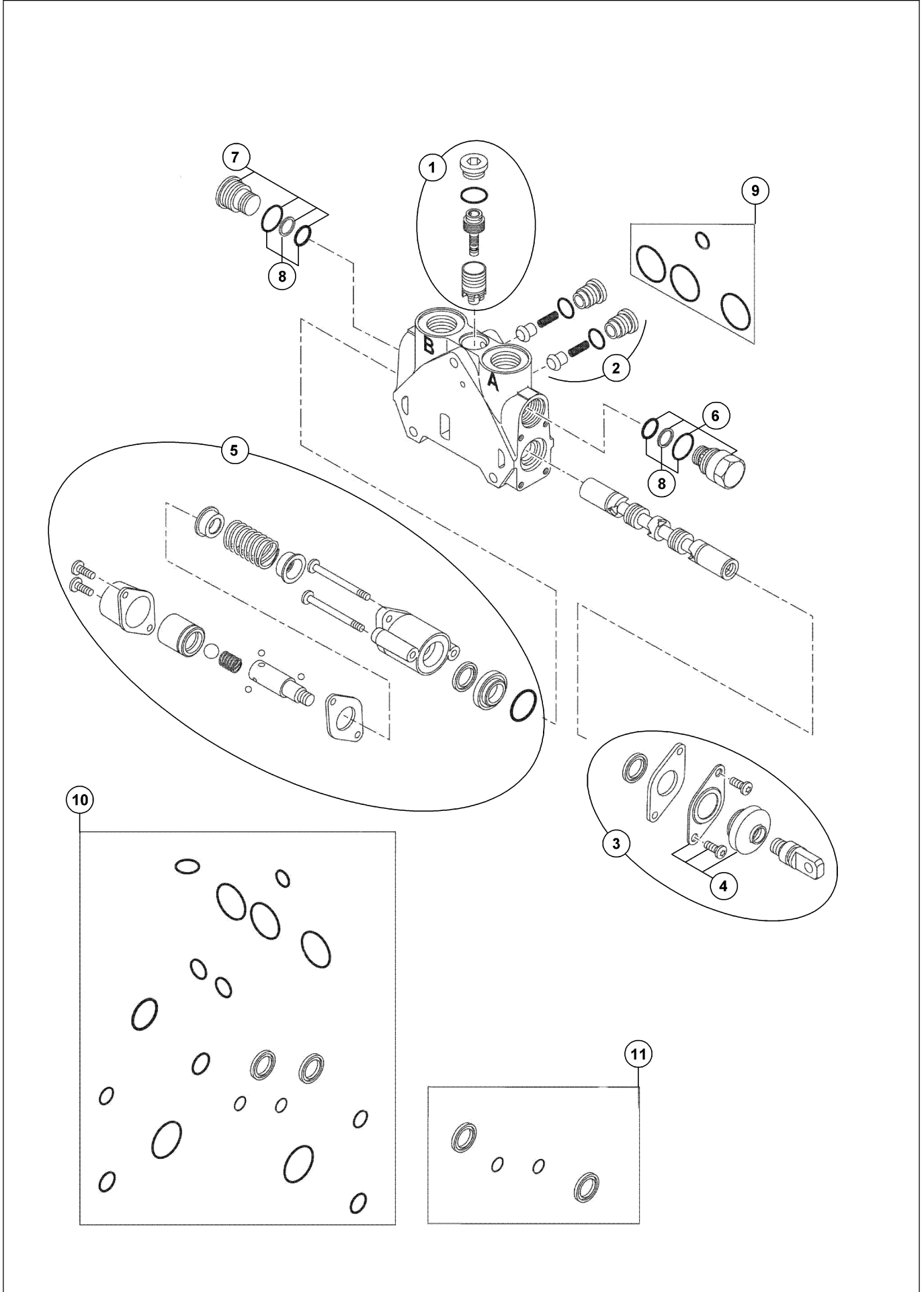
YÜKLEYİCİ KUMANDA VALFİ (TİP B-LS)
LOADER CONTROL VALVE, MECHANIC (TİP B-LS)



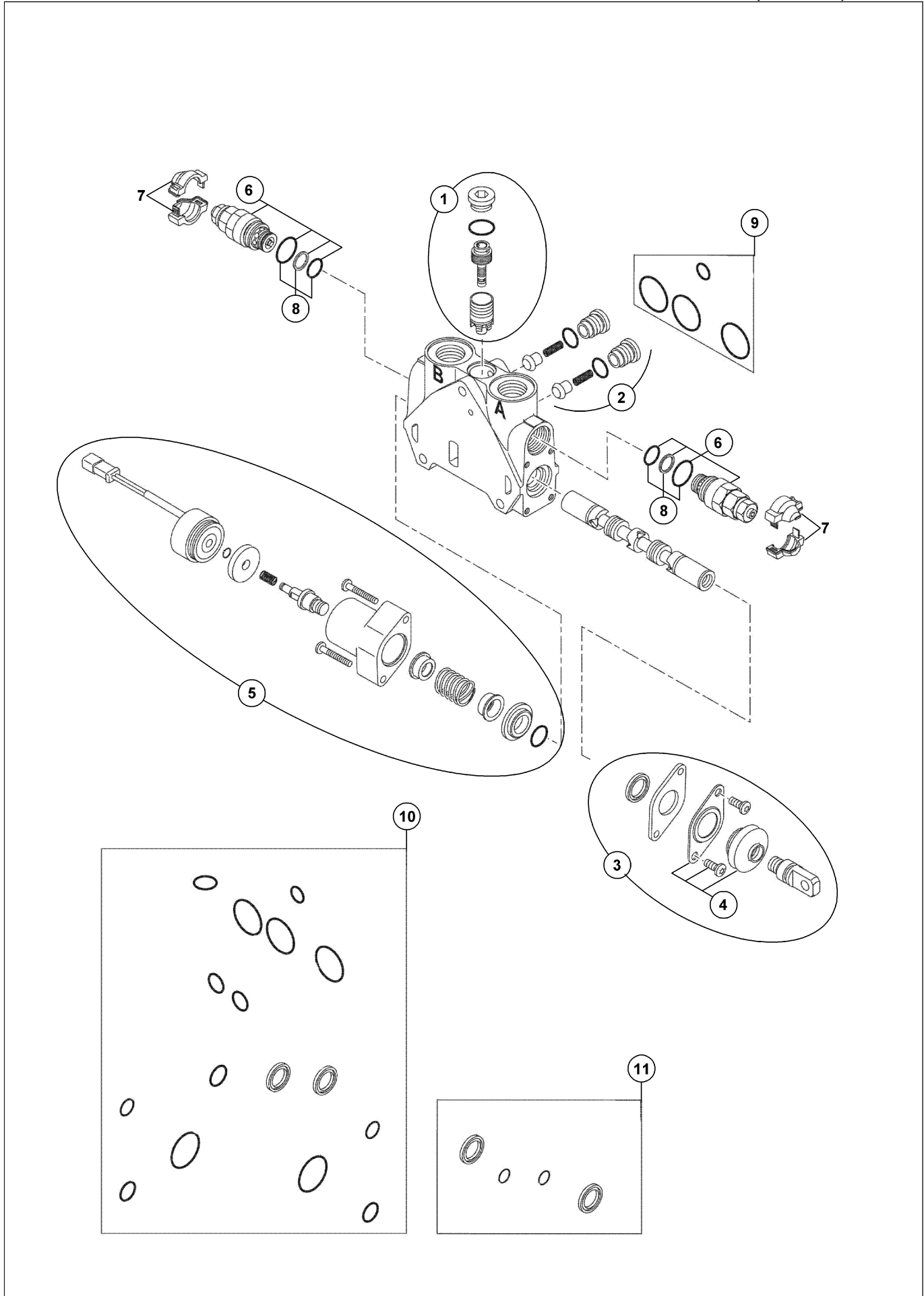
YÜKLEYİCİ KUMANDA VALFİ- GİRİŞ BLOĞU (TİP B)
LOADER CONTROL VALVE-INLET BLOCK (TYPE B)



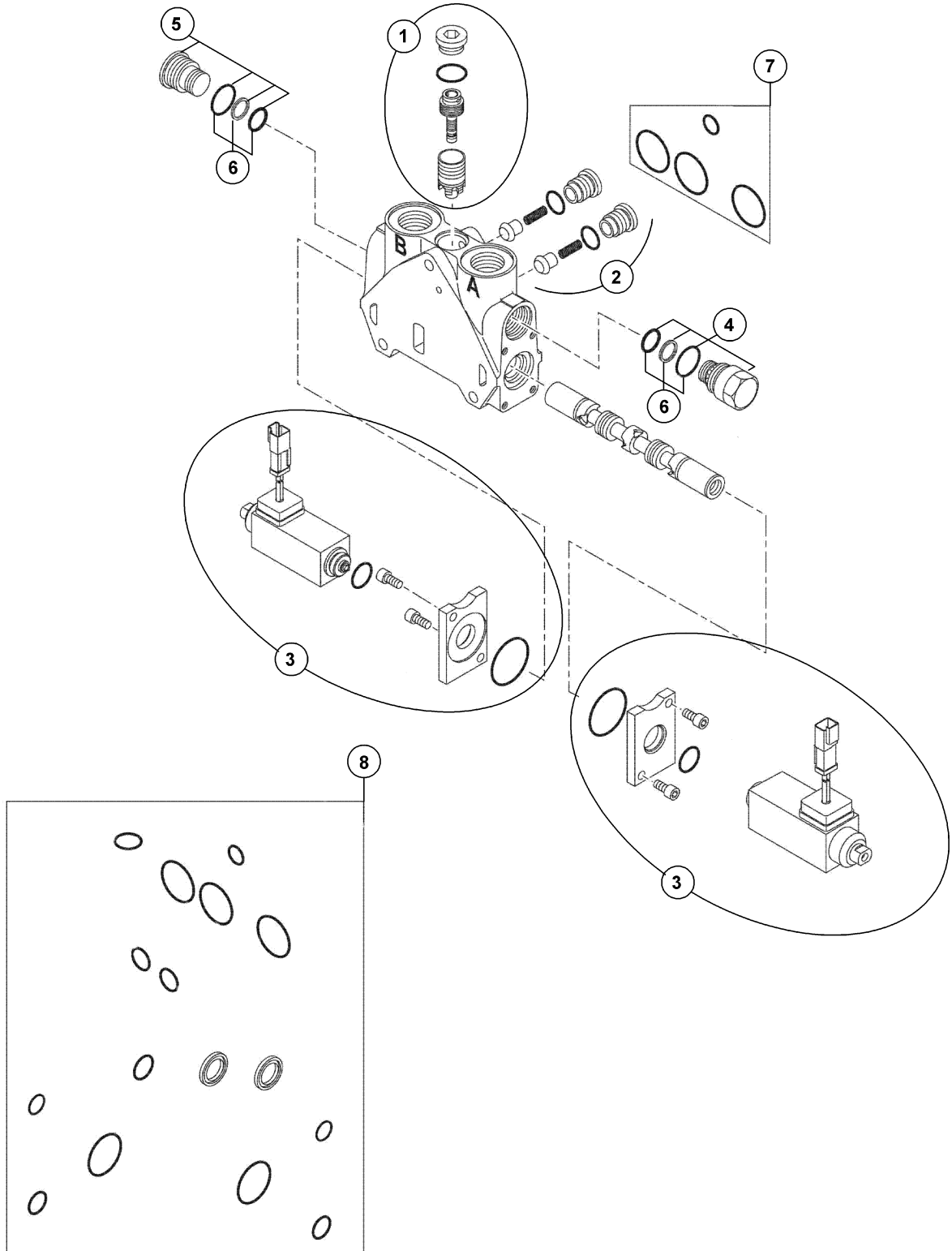
YÜKLEYİCİ KUMANDA VALFİ- KALDIRICI SİLİNDİR, KONTROL BLOĞU (TİP B)
LOADER CONTROL VALVE- LIFT CYLINDER CONTROL BLOCK (TYPE B)



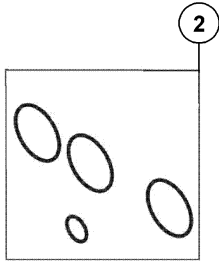
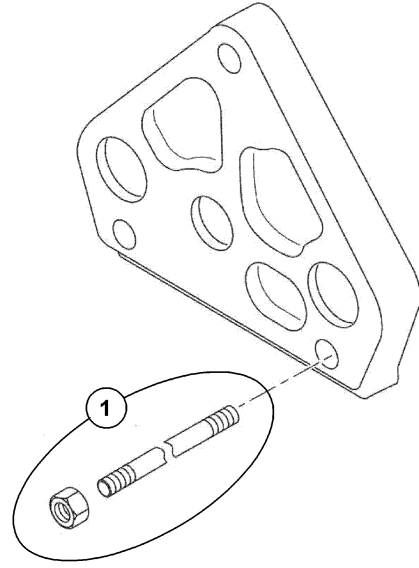
YÜKLEYİCİ KUMANDA VALFİ- ARM SİLİNDİR KONTROL, BLOĞU (TİP B)
LOADER CONTROL VALVE- ARM CYLINDER CONTROL BLOCK (TYPE B)



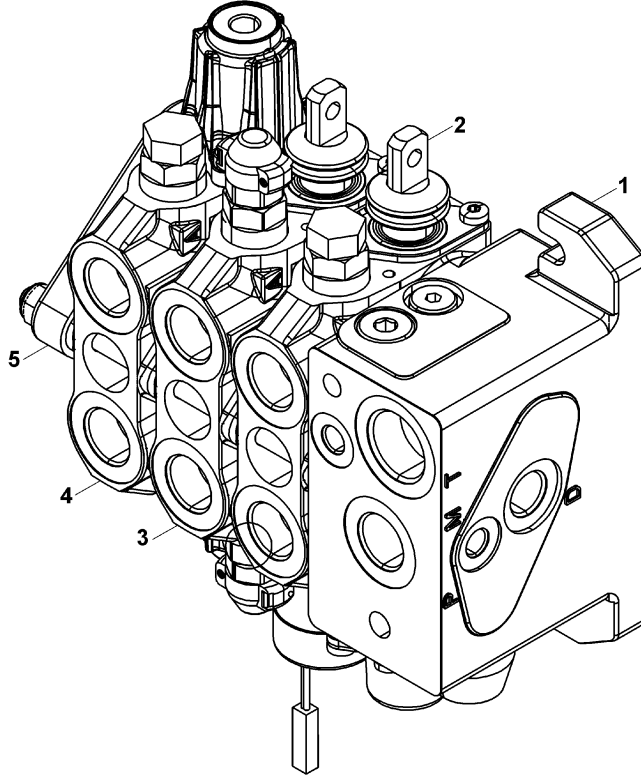
YÜKLEYİCİ KUMANDA VALFİ- AÇILIR KEPÇE SİLİNDİRİ, KONTROL BLOĞU(TİP B)
LOADER CONTROL VALVE- AÇILIR KEPÇE SİLİNDİRİ, KONTROL BLOĞU (TYPE B)



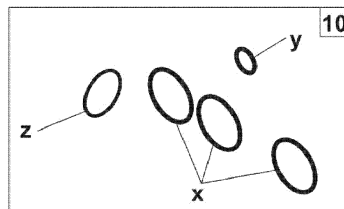
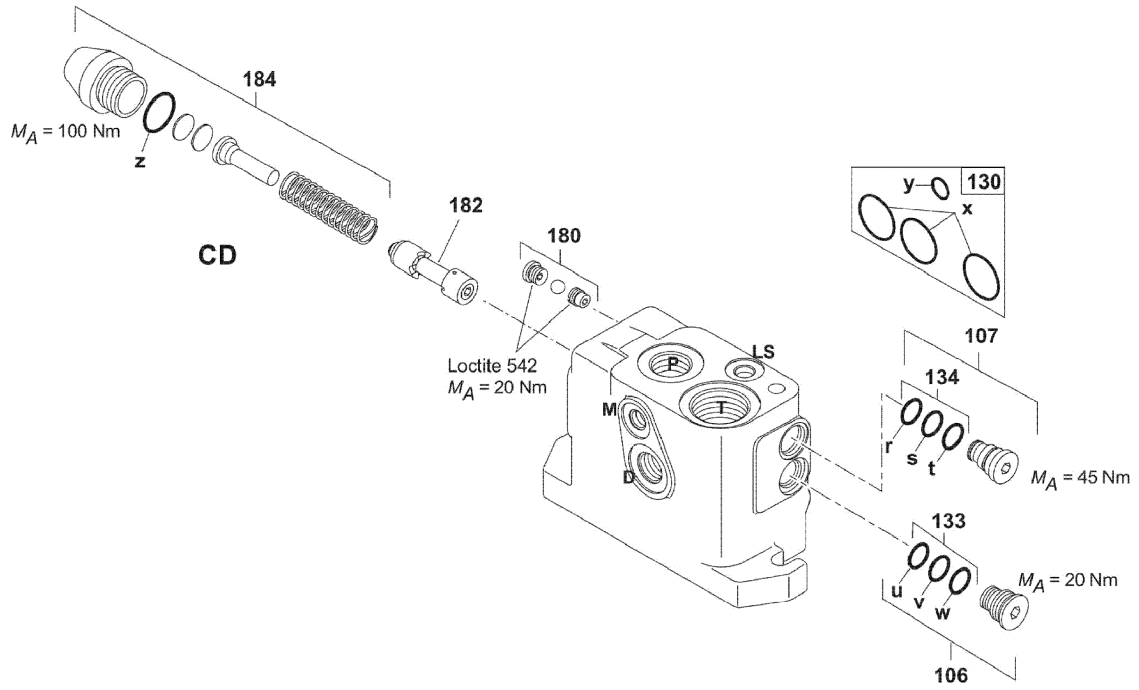
YÜKLEYİCİ KUMANDA VALFİ- ÇIKIŞ BLOĞU (TİP B)
LOADER CONTROL VALVE- OUTLET BLOCK (TYPE B)



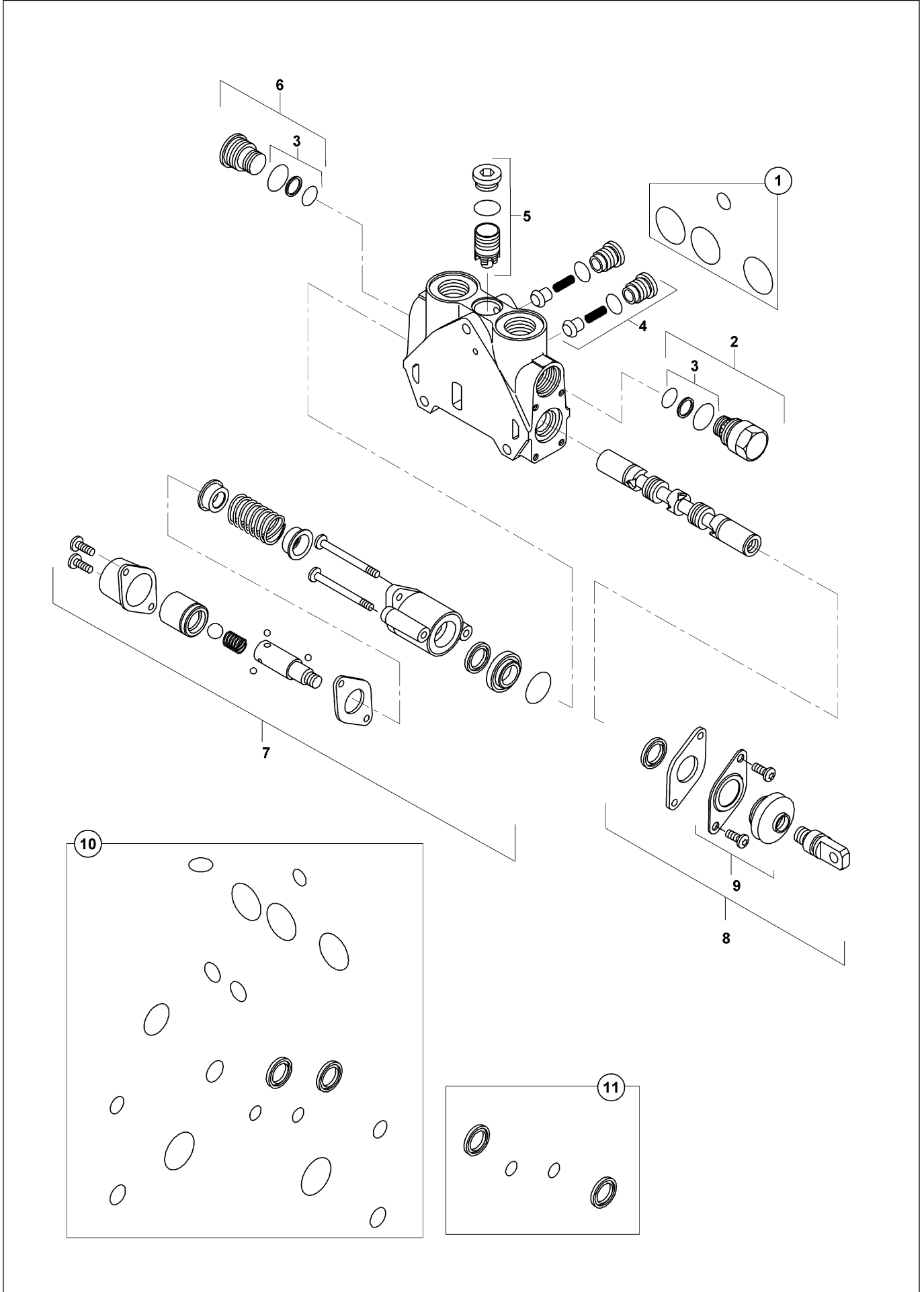
YÜKLEYİCİ KUMANDA VALFİ (TİP B-LS)
LOADER CONTROL VALVE, MECHANIC (TYPE B-LS)



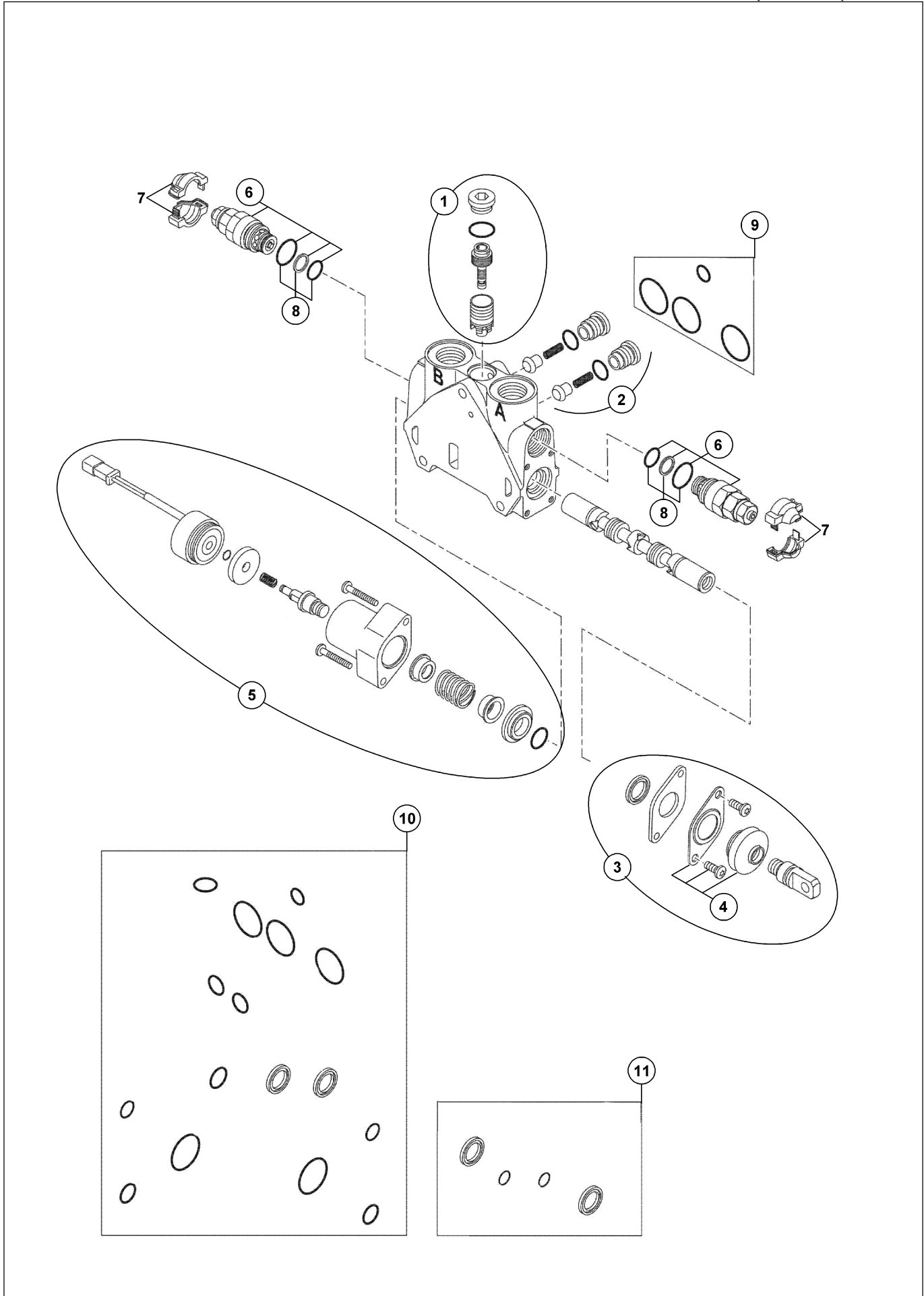
YÜKLEYİCİ KUMANDA VALFİ- GİRİŞ BLOĞU (TİP B)
 LOADER CONTROL VALVE-INLET BLOCK (TYPE B)



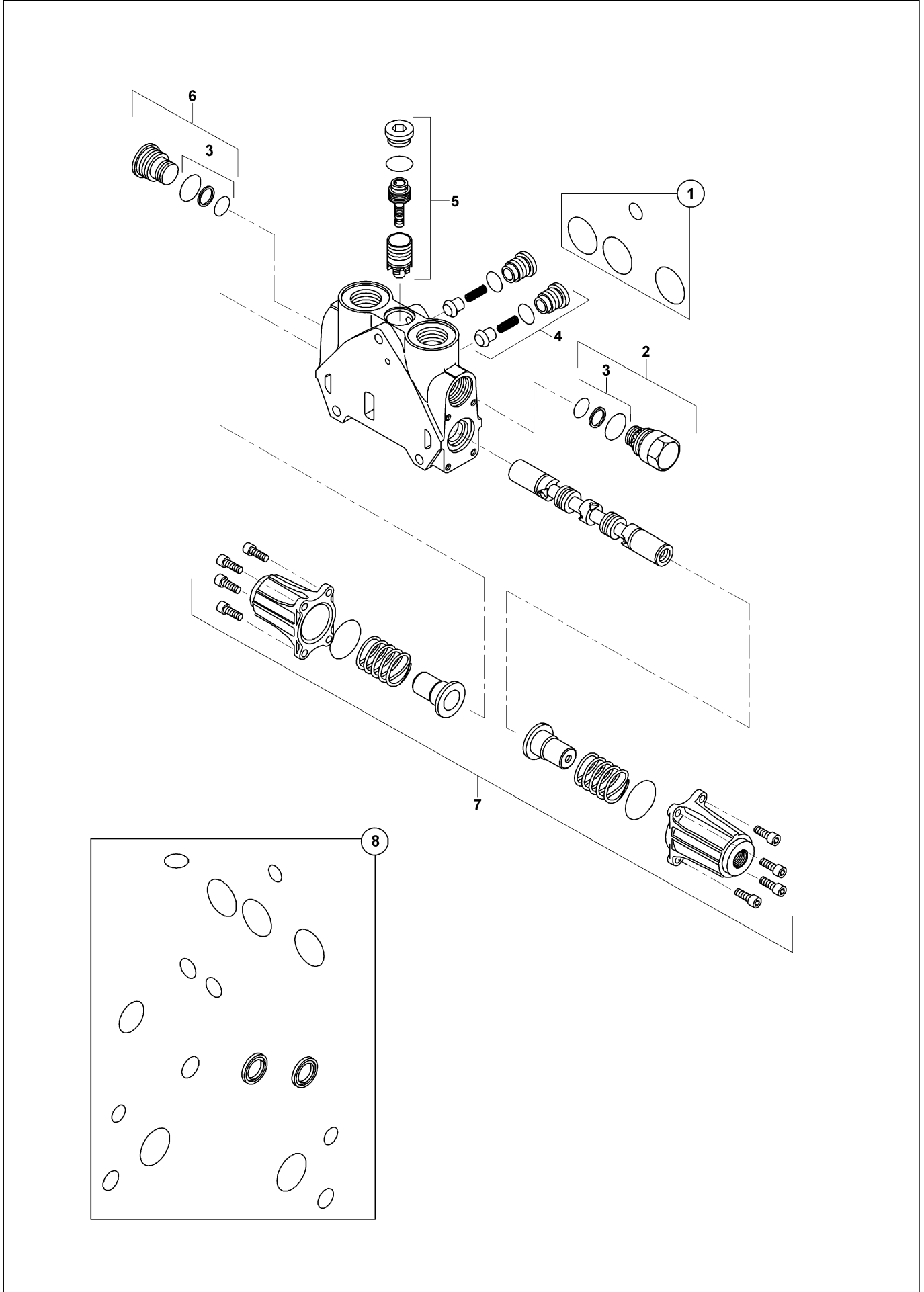
YÜKLEYİCİ KUMANDA VALFİ- KALDIRICI SİLİNDİR, KONTROL BLOĞU (TİP B)
LOADER CONTROL VALVE- LIFT CYLINDER CONTROL BLOCK (TYPE B)



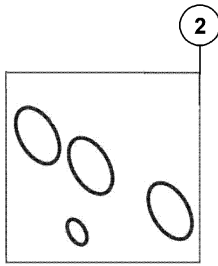
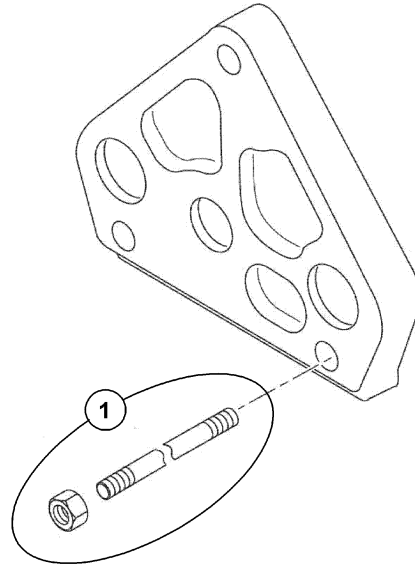
YÜKLEYİCİ KUMANDA VALFİ- ARM SİLİNDİR KONTROL, BLOĞU (TİP B)
LOADER CONTROL VALVE- ARM CYLINDER CONTROL BLOCK (TYPE B)



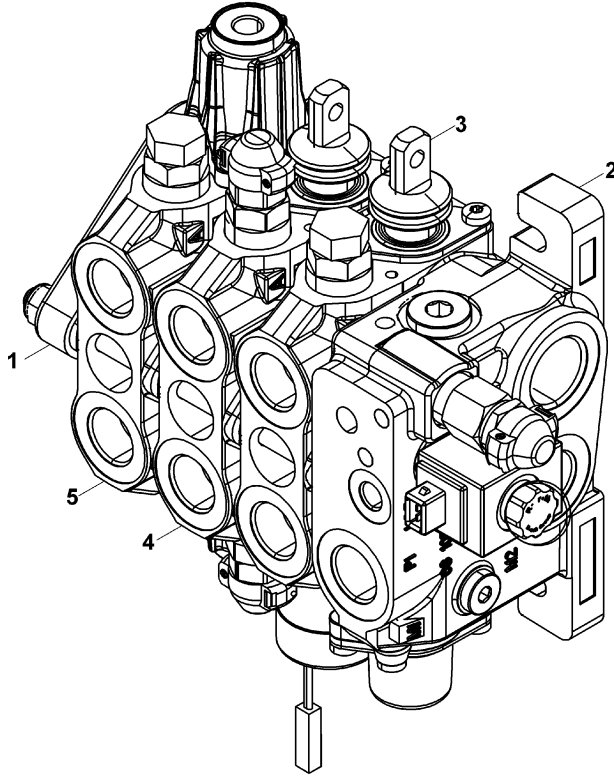
YÜKLEYİCİ KUMANDA VALFİ- AÇILIR KEPÇE SİLİNDİRİ, KONTROL BLOĞU(TİP B)
LOADER CONTROL VALVE- CLAMSHOVEL RAM CONTROL BLOCK (TYPE B)



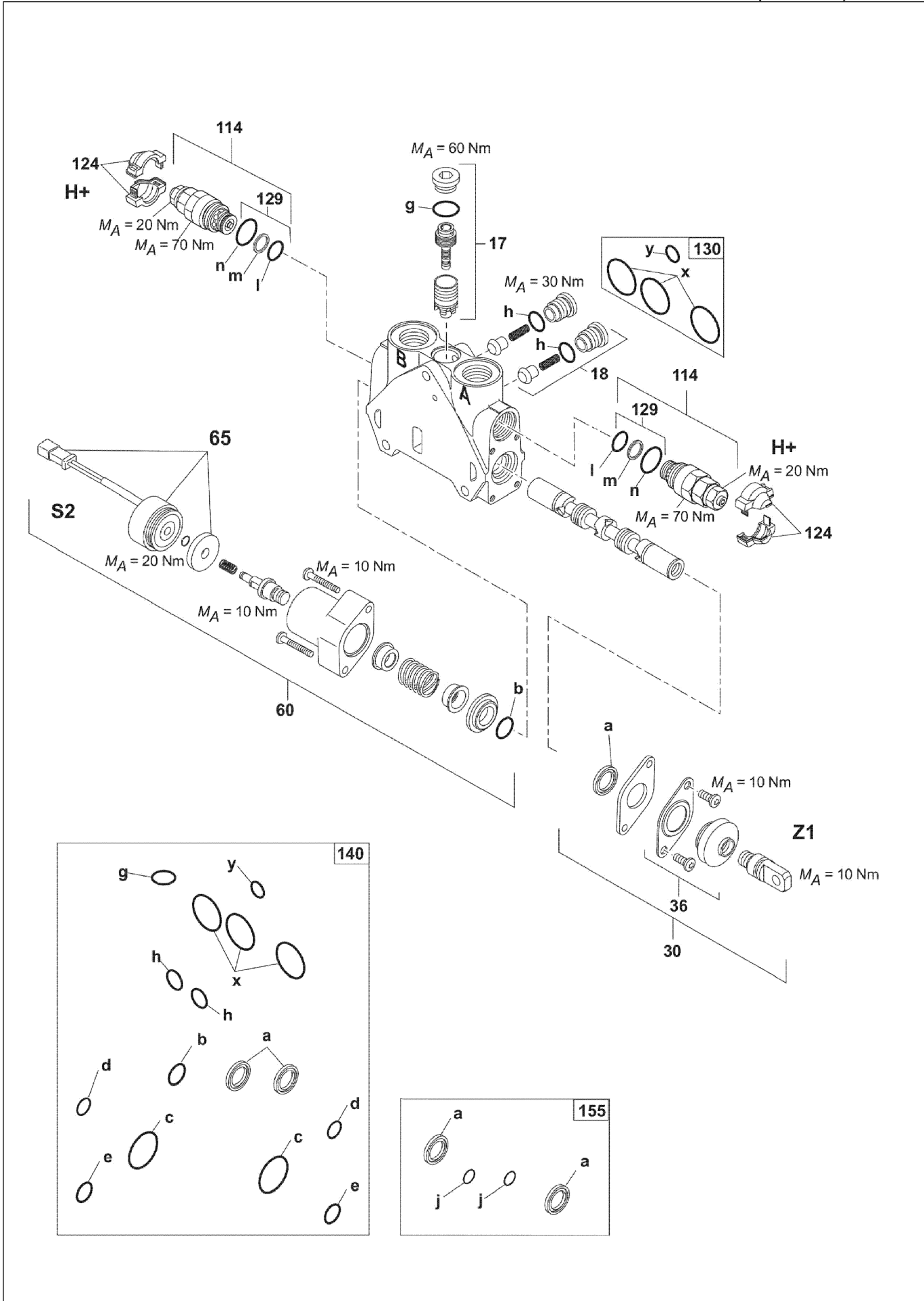
YÜKLEYİCİ KUMANDA VALFİ- ÇIKIŞ BLOĞU (TİP B)
LOADER CONTROL VALVE- OUTLET BLOCK (TYPE B)



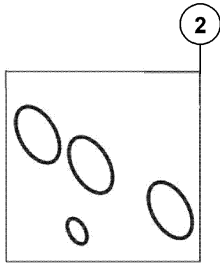
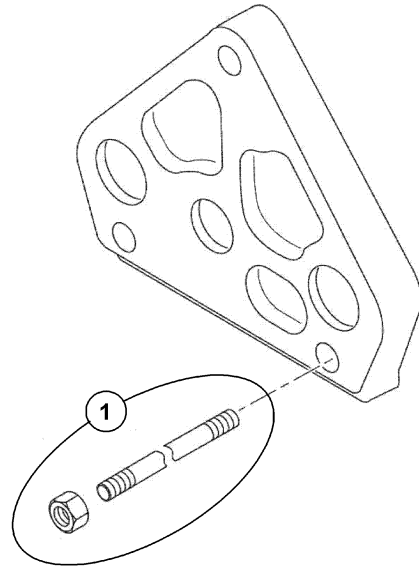
YÜKLEYİCİ KUMANDA VALFİ (TİP B - PB)
LOADER CONTROL VALVE, MECHANIC (TYPE B - PB)



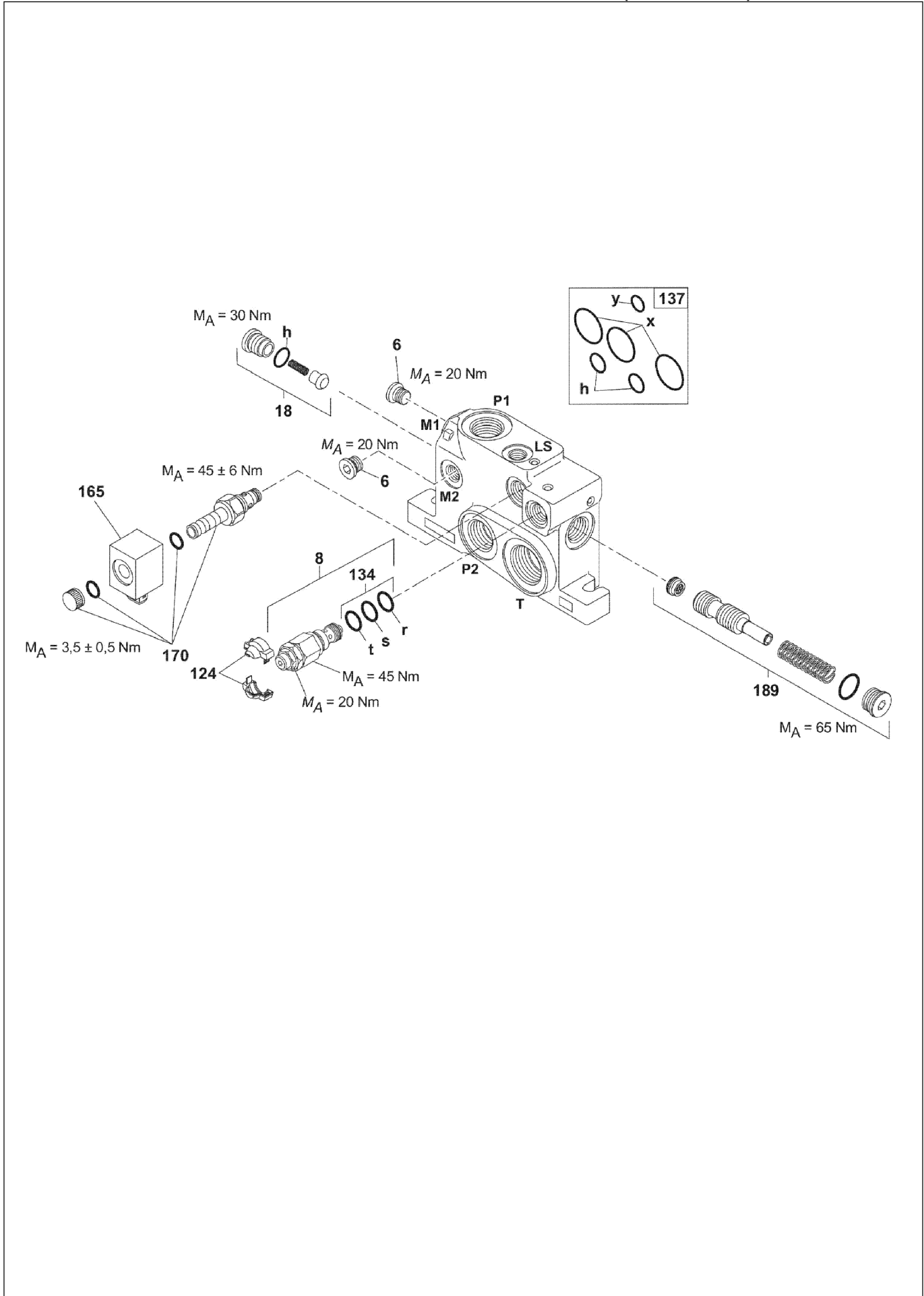
YÜKLEYİCİ KUMANDA VALFİ- ARM SİLİNDİR KONTROL, BLOĞU (TİP B)
LOADER CONTROL VALVE- ARM CYLINDER CONTROL BLOCK (TYPE B)



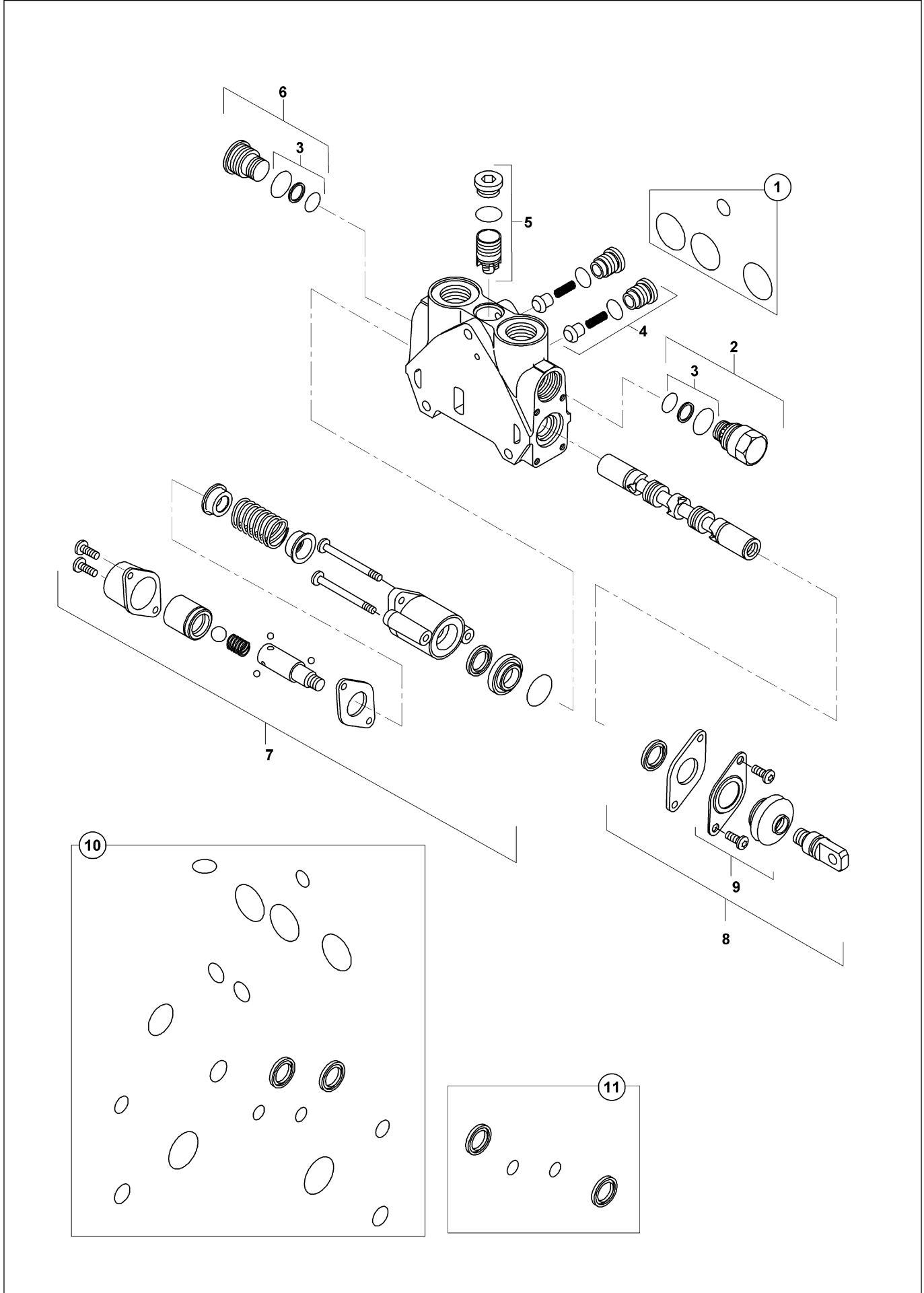
YÜKLEYİCİ KUMANDA VALFİ- ÇIKIŞ BLOĞU (TİP B)
LOADER CONTROL VALVE- OUTLET BLOCK (TYPE B)



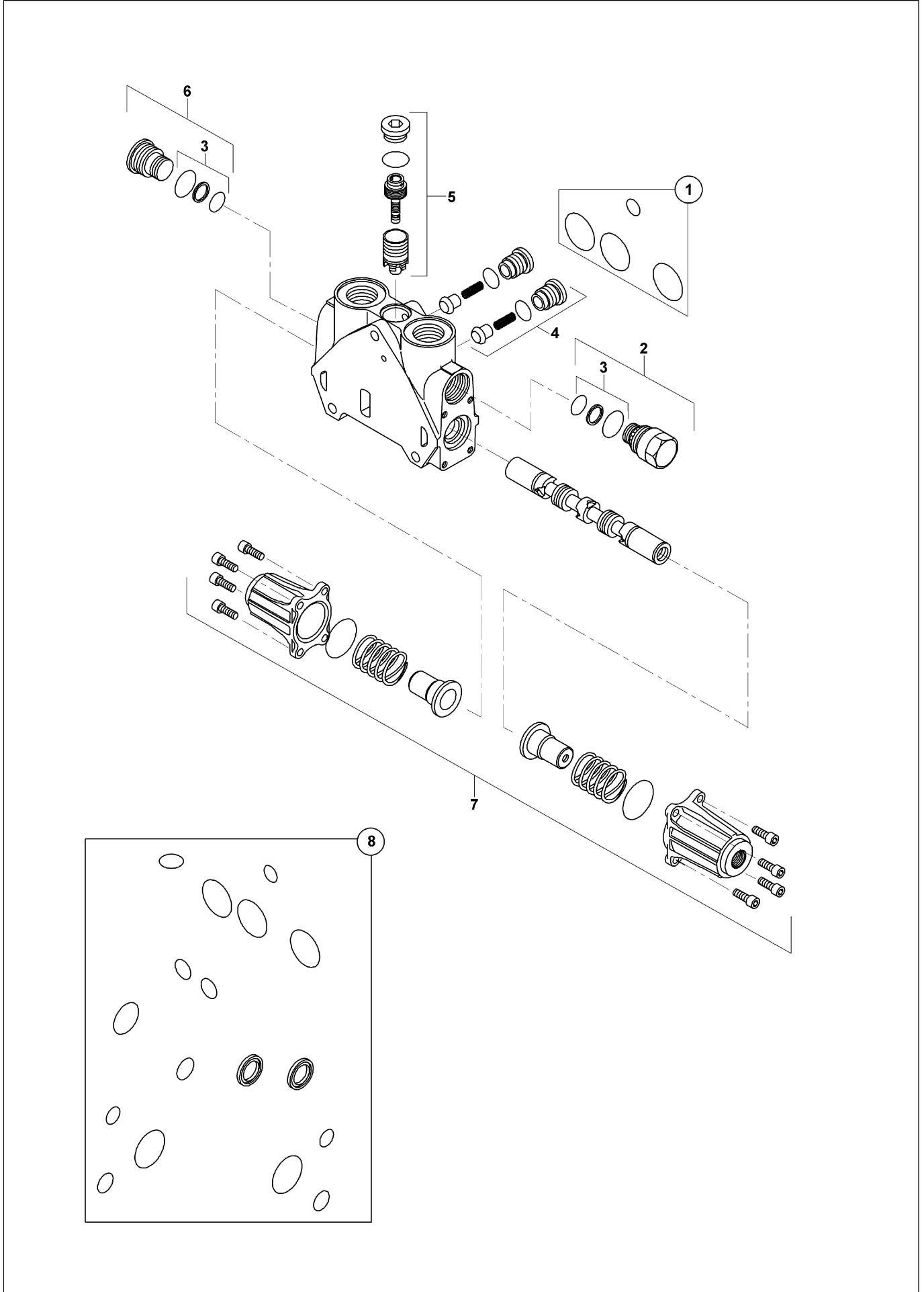
YÜKLEYİCİ KUMANDA VALFİ- GİRİŞ BLOĞU (TİP B-PB)
 LOADER CONTROL VALVE-INLET BLOCK (TYPE B-PB)



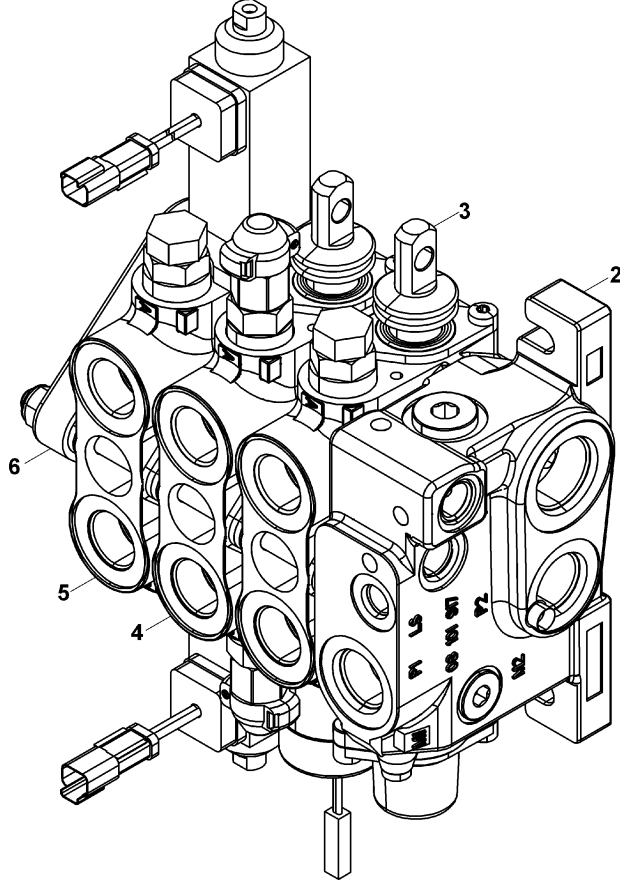
YÜKLEYİCİ KUMANDA VALFİ- KALDIRICI SİLİNDİR, KONTROL BLOĞU (TİP B)
LOADER CONTROL VALVE- LIFT CYLINDER CONTROL BLOCK (TYPE B)



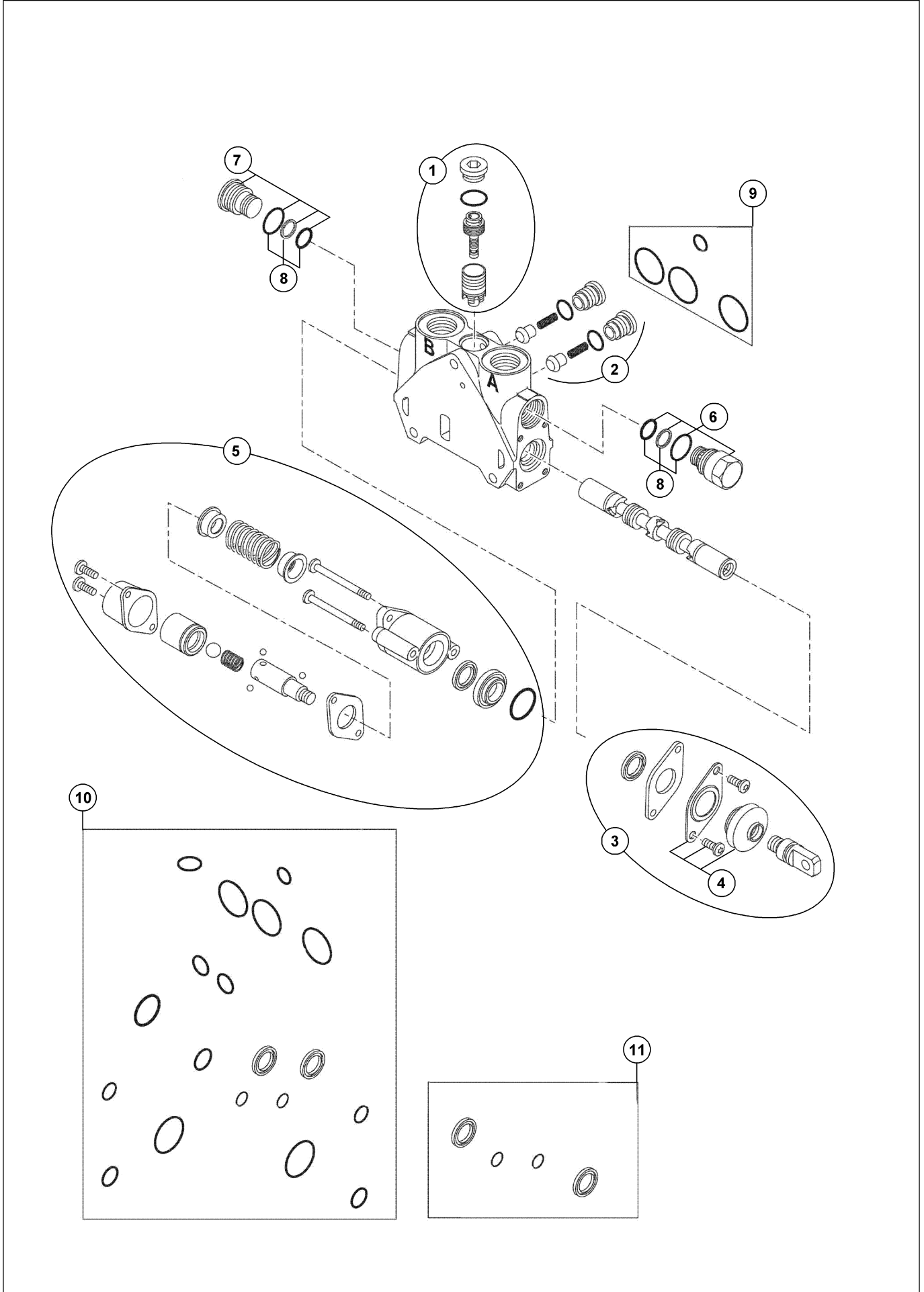
YÜKLEYİCİ KUMANDA VALFİ-AÇILIR KEPÇE SİLİNDİRİ,KONTROL BLOĞU(TİP B)
LOADER CONTROL VALVE- CLAMSHOVEL RAM CONTROL BLOCK (TYPE B)



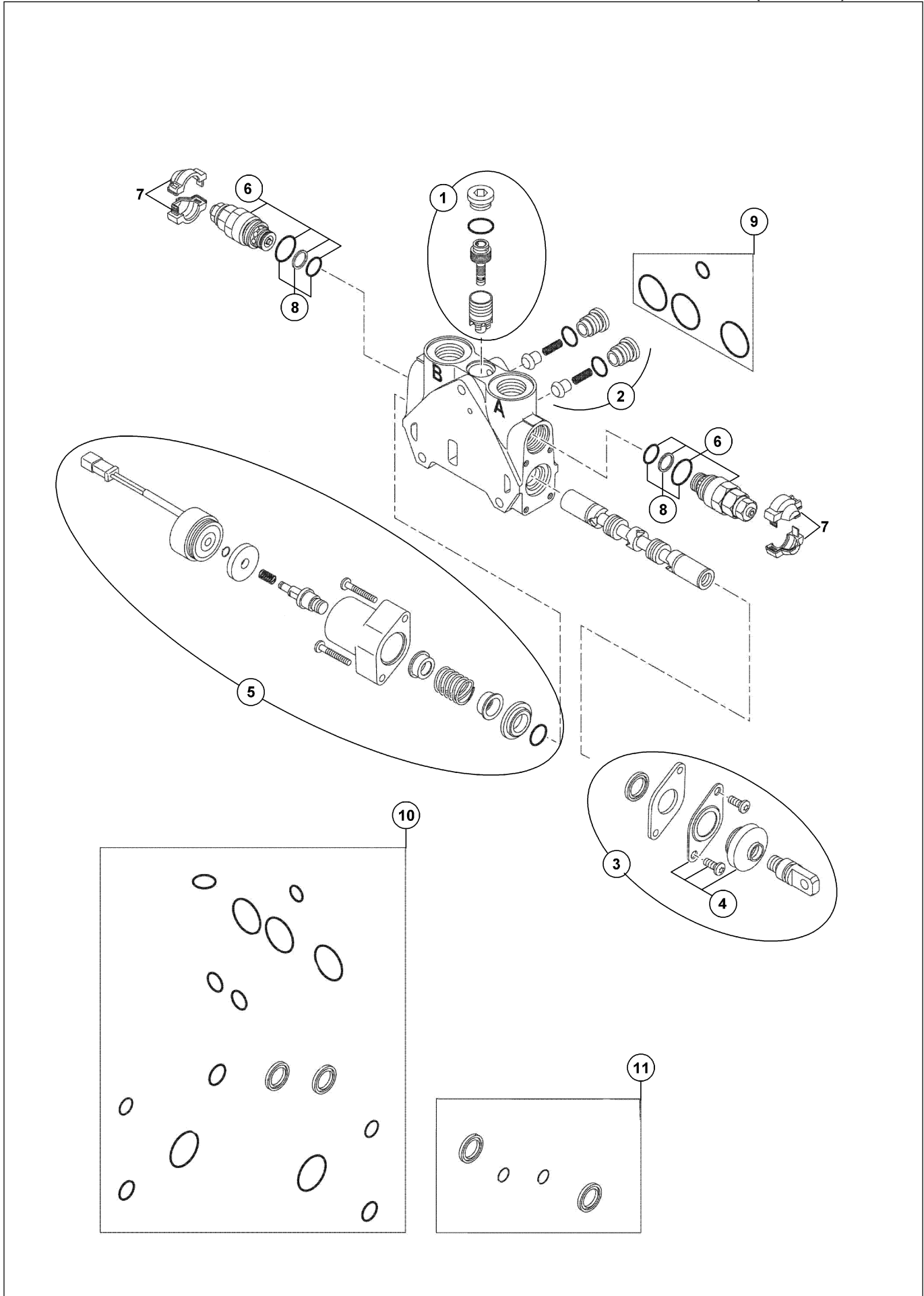
YÜKLEYİCİ KUMANDA VALFİ (TİP B-PB)
LOADER CONTROL VALVE, MECHANIC (TİP B-PB)



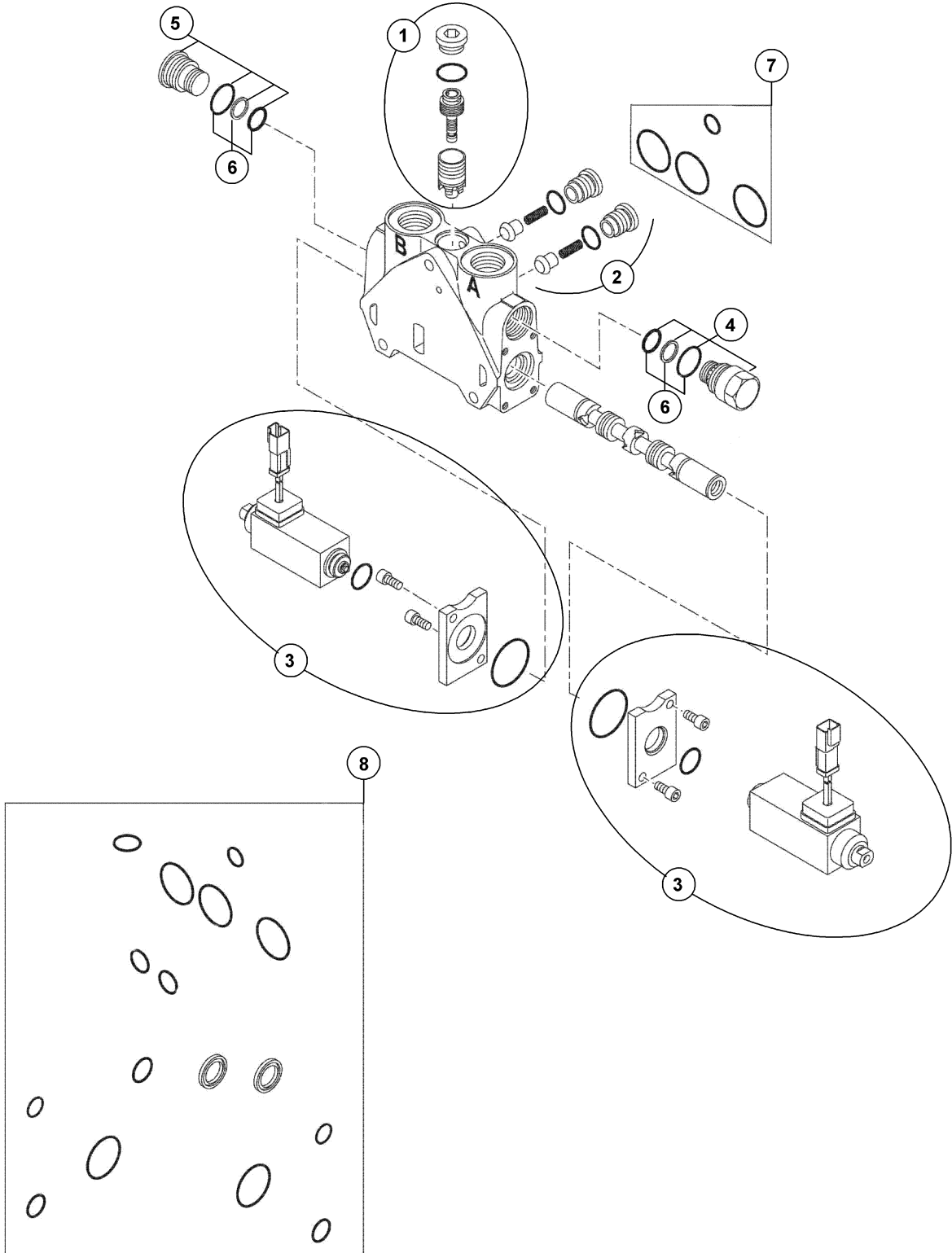
YÜKLEYİCİ KUMANDA VALFİ (TİP B-PB)
LOADER CONTROL VALVE, MECHANIC (TİP B-PB)



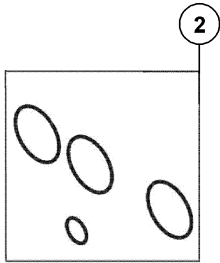
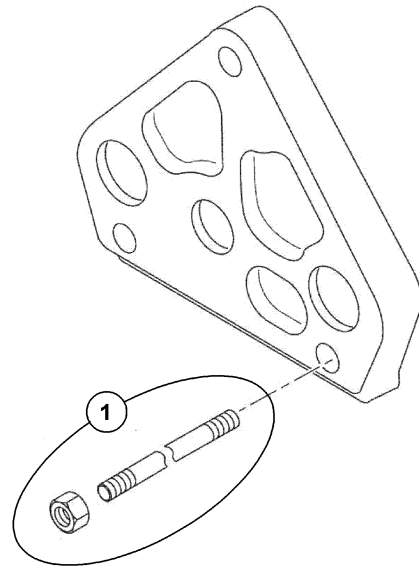
YÜKLEYİCİ KUMANDA VALFİ- ARM SİLİNDİR KONTROL, BLOĞU (TİP B)
LOADER CONTROL VALVE- ARM CYLINDER CONTROL BLOCK (TYPE B)



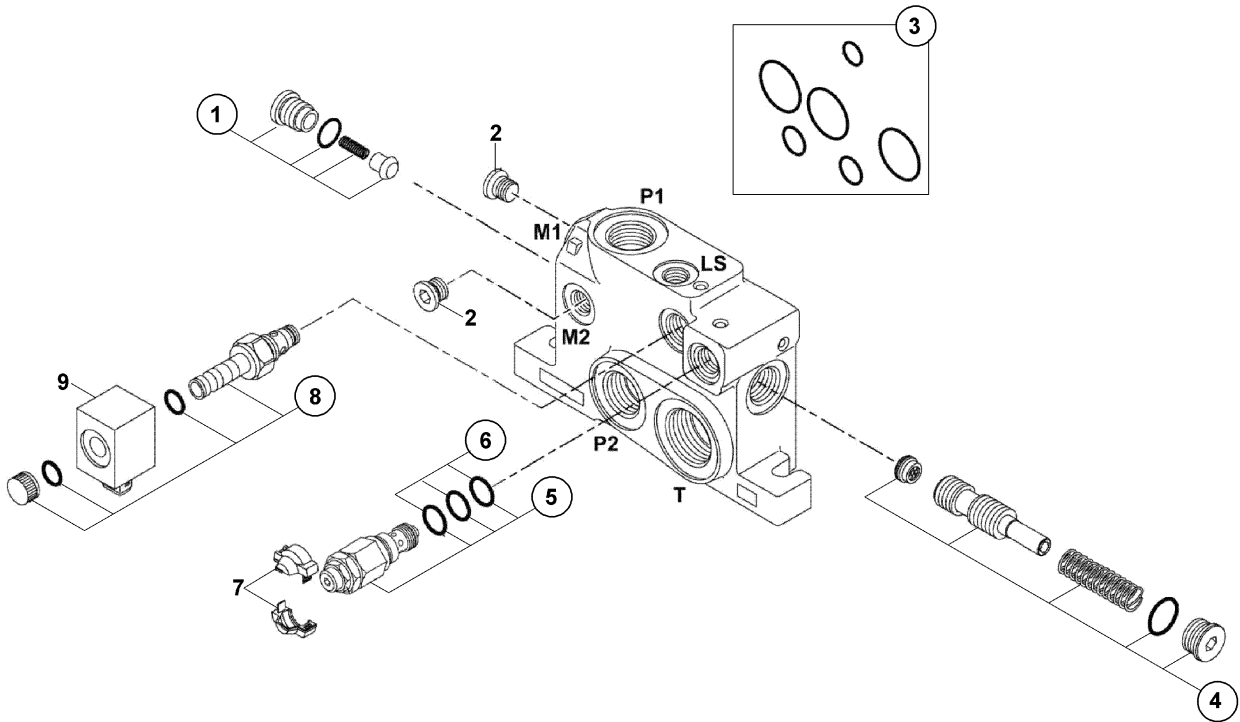
YÜKLEYİCİ KUMANDA VALFİ- AÇILIR KEPÇE SİLİNDİRİ, KONTROL BLOĞU(TİP B)
LOADER CONTROL VALVE- CLAMSHOVEL RAM CONTROL BLOCK (TYPE B)



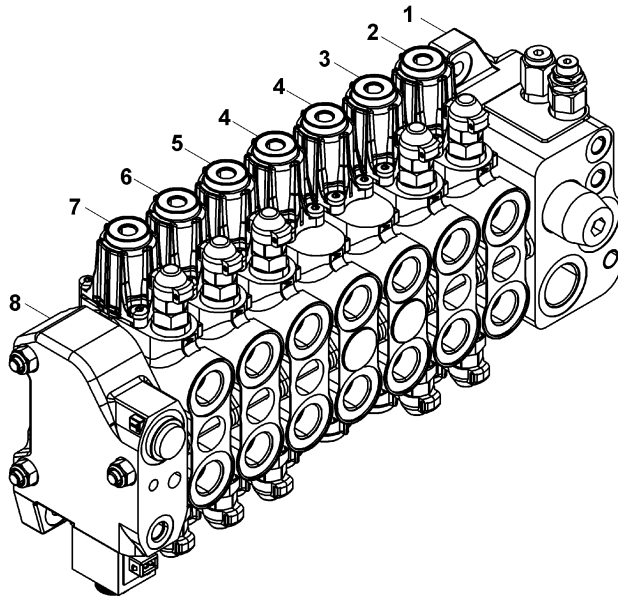
YÜKLEYİCİ KUMANDA VALFİ- ÇIKIŞ BLOĞU (TİP B)
LOADER CONTROL VALVE- OUTLET BLOCK (TYPE B)



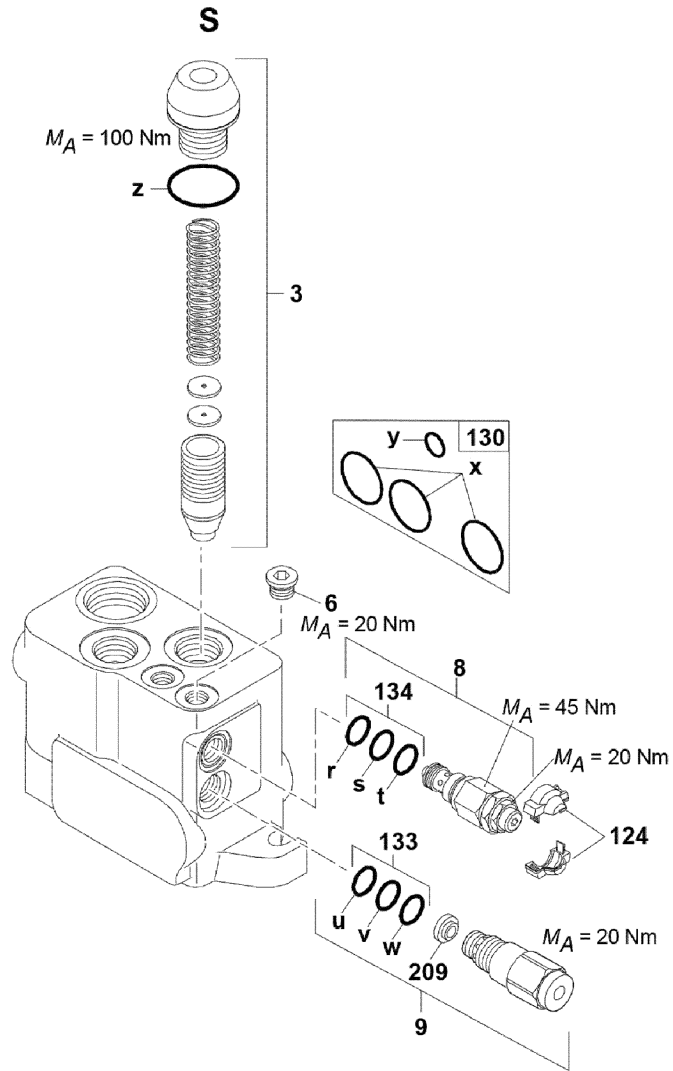
YÜKLEYİCİ KUMANDA VALFİ- GİRİŞ BLOĞU (TİP B-PB)
LOADER CONTROL VALVE-INLET BLOCK (TYPE B-PB)



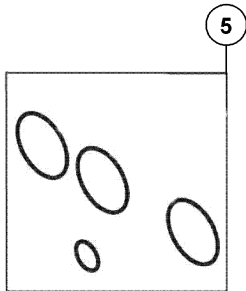
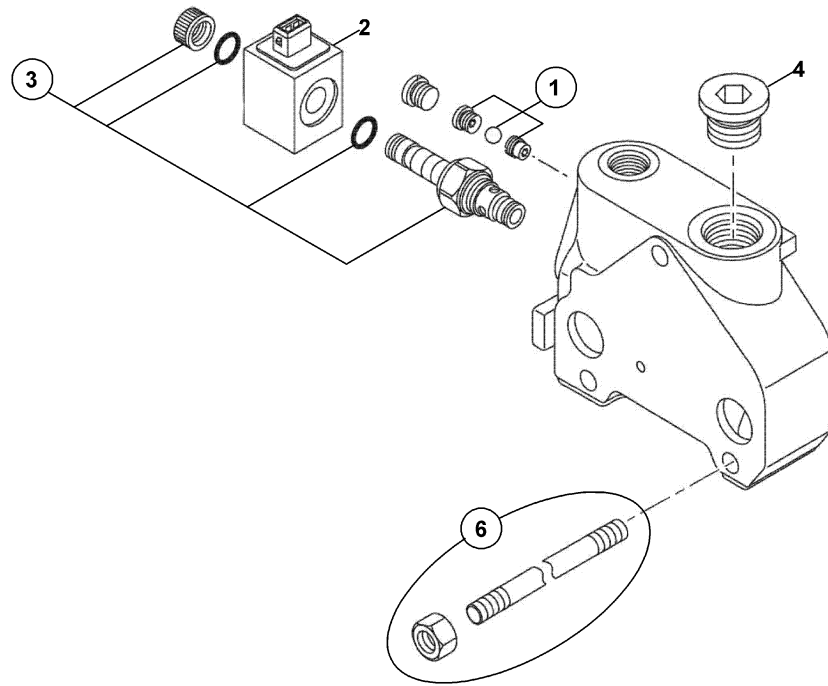
KAZICI KUMANDA VALFİ, JOYSTICK (PİSTONLU POMPA & TİP B, FS)
BACKHOE CONTROL VALVE, JOYSTICK (PISTON PUMP & TYPE B, FS)



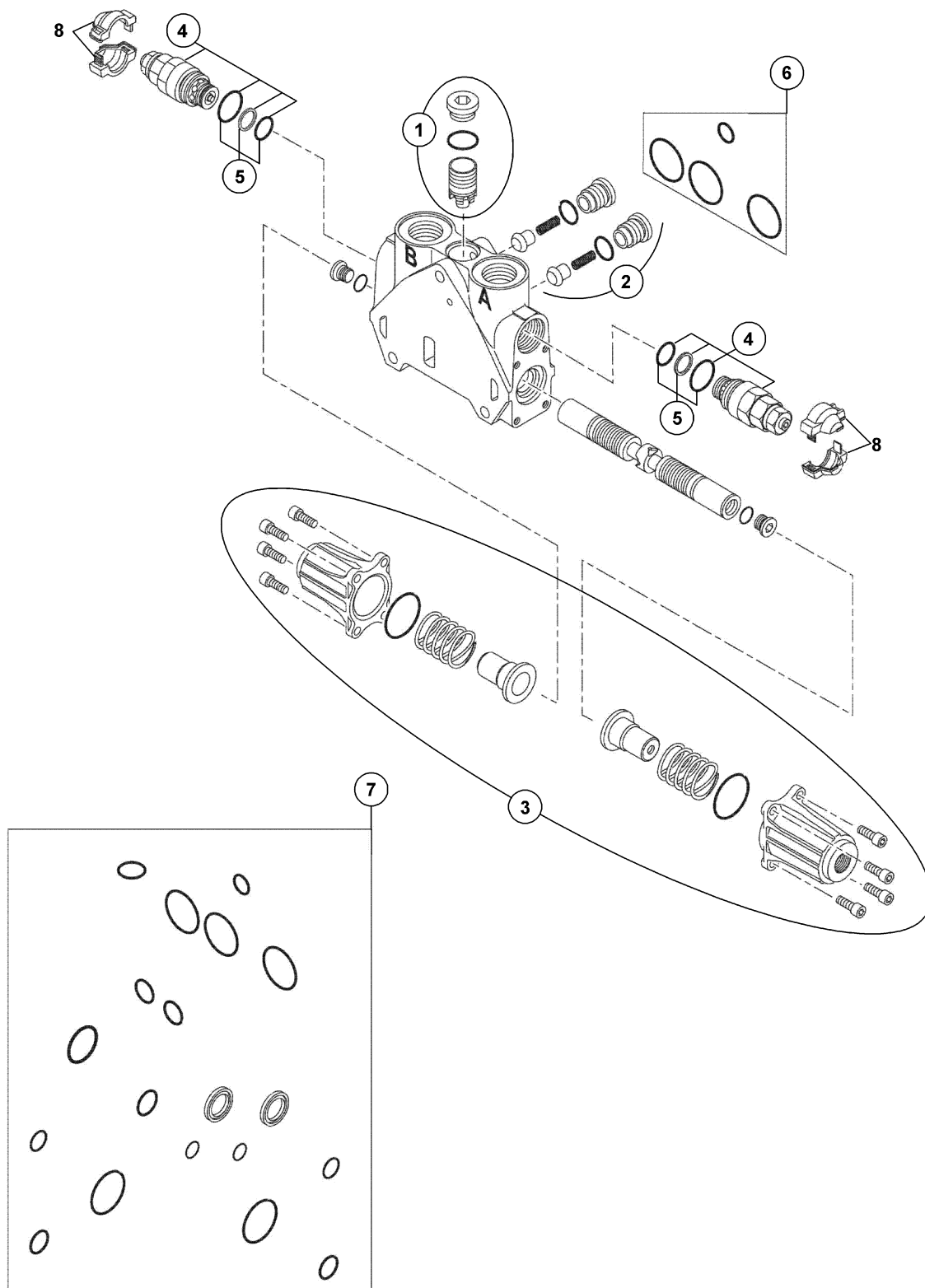
KAZICI KUMANDA VALFİ- GİRİŞ BLOĞU (TİP B)
BACKHOE CONTROL VALVE-INLET BLOCK (TYPE B)



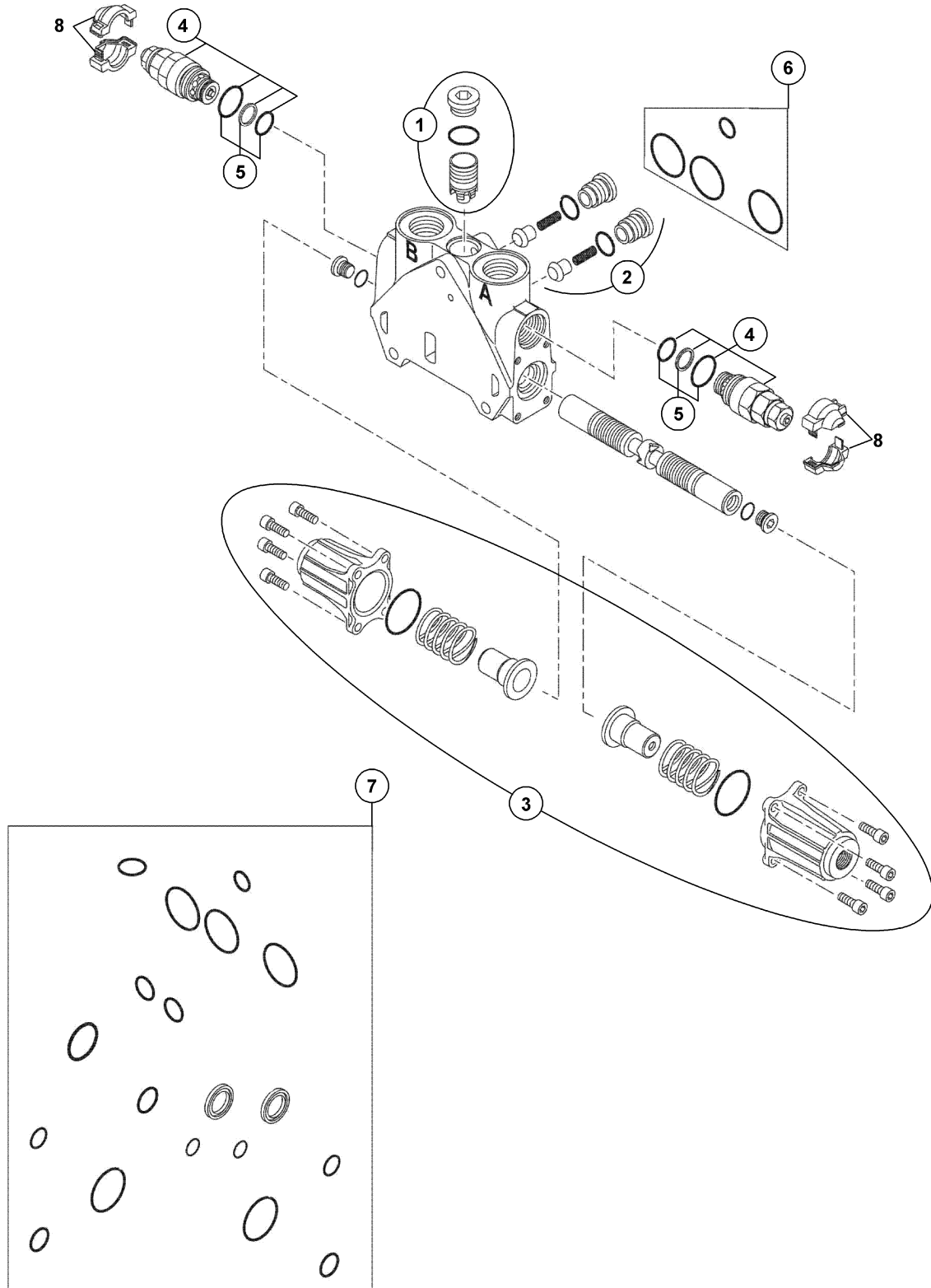
KAZICI KUMANDA VALFİ- ÇIKIŞ BLOĞU (TİP B)
BACKHOE CONTROL VALVE -OUTLET BLOCK (TYPE B)



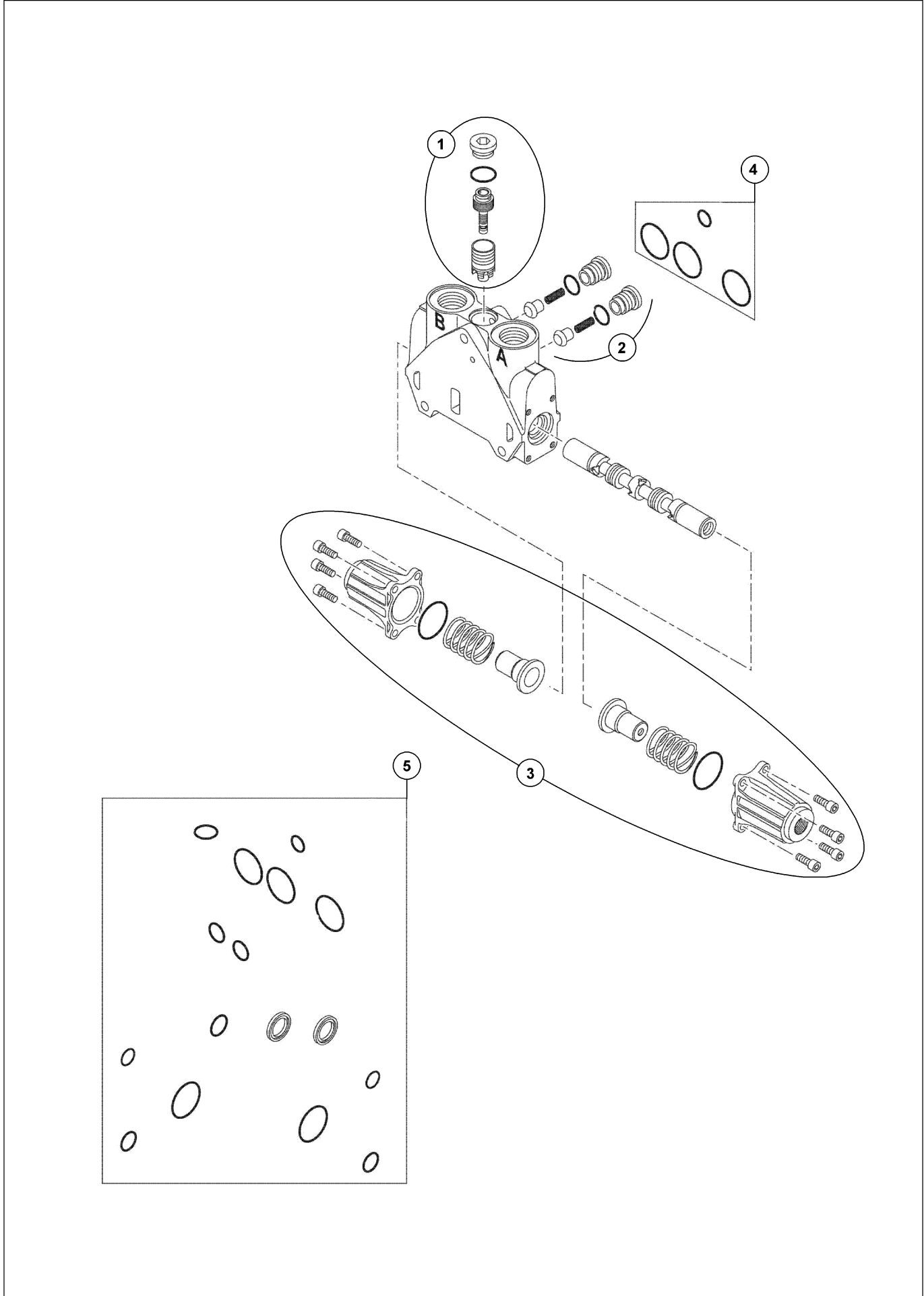
KAZICI KUMANDA VALFİ ARM KONTROL BLOĞU, JOYSTICK (TİP B) (OP)
BACKHOE CONTROL VALVE ARM CONTROL BLOCKS, JOYSTICK (TYPE B) (OP)



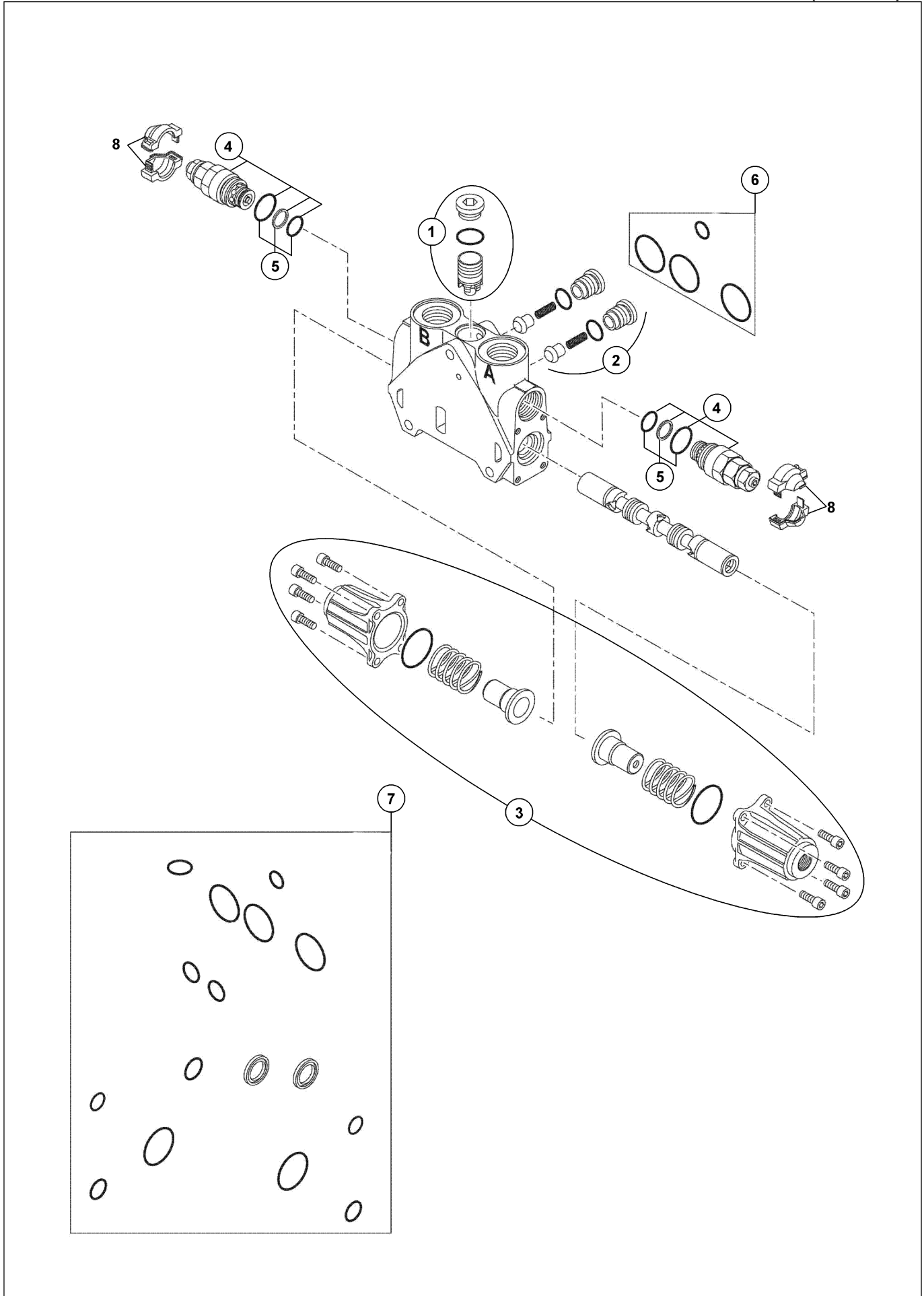
KAZICI KUMANDA VALFİ- DÖNÜŞ SİLİNDİRİ KONTROL BLOĞU, JOYSTICK (TİP B) (OP)
BACKHOE CONTROL VALVE-SLEW SWING RAM CONTROL BLOCK, JOYSTICK (TYPE



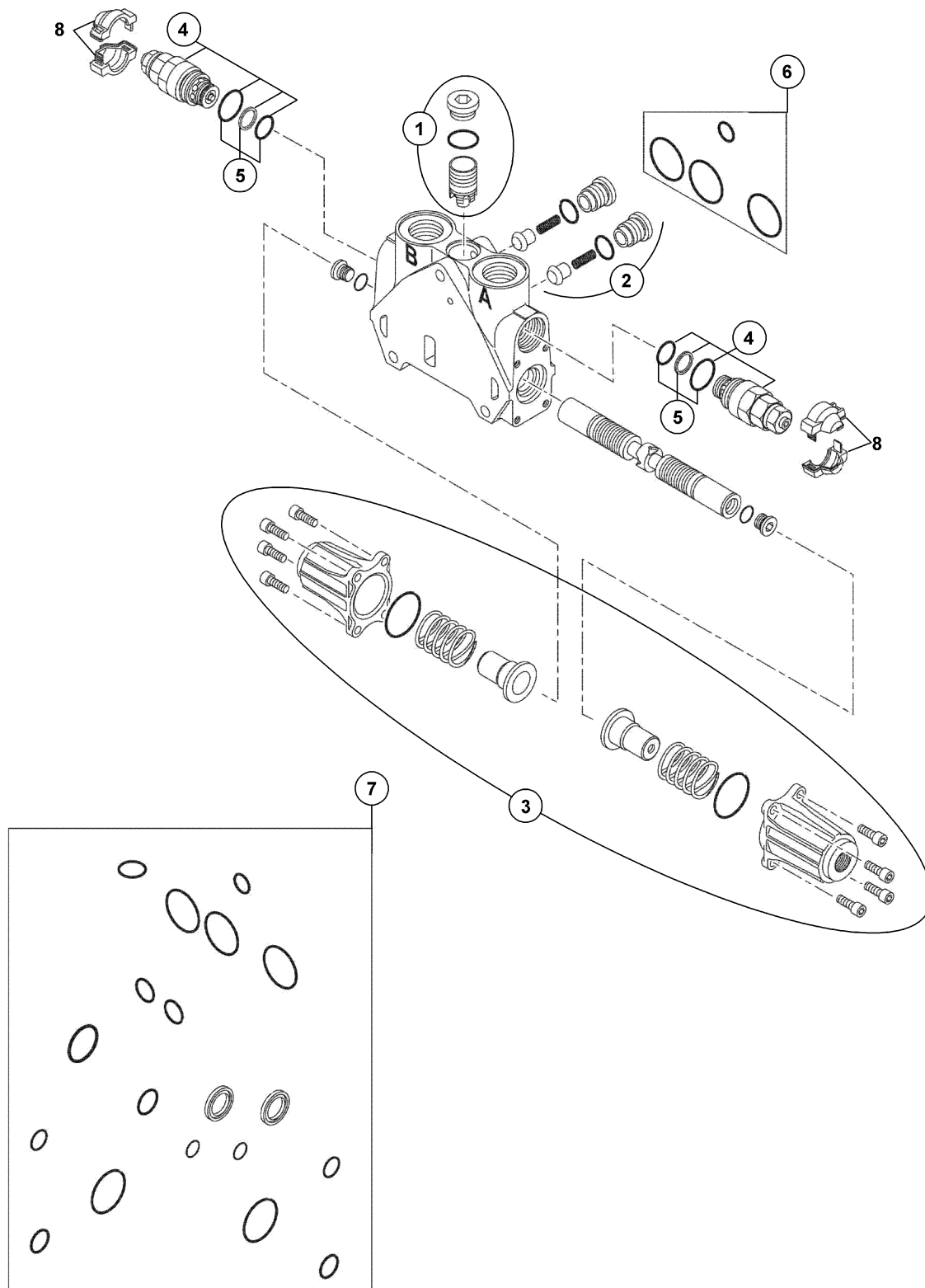
**KAZICI KUMANDA VALFİ- AYAK SİLİNDİRİ KONTROL BLOĞU, JOYSTICK (TİP B) (OP)
BACKHOE CONTROL VALVE-STABILIZER RAM CONTROL BLOCK, JOYSTICK (TYPE**



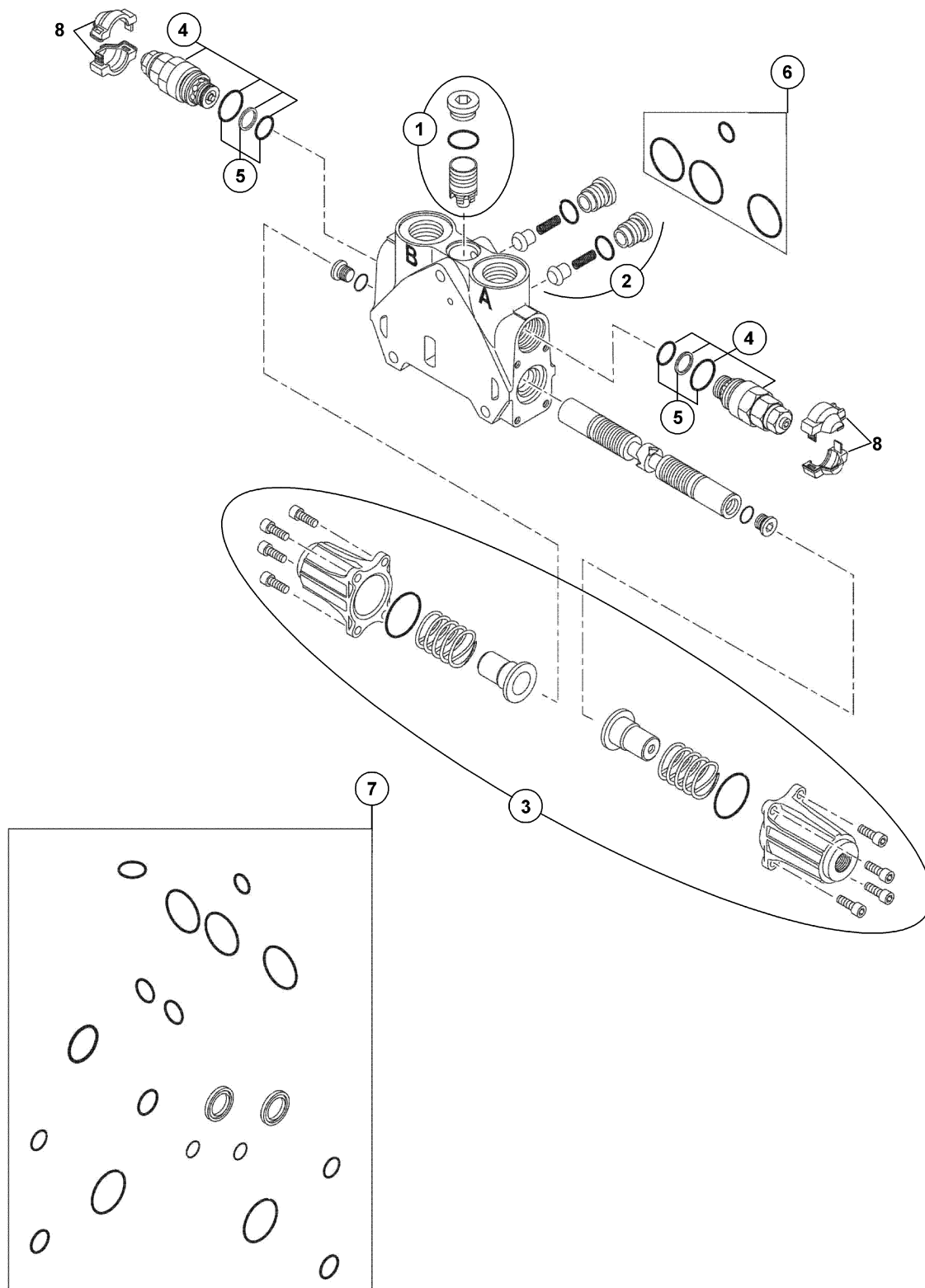
**KAZICI KUMANDA VALFİ- KIVIRICI SİLİNDİR KONTROL BLOĞU, JOYSTICK (TİP B) (OP)
BACKHOE CONTROL VALVE BUCKET RAM CONTROL BLOCK, JOYSTICK (TYPE B)**



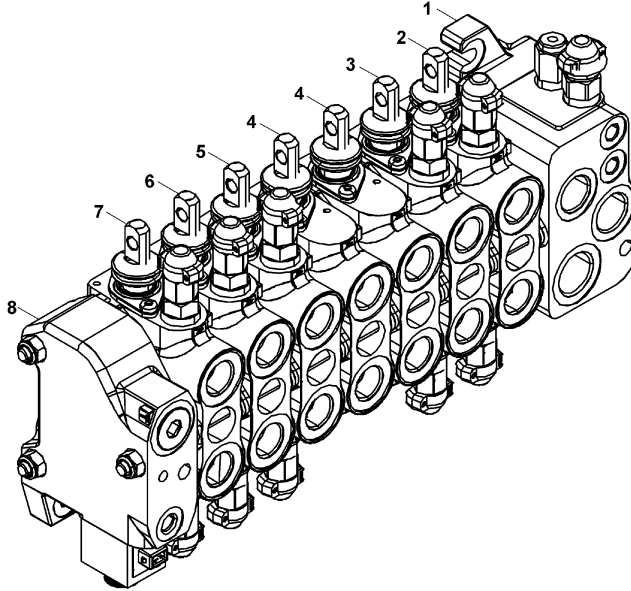
KAZICI KUMANDA VALFİ BOM KONTROL BLOĞU, JOYSTICK (TİP B) (OP)
BACKHOE CONTROL VALVE BOOM CONTROL BLOCKS, JOYSTICK (TYPE B) (OP)



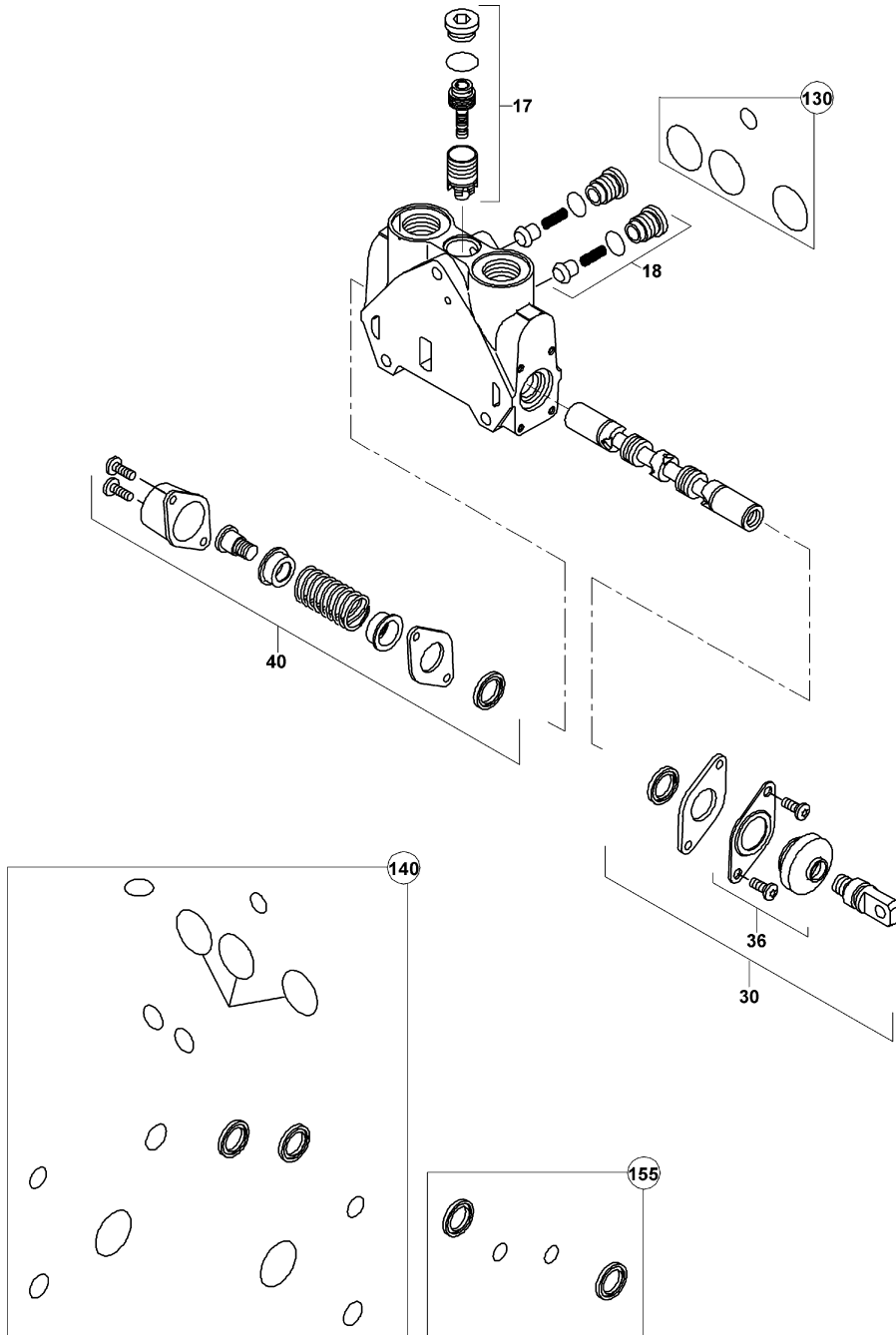
KAZICI KUMANDA VALFİ TELESKOPIK KONTROL BLOĞU, JOYSTICK (TİP B) (OP)
BACKHOE CONTROL VALVE TELESCOPIC CONTROL BLOCKS, JOYSTICK (TYPE B)



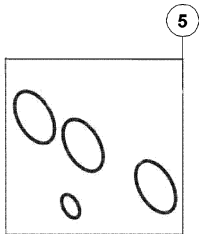
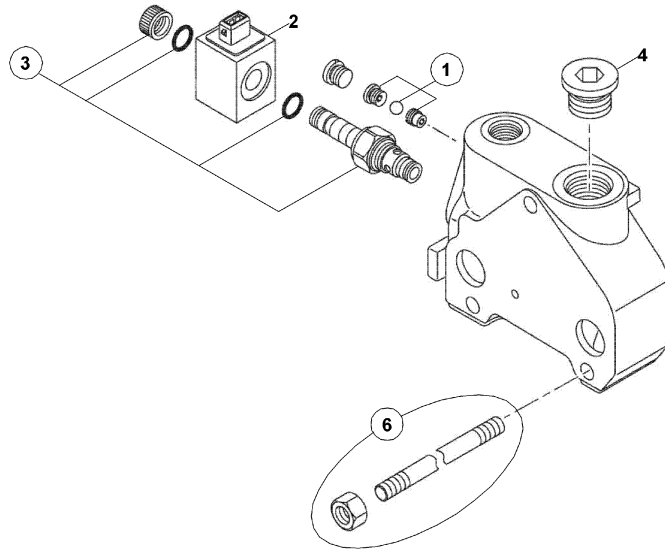
KAZICI KUMANDA VALFİ, LEVYELİ (DİŞLİ POMPA & TİP B)
BACKHOE CONTROL VALVE, LEVERS (GEAR PUMP & TYPE B)



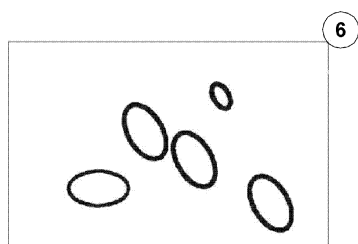
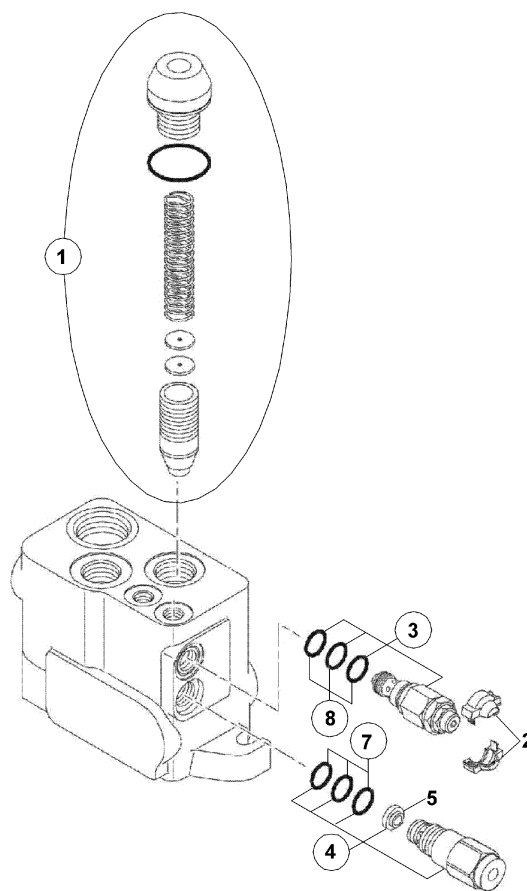
AYAK SİLİNDİRİ KONTROL BLOĞU, LEVYELİ (DİŞLİ POMPA & TİP B)
STABILIZER RAM CONTROL BLOCK, LEVERS (GEAR PUMP & TYPE B)



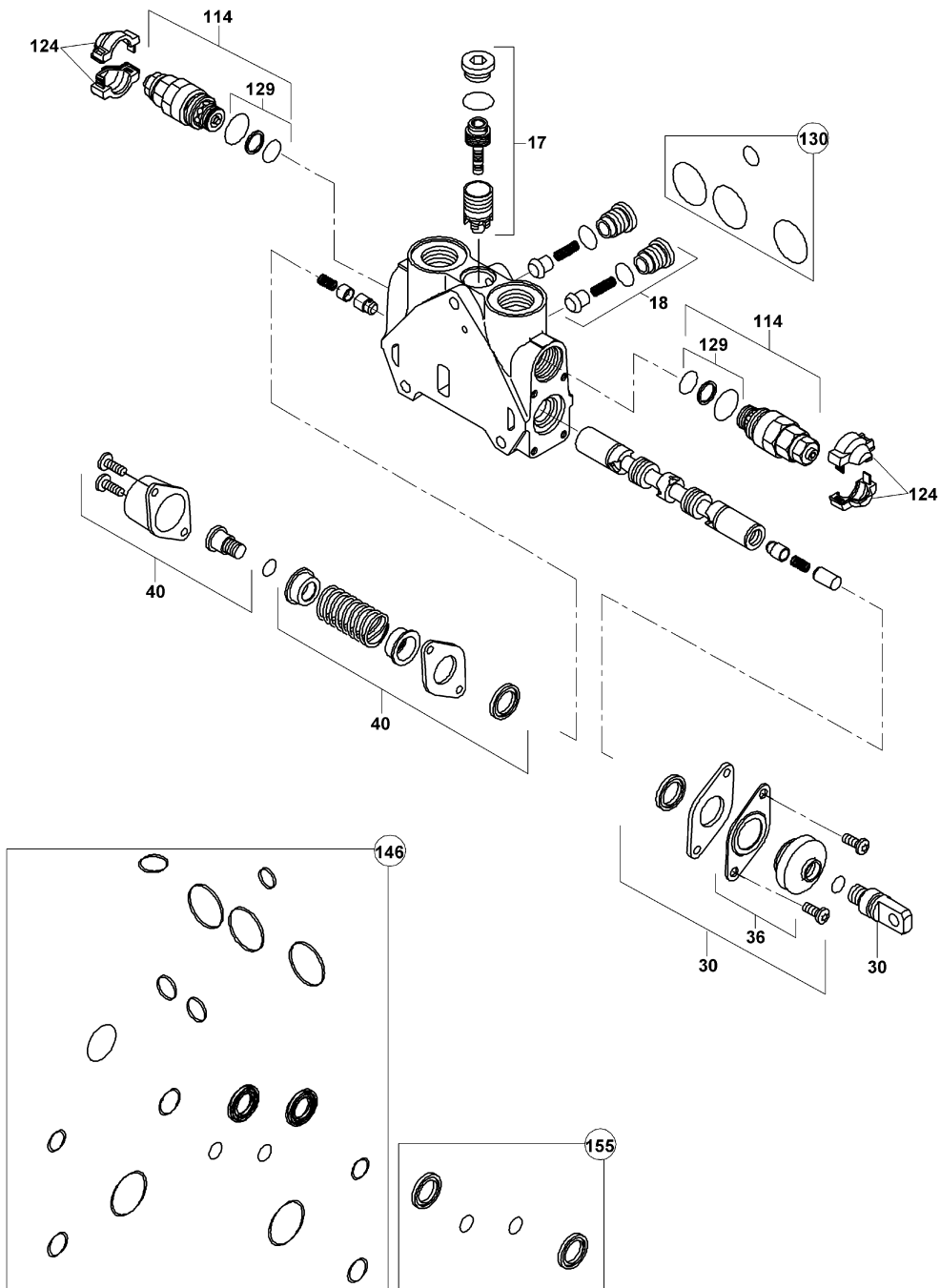
KAZICI KUMANDA VALFİ ÇIKIŞ BLOĞU, LEVYELİ (DİŞLİ POMPA & TİP B)
BACKHOE CONTROL VALVE OUTLET BLOCK, LEVERS (GEAR PUMP & TYPE B)



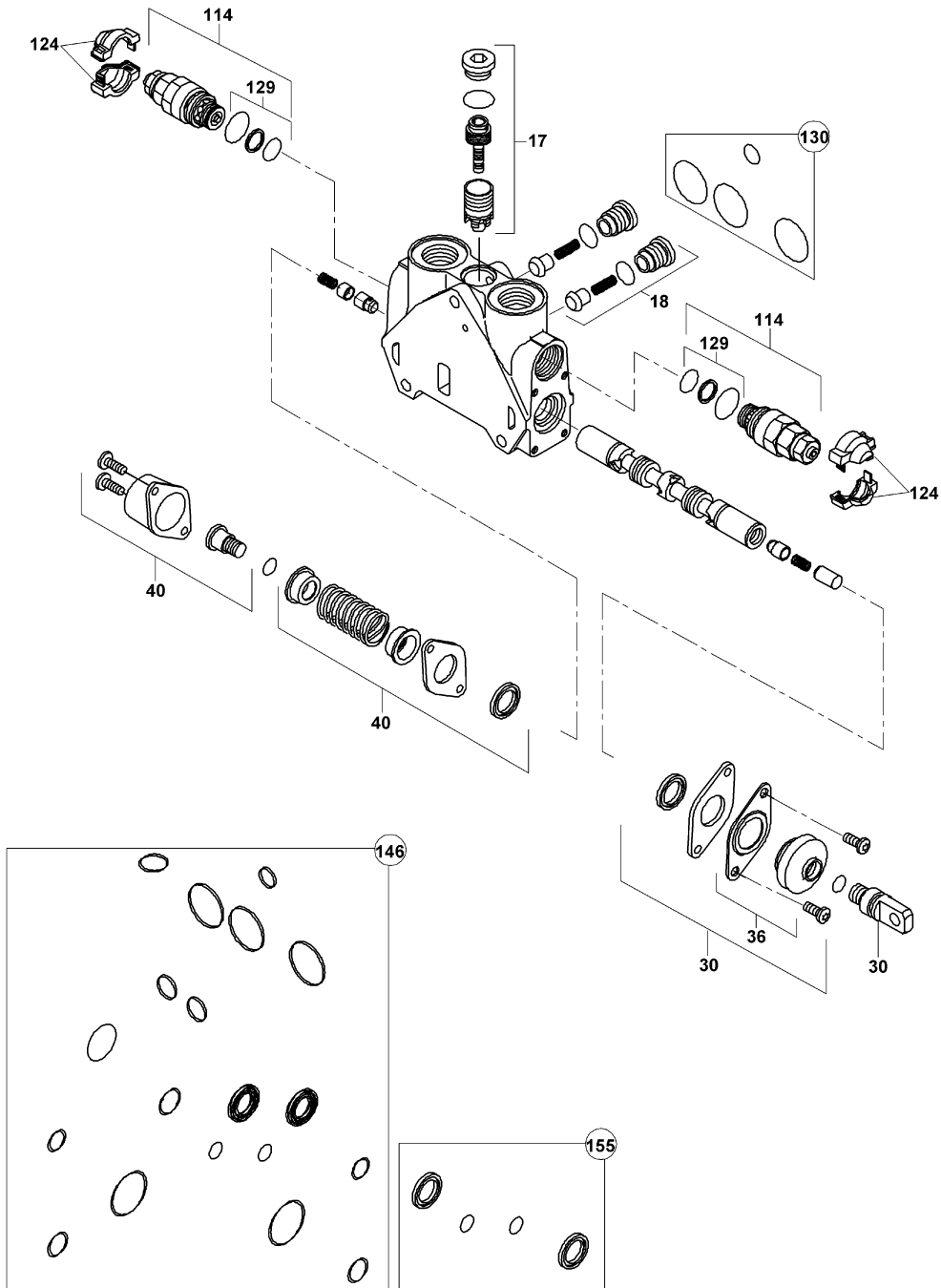
KAZICI KUMANDA VALFİ GİRİŞ BLOĞU, LEVYELİ (DİŞLİ POMPA & TİP B)
BACKHOE CONTROL VALVE INLET BLOCK, LEVERS (GEAR PUMP & TYPE B)

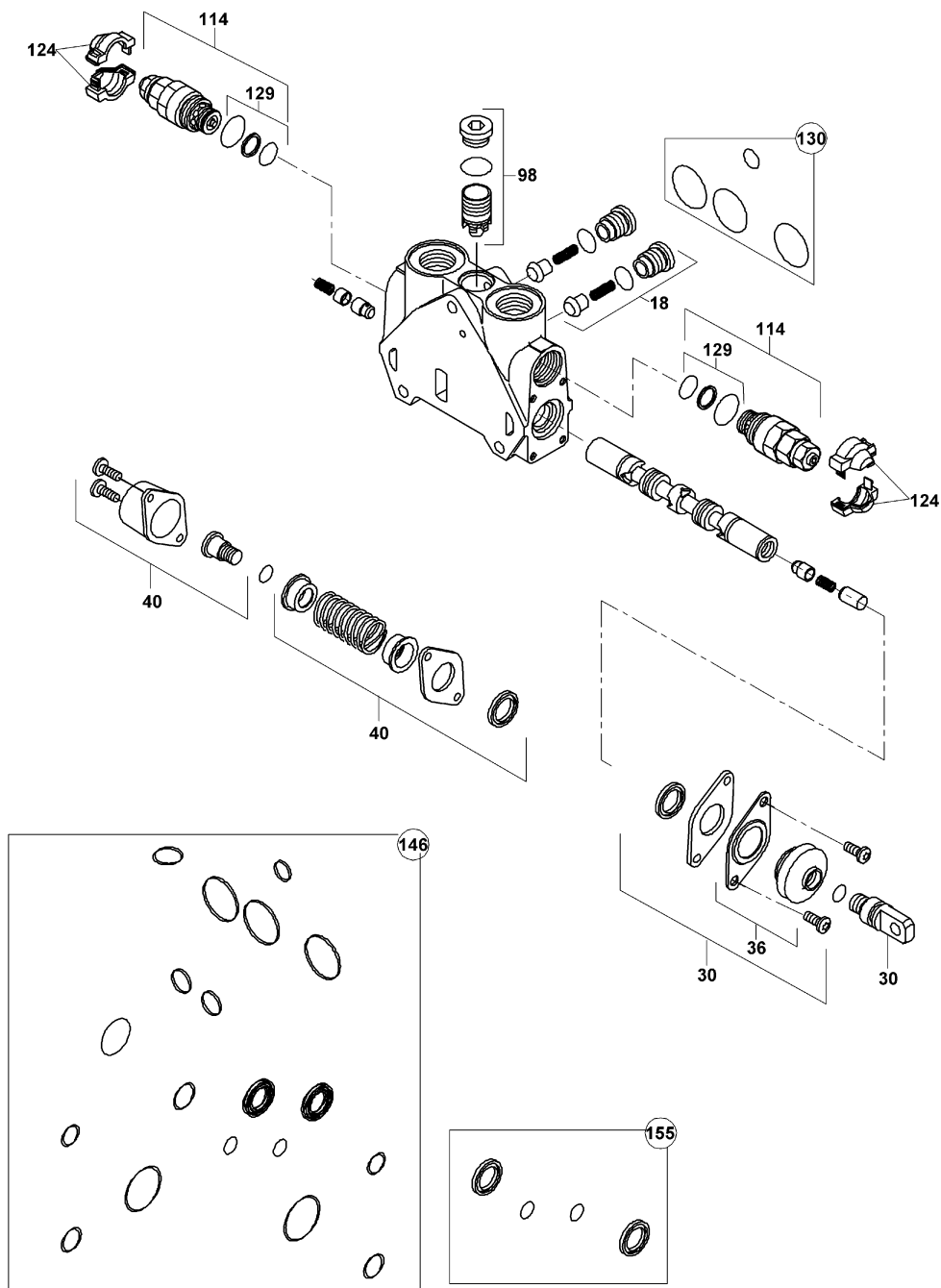


DEVİRİCİ SİLİNDİR KONTROL BLOĞU, LEVYELİ (DİŞLİ POMPA & TİP B)
DIPPER RAM CONTROL BLOCK, LEVERS (GEAR PUMP & TYPE B)

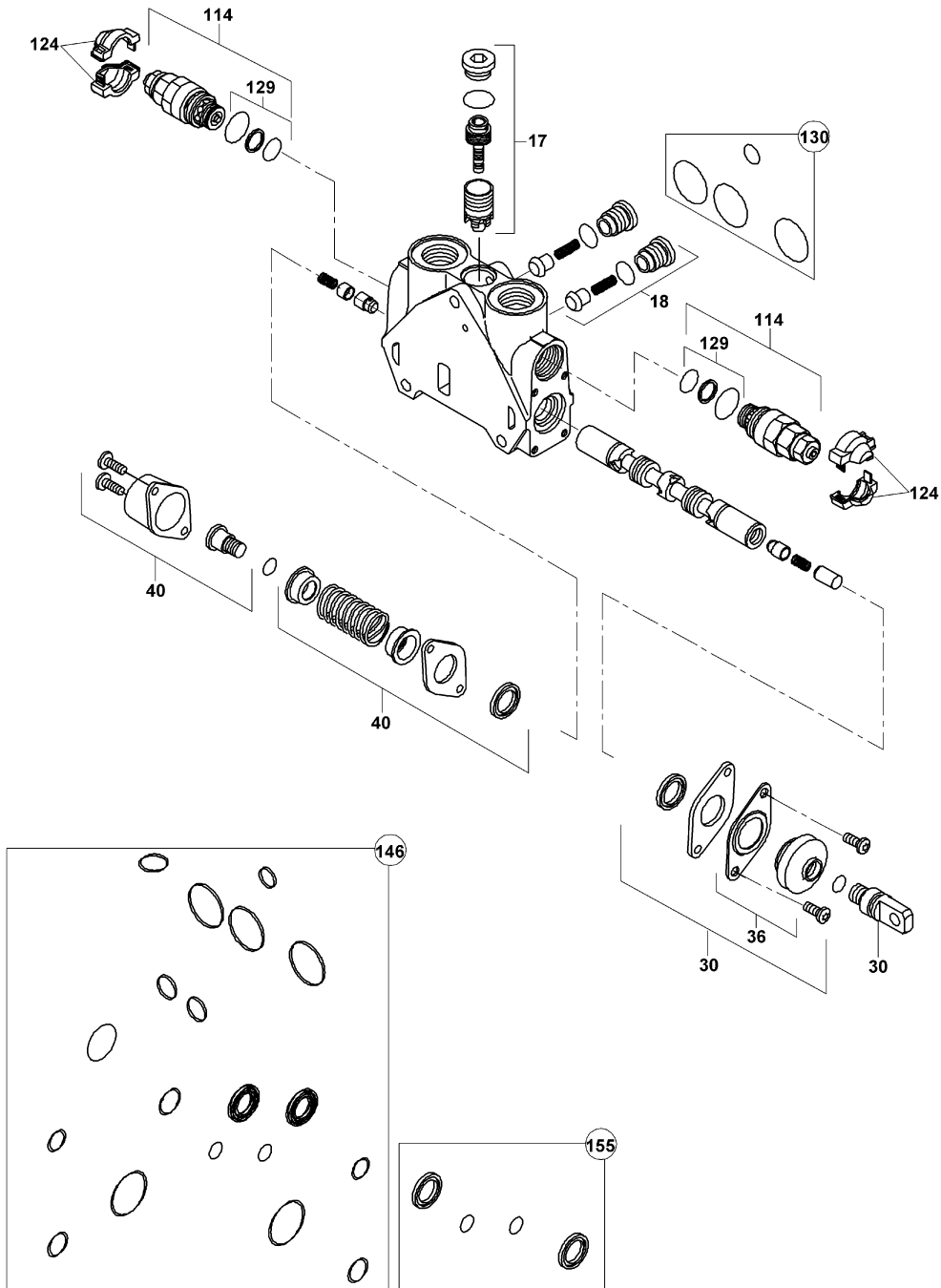


KALDIRICI SİLİNDİR KONTROL BLOĞU, LEVYELİ (DİŞLİ POMPA & TİP B)
LIFT RAM CONTROL BLOCK, LEVERS (GEAR PUMP & TYPE B)

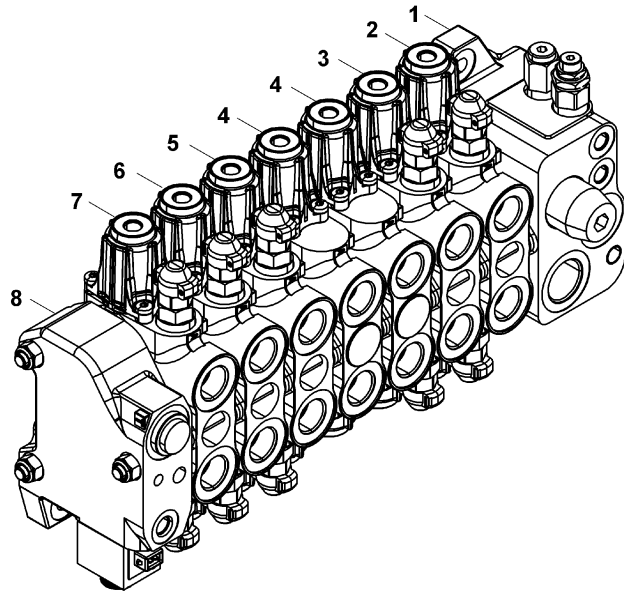


**KIVIRICI SİLİNDİR KONTROL BLOĞU, LEVYELİ (DİŞLİ POMPA & TİP B)
BUCKET RAM CONTROL BLOCK, LEVERS (GEAR PUMP & TYPE B)**

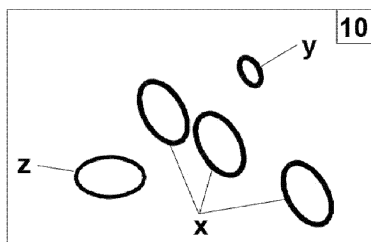
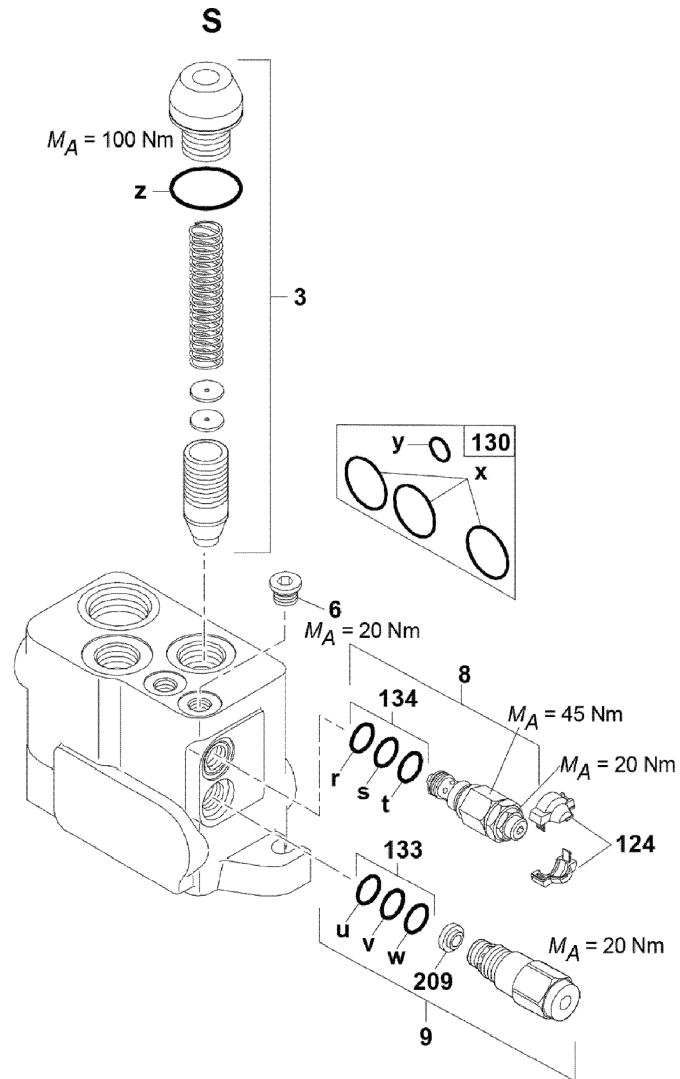
DÖNÜŞ SİLİNDİRİ KONTROL BLOĞU, LEVYELİ (DİŞLİ POMPA & TİP B)
SLEW SWING RAM CONTROL BLOCK, LEVERS (GEAR PUMP & TYPE B)



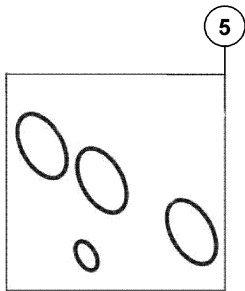
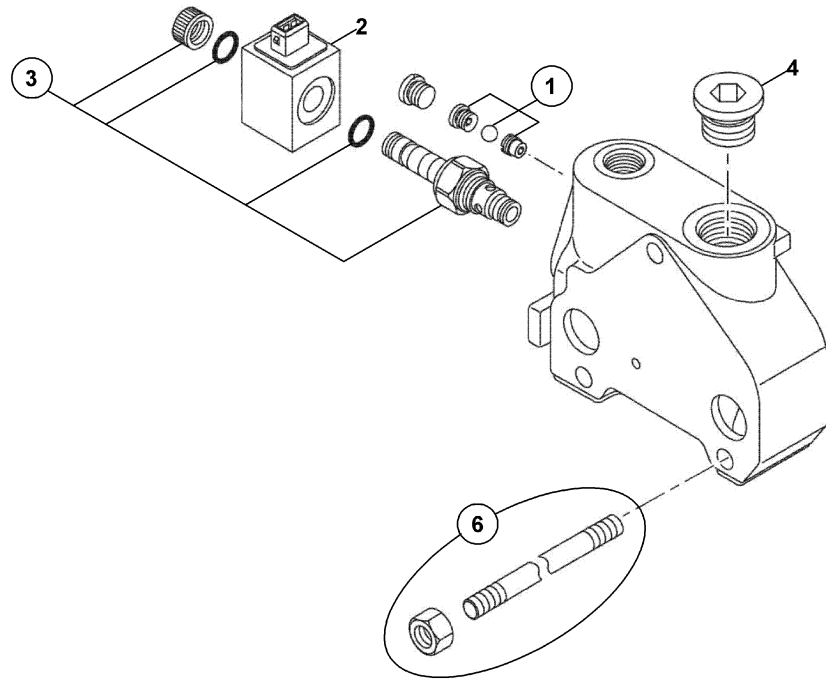
KAZICI KUMANDA VALFİ, JOYSTICK (DİŞLİ POMPA & TİP B, FS) (OP)
BACKHOE CONTROL VALVE, JOYSTICK (GEAR PUMP & TYPE B, FS) (OP)



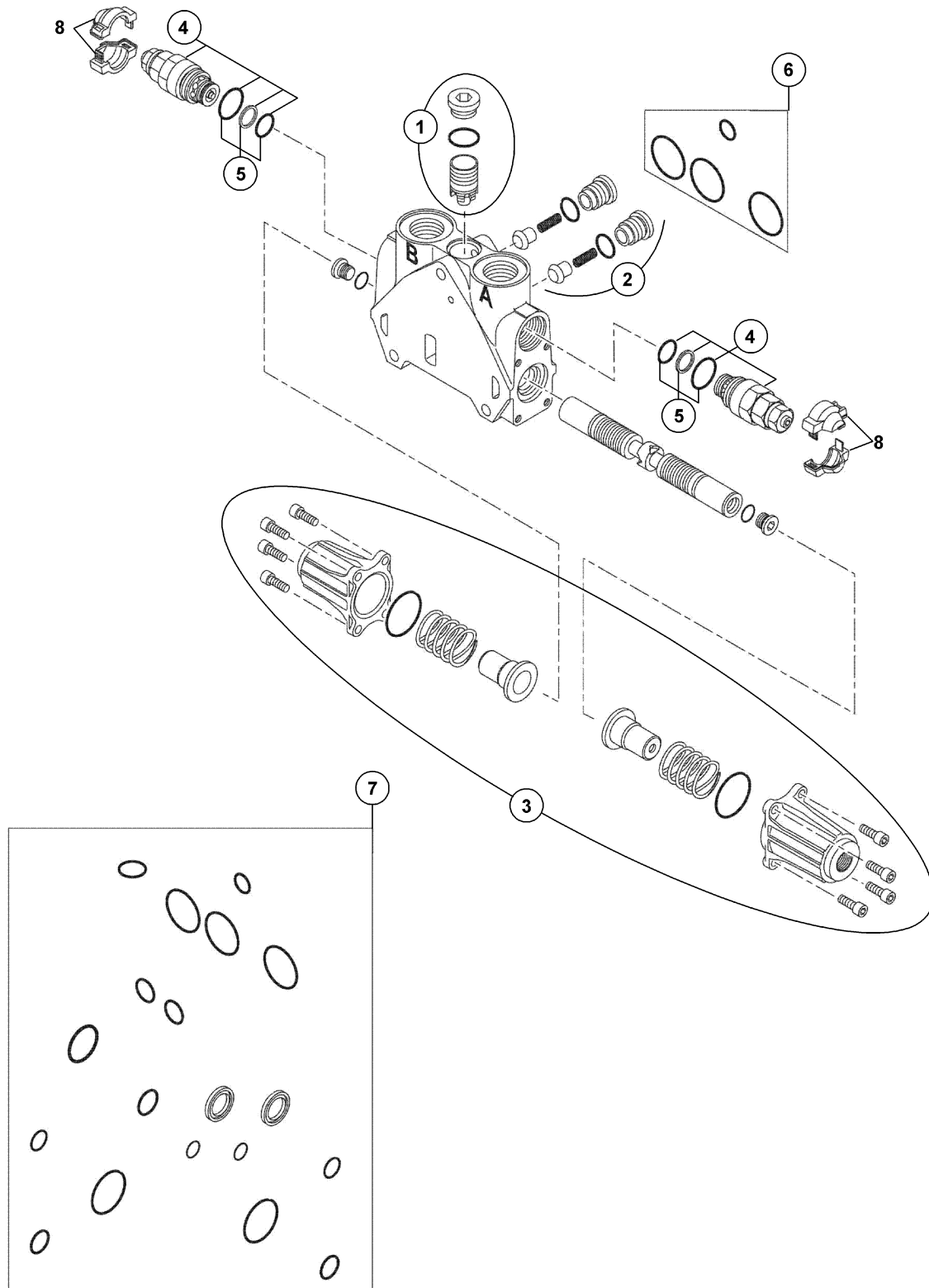
KAZICI KUMANDA VALFİ- GİRİŞ BLOĞU (TİP B) BACKHOE CONTROL VALVE-INLET BLOCK (TYPE B)



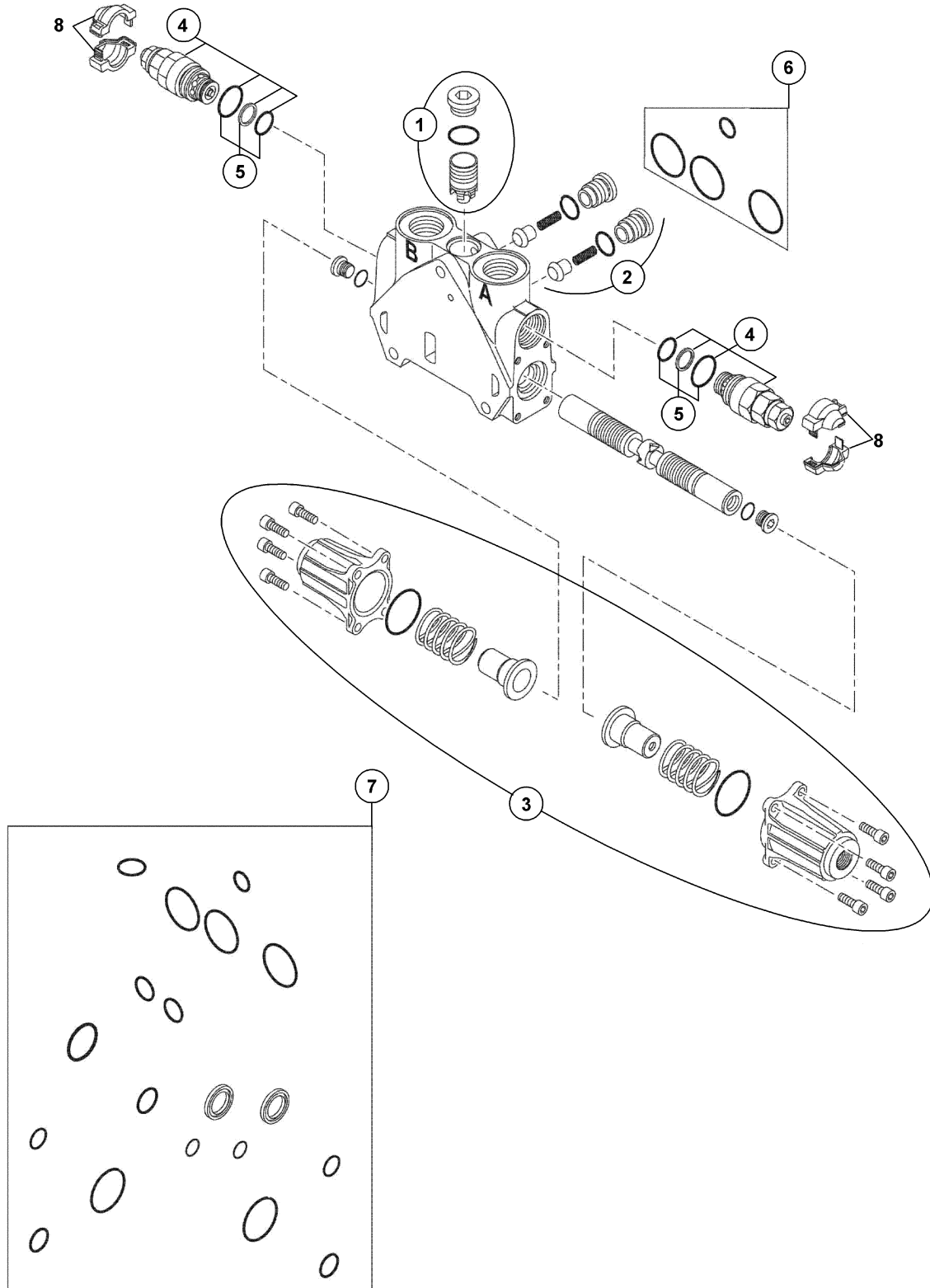
KAZICI KUMANDA VALFİ- ÇIKIŞ BLOĞU (TİP B)
BACKHOE CONTROL VALVE -OUTLET BLOCK (TYPE B)



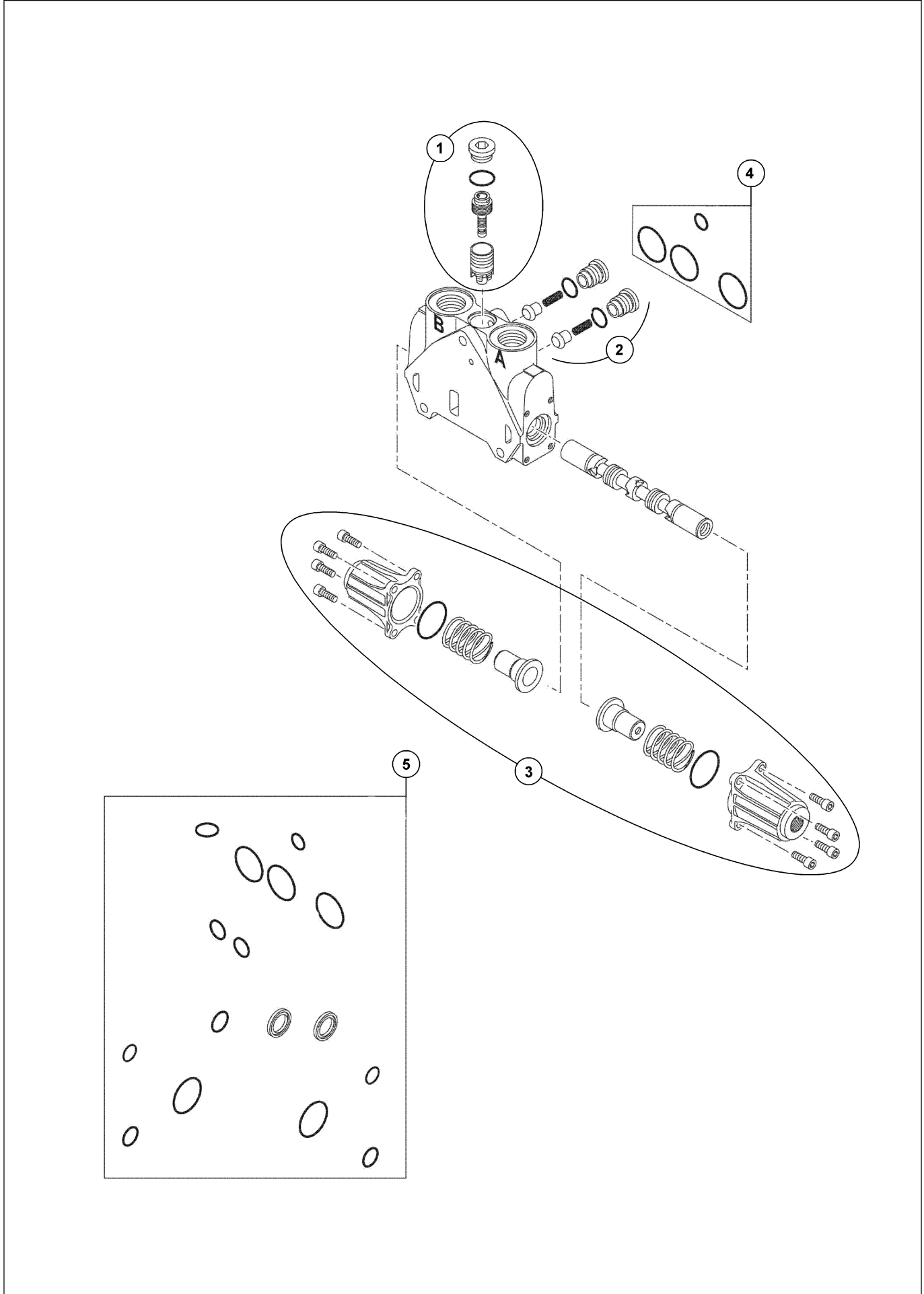
KAZICI KUMANDA VALFİ-ARM KONTROL BLOĞU, JOYSTICK (TİP B) (OP)
BACKHOE CONTROL VALVE-ARM CONTROL BLOCKS, JOYSTICK (TYPE B)(OP)

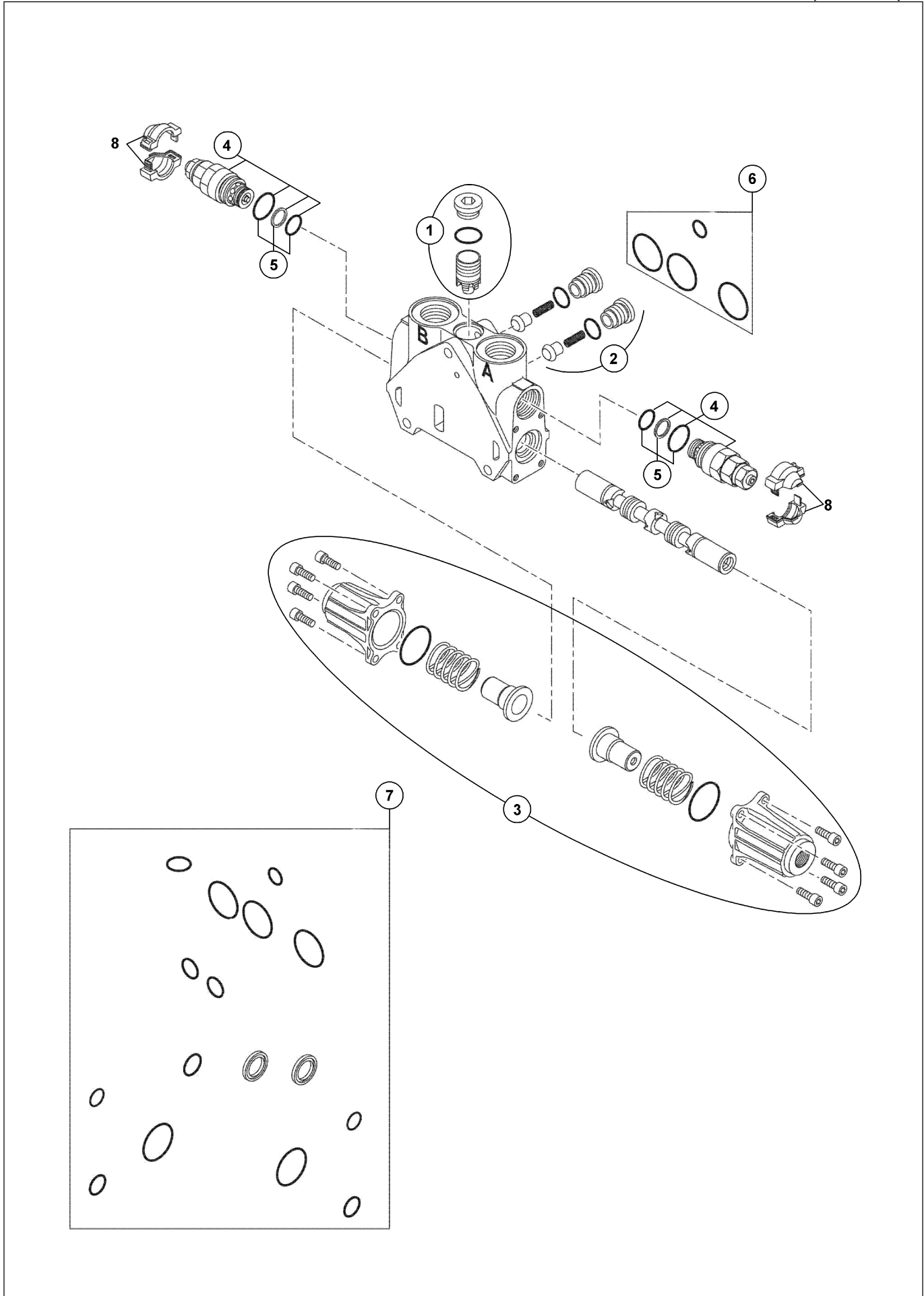


KAZICI KUMANDA VALFİ- DÖNÜŞ SİLİNDİRİ KONTROL BLOĞU, JY (TİP B) (OP)
BACKHOE CONTROL VALVE-SLEW SWING RAM CONTROL BLOCK, JOYSTICK (TYPE

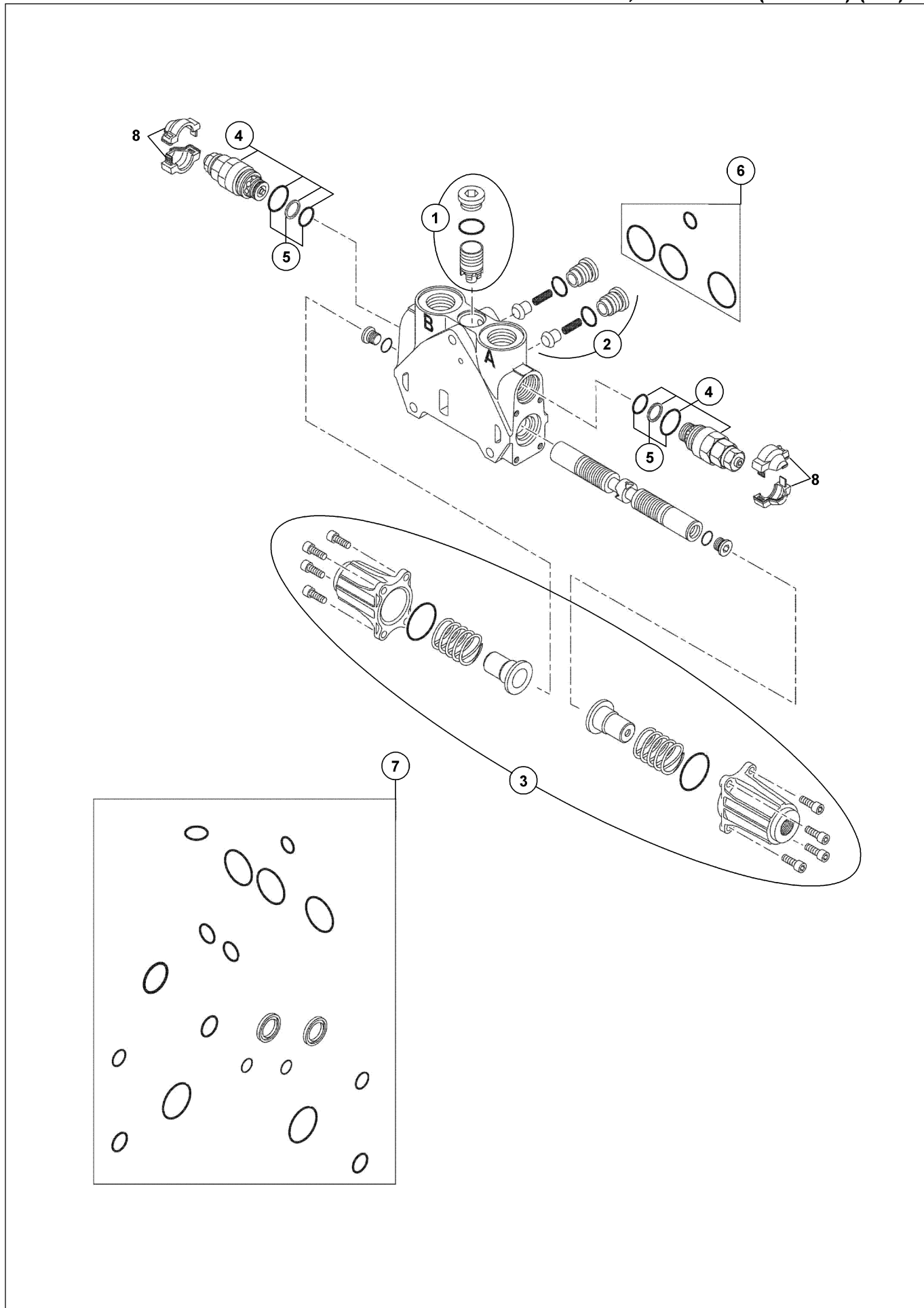


**KAZICI KUMANDA VALFİ- AYAK SİLİNDİRİ KONTROL BLOĞU, JOYSTICK (TİP B) (OP)
BACKHOE CONTROL VALVE-STABILIZER RAM CONTROL BLOCK, JOYSTICK (TYPE**

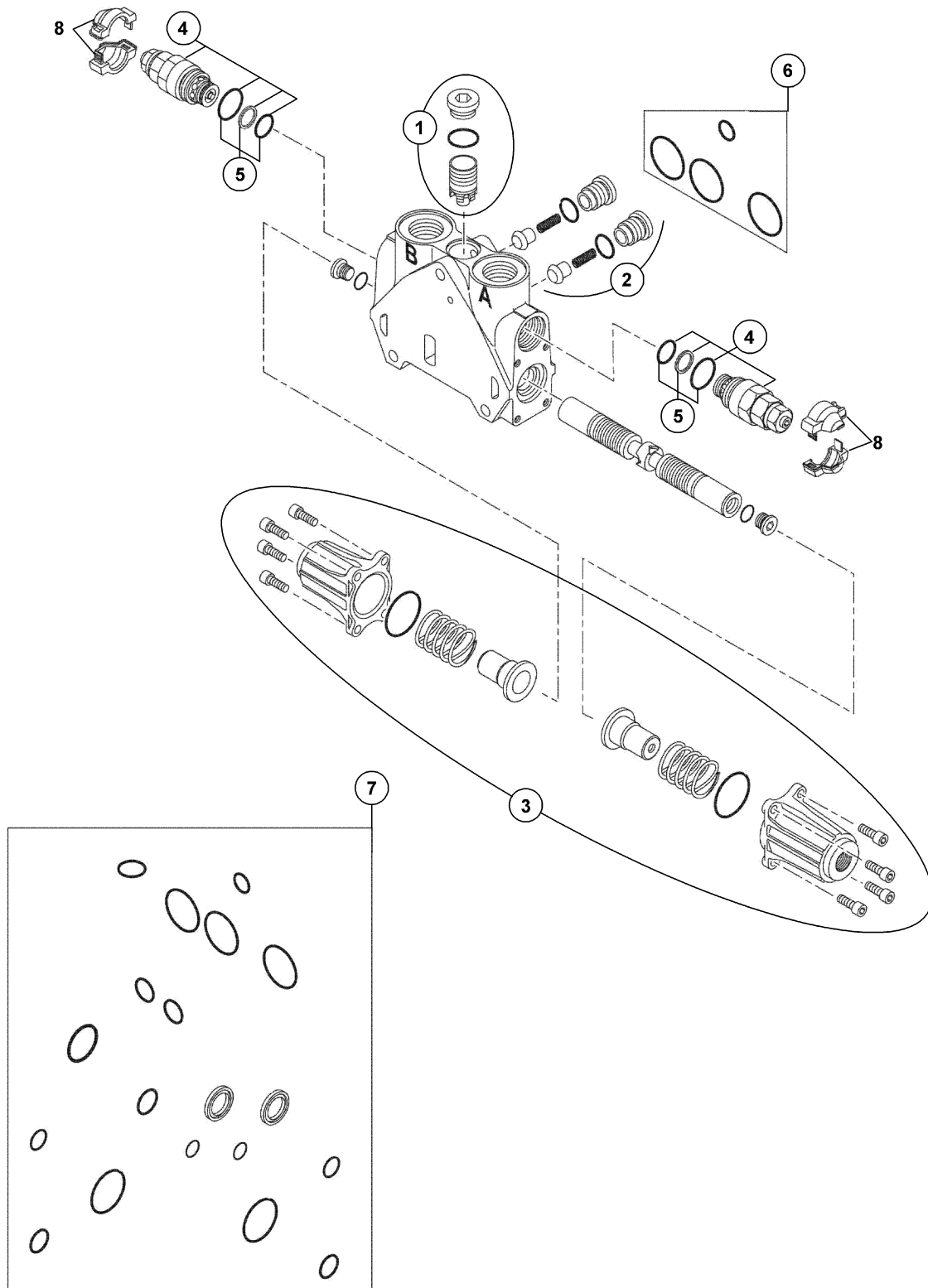


**KAZICI KUMANDA VALFİ- KIVIRICI SİLİNDİR KONTROL BLOĞU, JOYSTICK (TİP B) (OP)
BACKHOE CONTROL VALVE BUCKET RAM CONTROL BLOCK, JOYSTICK (TYPE B)**

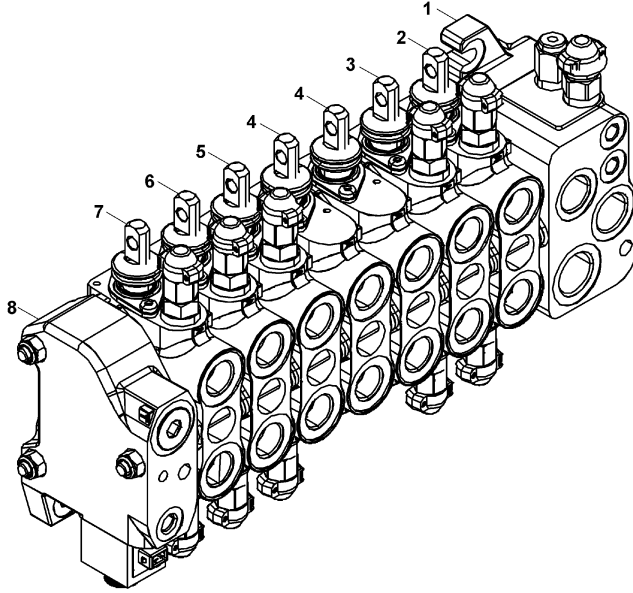
KAZICI KUMANDA VALFİ BOM KONTROL BLOĞU, JOYSTICK (TİP B) (OP)
BACKHOE CONTROL VALVE BOOM CONTROL BLOCKS, JOYSTICK (TYPE B) (OP)



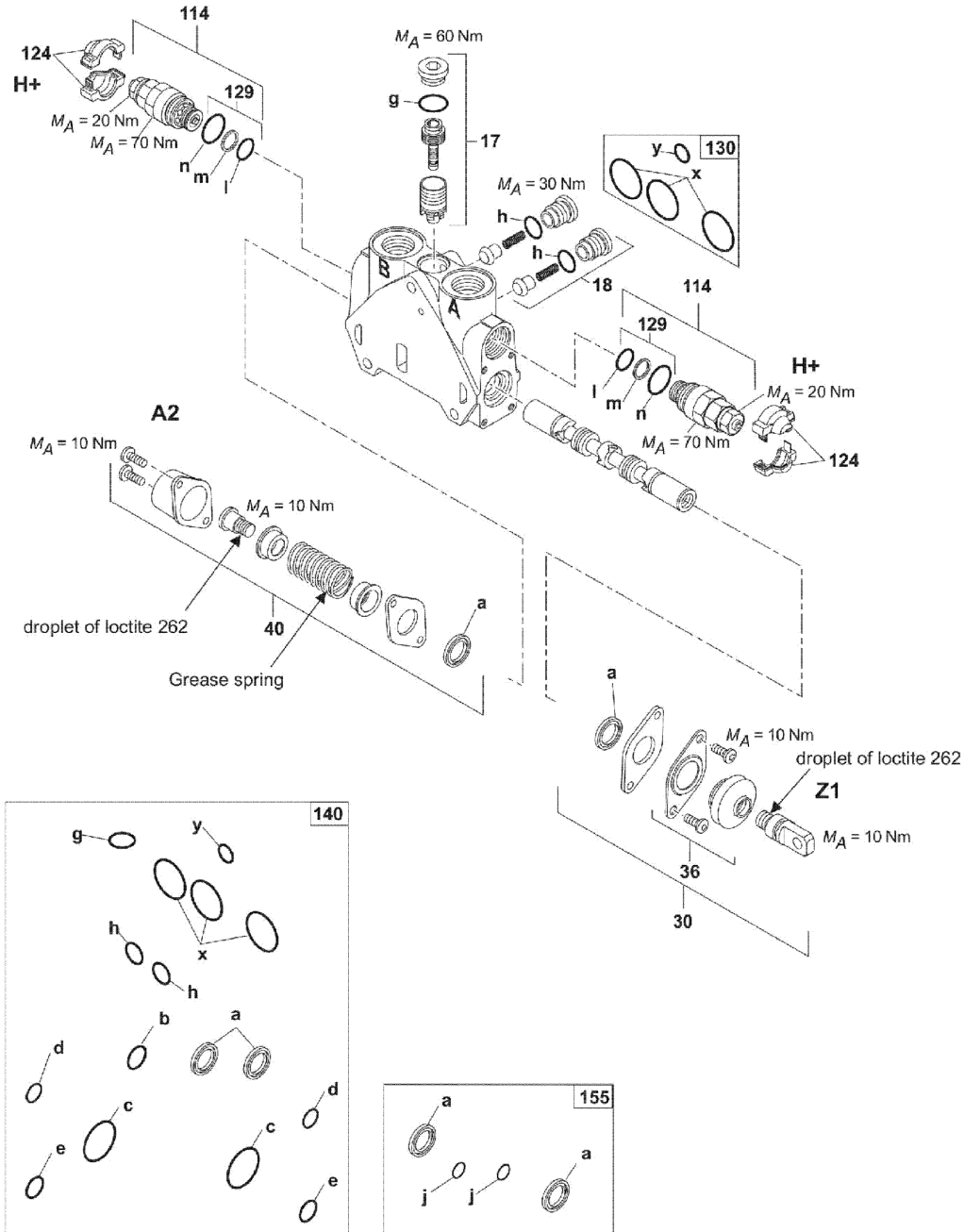
KAZICI KUMANDA VALFİ TELESKOPIK KONTROL BLOĞU, JOYSTICK (TİP B) (OP)
BACKHOE CONTROL VALVE TELESCOPIC CONTROL BLOCKS, JOYSTICK (TYPE B)



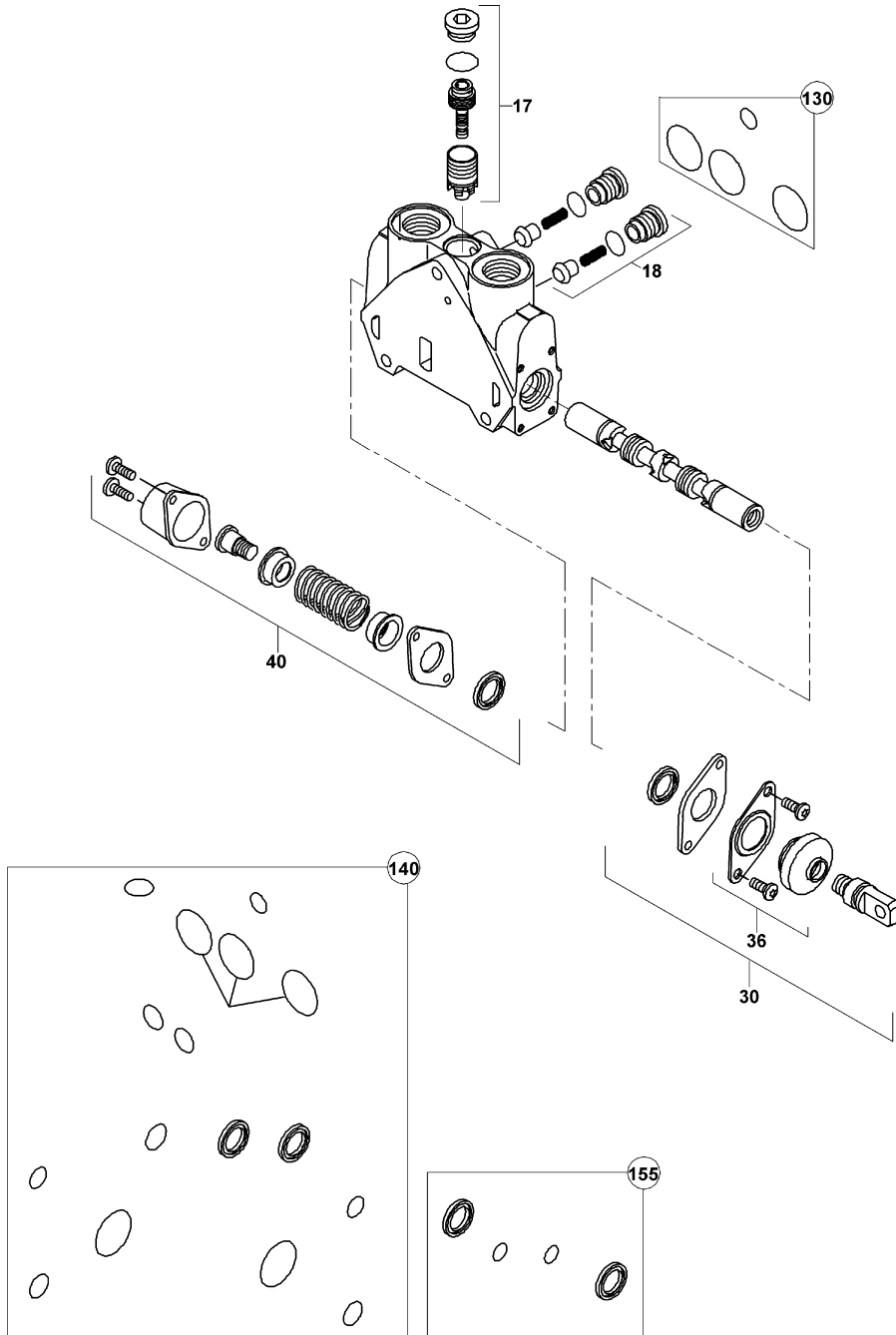
**KAZICI KUMANDA VALFİ, LEVYELİ (PİSTONLU POMPA & TİP B)
BACKHOE CONTROL VALVE, LEVERS (PISTON PUMP & TYPE B)**



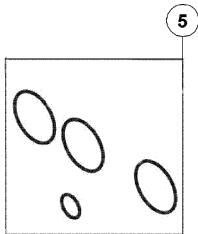
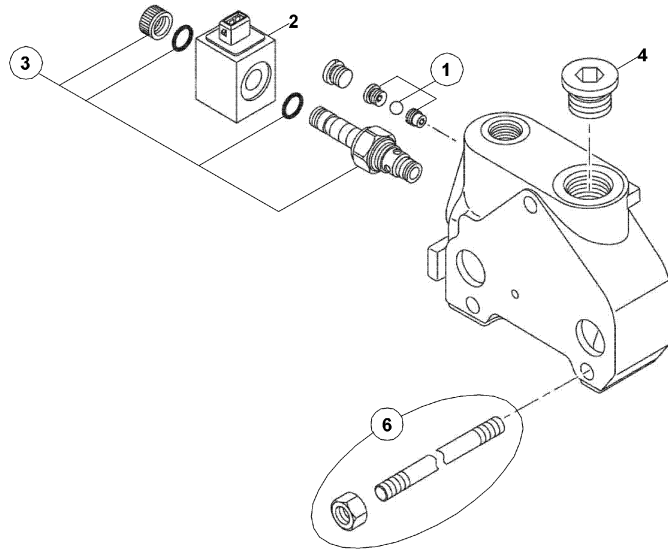
TELESKOPIK SİLİNDİR KONTROL BLOĞU, LEVYELİ (PİSTONLU POMPA & TİP B)
TELESCOPIC RAM CONTROL BLOCK, LEVERS (PISTON PUMP & TYPE B)



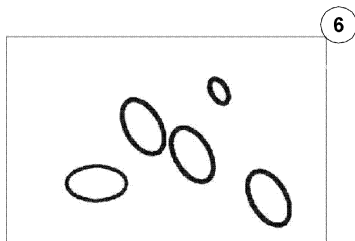
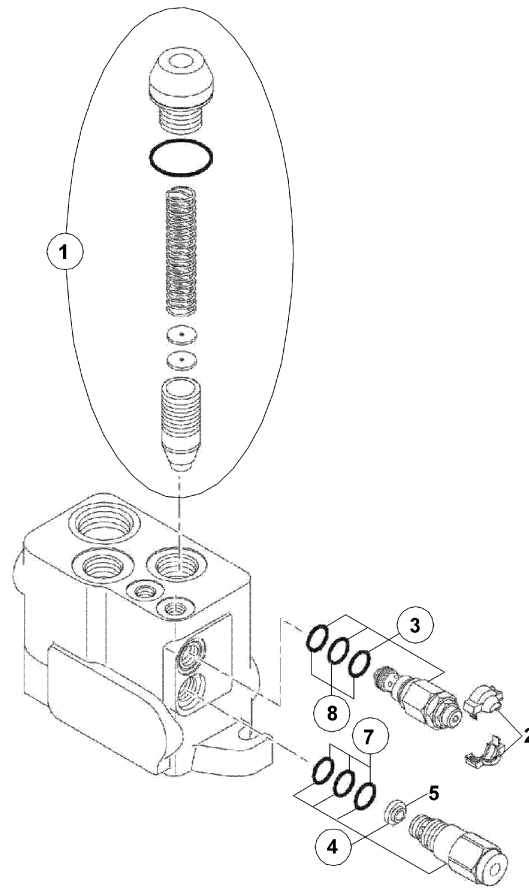
AYAK SİLİNDİRİ KONTROL BLOĞU, LEVYELİ (PİSTONLU POMPA & TİP B)
STABILIZER RAM CONTROL BLOCK, LEVERS (PISTON PUMP & TYPE B)



KAZICI KUMANDA VALFİ ÇIKIŞ BLOĞU, LEVYELİ (PİSTONLU POMPA & TİP B)
BACKHOE CONTROL VALVE OUTLET BLOCK, LEVERS (PISTON PUMP & TYPE B)



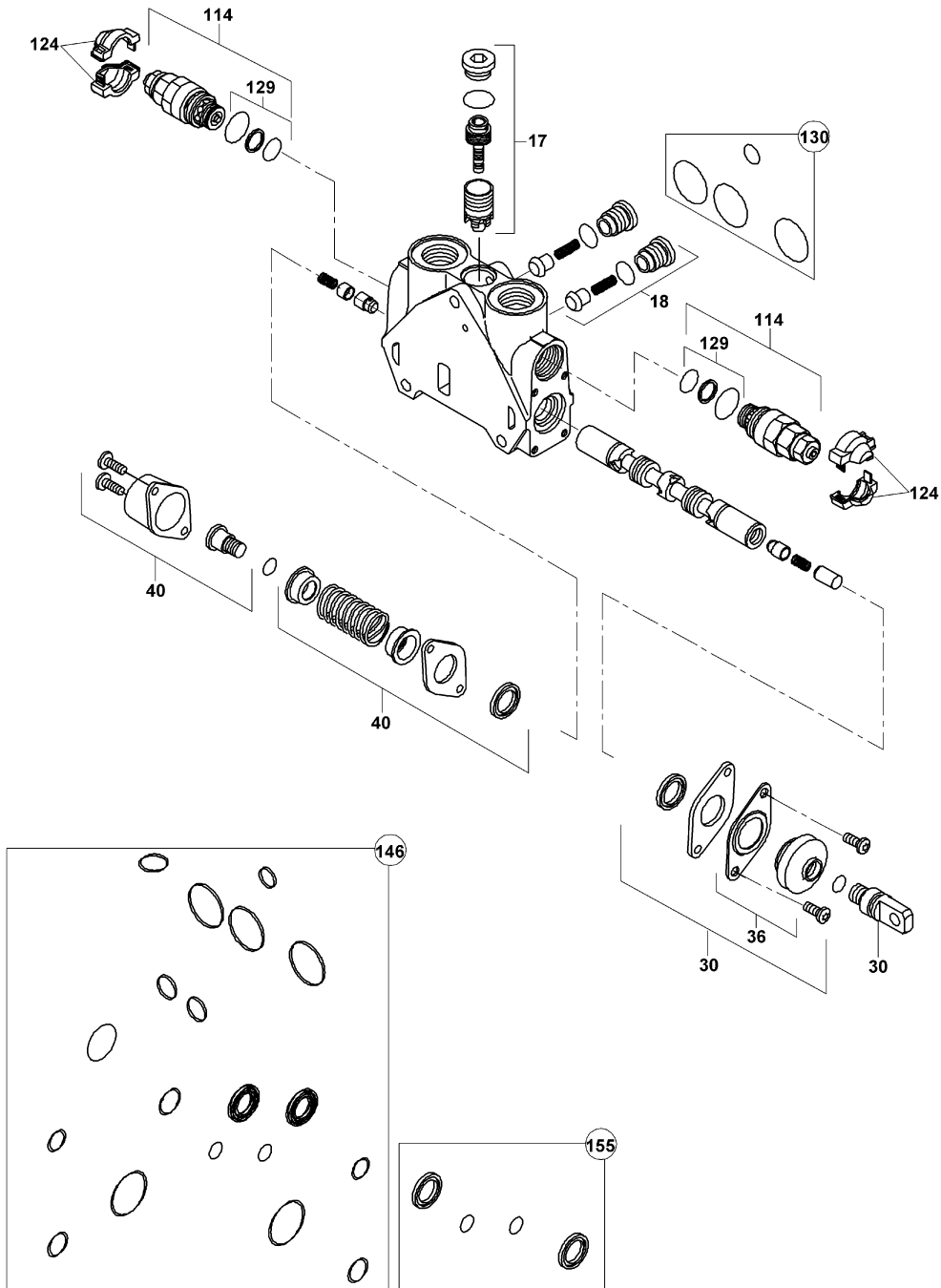
KAZICI KUMANDA VALFİ GİRİŞ BLOĞU, LEVYELİ (PİSTONLU POMPA & TİP B)
BACKHOE CONTROL VALVE INLET BLOCK, LEVERS (PISTON PUMP & TYPE B)



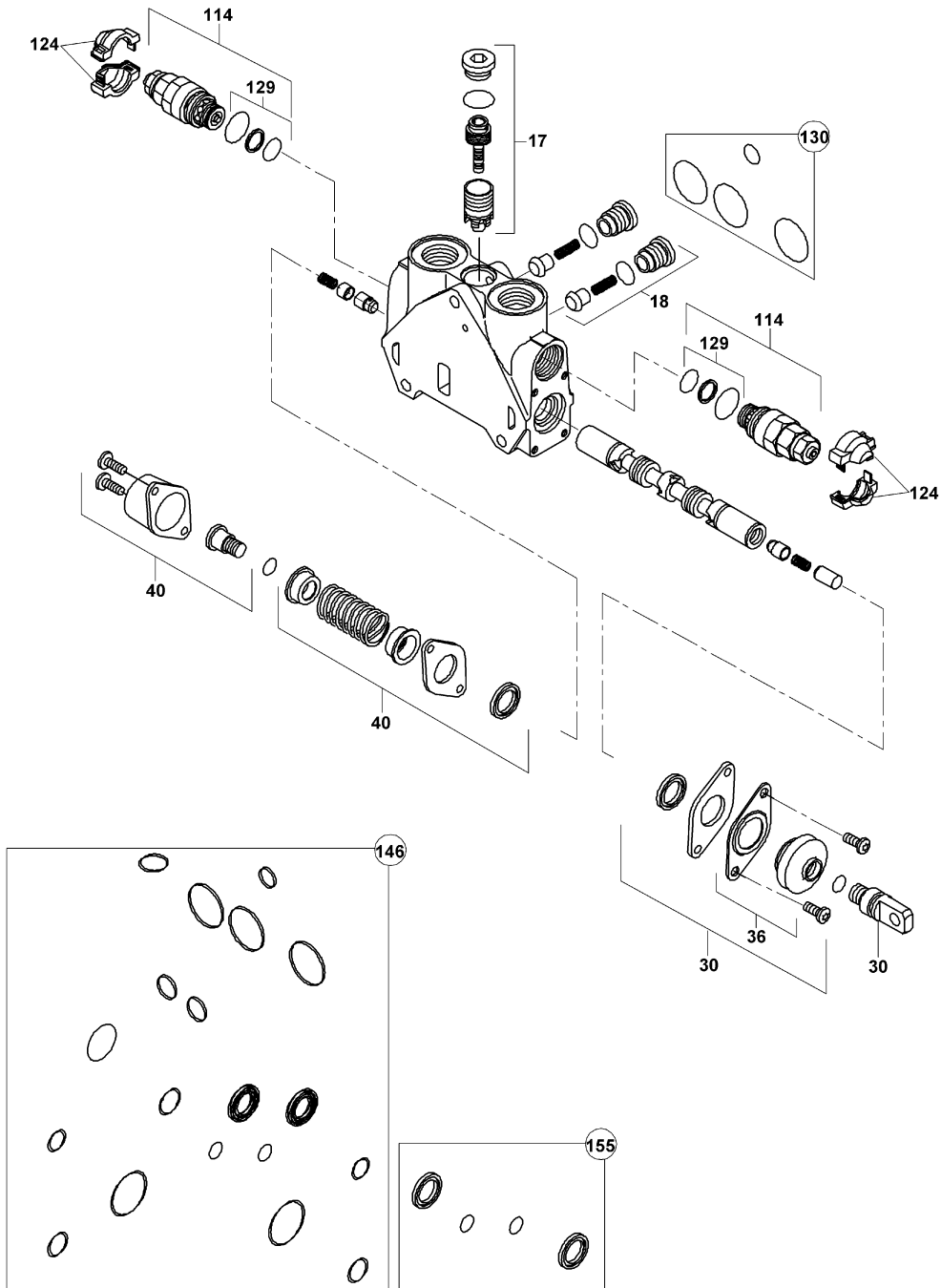
**KAZICI KUMANDA VALFİ GİRİŞ BLOĞU, LEVYELİ (PİSTONLU POMPA & TİP B)
BACKHOE CONTROL VALVE INLET BLOCK, LEVERS (PISTON PUMP & TYPE B)**

No	Parça No	Parça Adı		Adet	S.K.	Bas.S.N	Bit.S.N	Y.K.	Not
No	Part no		Description	Qty	SC	S/N from	S/N to	ICA	Note
0	S1824168	GİRİŞ BLOĞU, KAZICI KUMANDA VALFİ	INLET BLOCK, HOE CONTROL VALVE	1					
1	S1824161	AYAR KİTİ	REGULATION KIT	1					
2	S1824080	KAPAK	HALF COVER	1					
3	S1824178	EMNİYET VALFİ	LS PRESSURE RELIEF VALVE	1					
4	S1824179	REGÜLATÖR KOMPLESİ, POMPA	FLOW REGULATOR	1					
5	S1824177	FİLTRE	FLOW REGULATOR FILTER	1					
6	S1824085	KEÇE TAKIMI	SEAL KIT	1					
7	S1824175	KEÇE TAKIMI	SEAL KIT	1					
8	S1824176	KEÇE TAKIMI	SEAL KIT	1					

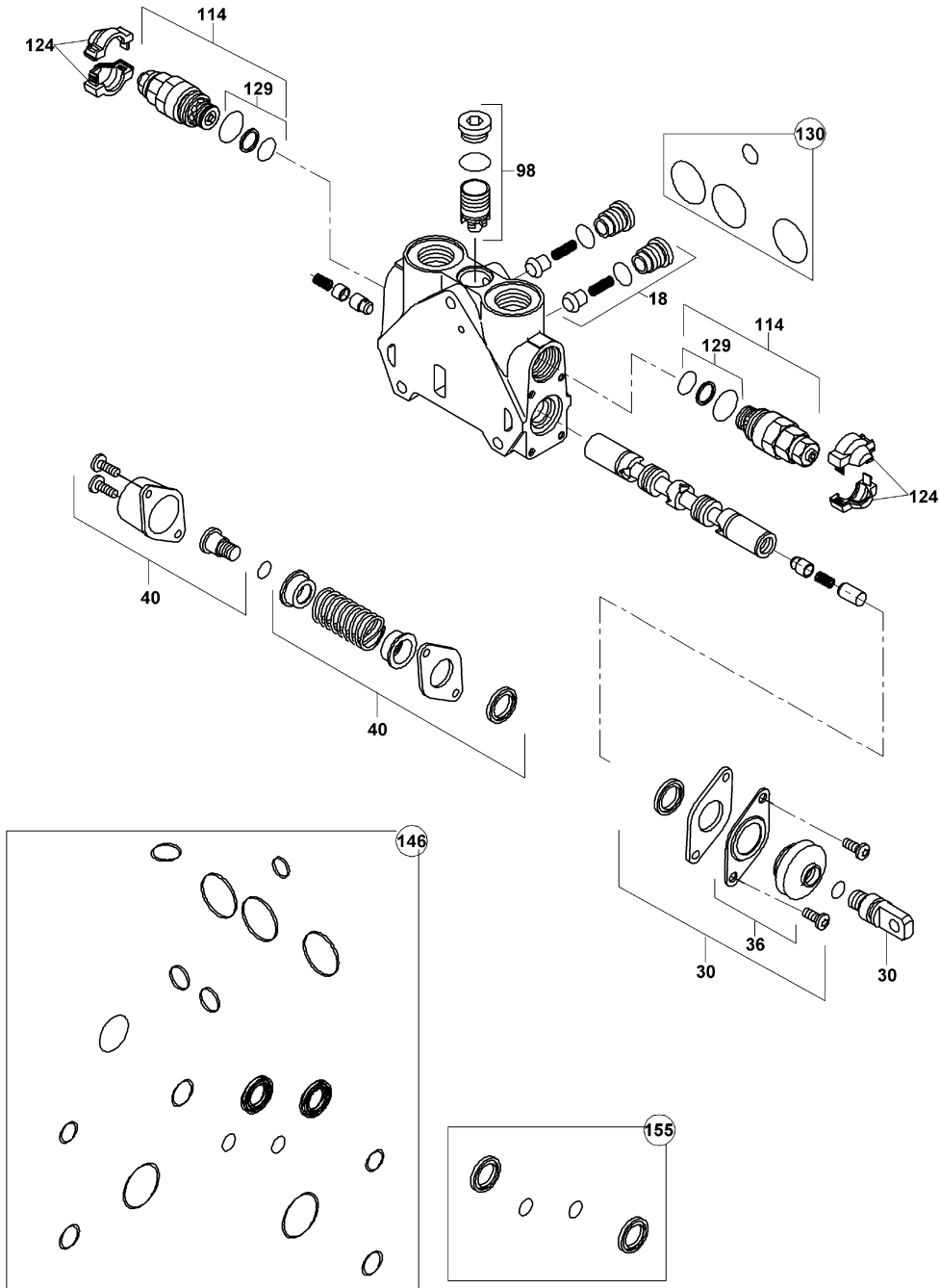
DEVİRİCİ SİLİNDİR KONTROL BLOĞU, LEVYELİ (PİSTONLU POMPA & TİP B)
 DIPPER RAM CONTROL BLOCK, LEVERS (PISTON PUMP & TYPE B)



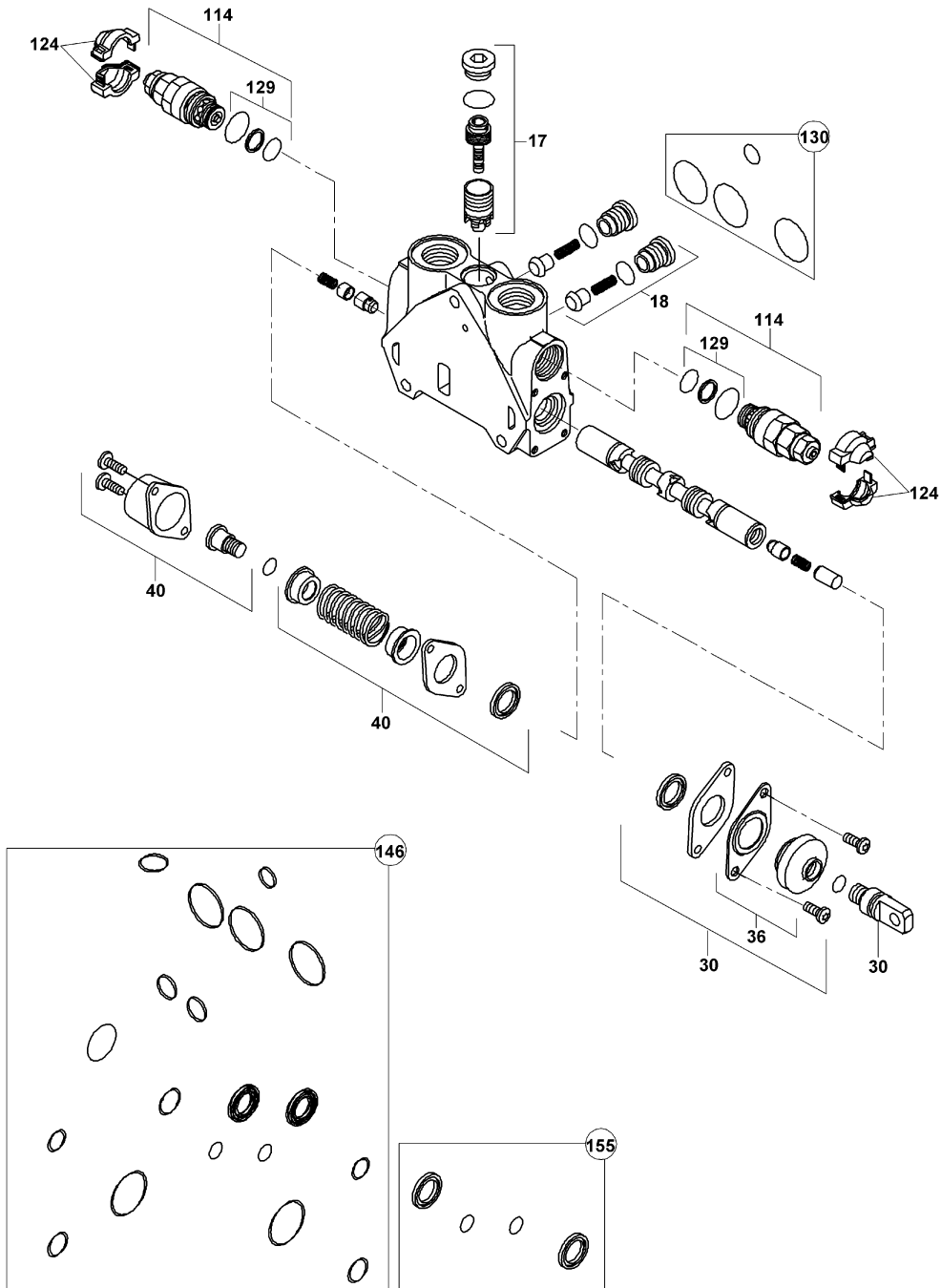
KALDIRICI SİLİNDİR KONTROL BLOĞU, LEVYELİ (PİSTONLU POMPA & TİP B)
LIFT RAM CONTROL BLOCK, LEVERS (PISTON PUMP & TYPE B)



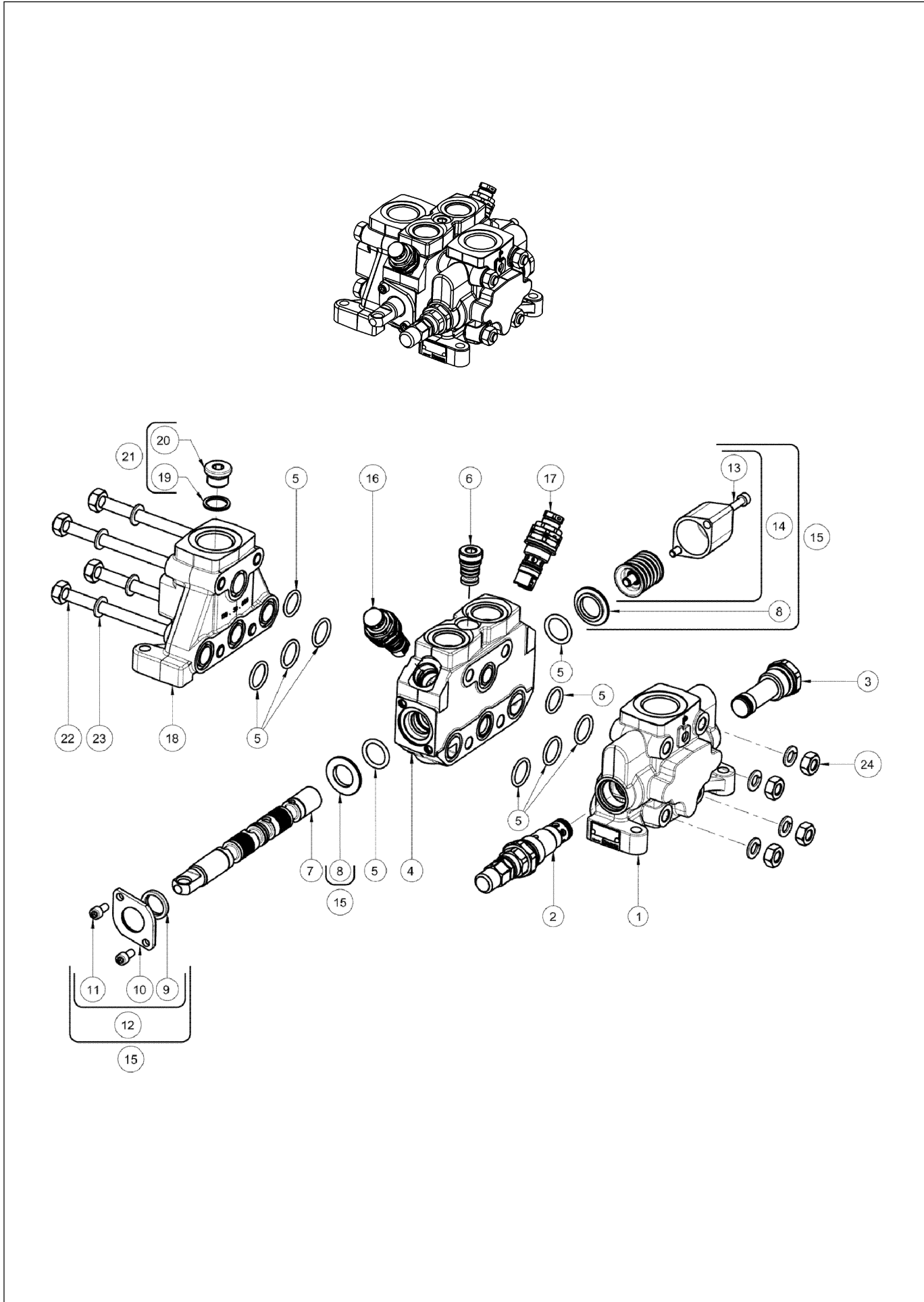
KIVIRICI SİLİNDİR KONTROL BLOĞU, LEVYELİ (PİSTONLU POMPA & TİP B) BUCKET RAM CONTROL BLOCK, LEVERS (PISTON PUMP & TYPE B)



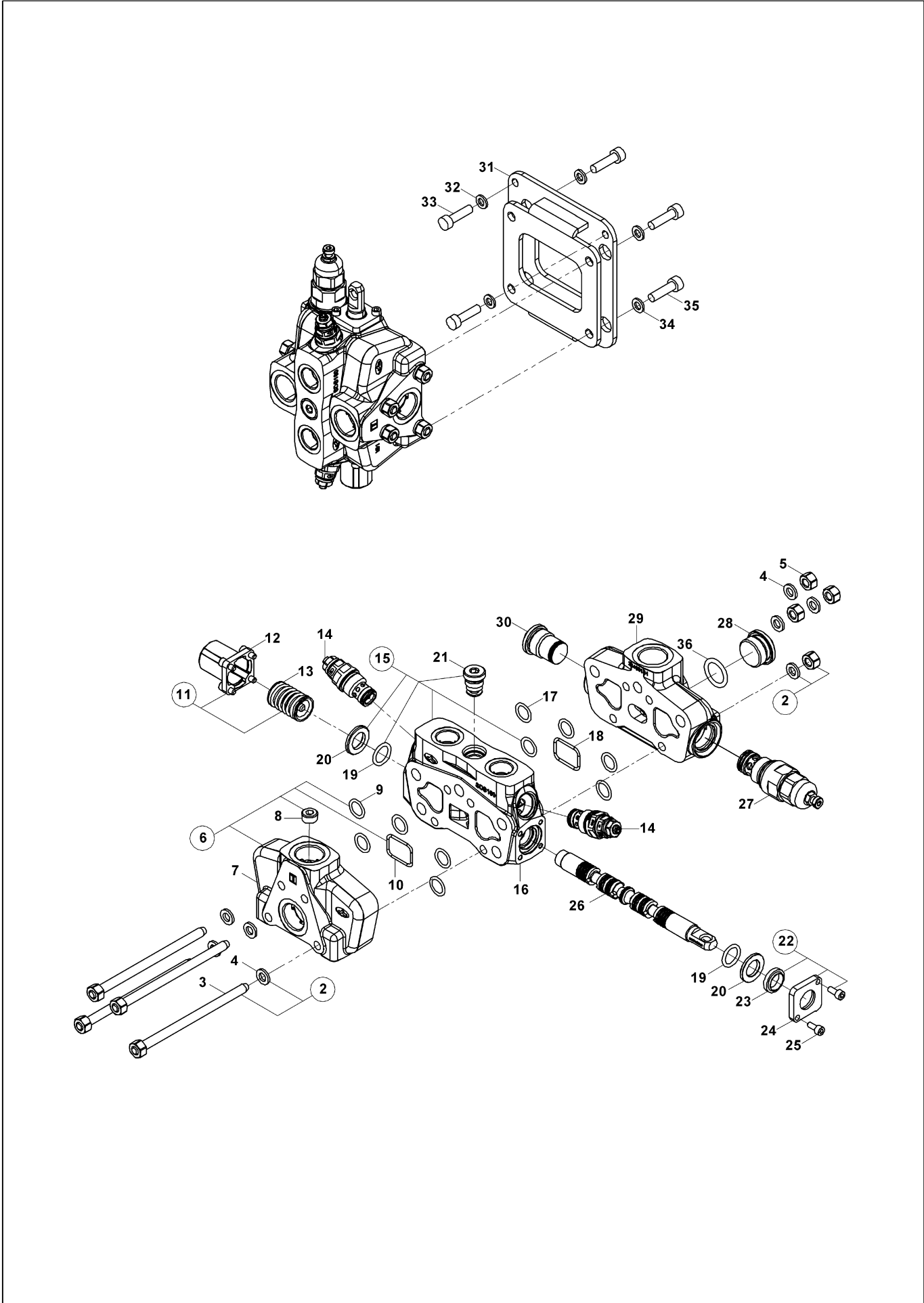
DÖNÜŞ SİLİNDİRİ KONTROL BLOĞU, LEVYELİ (PİSTONLU POMPA & TİP B)
SLEW SWING RAM CONTROL BLOCK, LEVERS (PISTON PUMP & TYPE B)



İLAVE ATAŞMAN KUMANDA VALFİ ADDITIONAL ATTACHMENT CONTROL VALVE



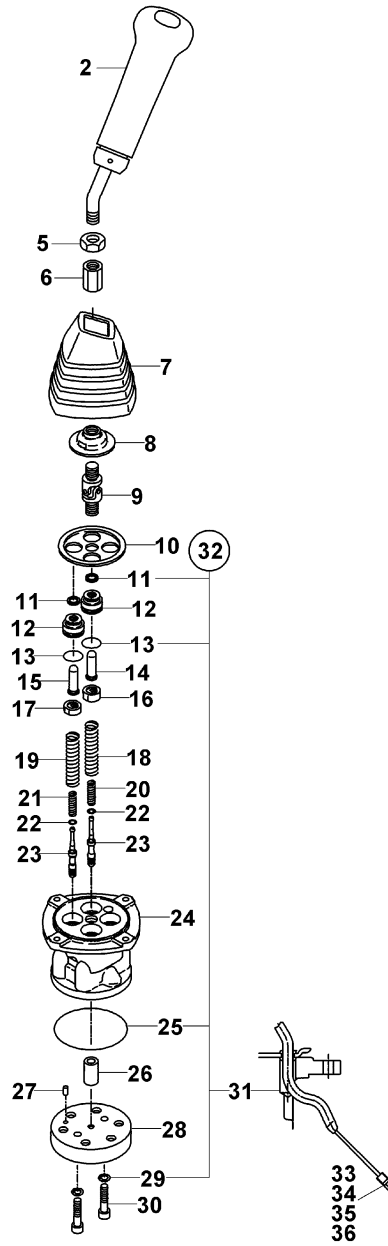
İLAVE ATAŞMAN KUMANDA VALFİ ADDITIONAL ATTACHMENT CONTROL VALVE



JOYSTICK KUMANDA, SAĞ (OP) REMOTE CONTROL VALVE, RH (OP)

12, 15, 17, 19, 21, 22, ve 23' ÜN SÖKÜLMESİ DURUMUNDA BU PARÇALARIN ORJINAL MONTAJ SIRASINDA OLDUĞUNDAN VE ORJINAL SÜRGÜ HIZASINDA MONTAJLANDIĞINDAN EMİN OLUNUZ.

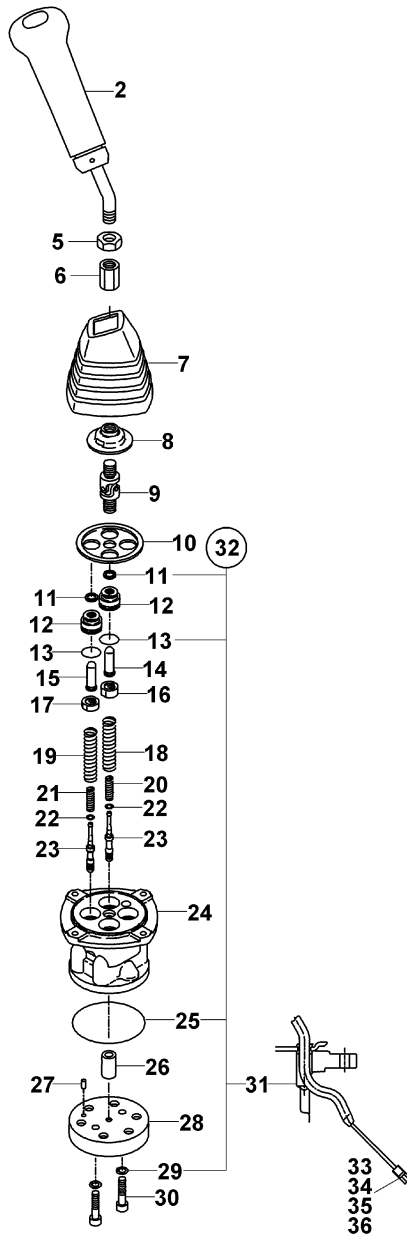
IF REMOVING ITEM NUMBERS 12, 15, 17, 19, 21, 22, AND 23 ENSURE THAT THESE ARE KEPT IN ORJINAL ASSEMBLY ORDER ARE ASSEMBLED TO THE ORJINAL SPOOL BORE.



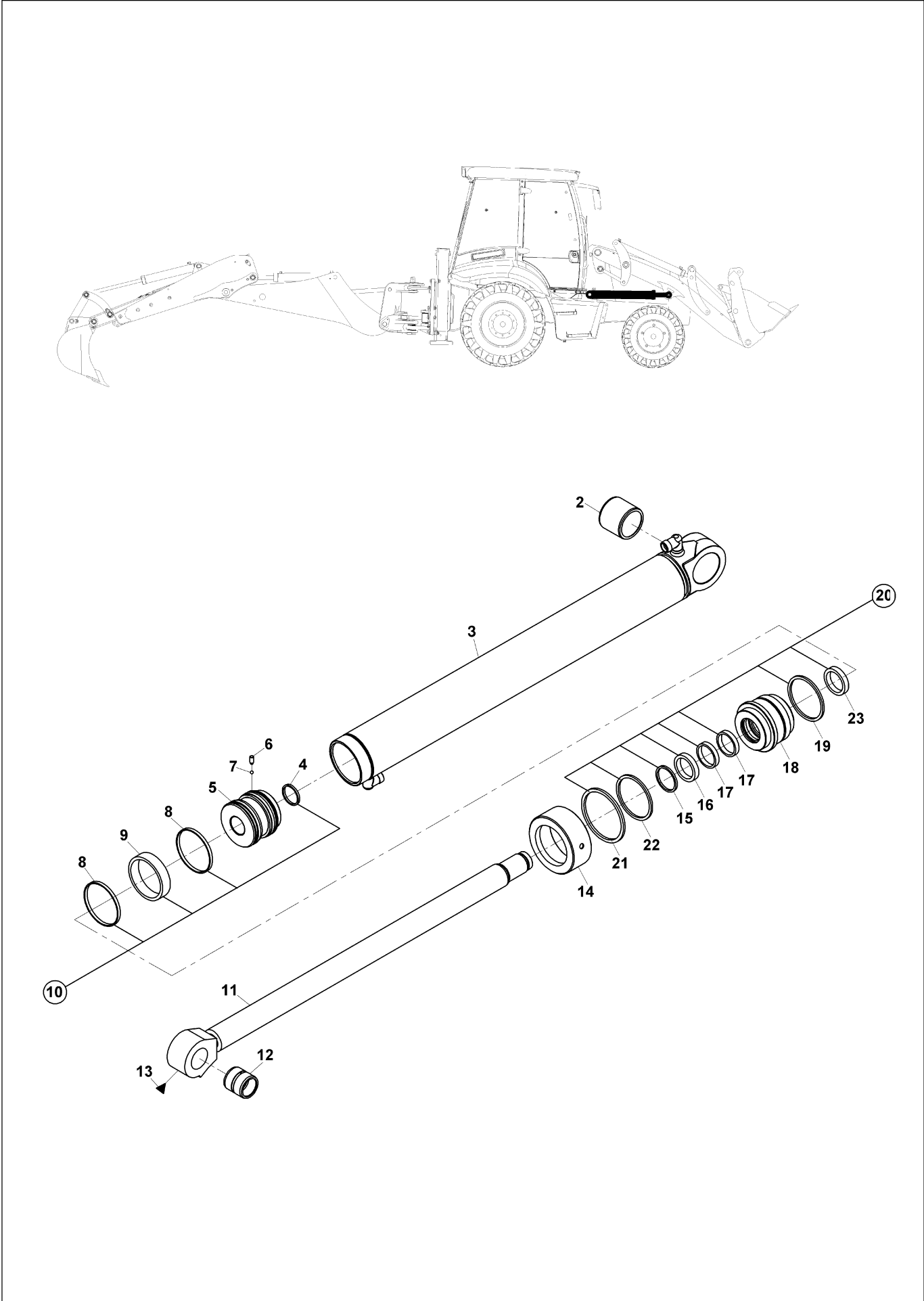
JOYSTICK KUMANDA, SOL (OP) REMOTE CONTROL VALVE, LEFT (OP)

12, 15, 17, 19, 21, 22, ve 23' ÜN SÖKÜLMESİ DURUMUNDA BU PARÇALARIN ORJİNAL MONTAJ SIRASINDA OLDUĞUNDAN VE ORJİNAL SÜRGÜ HİZASINDA MONTAJLANDIĞINDAN EMİN OLUNUZ.

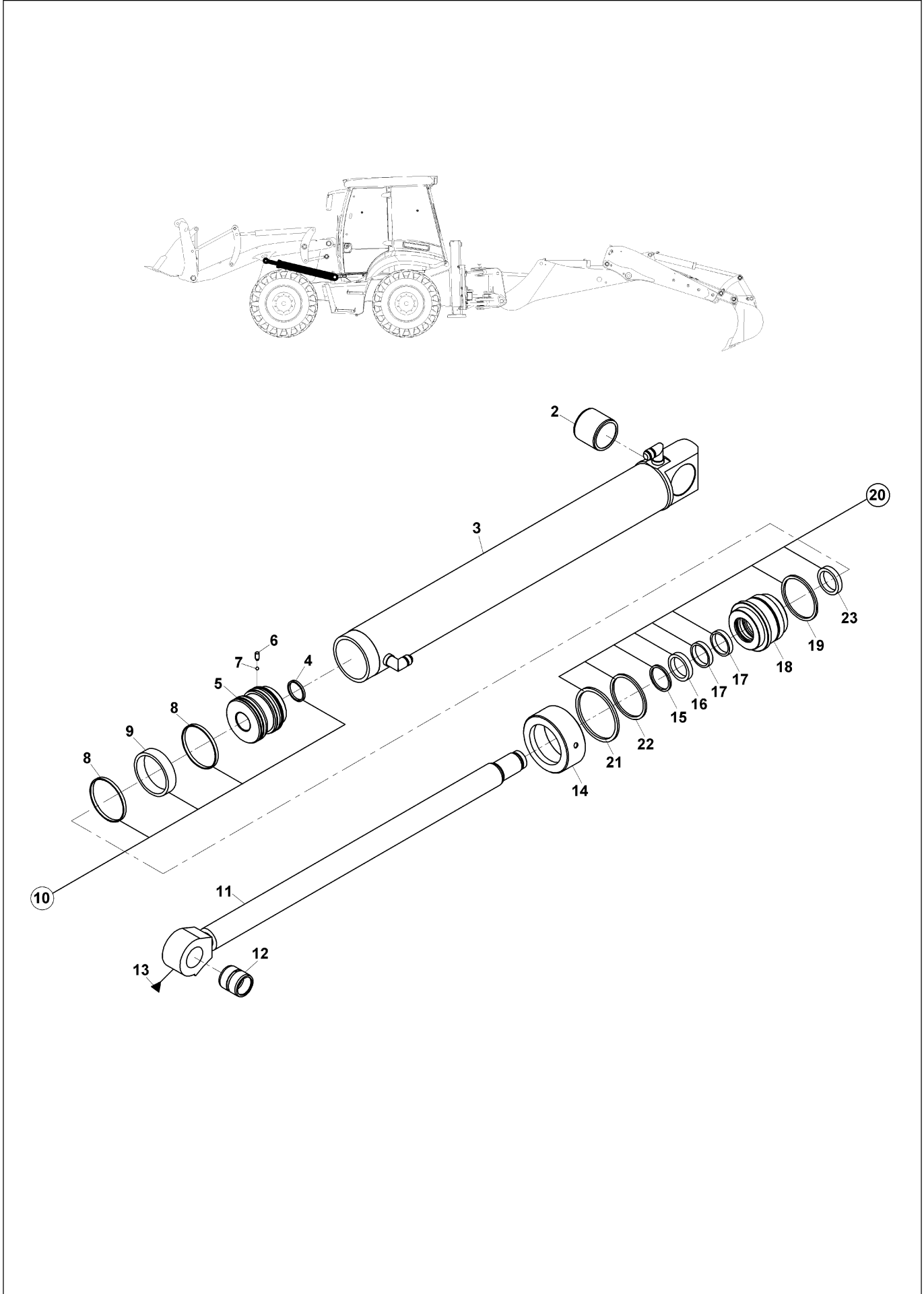
IF REMOVING ITEM NUMBERS 12, 15, 17, 19, 21, 22, AND 23 ENSURE THAT THESE ARE KEPT IN ORJİNAL ASSEMBLY ORDER ARE ASSEMBLED TO THE ORJİNAL SPOOL BORE.



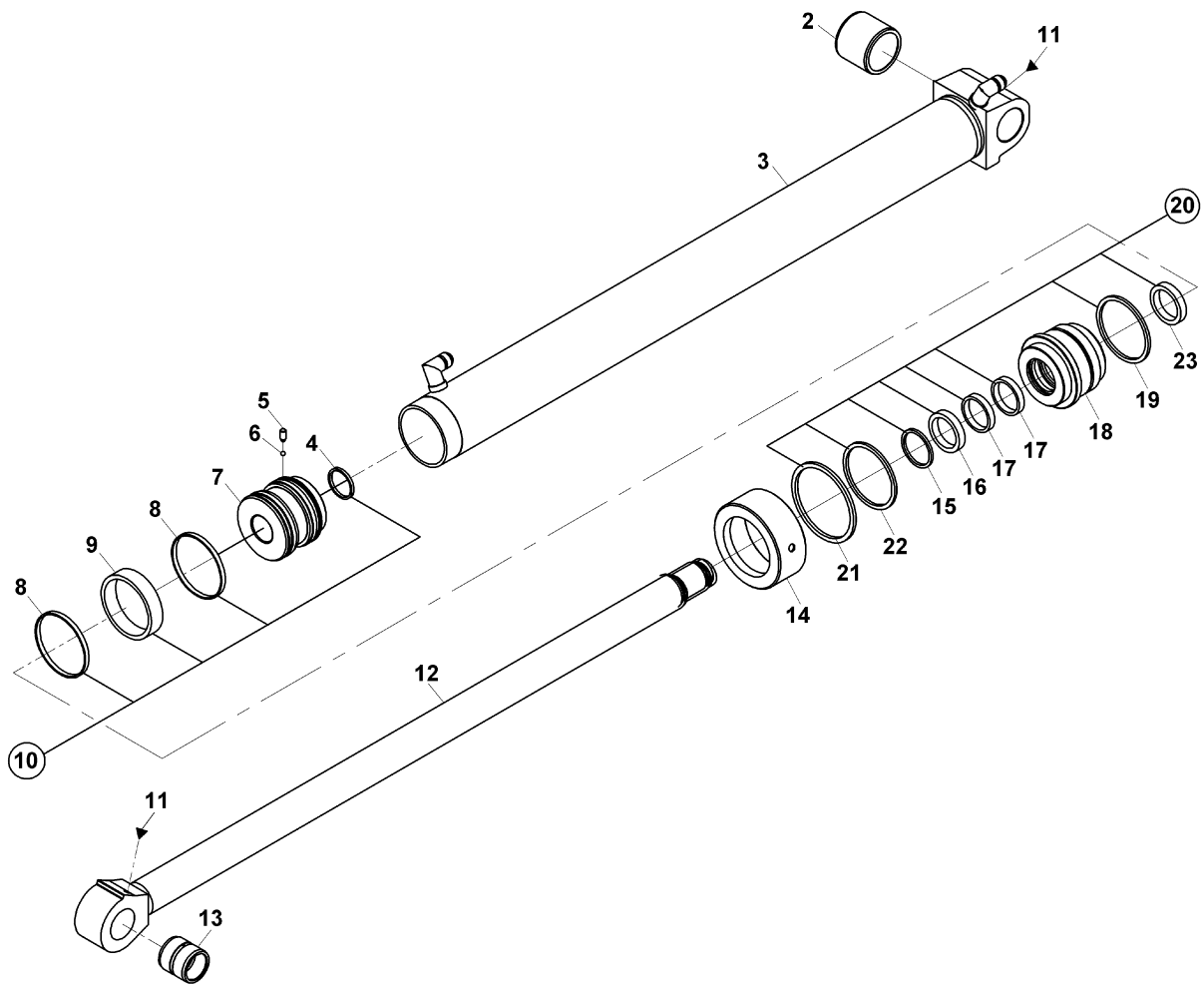
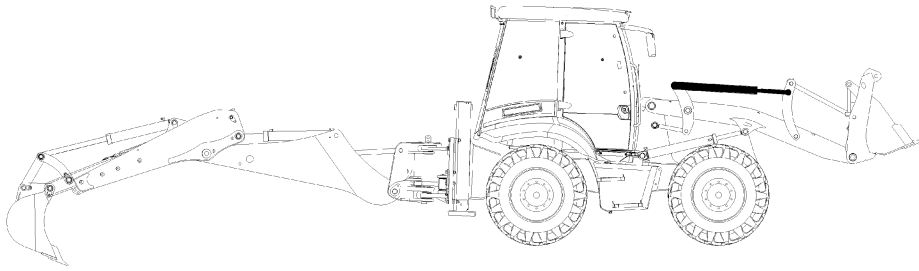
KALDIRICI SİLİNDİR, YÜKLEYİCİ LIFT CYLINDER, LOADER



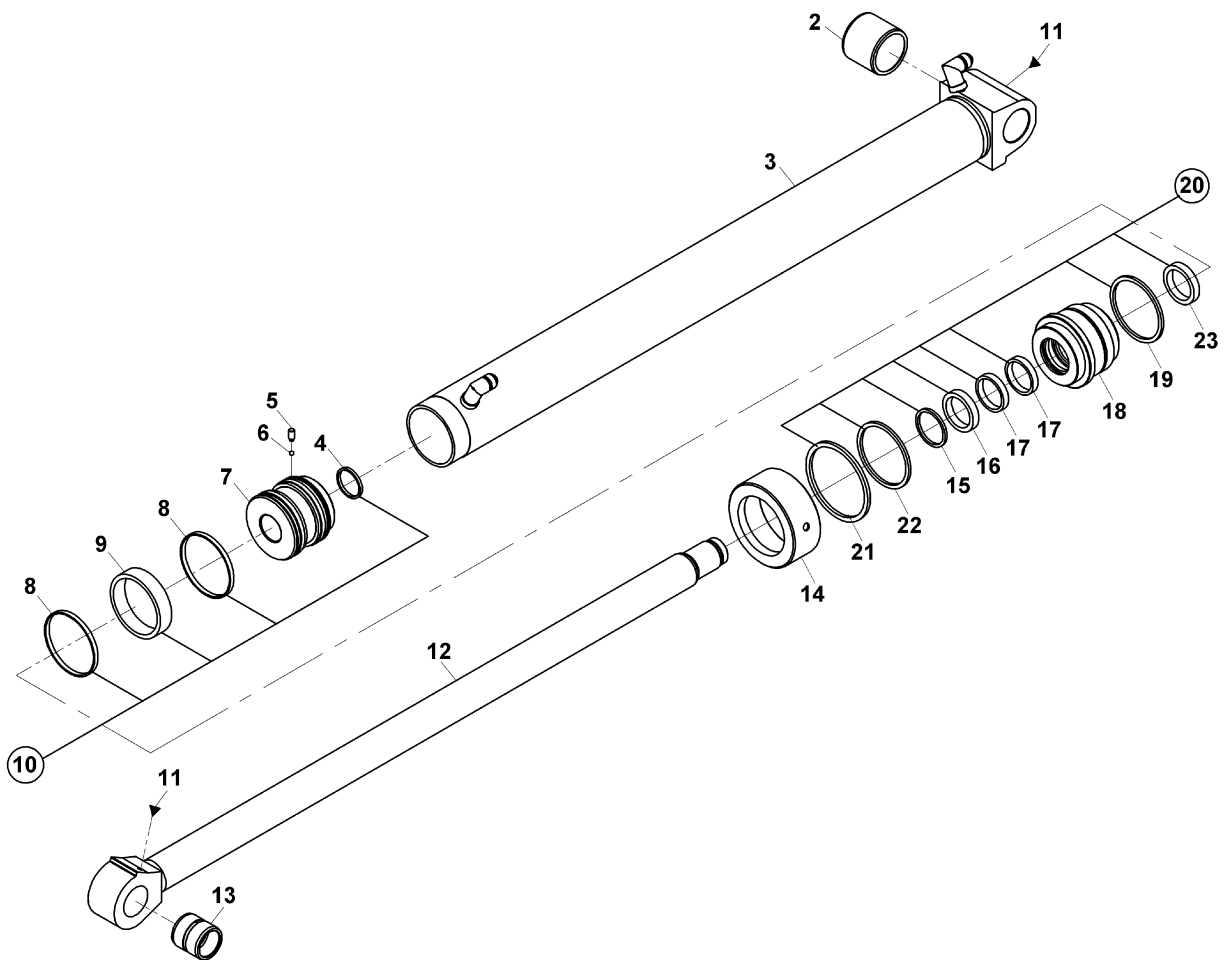
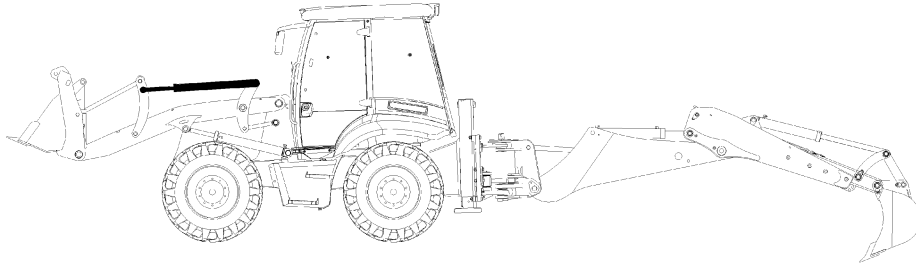
KALDIRICI SİLİNDİR, YÜKLEYİCİ, SOL LIFT CYLINDER, LOADER, LH



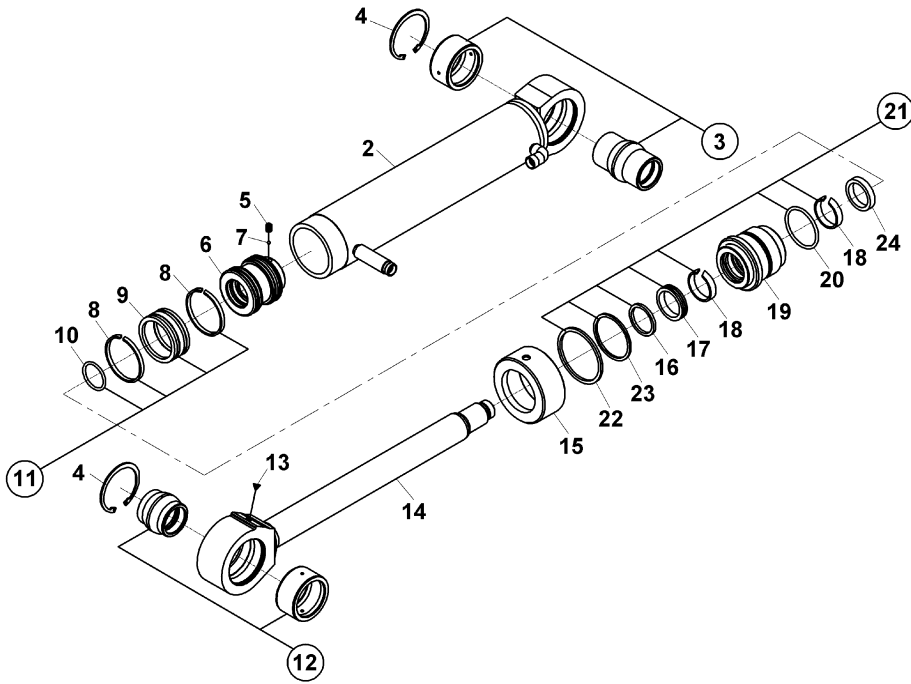
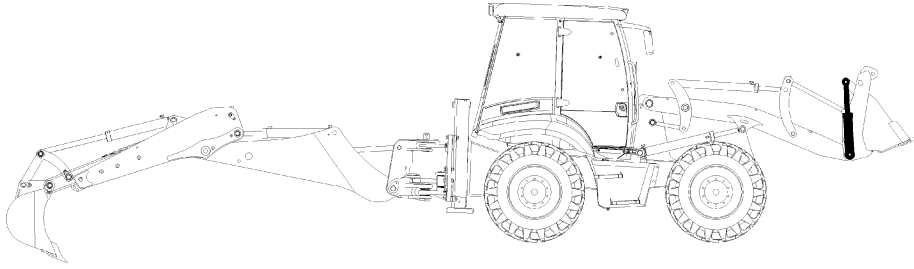
KEPÇE SİLİNDİRİ, YÜKLEYİCİ, SAĞ BUCKET CYLINDER, LOADER, RH



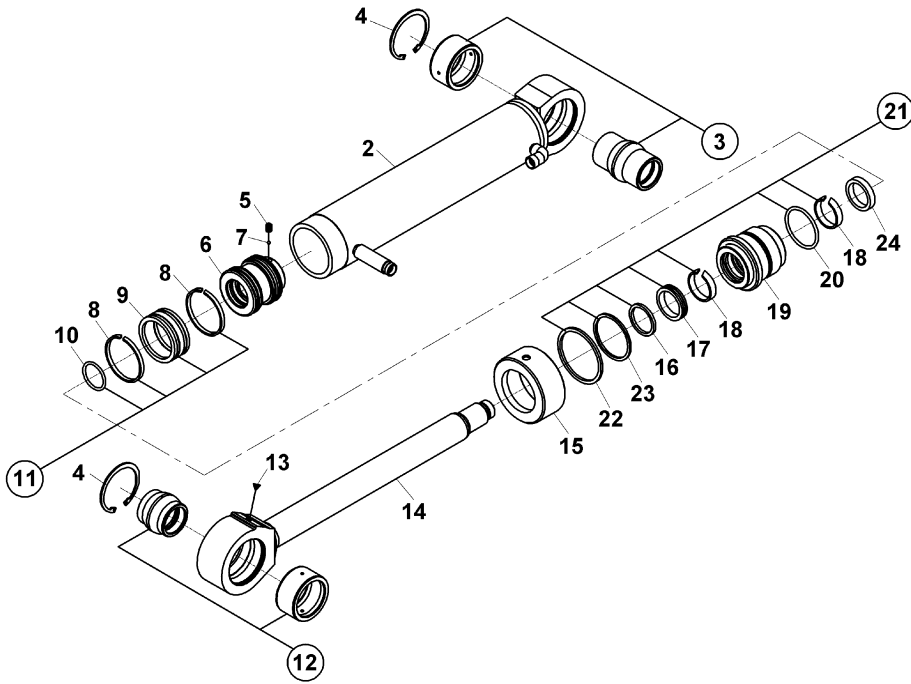
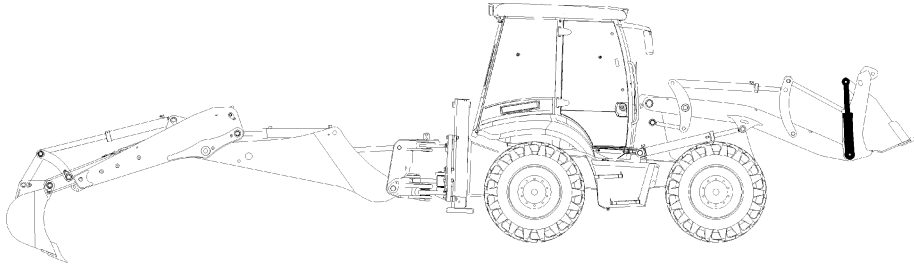
KEPÇE SİLİNDİRİ, YÜKLEYİCİ, SOL BUCKET CYLINDER, LOADER, LH



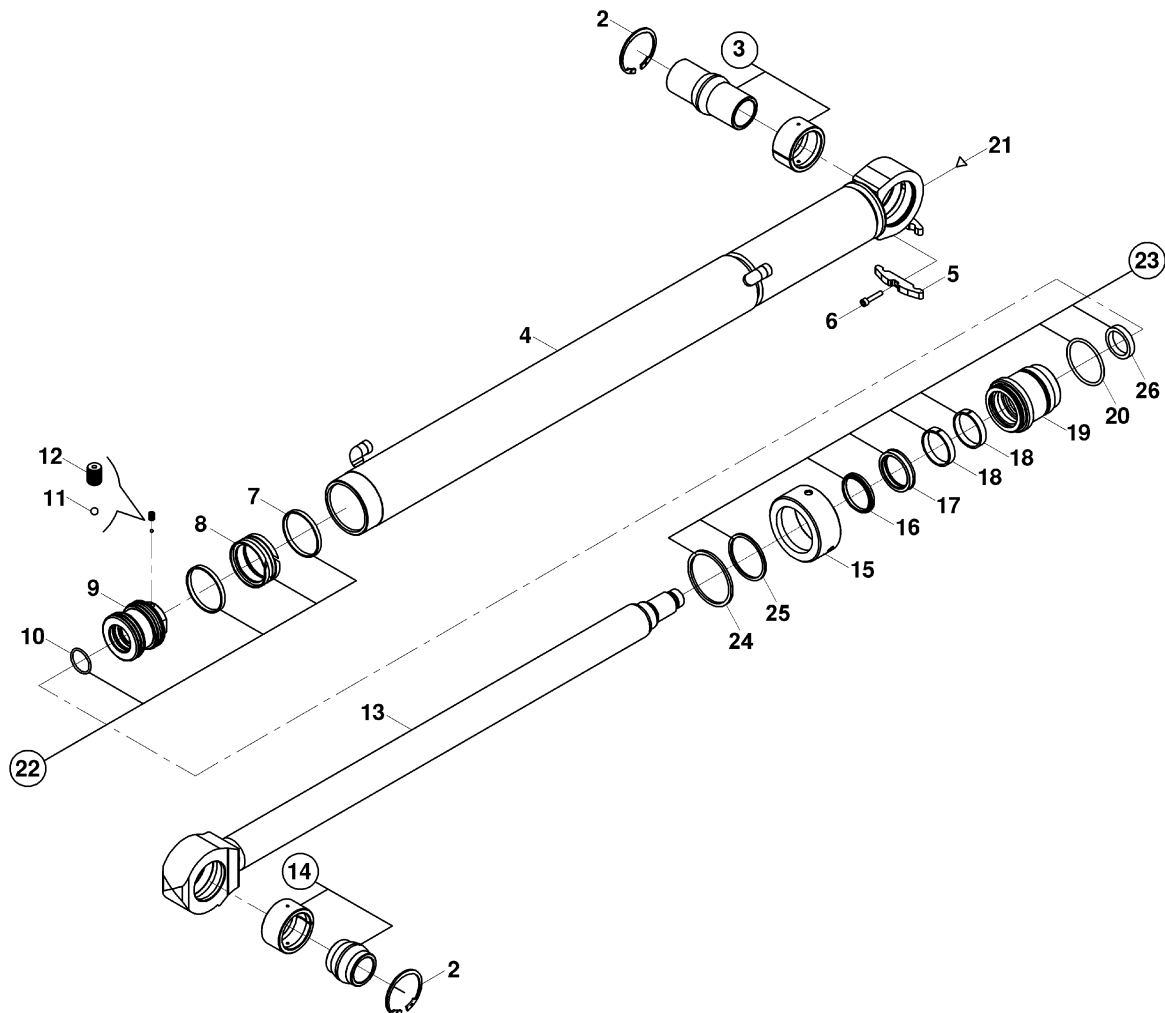
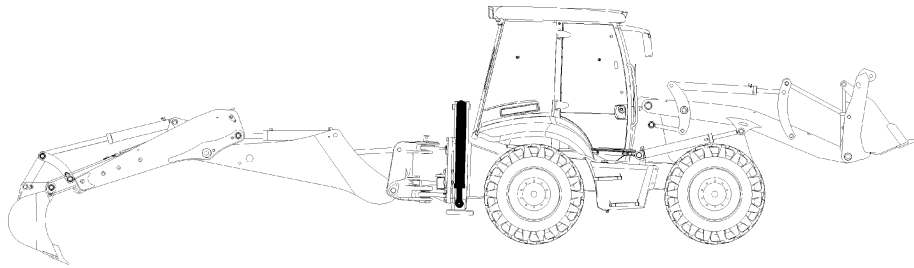
AÇILIR KEPÇE SİLİNDİRİ MULTIPURPOSE BUCKET CYLINDER



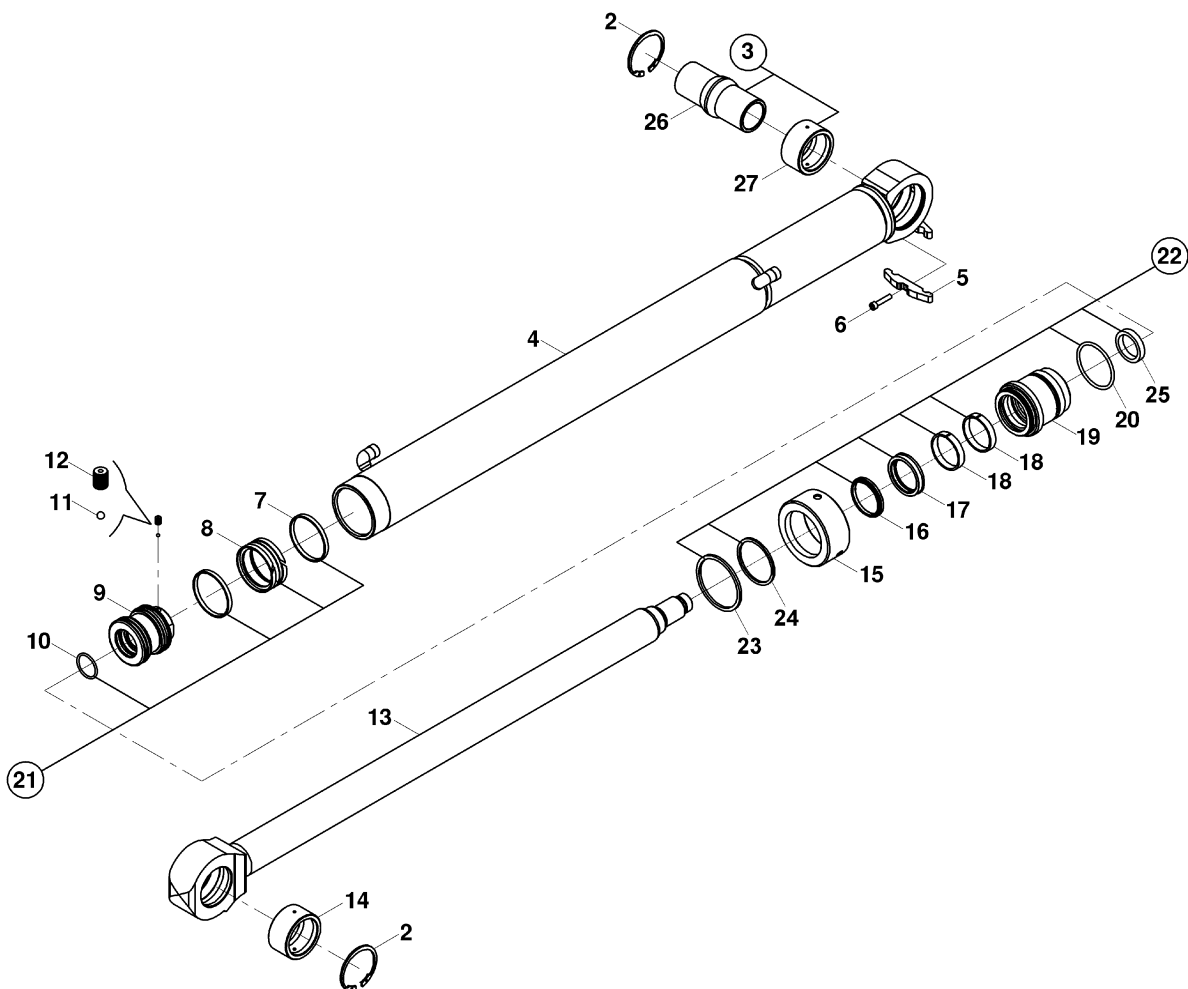
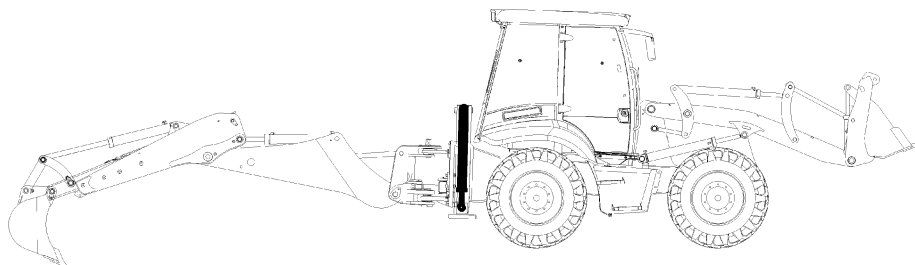
AÇILIR KEPÇE SİLİNDİRİ MULTIPURPOSE BUCKET CYLINDER



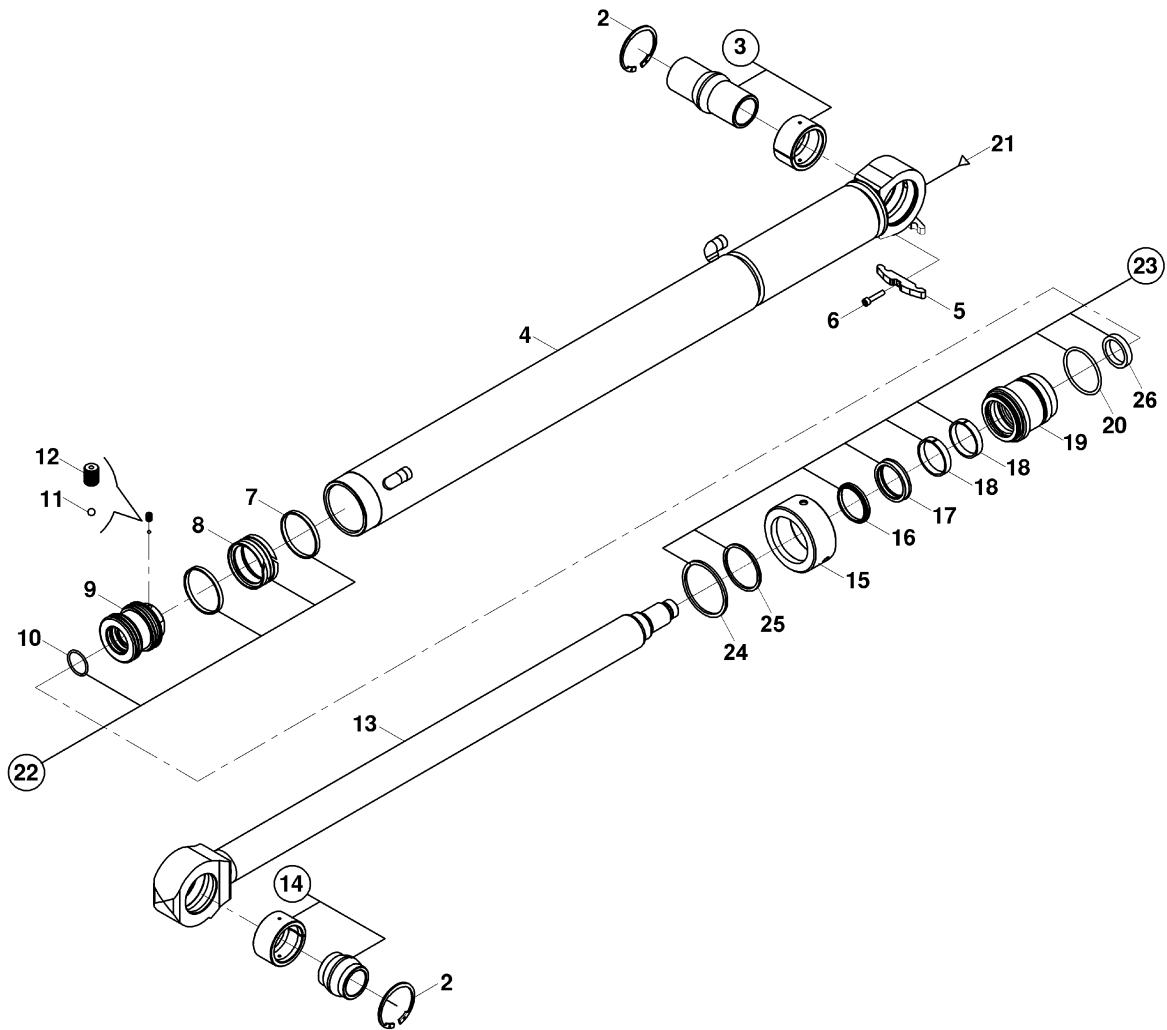
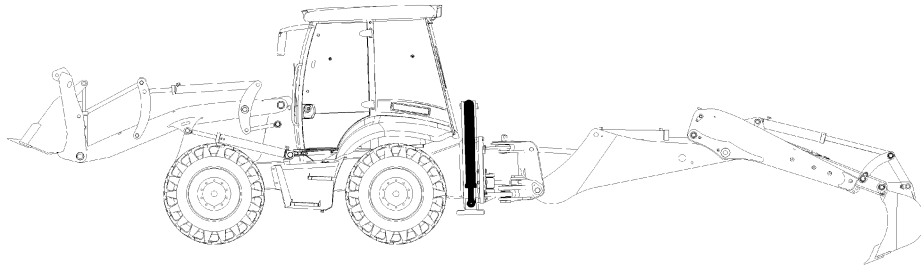
AYAK SİLİNDİRİ, SAĞ STABILIZER CYLINDER, RH



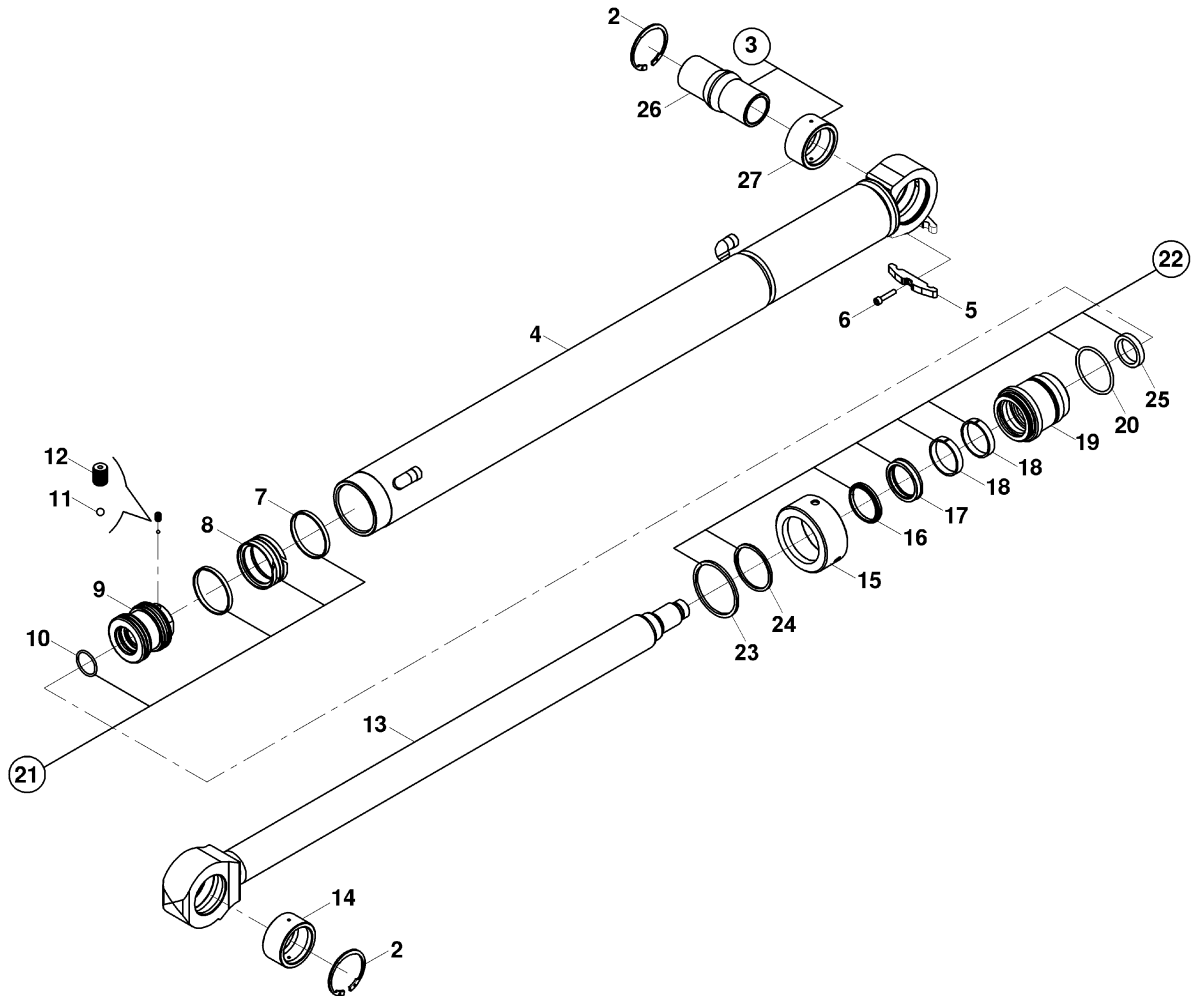
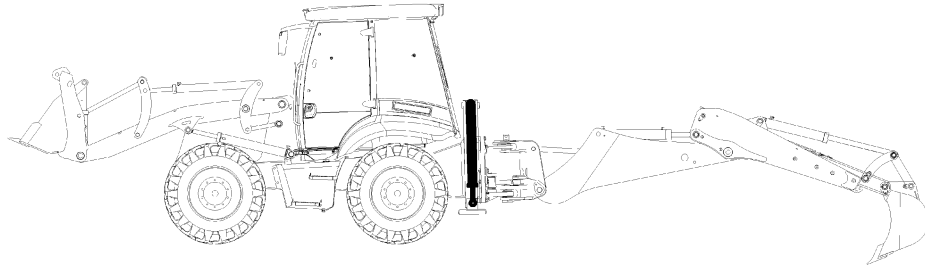
AYAK SİLİNDİRİ, SAĞ STABILIZER CYLINDER, RH



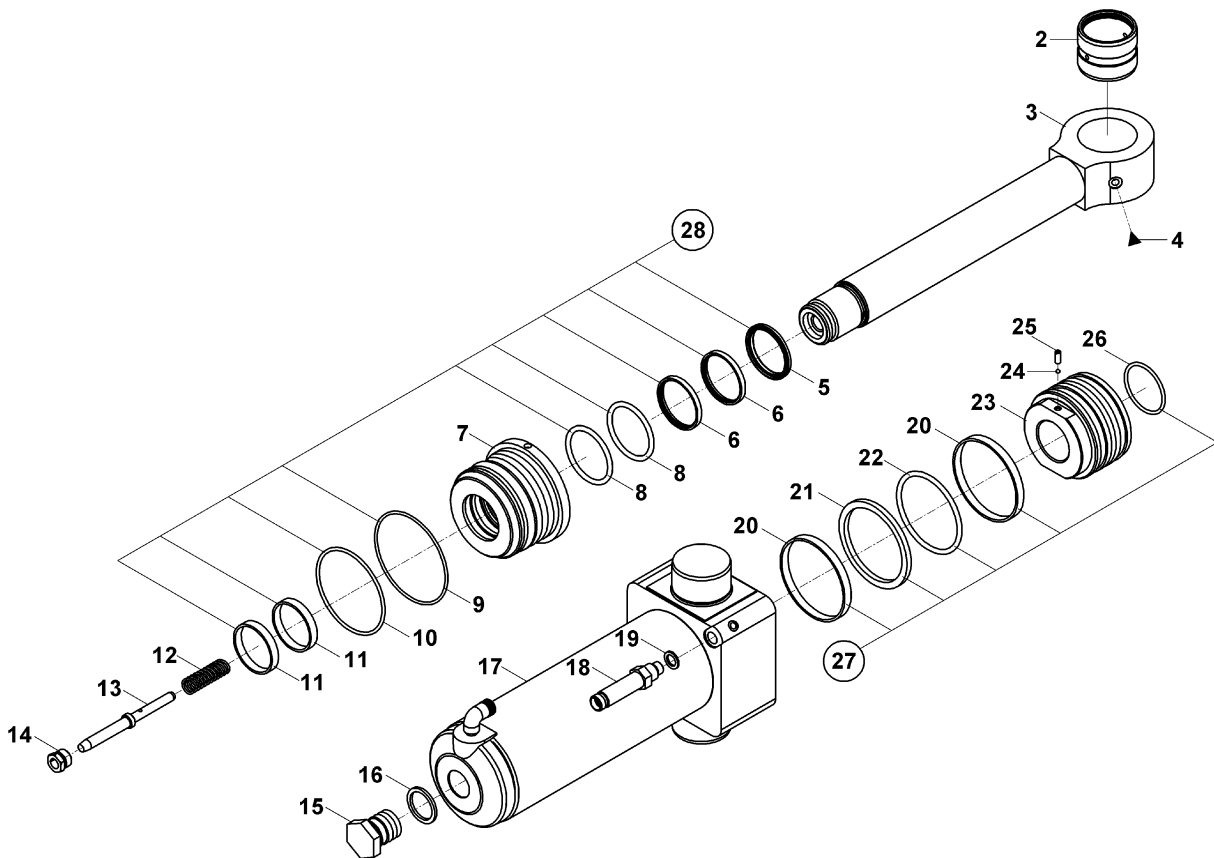
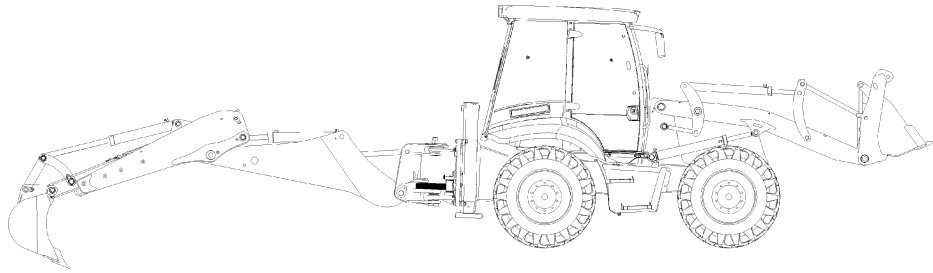
AYAK SİLİNDİRİ, SOL STABILIZER CYLINDER, LH



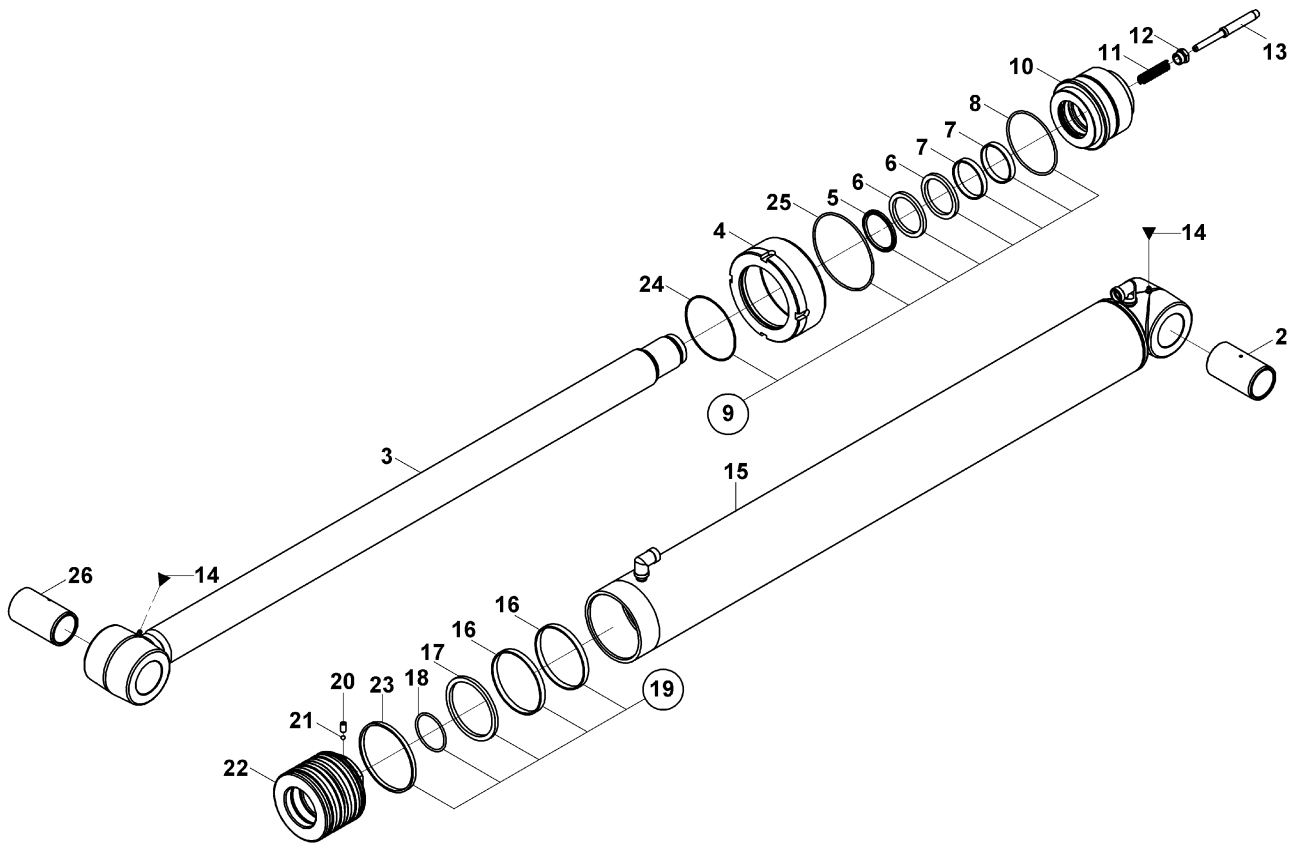
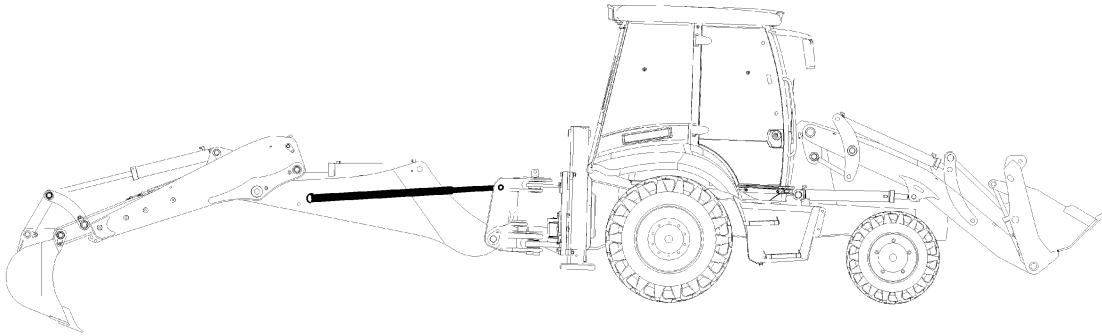
AYAK SİLİNDİRİ, SOL STABILIZER CYLINDER, LH



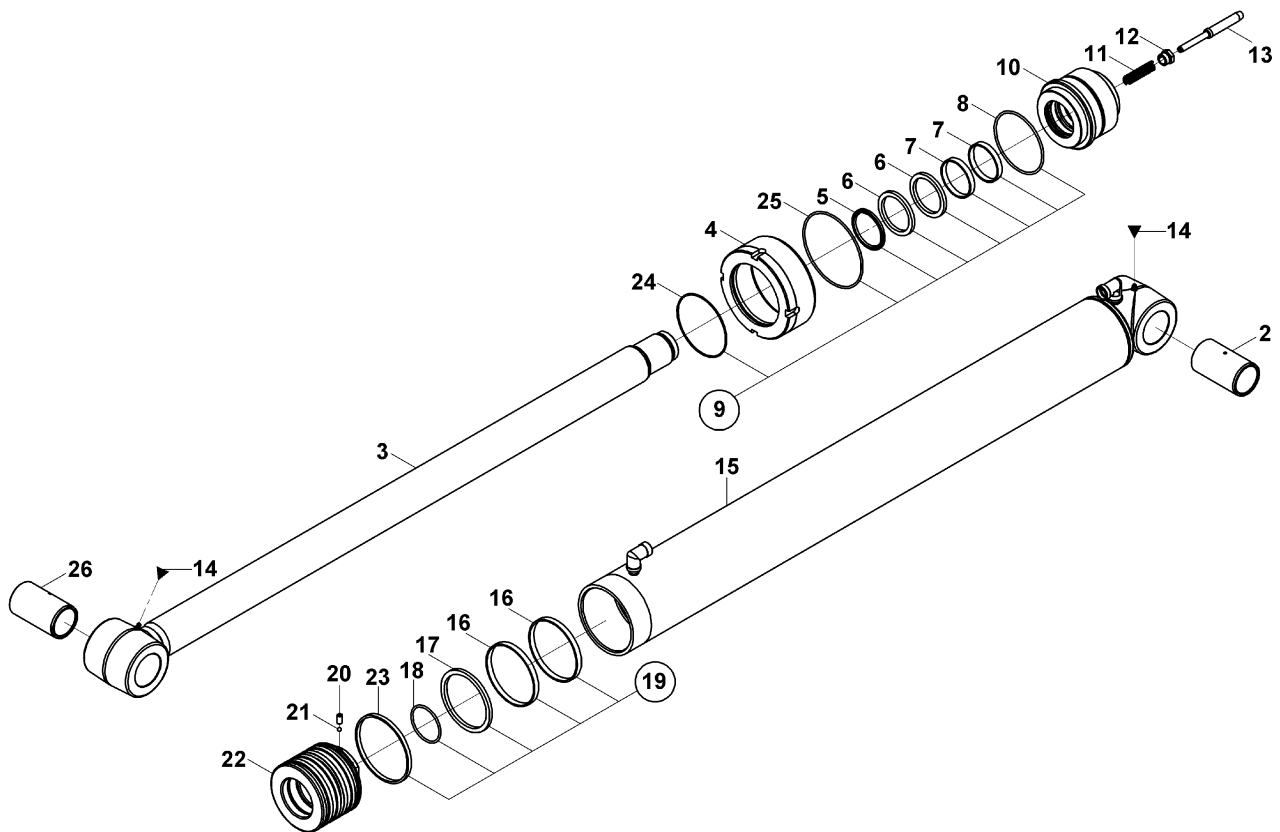
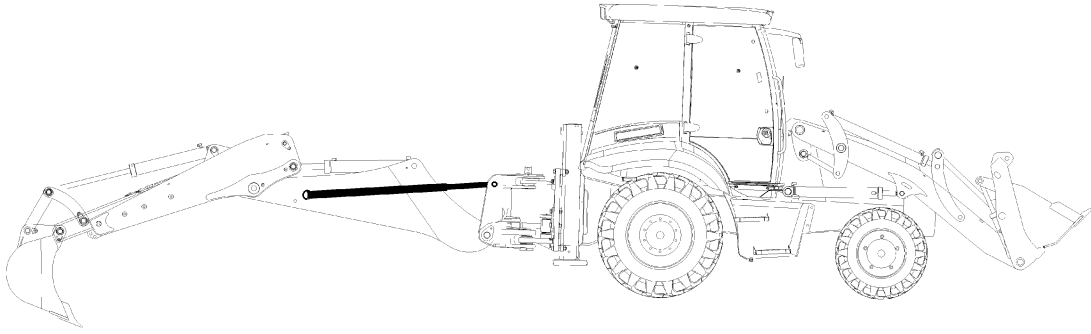
DÖNÜŞ SİLİNDİRİ SWING CYLINDER



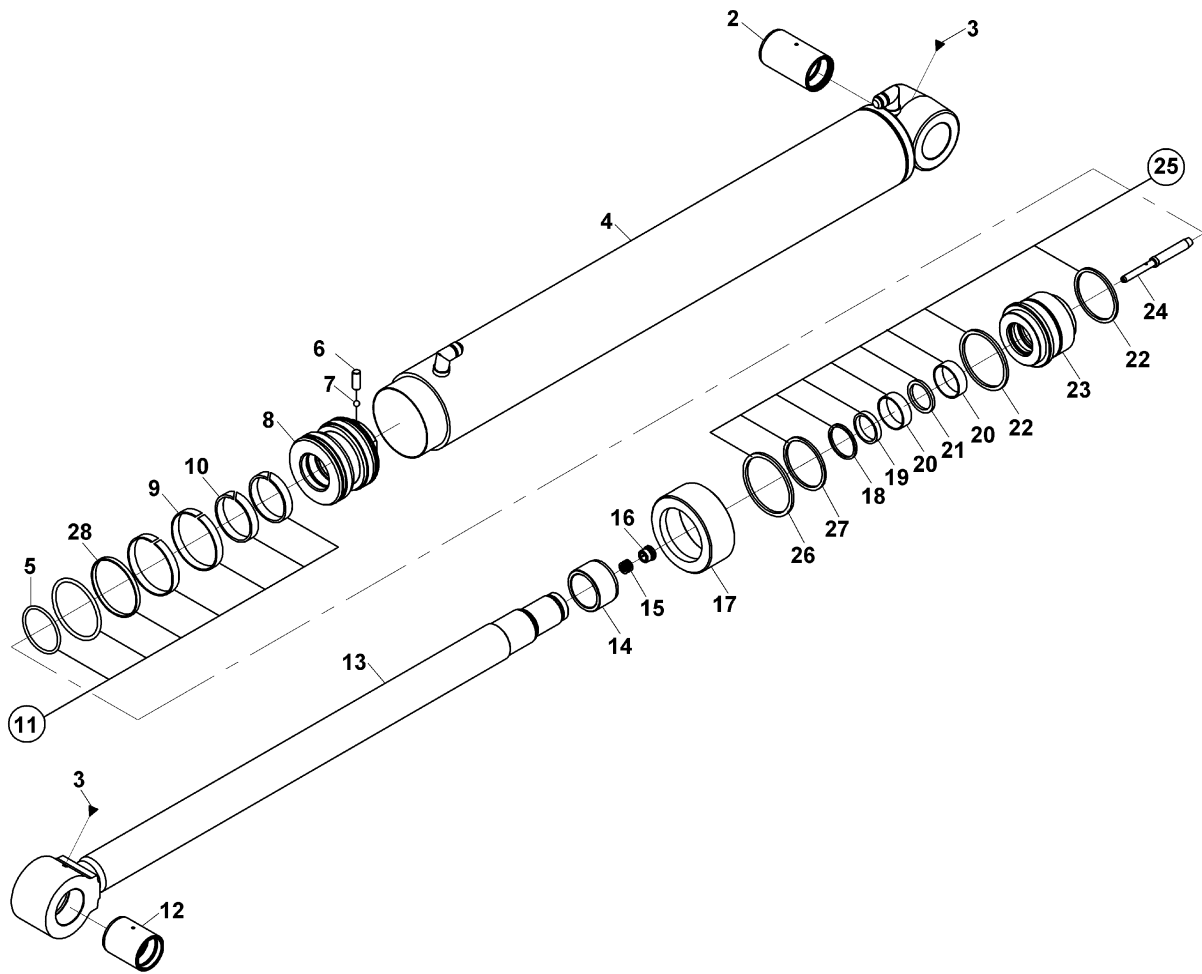
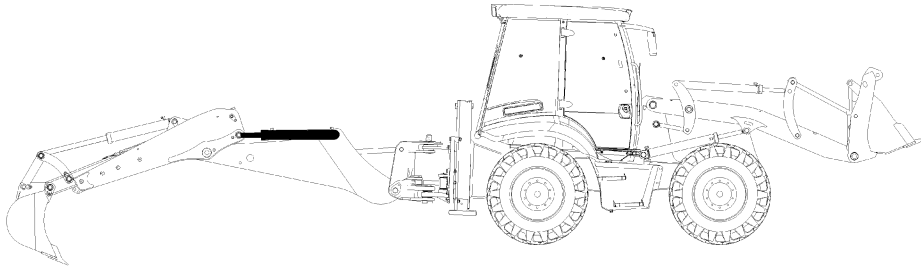
BOM SİLİNDİRİ, KAZICI BOOM CYLINDER, BACKHOE



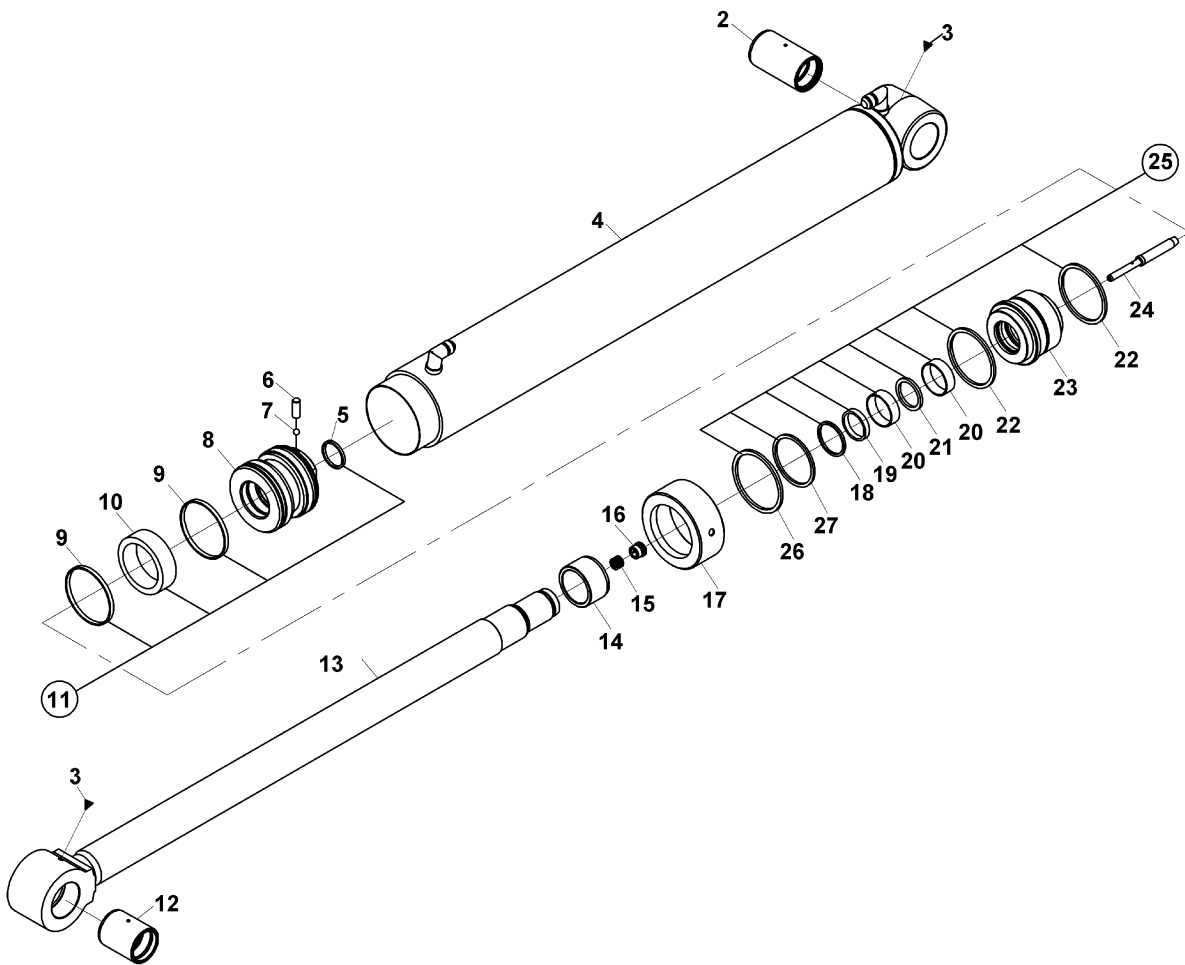
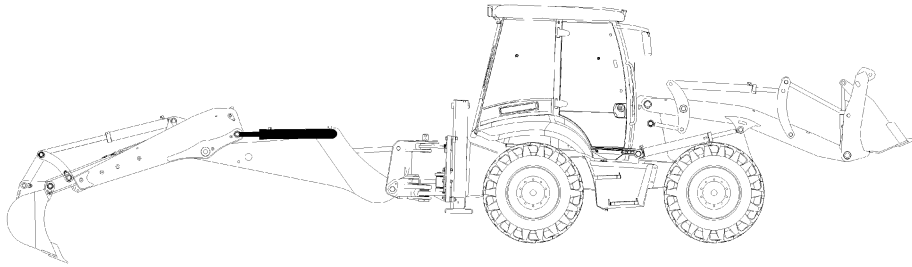
BOM SİLİNDİRİ, KAZICI BOOM CYLINDER, BACKHOE



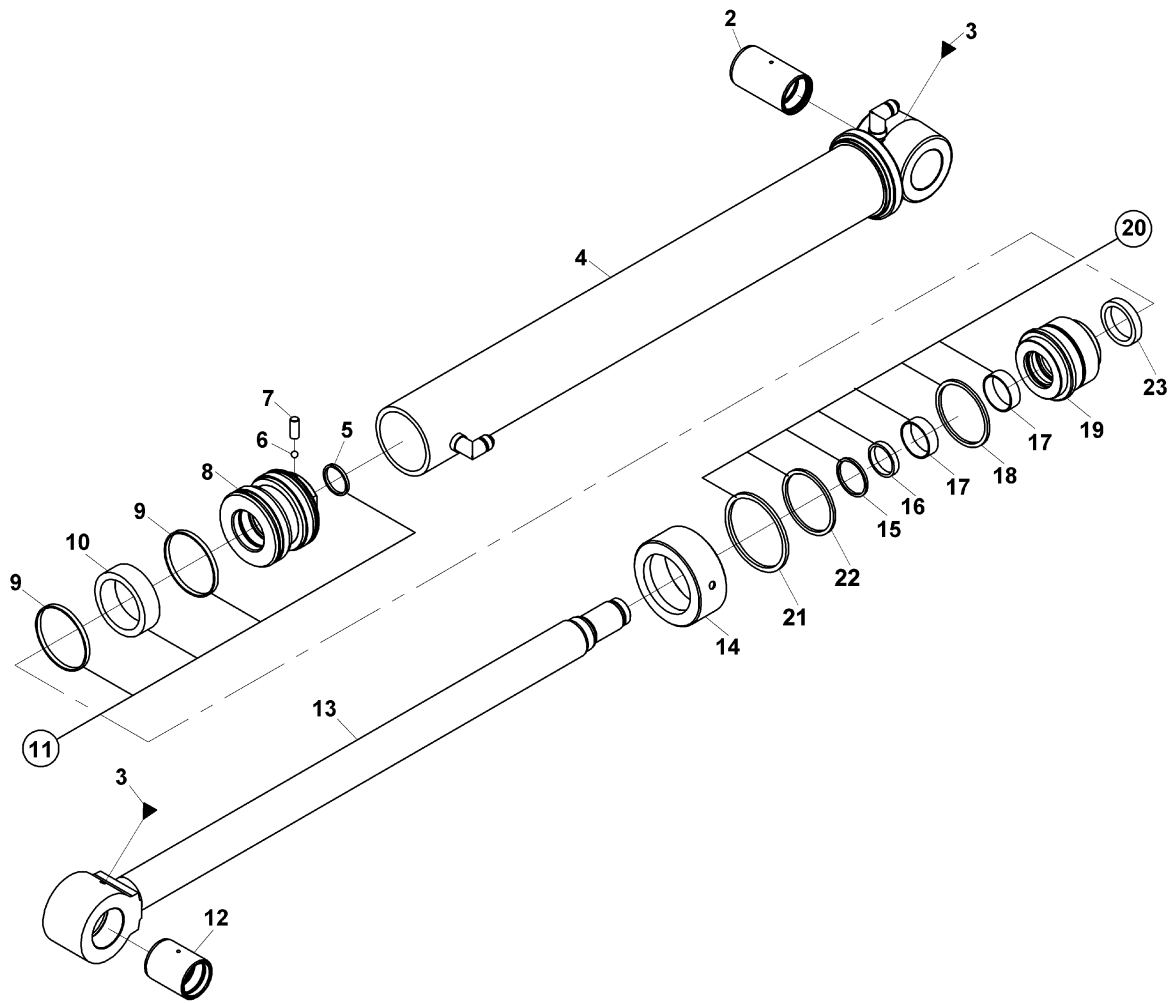
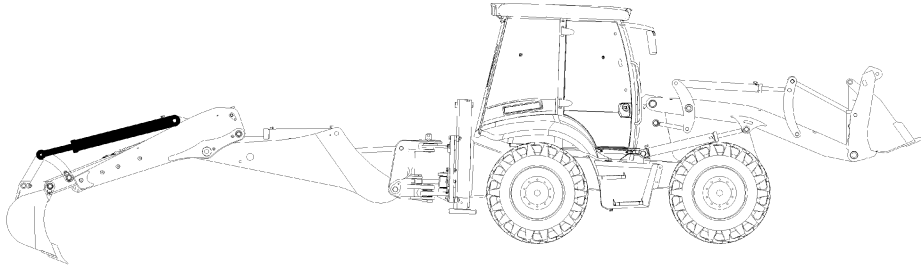
ARM SİLİNDİRİ, KAZICI ARM CYLINDER, BACKHOE



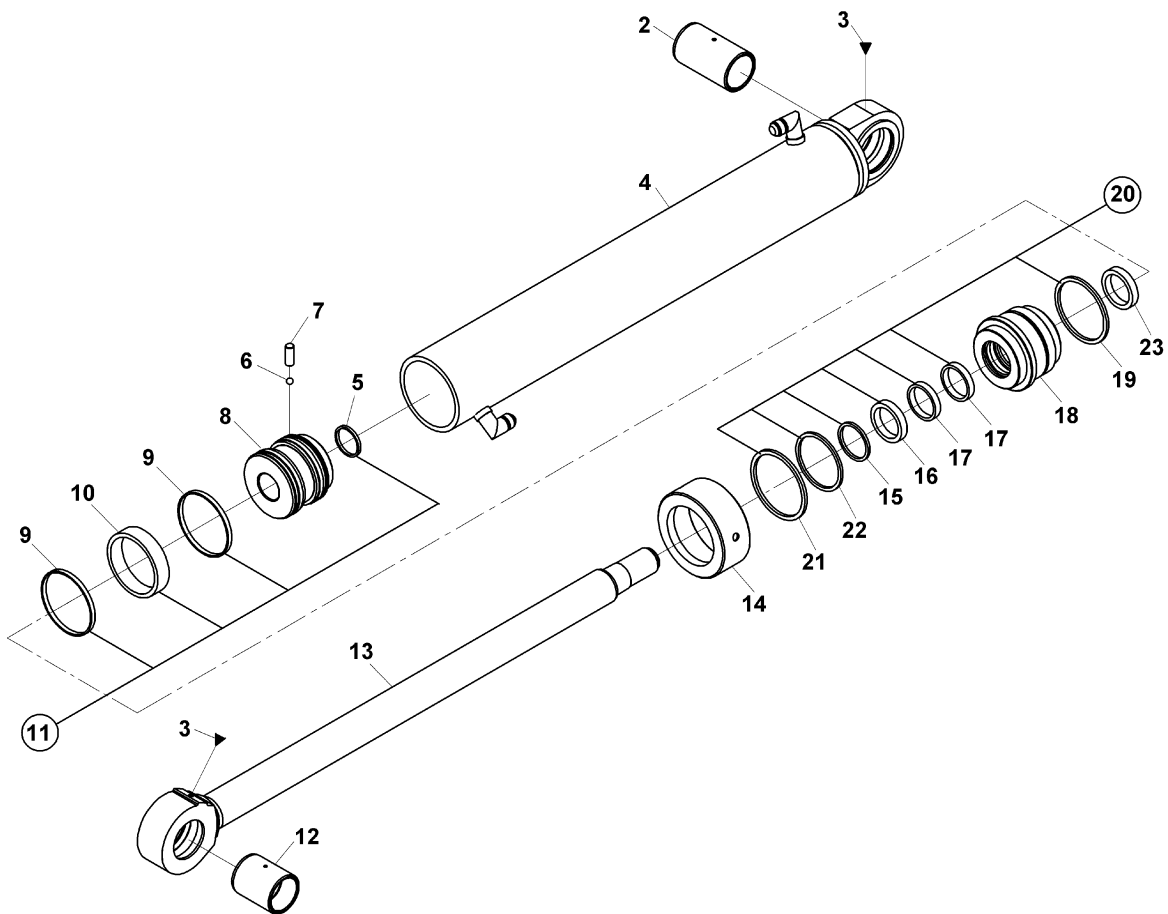
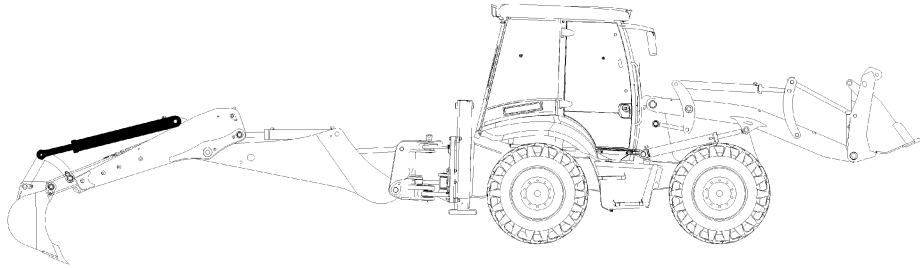
ARM SİLİNDİRİ, KAZICI ARM CYLINDER, BACKHOE



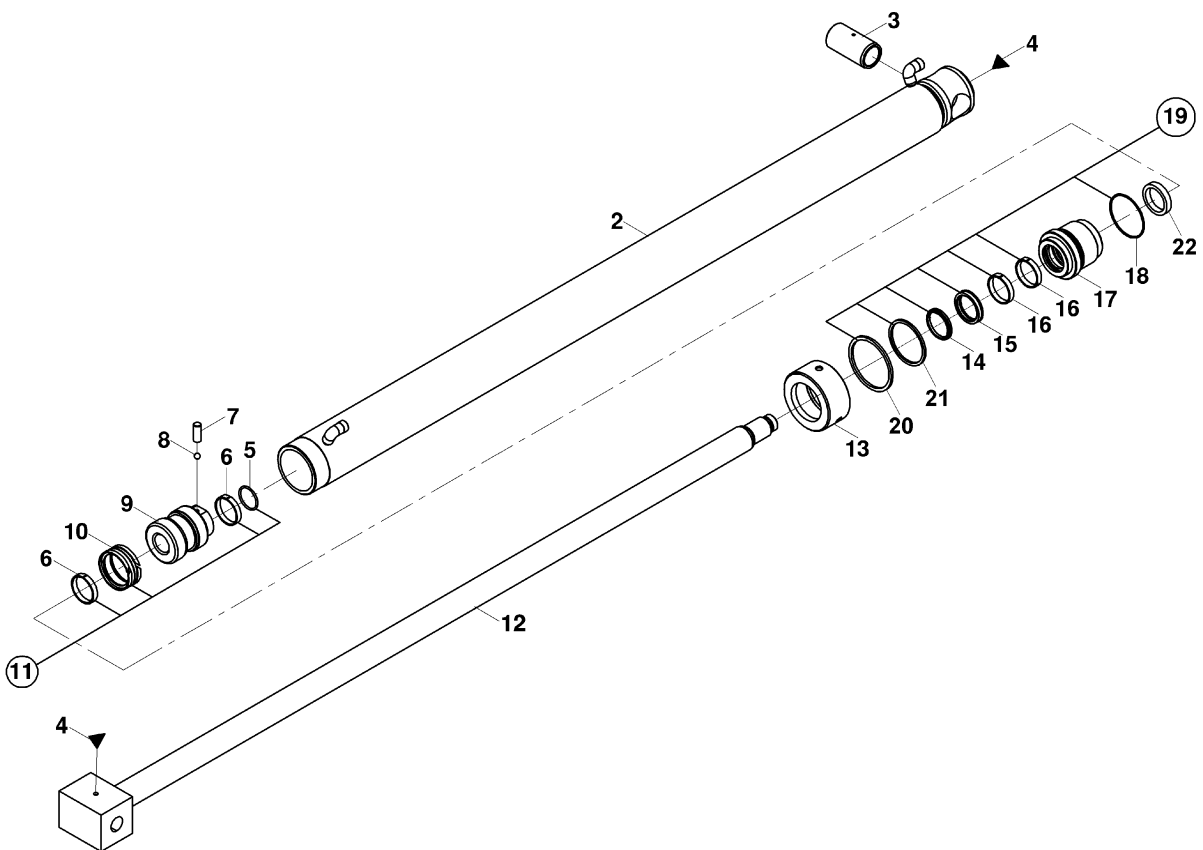
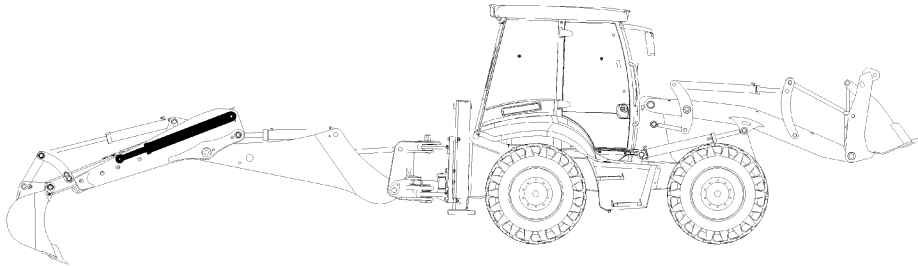
KEPÇE SİLİNDİRİ, KAZICI BUCKET CYLINDER, BACKHOE



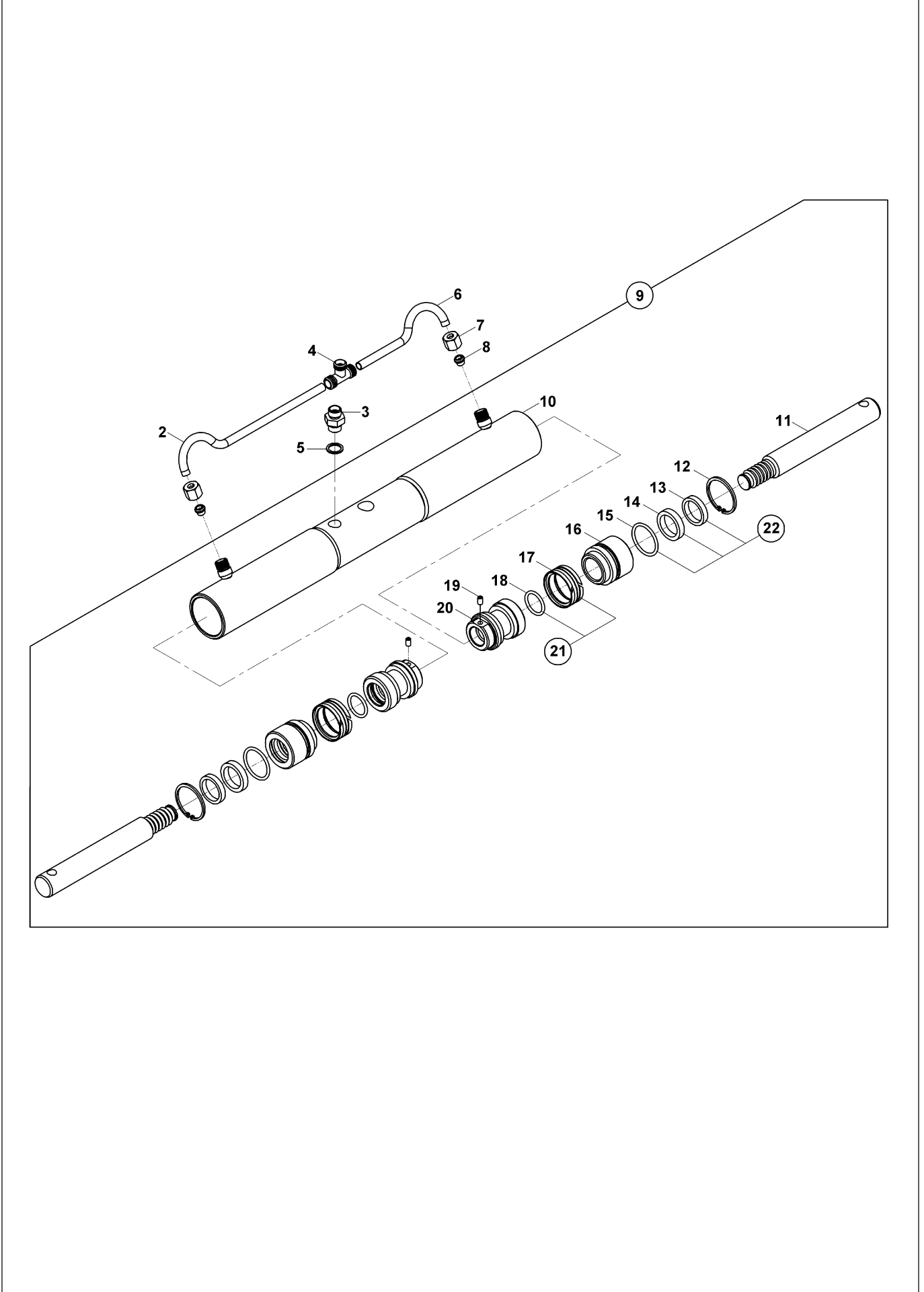
KEPÇE SİLİNDİRİ, KAZICI, TELESKOPIK (OP)
BUCKET CYLINDER, BACKHOE, TELESCOPIC (OP)



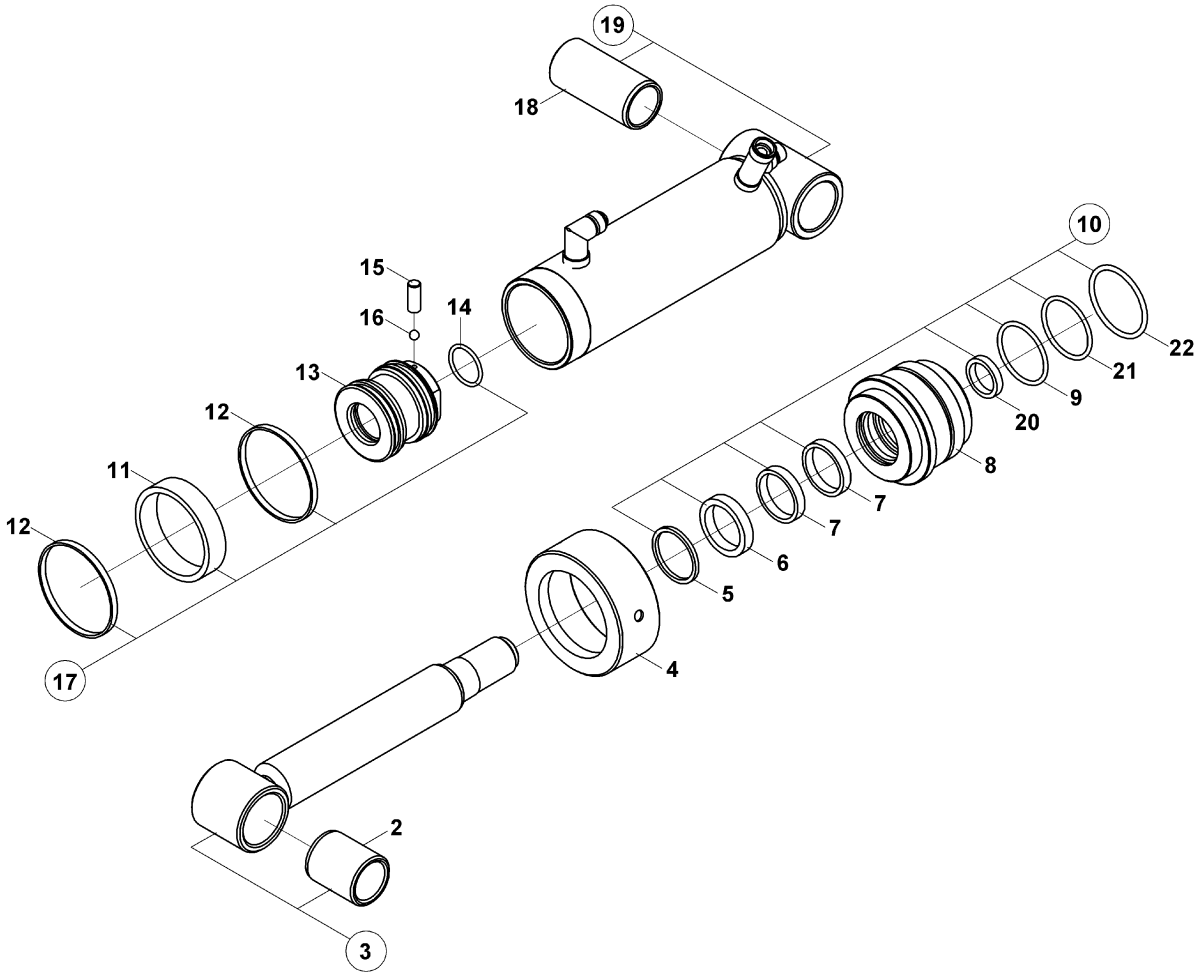
TELESKOPIK SİLİNDİR, KAZICI (OP)
TELESCOPIC CYLINDER, BACKHOE (OP)



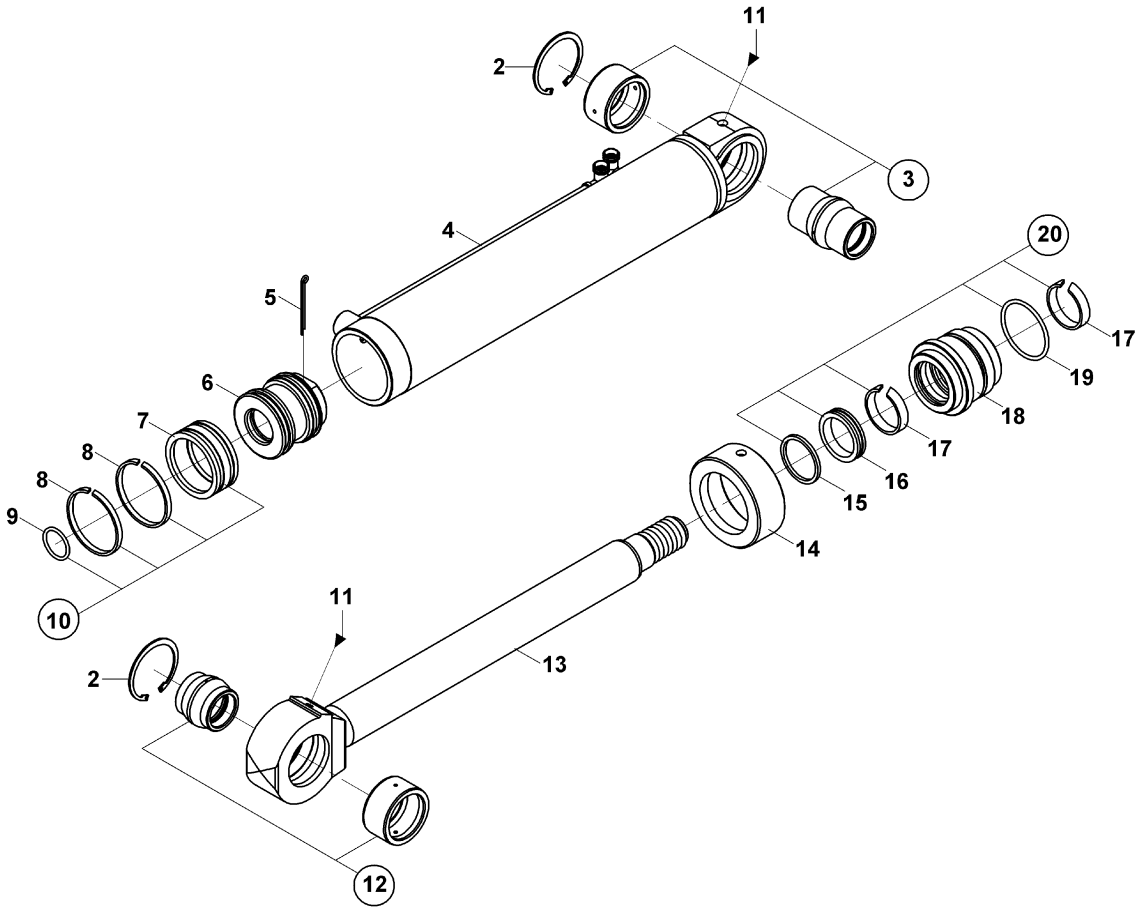
ÇABUK SÖK-TAK SİLİNDİRİ, YÜKLEYİCİ (OP)
QUICK COUPLER CYLINDER, LOADER (OP)



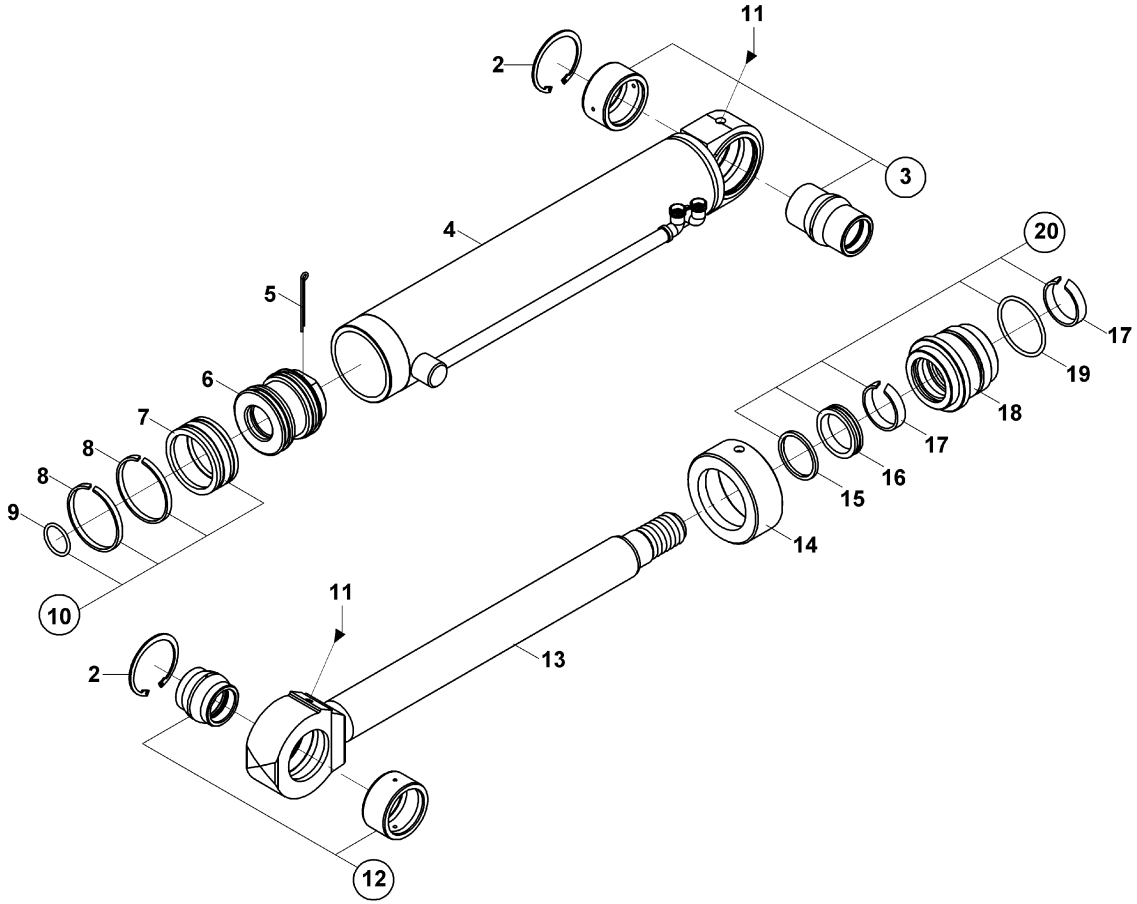
TESVİYE KÜREĞİ SİLİNDİRİ (OP)
LEVELLING BLADE CYLINDER (OP)



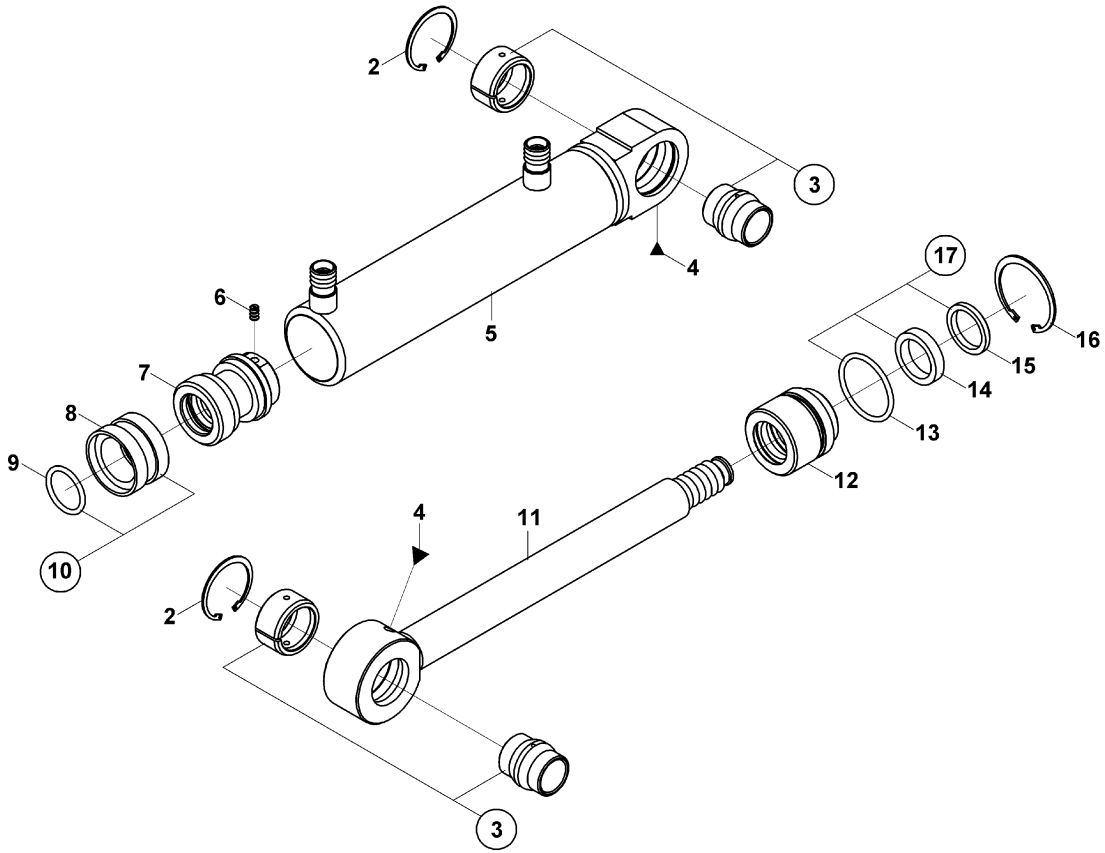
TESVİYE KÜREĞİ SİLİNDİRİ (ÇİFT EKSENLİ) SAĞ (OP)
LEVELLING BLADE CYLINDER (DOUBLE AXIS) RH (OP)



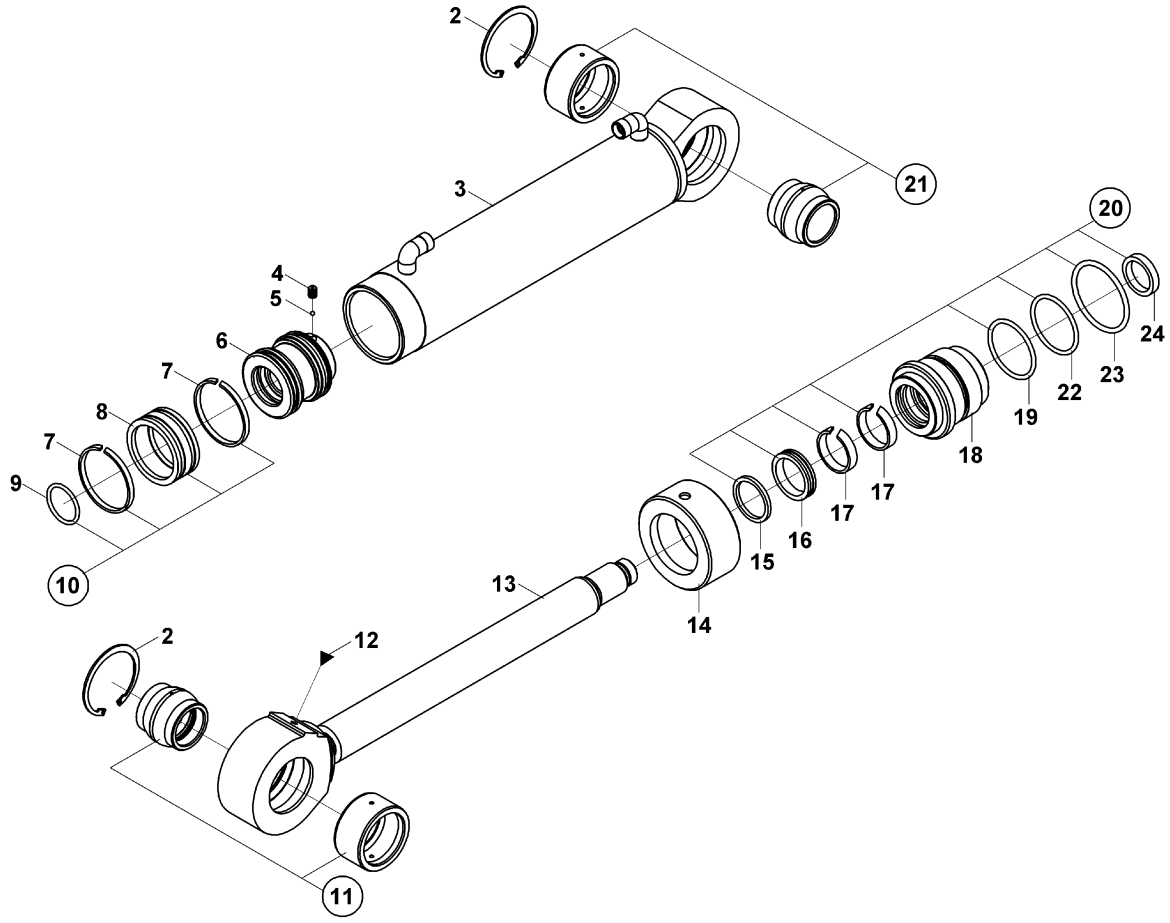
TESVİYE KÜREĞİ SİLİNDİRİ (ÇİFT EKSENLİ) SOL (OP)
LEVELLING BLADE CYLINDER (DOUBLE AXIS) LH (OP)



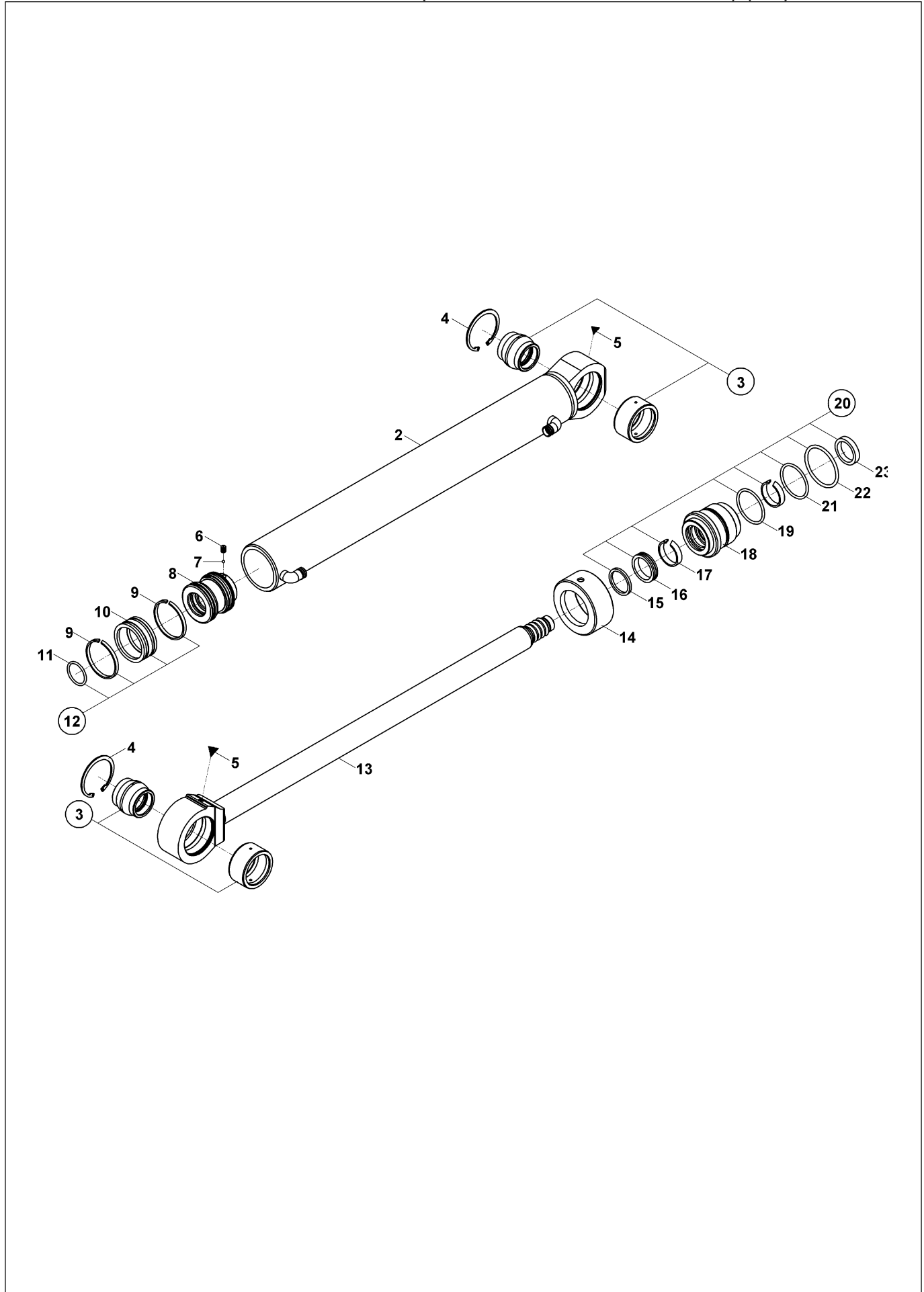
TESVİYE KÜREĞİ SİLİNDİRİ (ÇİFT EKSENLİ) MERKEZ (OP)
LEVELLING BLADE CYLINDER (DOUBLE AXIS) CENTER (OP)



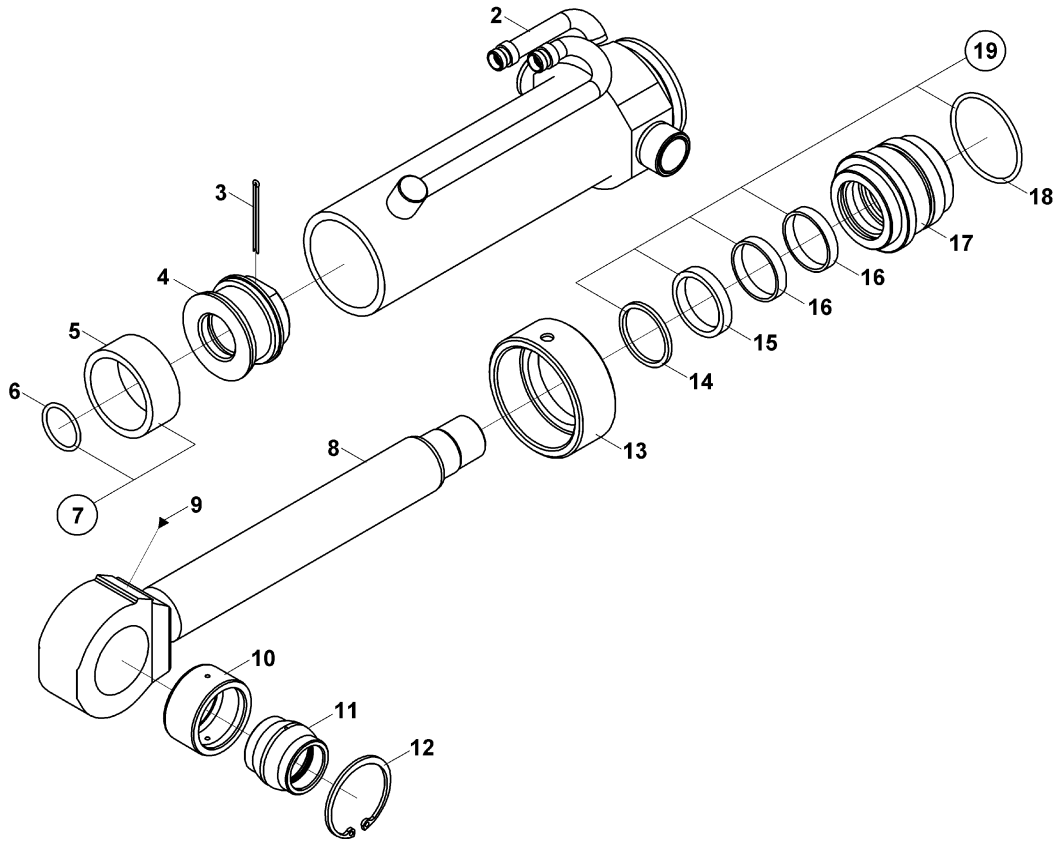
TOMRUK YÜKLEYİCİ SİLİNDİRİ (OP) LOG GRAPPLE CYLINDER (OP)



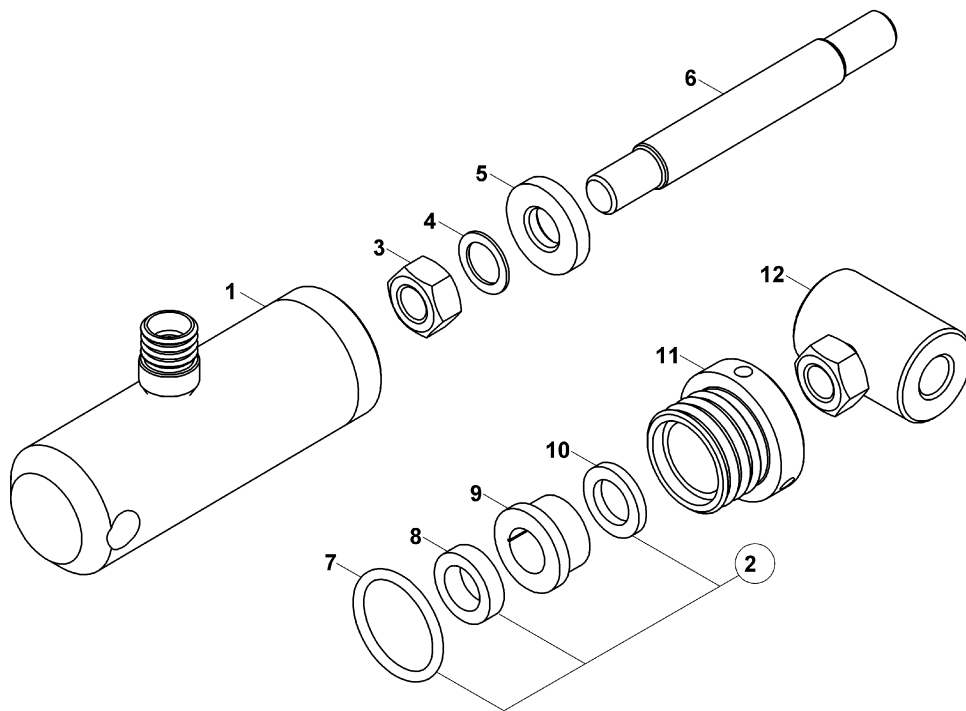
TOMRUK YÜKLEYİCİ SİLİNDİRİ (HAREKETLİ) (OP)
LOG GRAPPLE CYLINDER (WITH VERTICAL MOVEMENT) (OP)



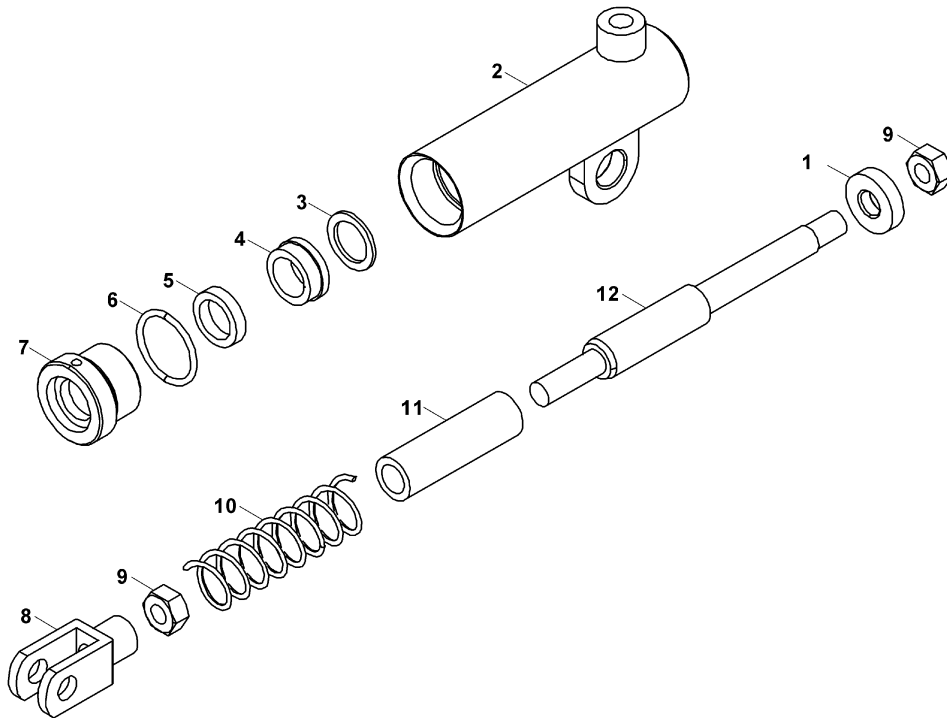
DÖNERLİ KANAL KEPÇESİ SİLİNDİRİ (OP)
TILTING BUCKET CYLINDER (OP)



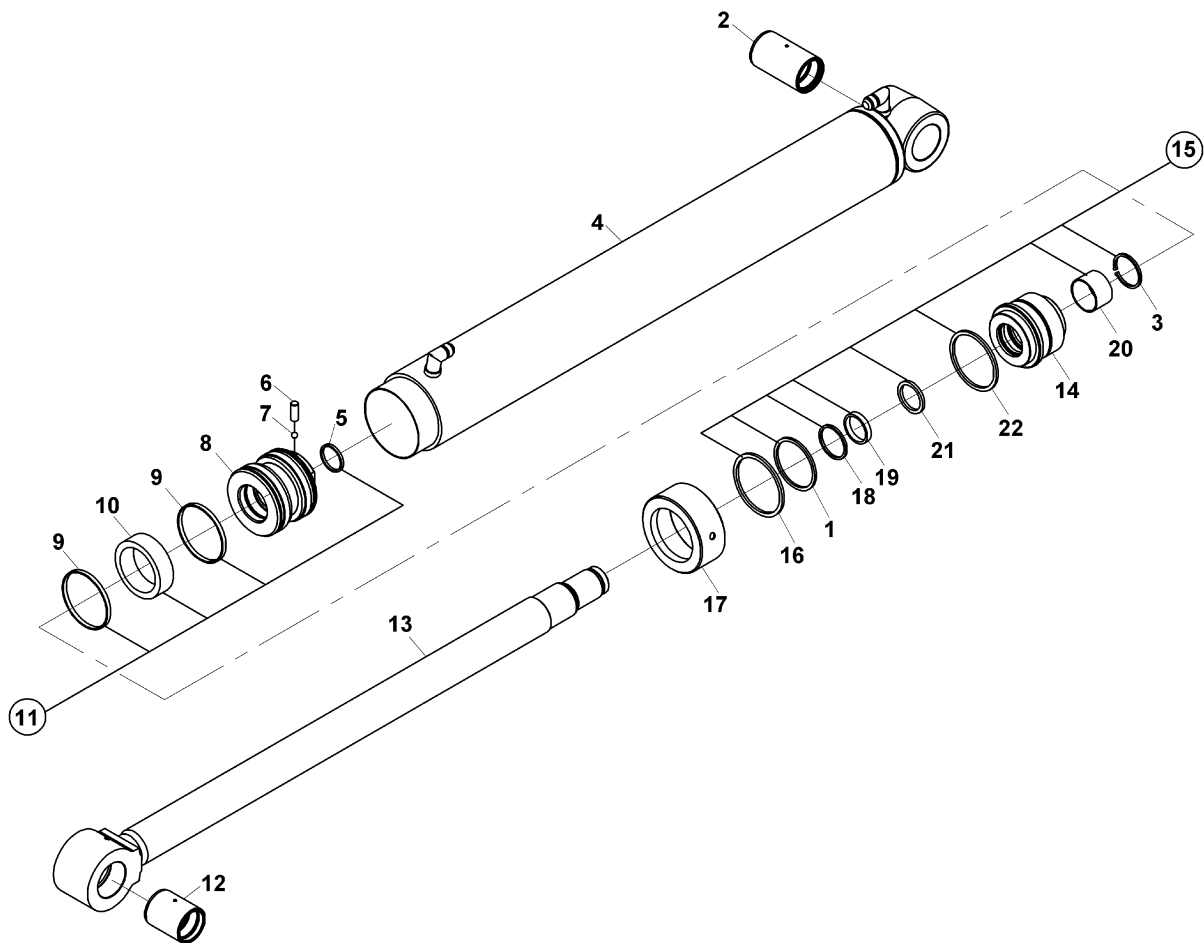
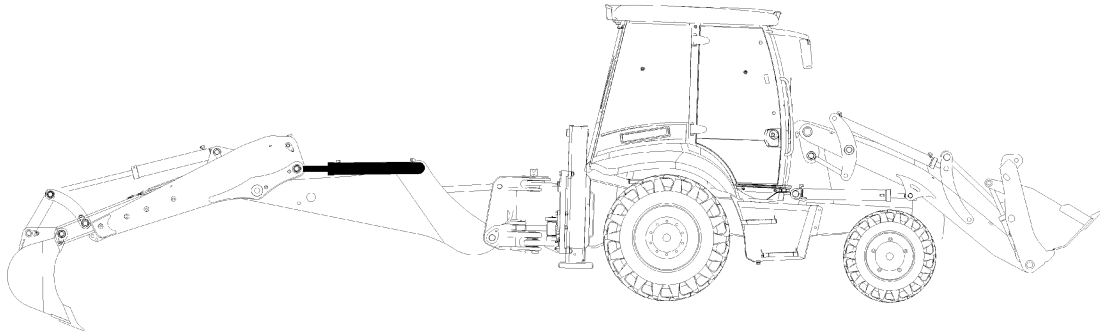
BOM KİLİT SİLİNDİRİ (MUZ BOM) (OP)
BOOM LOCKING CYLINDER (3-AXIS BOOM) (OP)



BOM KİLİT SİLİNDİRİ (MAFSALLI BOM)
BOOM LOCKING CYLINDER (KNUCKLE BOOM)



ARM SİLİNDİRİ, KAZICI ARM CYLINDER, BACKHOE



ARM SİLİNDİRİ, KAZICI ARM CYLINDER, BACKHOE

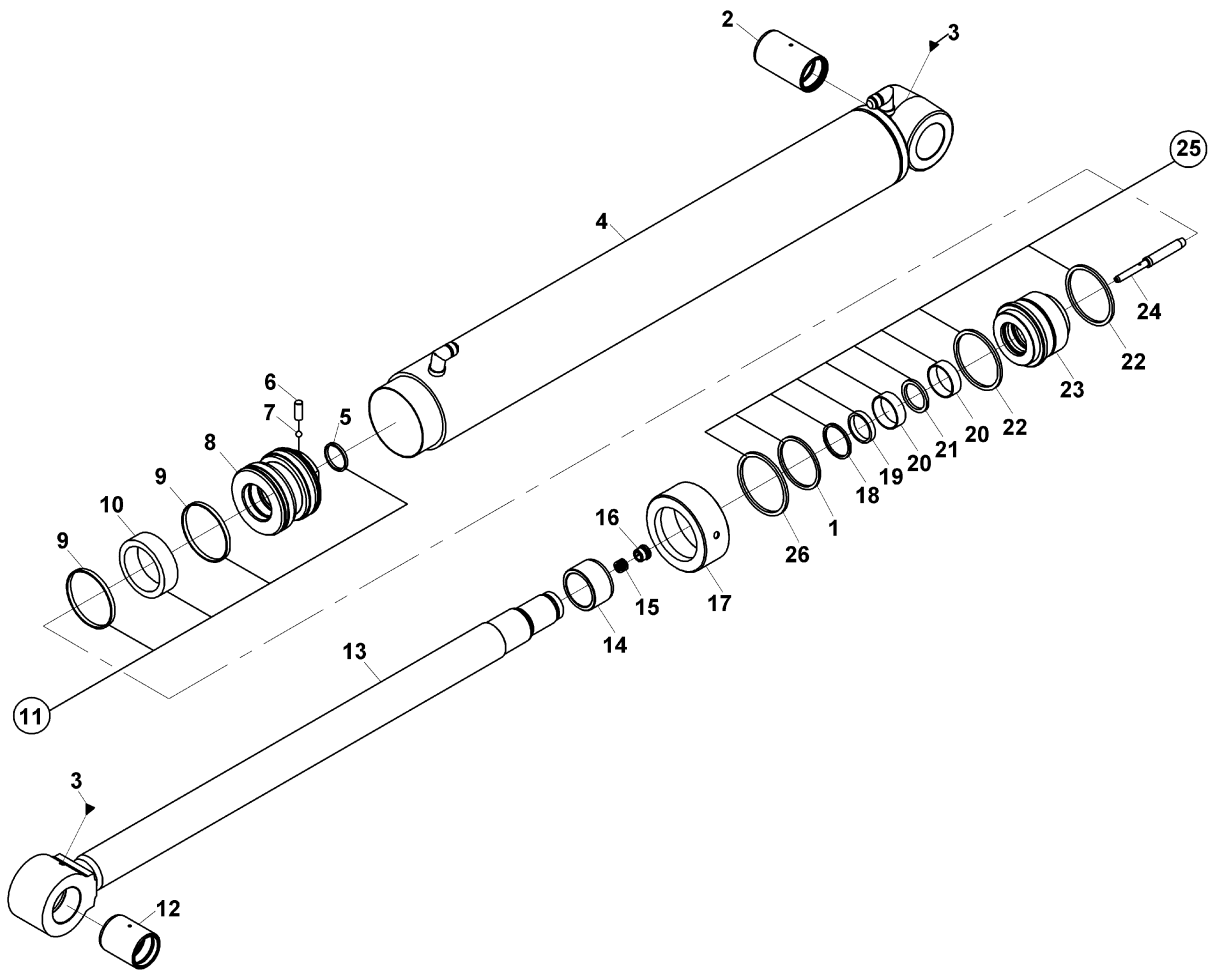
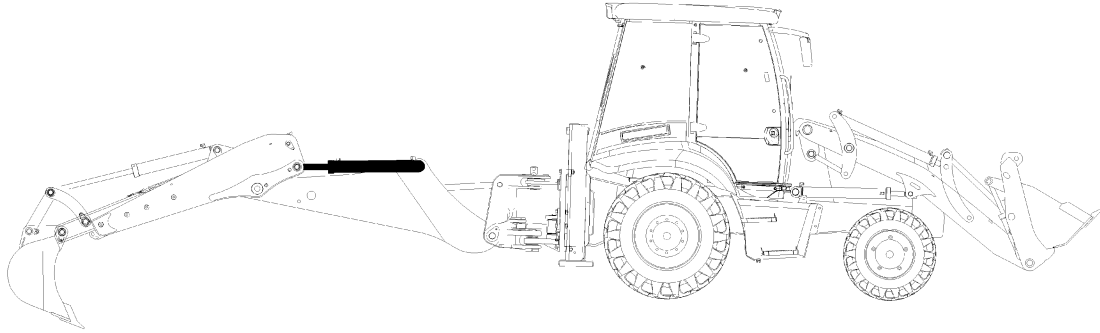


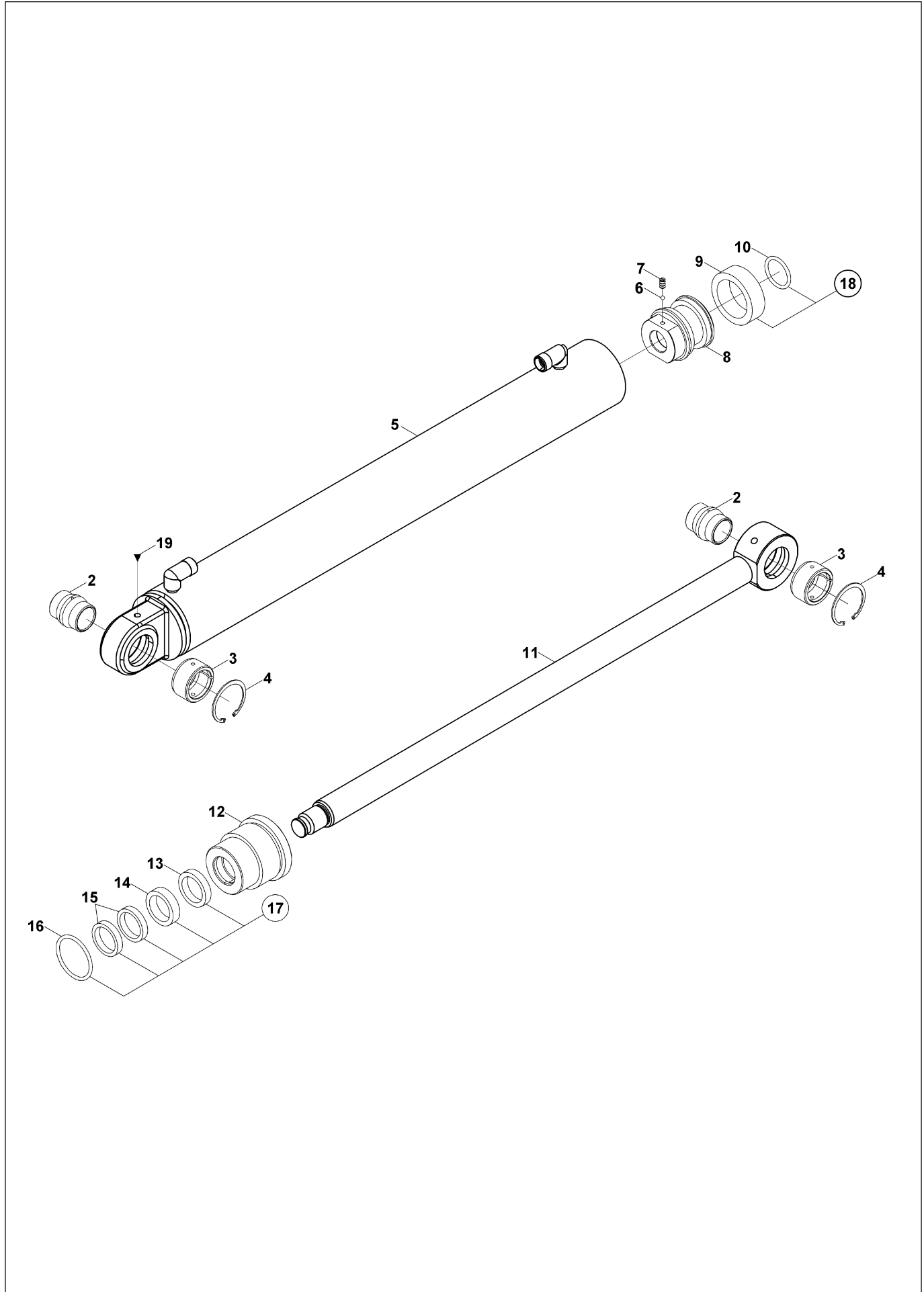
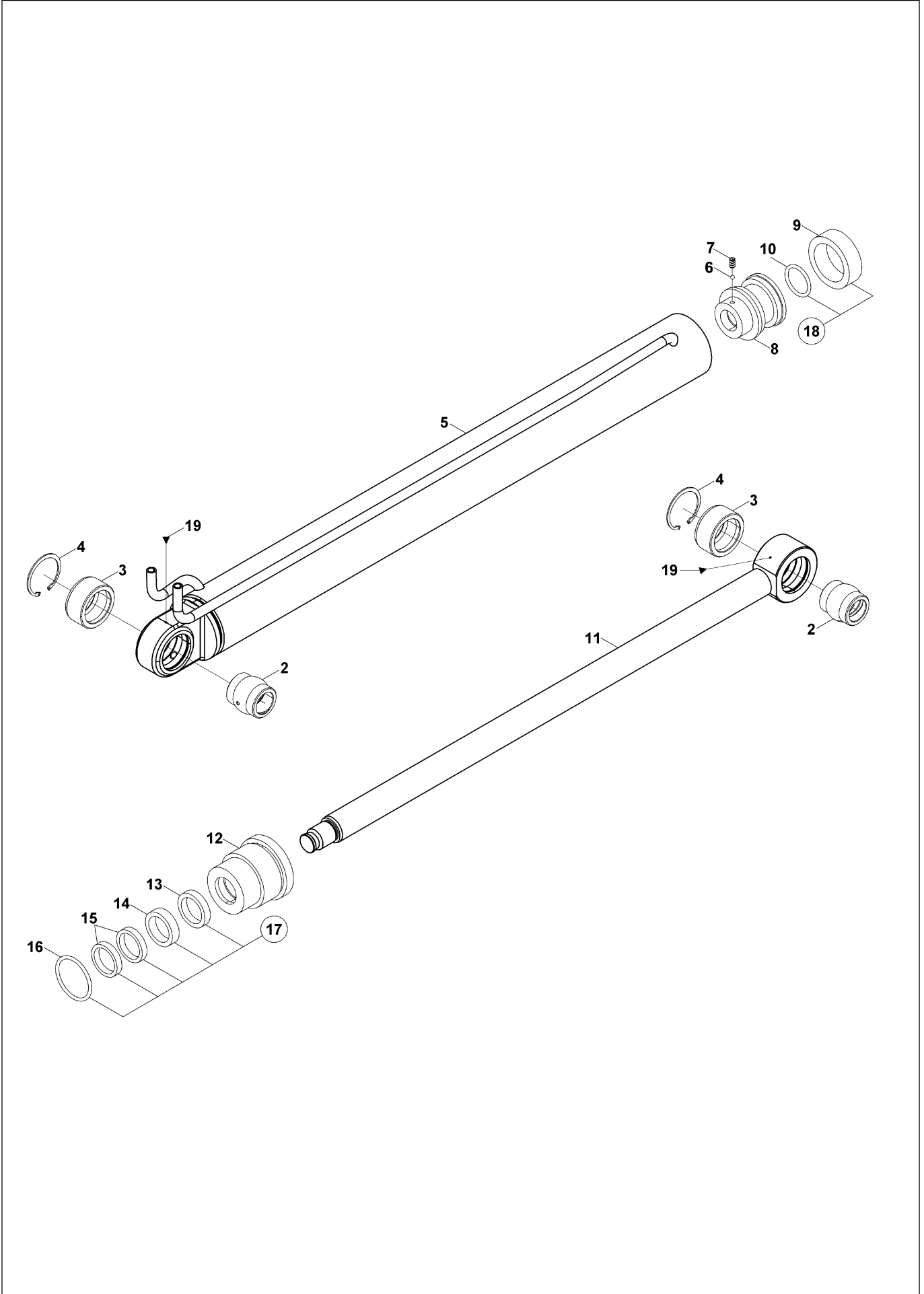
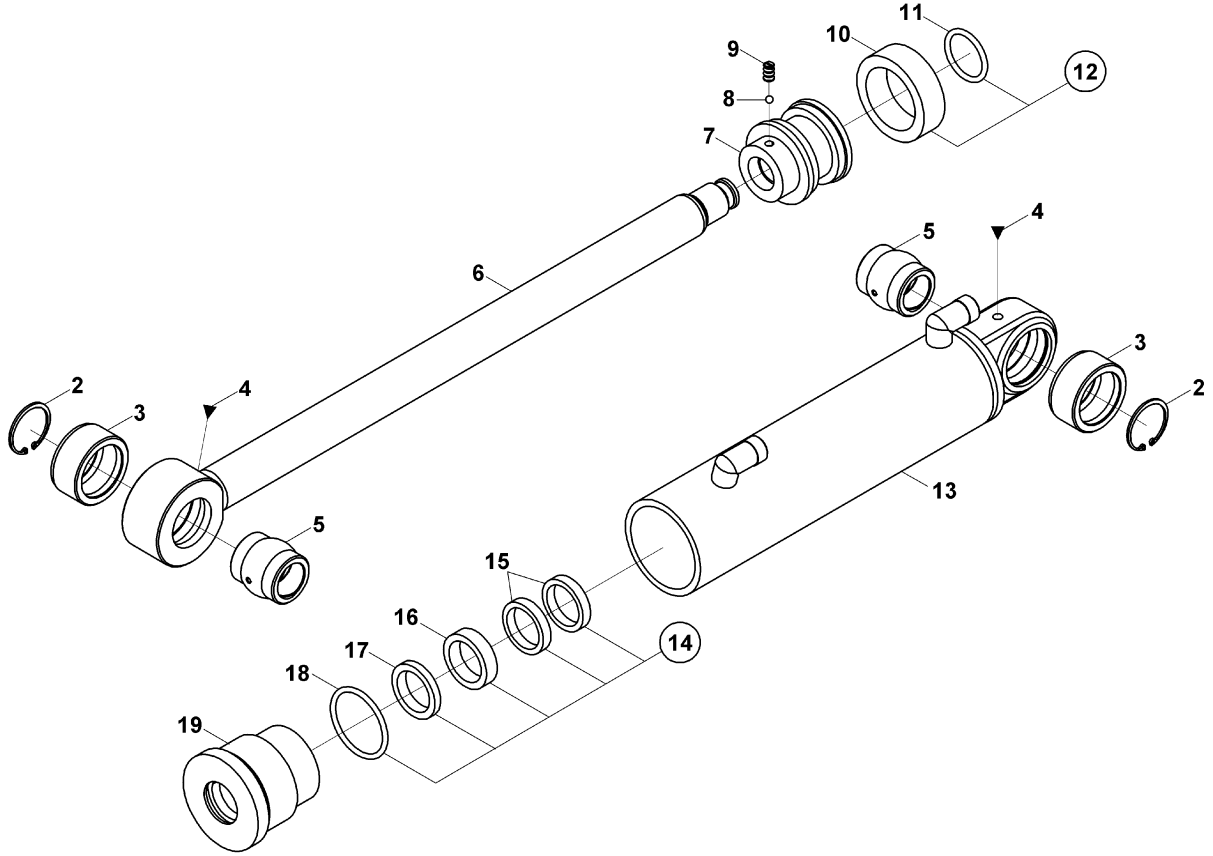
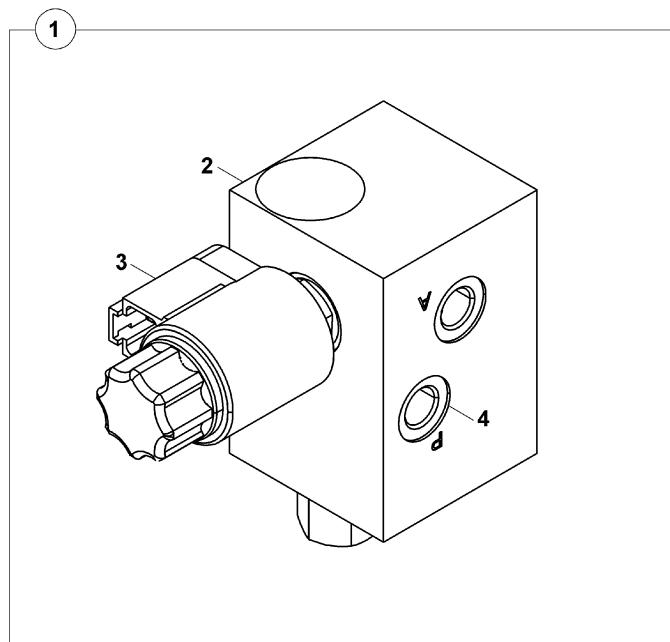
TABLA KAYDIRMA SİLİNDİRİ, DIŞ
POWER SLIDER CYLINDER, OUTER

TABLA KAYDIRMA SİLİNDİRİ, İÇ
POWER SLIDER CYLINDER, INNER

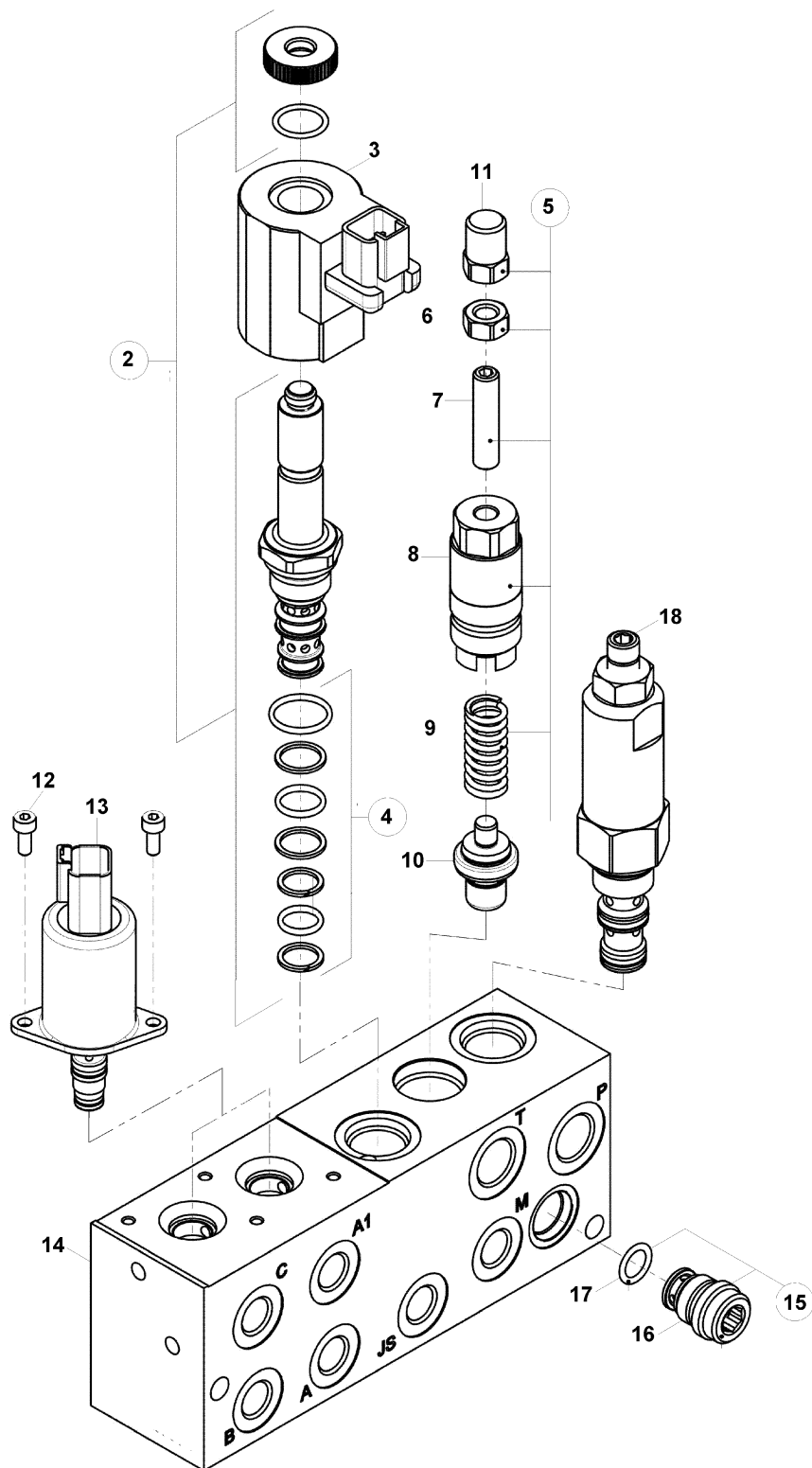
ÇEKİCİ KANCA SİLİNDİRİ (OP)
TOW HOOK CYLINDER (OP)



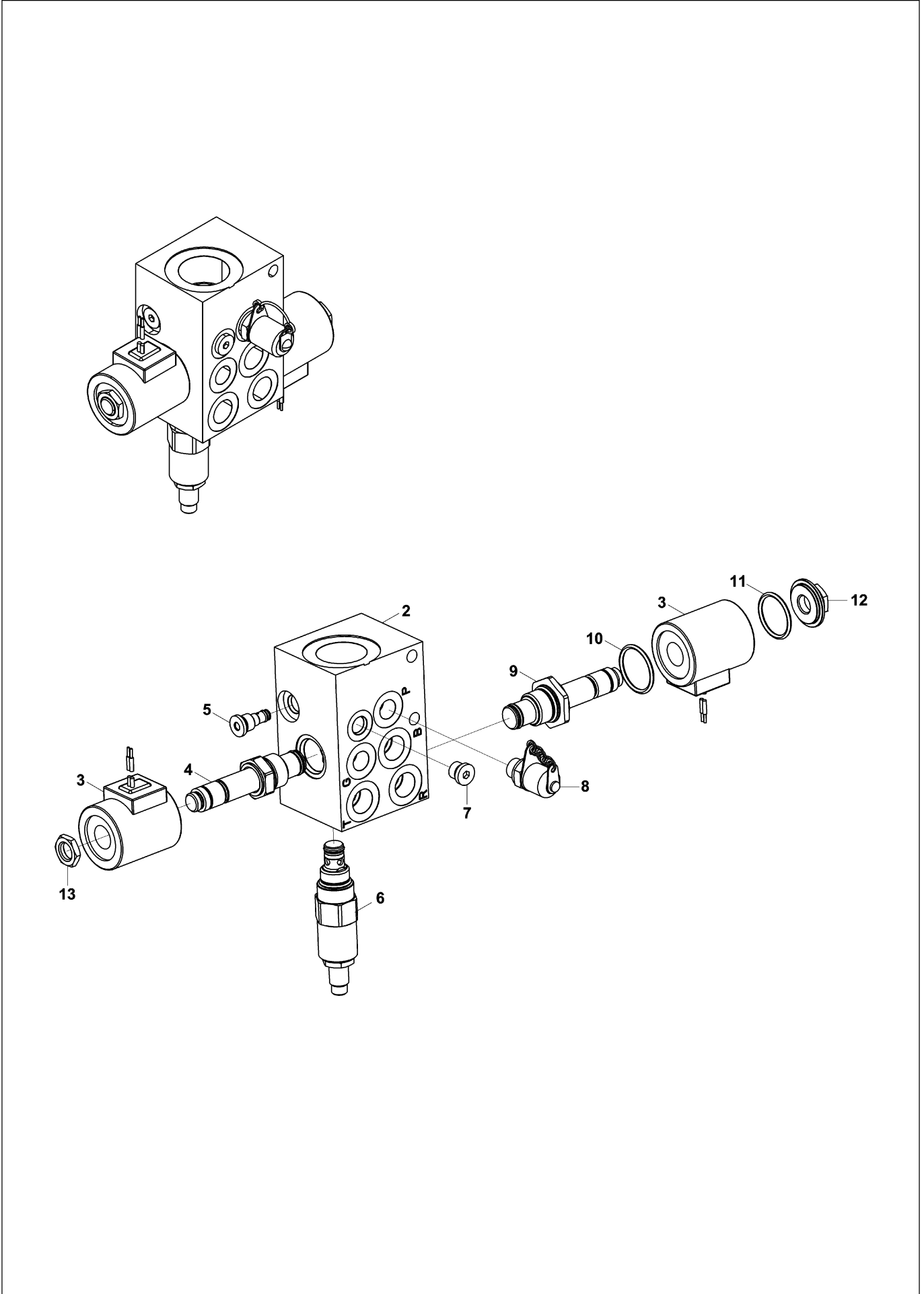
PILOT BESLEME BLOĀU
PILOT SUPPLY BLOCK



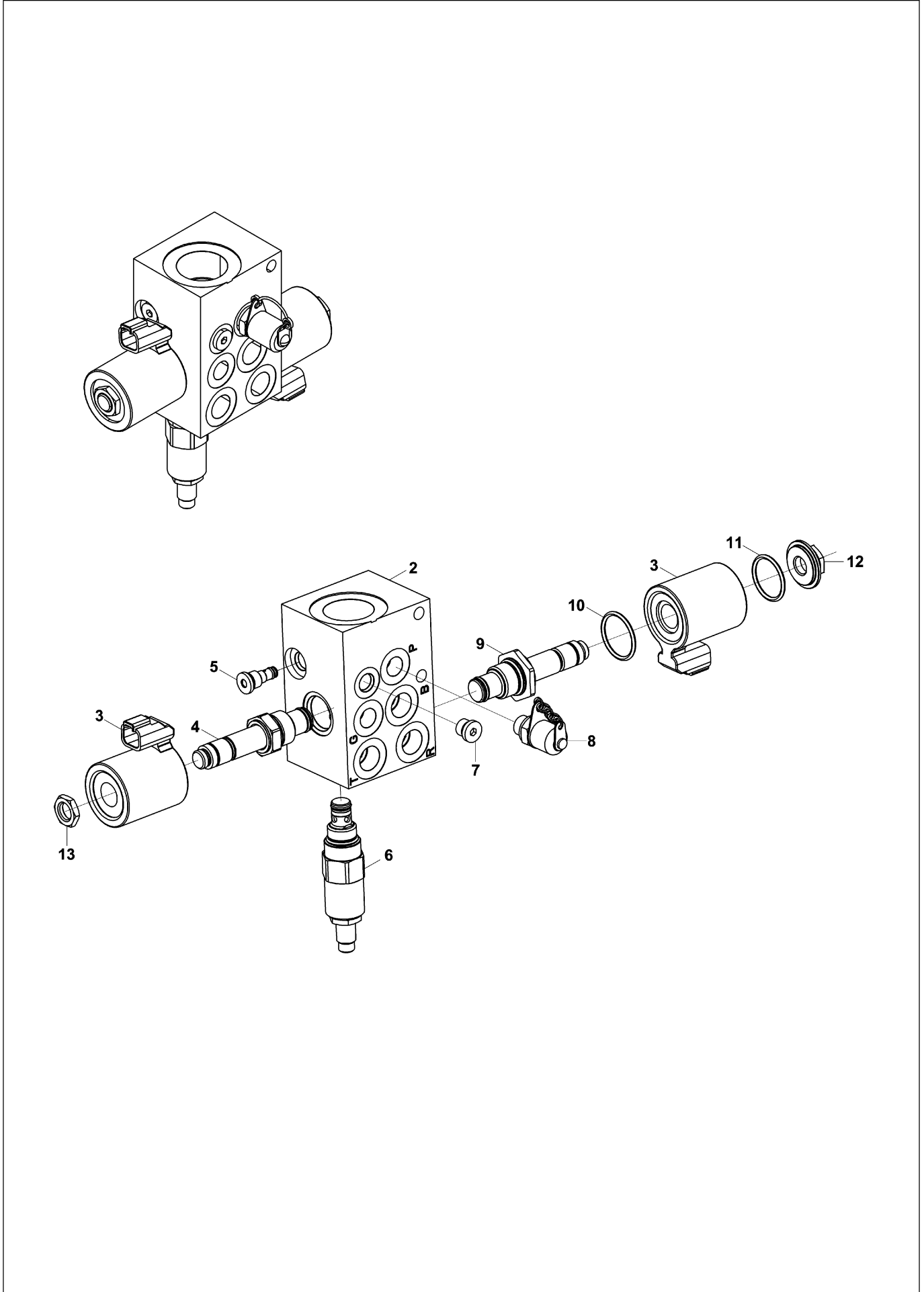
PİLOT BESLEME BLOĞU (ORANSAL VALFLİ)
PILOT SUPPLY BLOCK (WITH PROPORTIONAL VALVE)

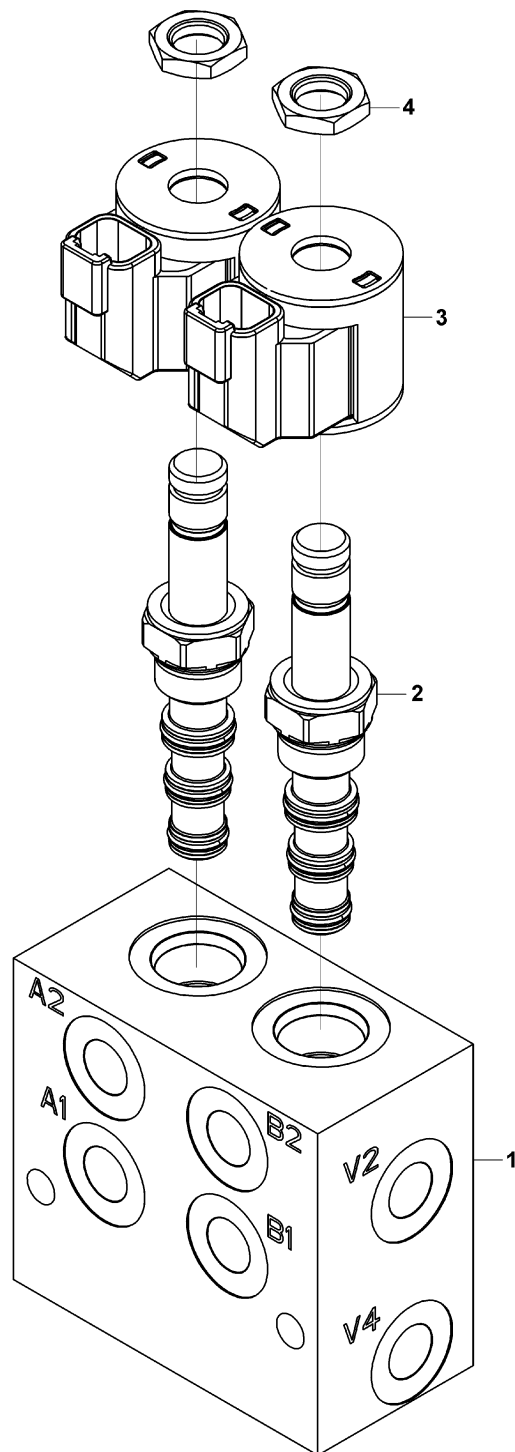


SARSINTISIZ YÜRÜYÜŞ VALFİ, MSS MSS, VALVE

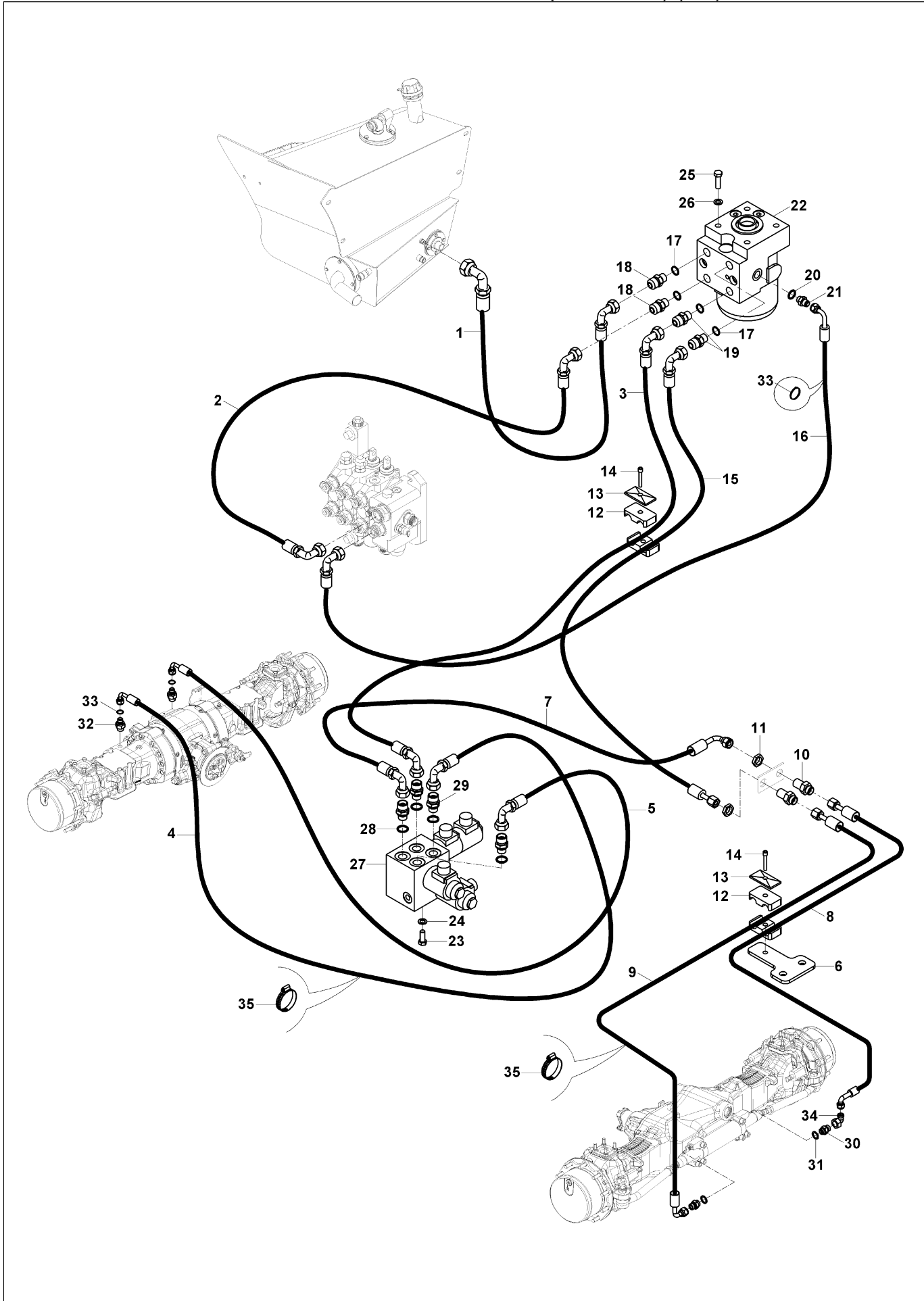


SARSINTISIZ YÜRÜYÜŞ VALFİ, MSS MSS, VALVE

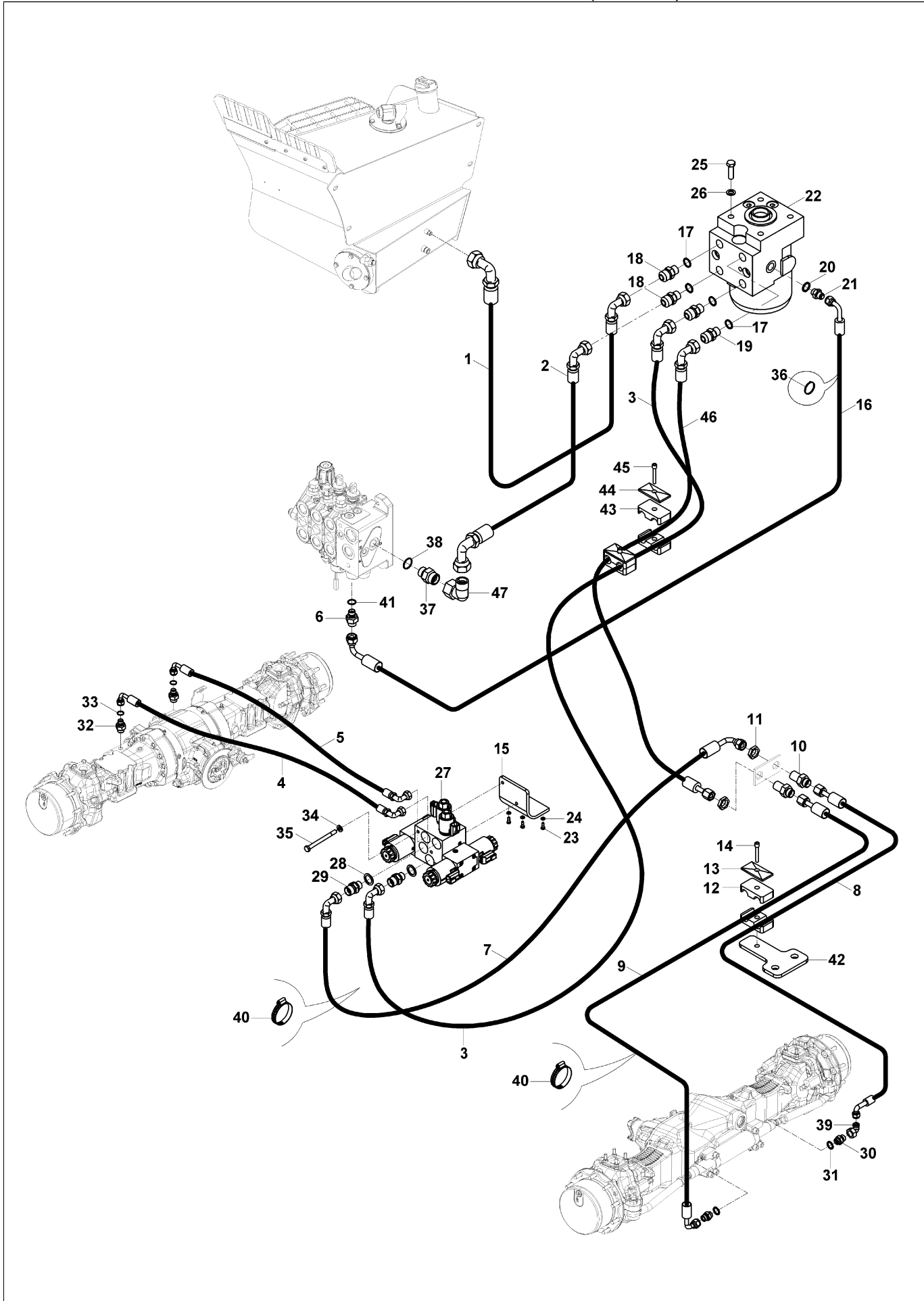


**VALF, KUMANDA DEĞİŞTİRİCİ
VALVE, PATTERN SHIFTER**

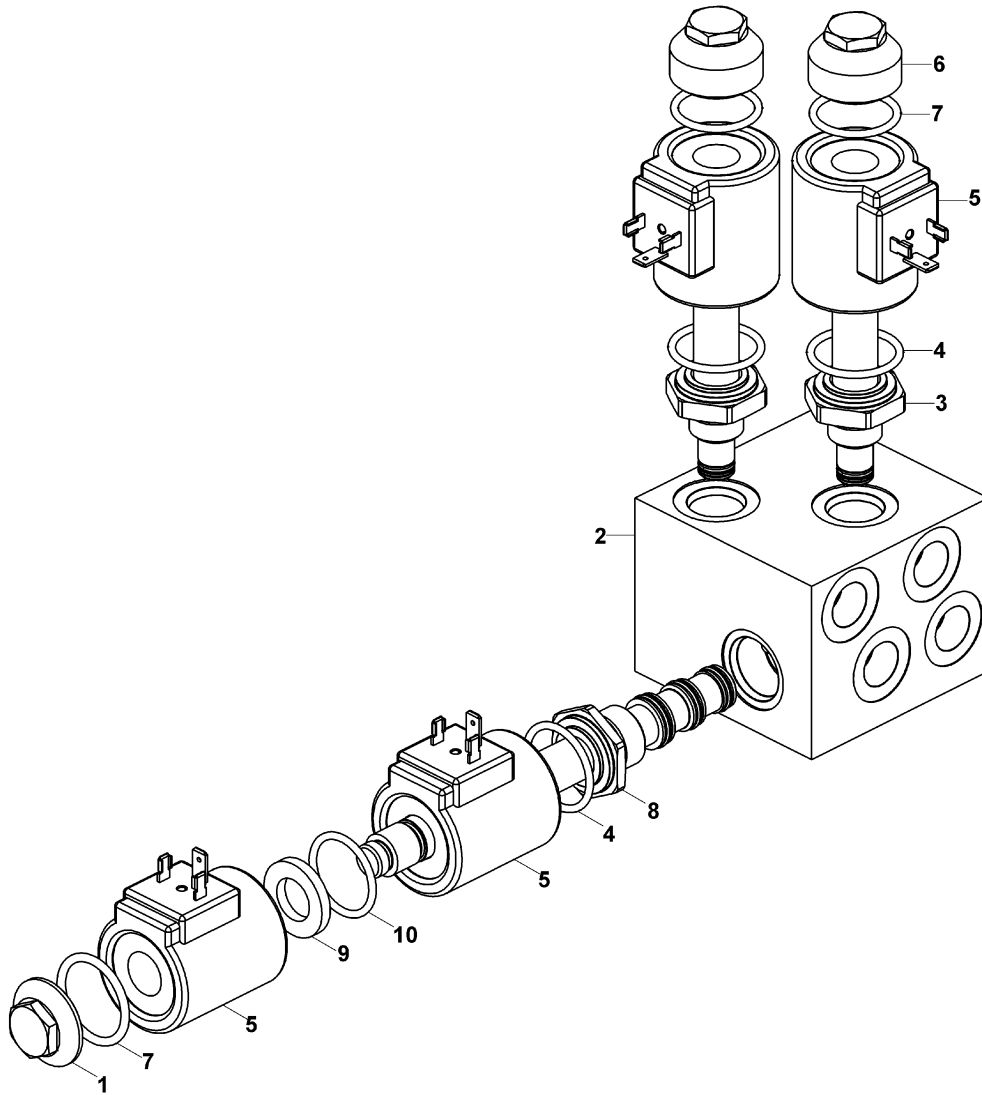
HİDROLİK TESİSAT, DİREKSİYON (REXROTH) (OP)
HYDRAULIC PIPING, STEERING (REXROTH) (OP)



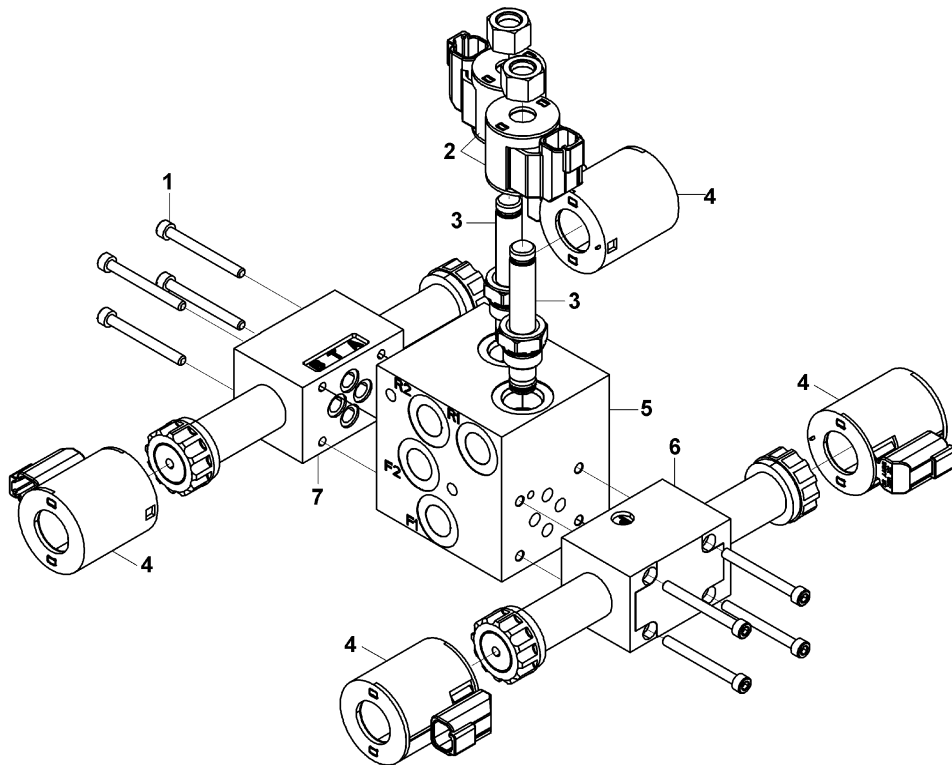
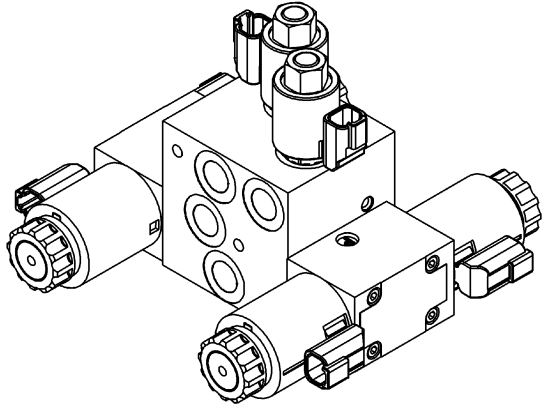
HİDROLİK TESİSAT, DİREKSİYON (TİP B) HYDRAULIC PIPING, STEERING (TYPE B)



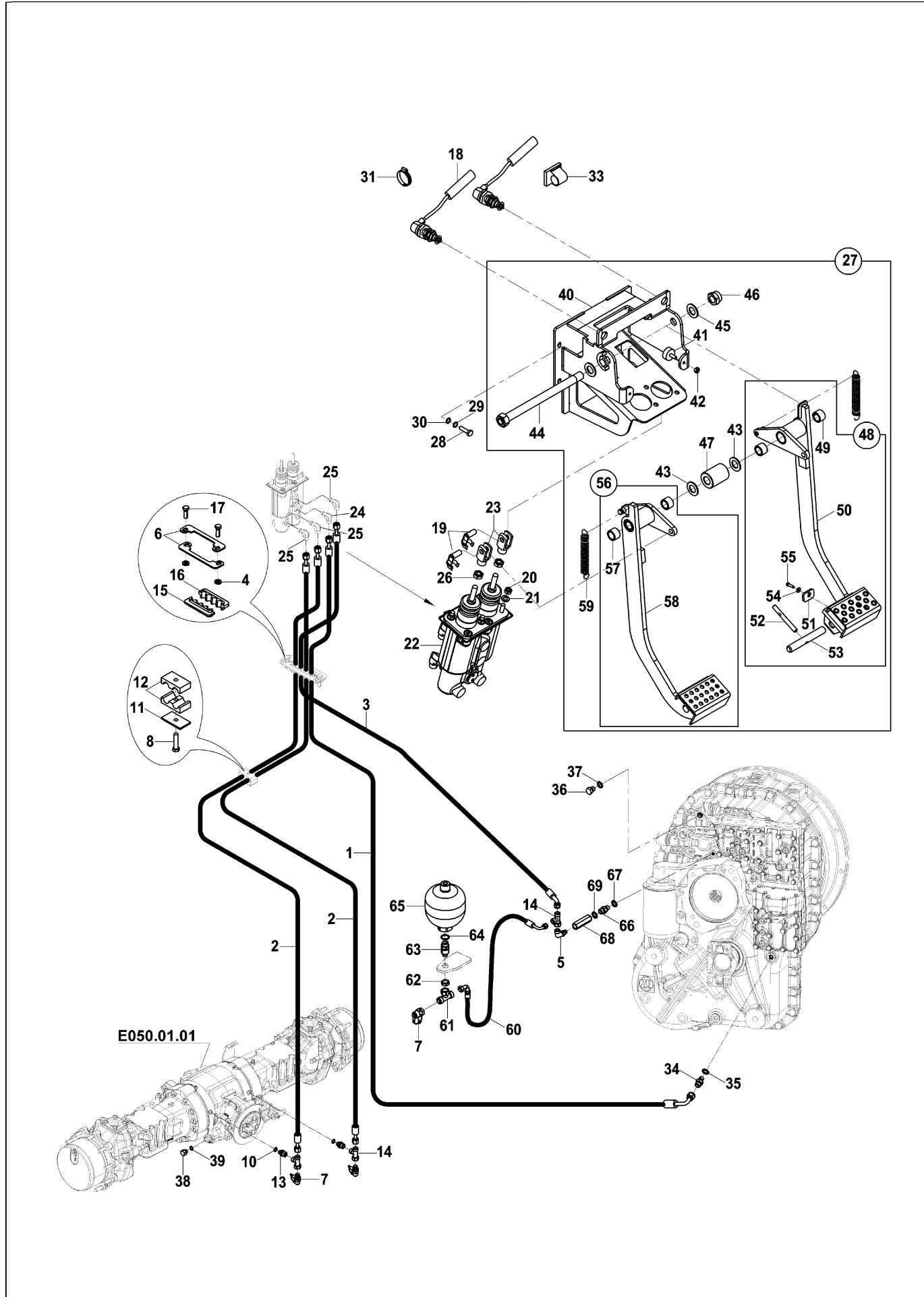
KOMBINASYON VALFİ COMBINATION VALVE



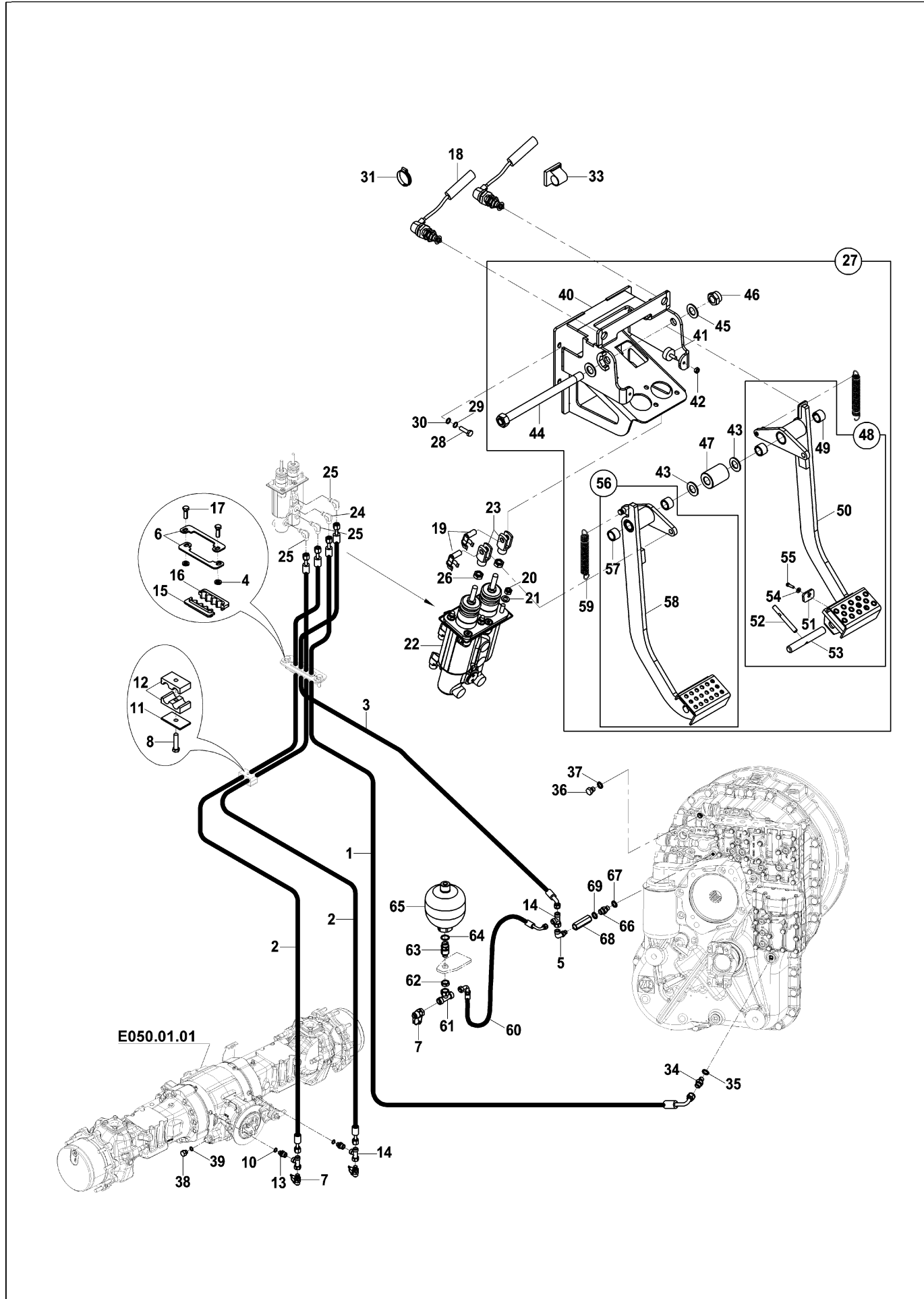
KOMBINASYON VALFİ COMBINATION VALVE



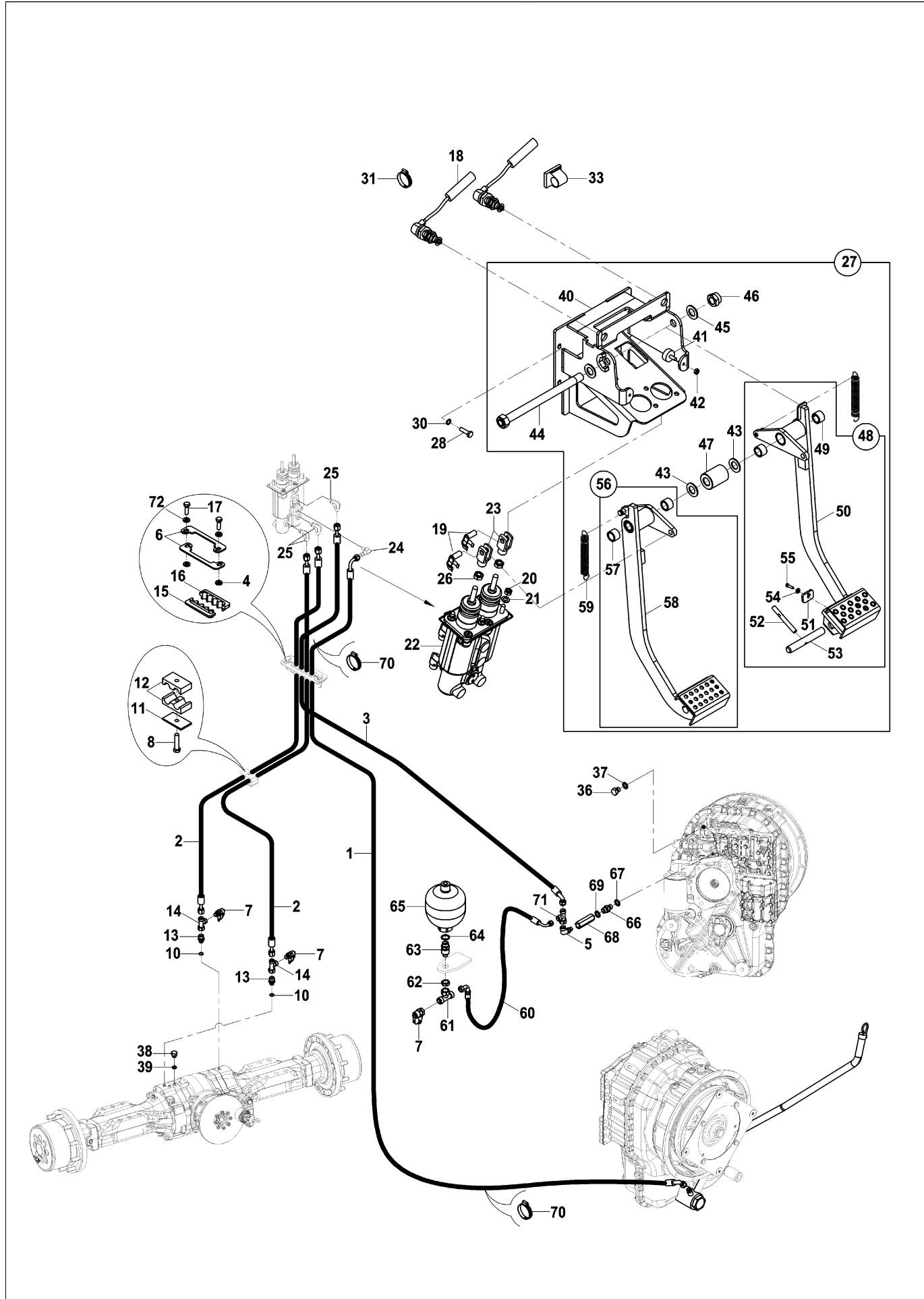
HİDROLİK TESİSAT, FREN HYDRAULIC PIPING, BRAKE



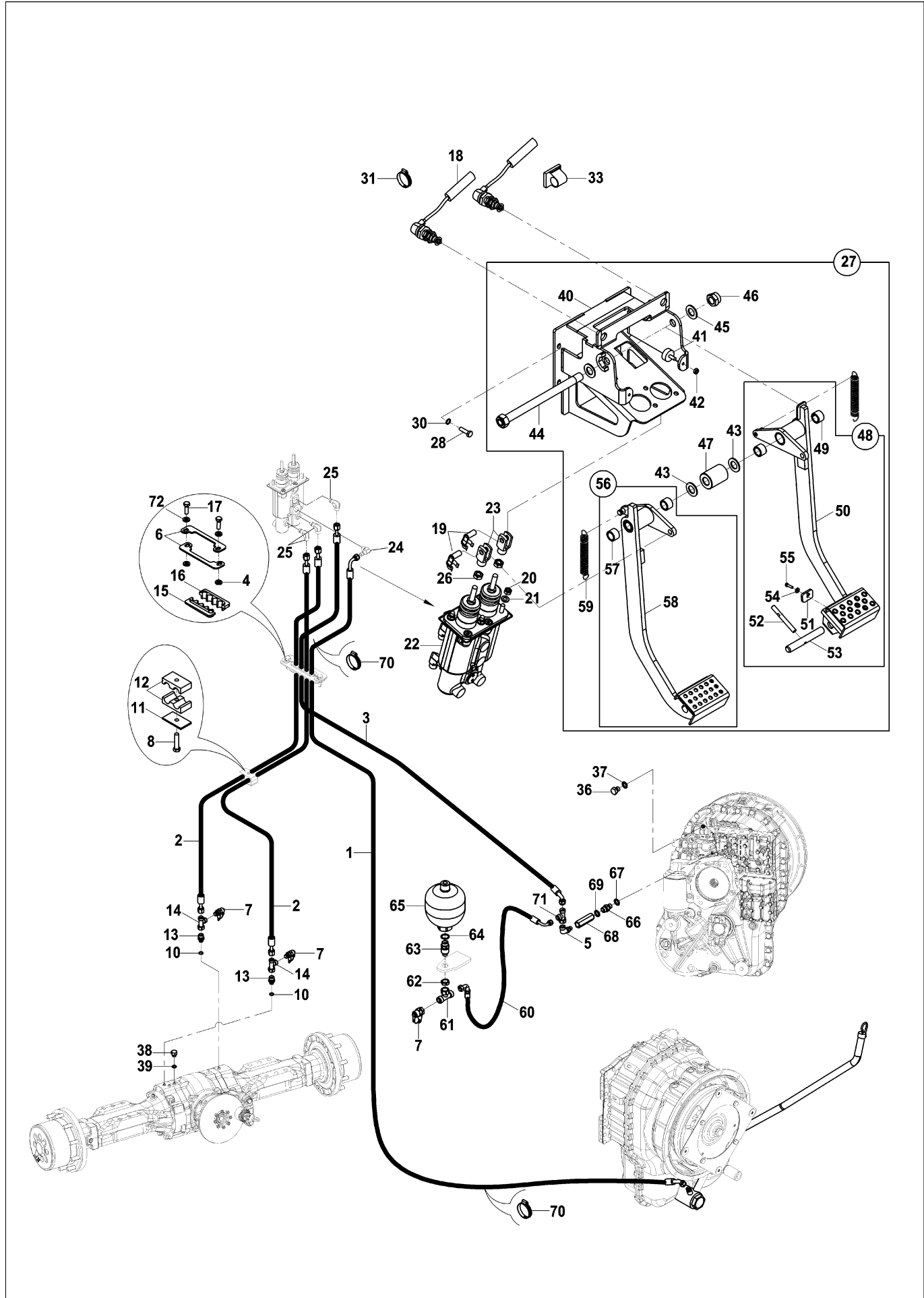
HİDROLİK TESİSAT, FREN HYDRAULIC PIPING, BRAKE



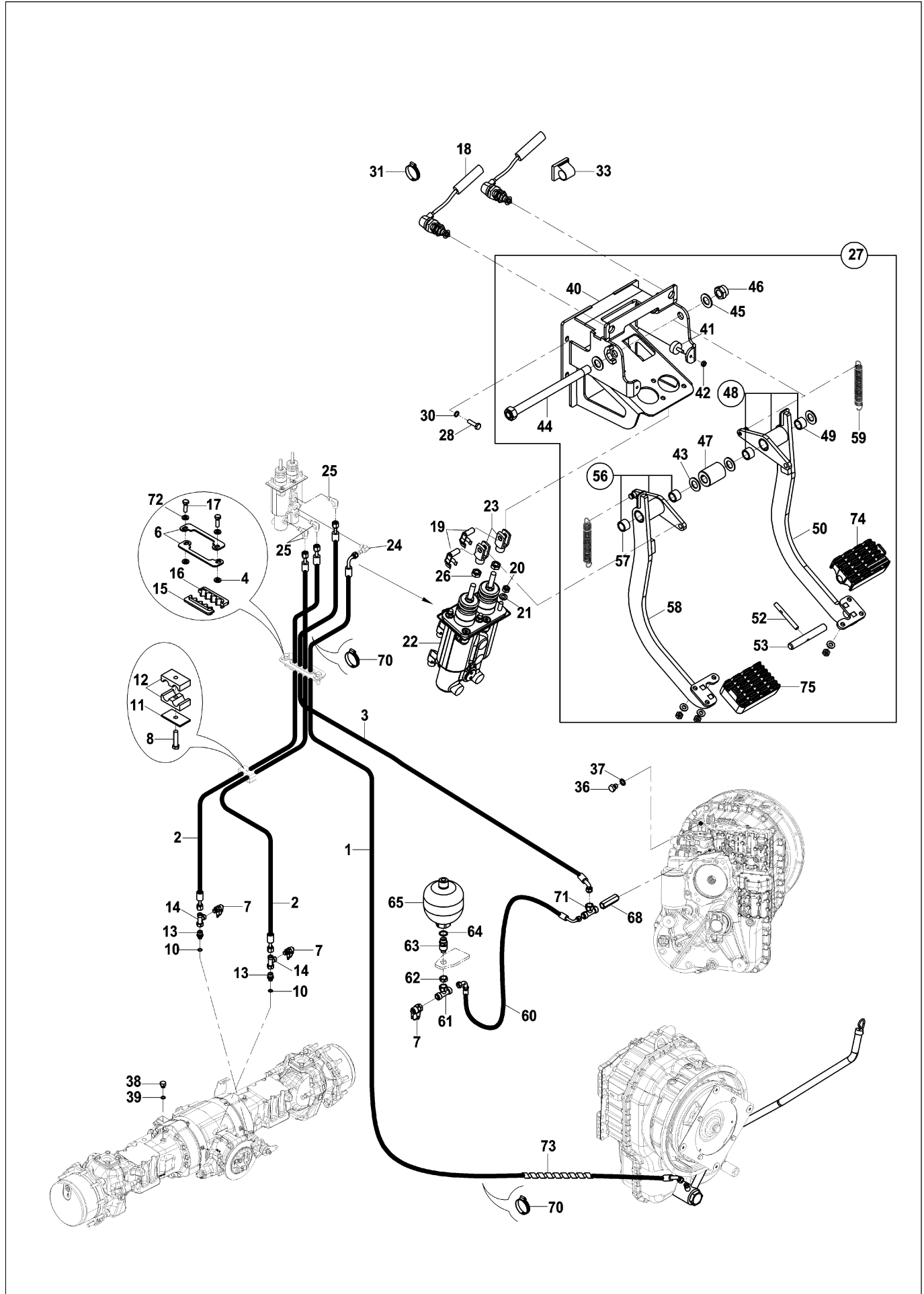
HİDROLİK TESİSAT, FREN
HYDRAULIC PIPING, BRAKE



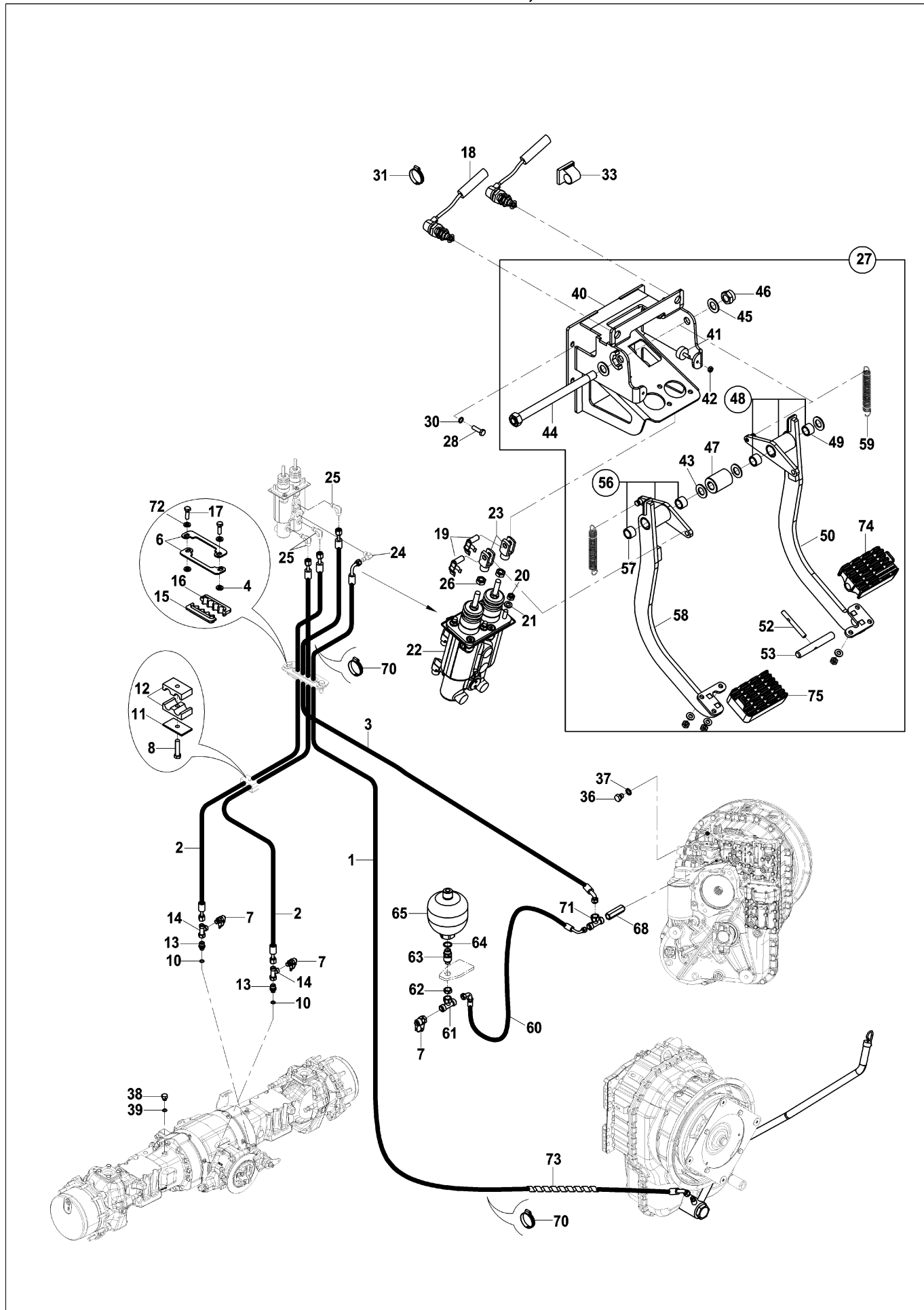
HİDROLİK TESİSAT, FREN
HYDRAULIC PIPING, BRAKE



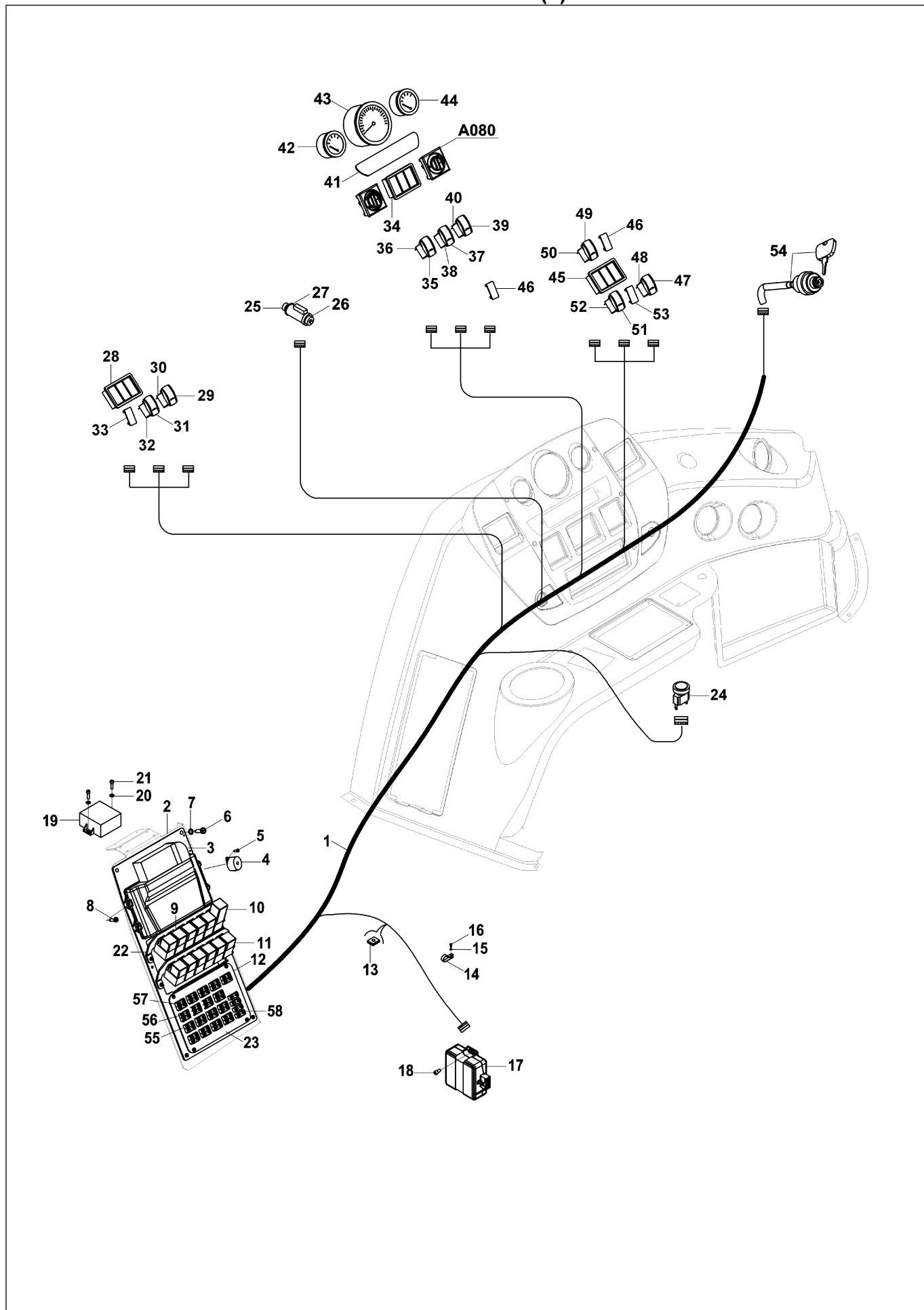
HİDROLİK TESİSAT, FREN
HYDRAULIC PIPING, BRAKE



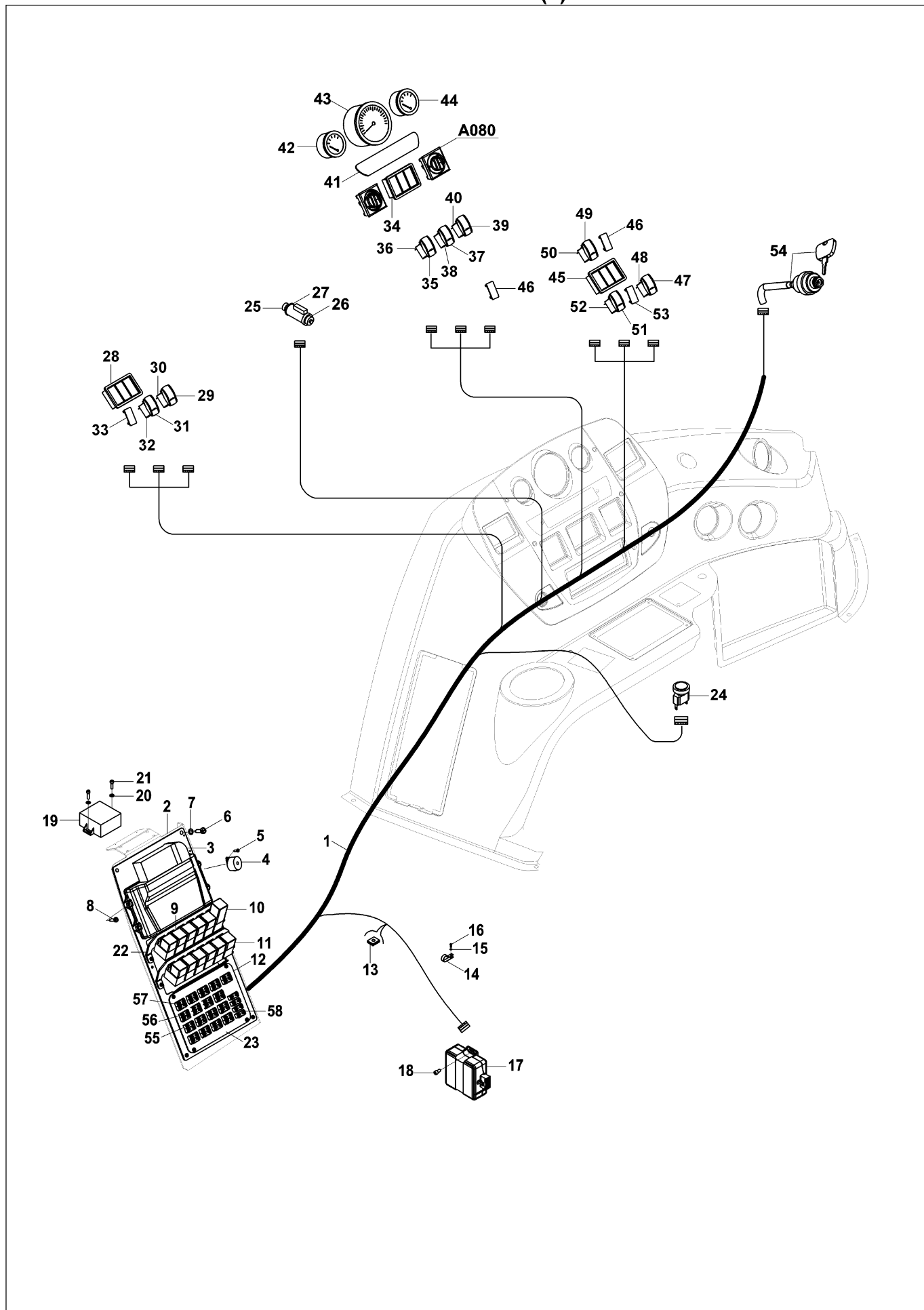
HİDROLİK TESİSAT, FREN
HYDRAULIC PIPING, BRAKE



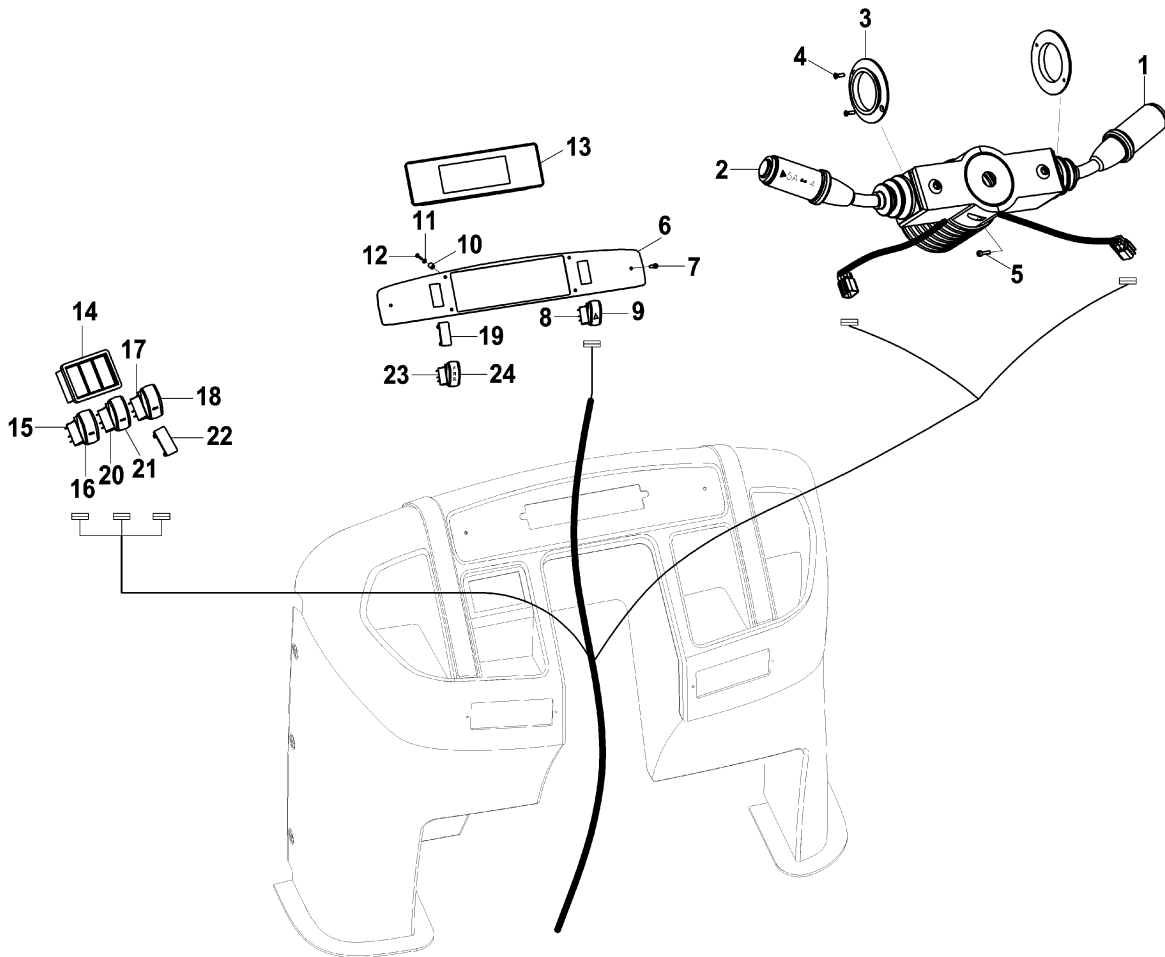
KABİN ELEKTRİĞİ (1)
 CAB ELECTRIC (1)

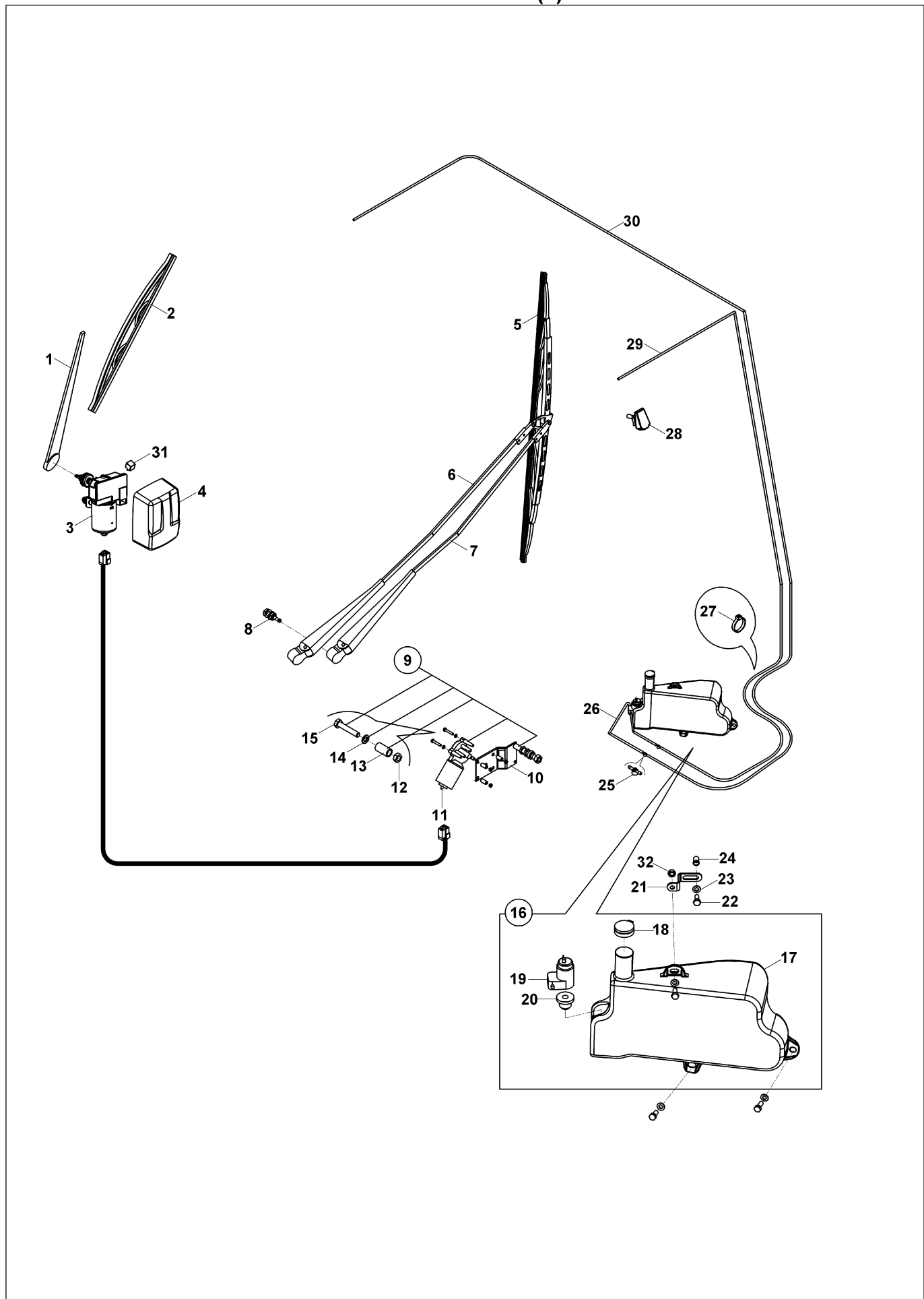


KABİN ELEKTRİĞİ (1)
 CAB ELECTRIC (1)

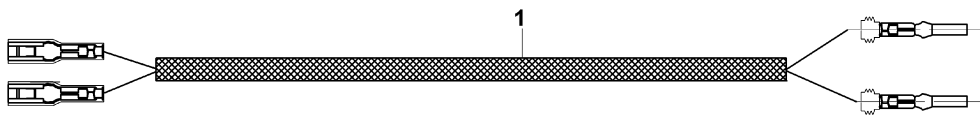


KABIN ELEKTRIĞI (2)
CAB ELECTRIC (2)

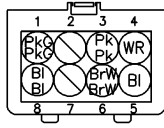


KABİN ELEKTRİĞİ (3)
CAB ELECTRIC (3)

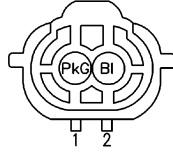
KABIN ELEKTRIĀI (4)
CAB ELECTRIC (4)



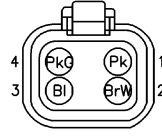
KABİN ELEKTRİĞİ (5) CAB ELECTRIC (5)



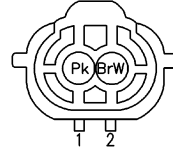
CN1
(2,3,4,5,6)



CN2
(7,8,9,10)



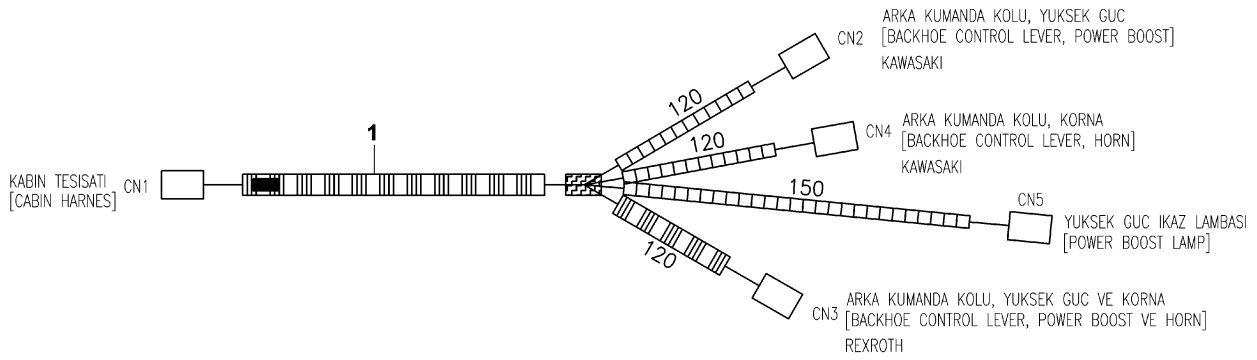
CN3
(11,12,13)

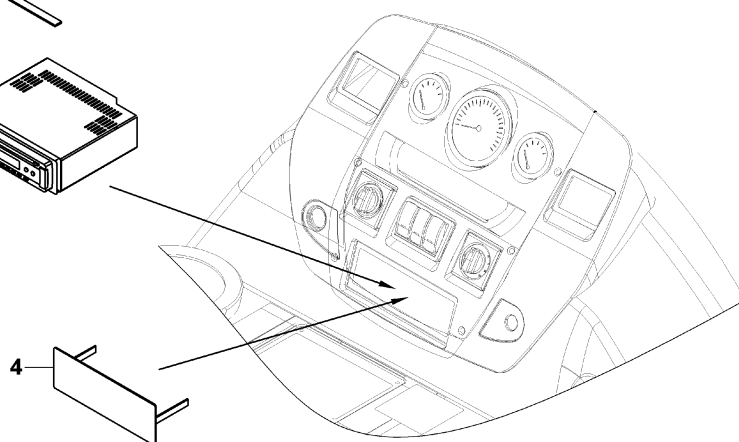
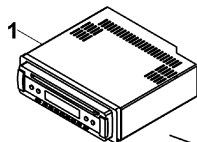
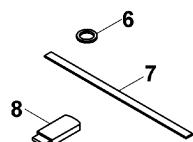
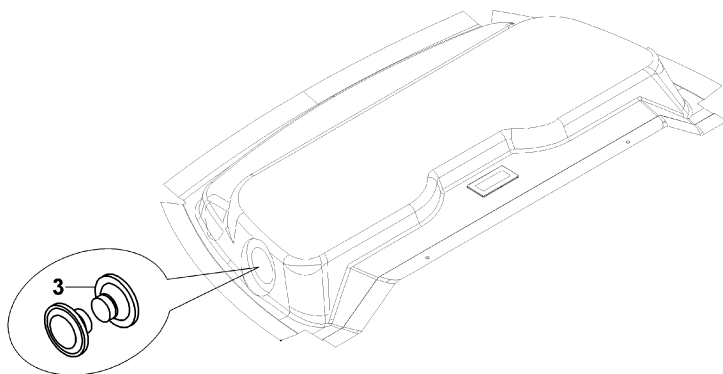
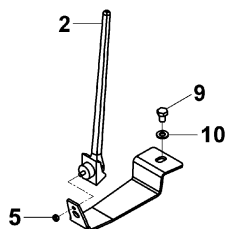


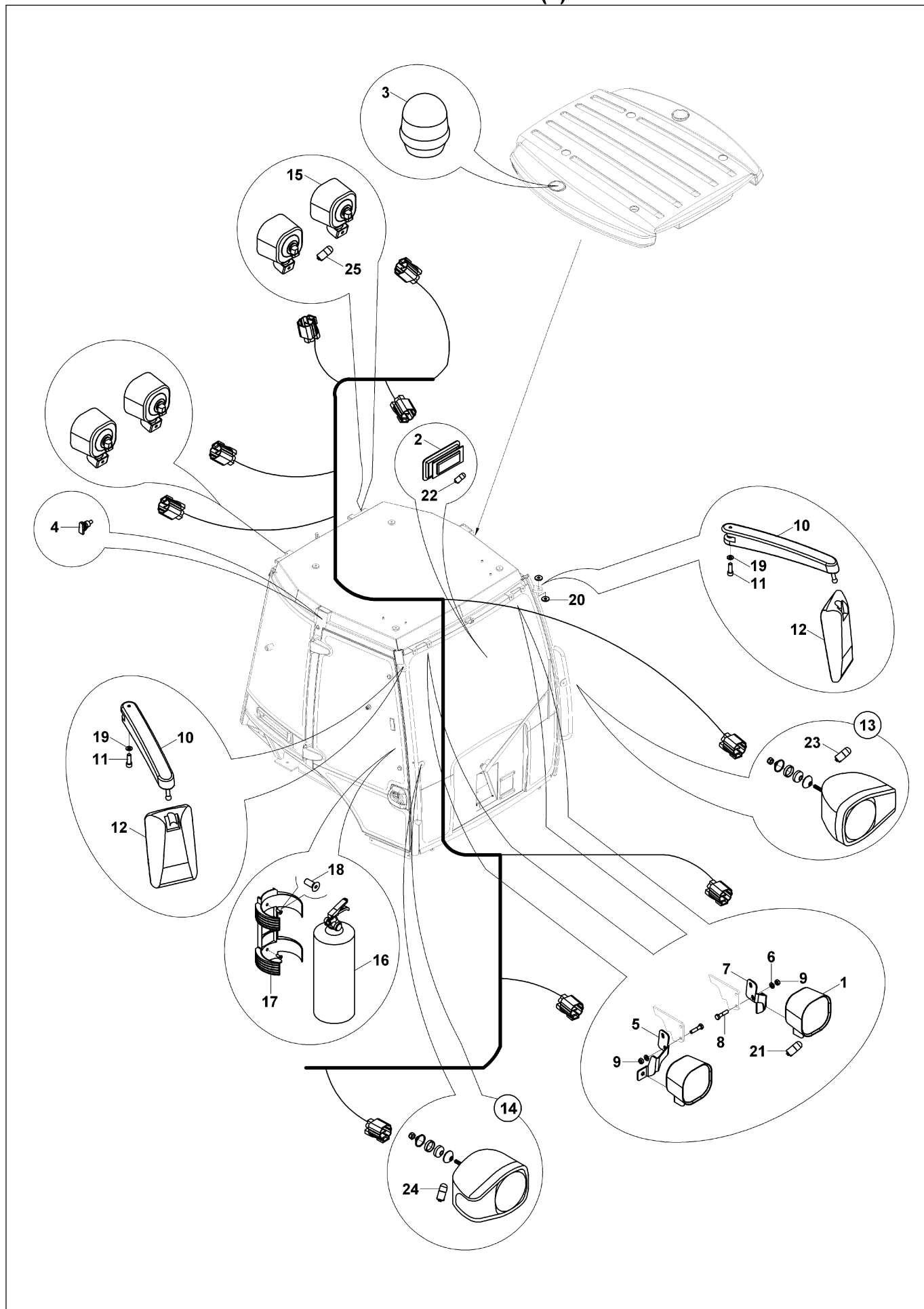
CN4
(7,8,9,10)



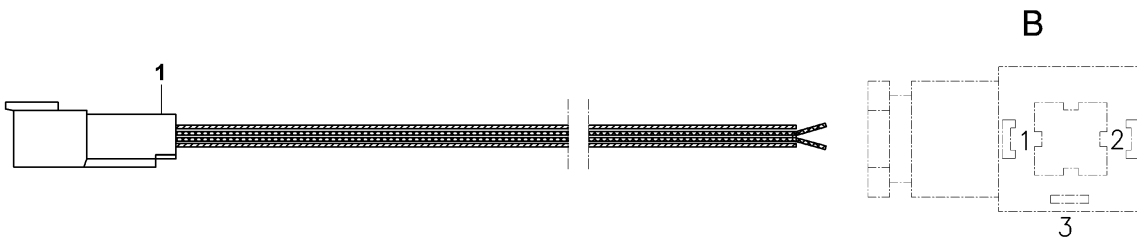
CN5
(14,15)



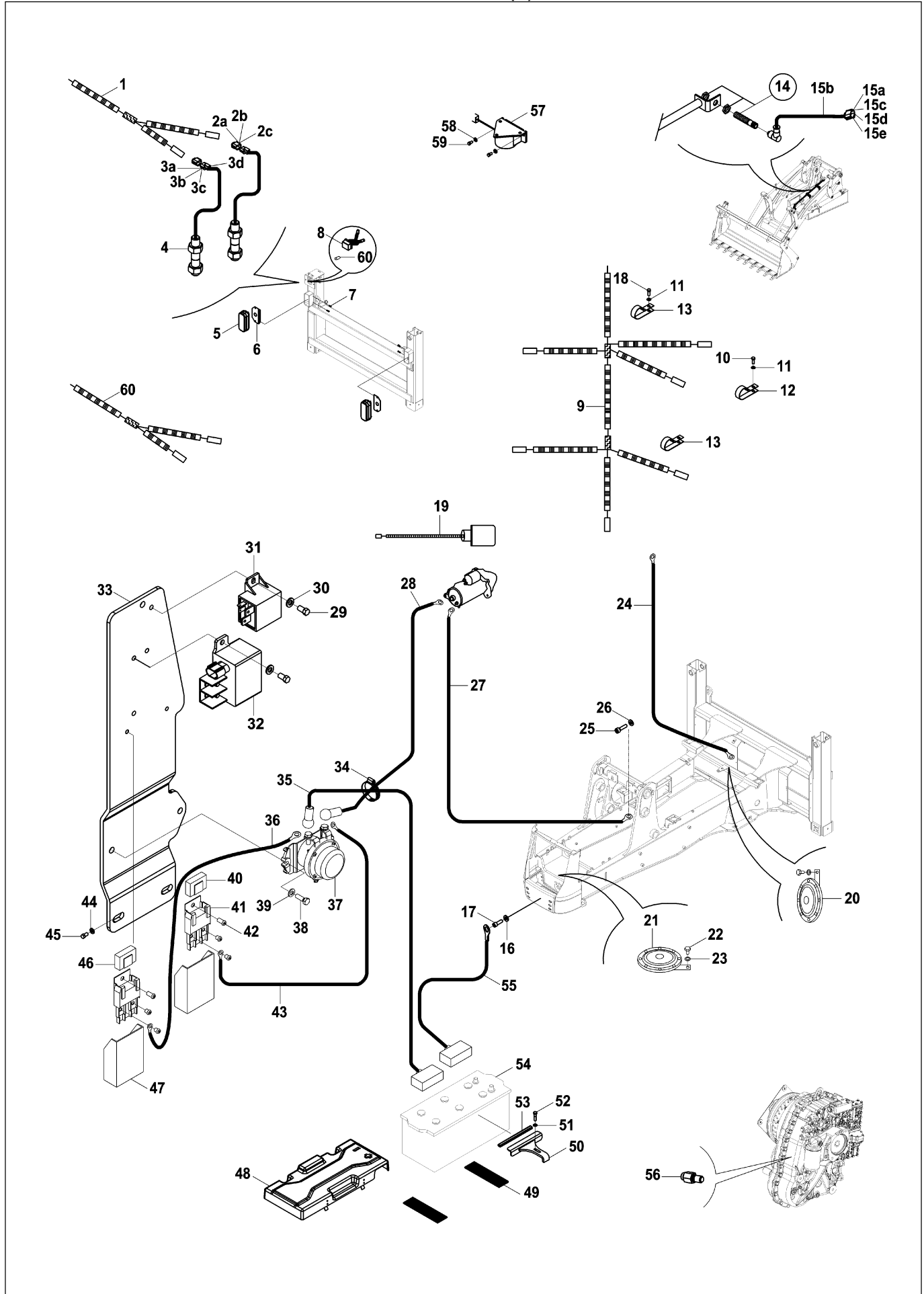
KABIN ELEKTRIĀI (6)
CAB ELECTRIC (6)

KABİN ELEKTRİĞİ (7)
CAB ELECTRIC (7)

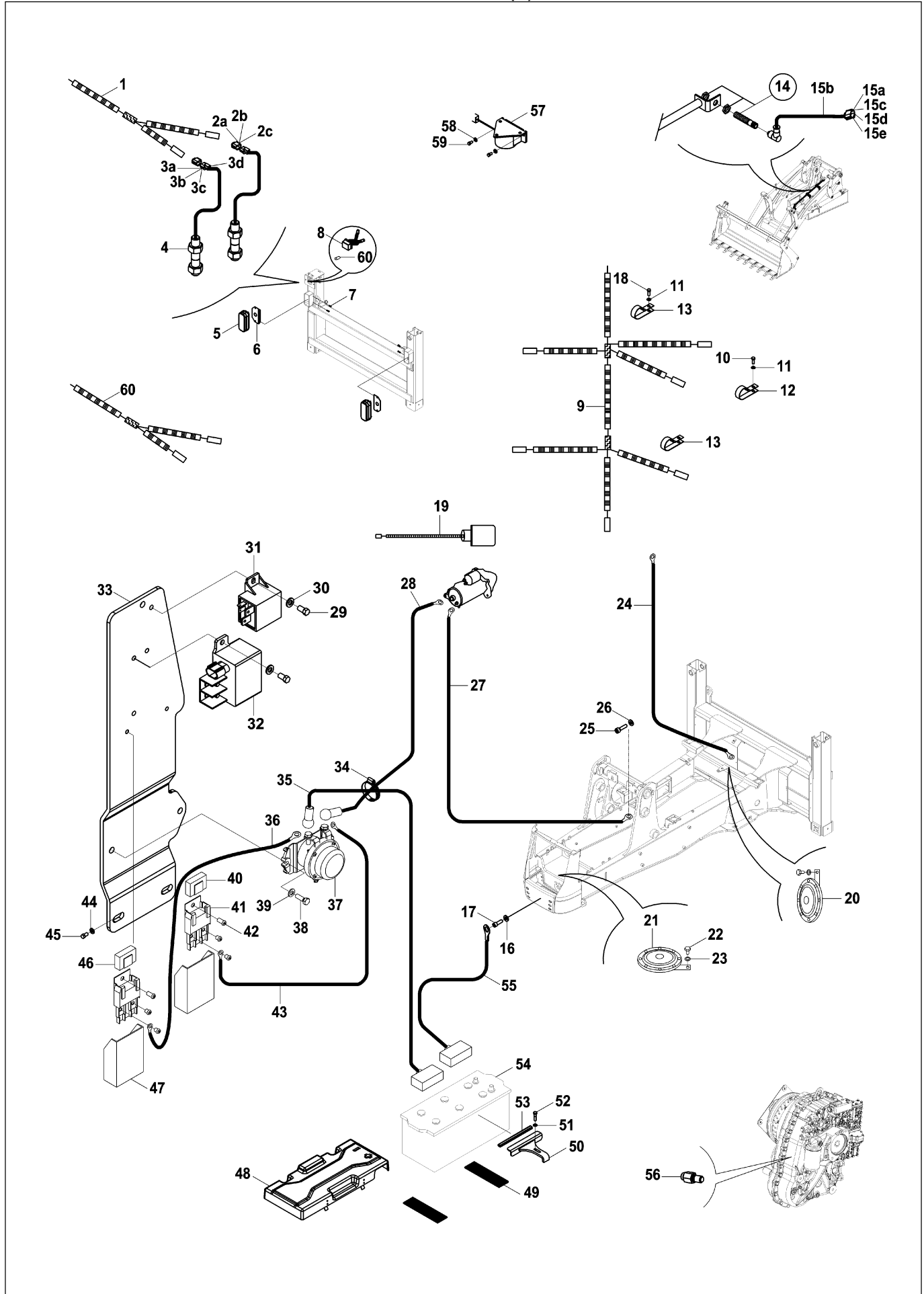
KABIN ELEKTRIĀI (8)
CAB ELECTRIC (8)



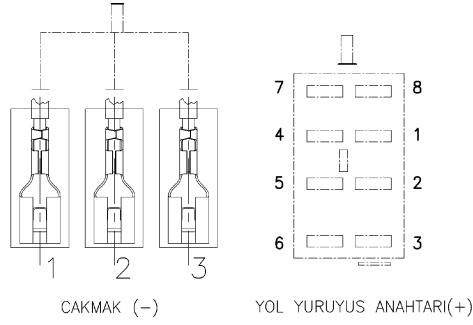
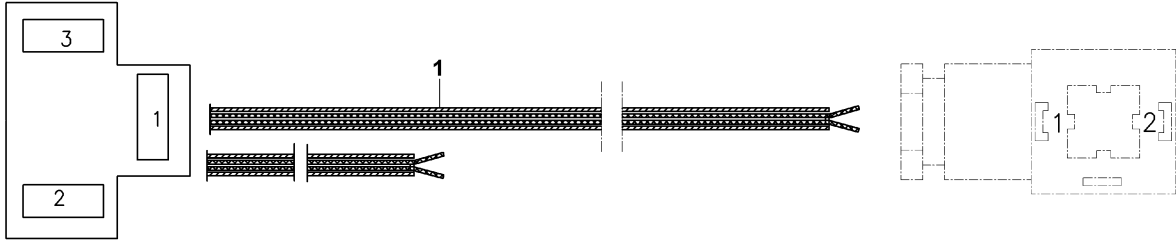
ELEKTRİK (1)
ELECTRIC (1)



ELEKTRİK (1)
ELECTRIC (1)

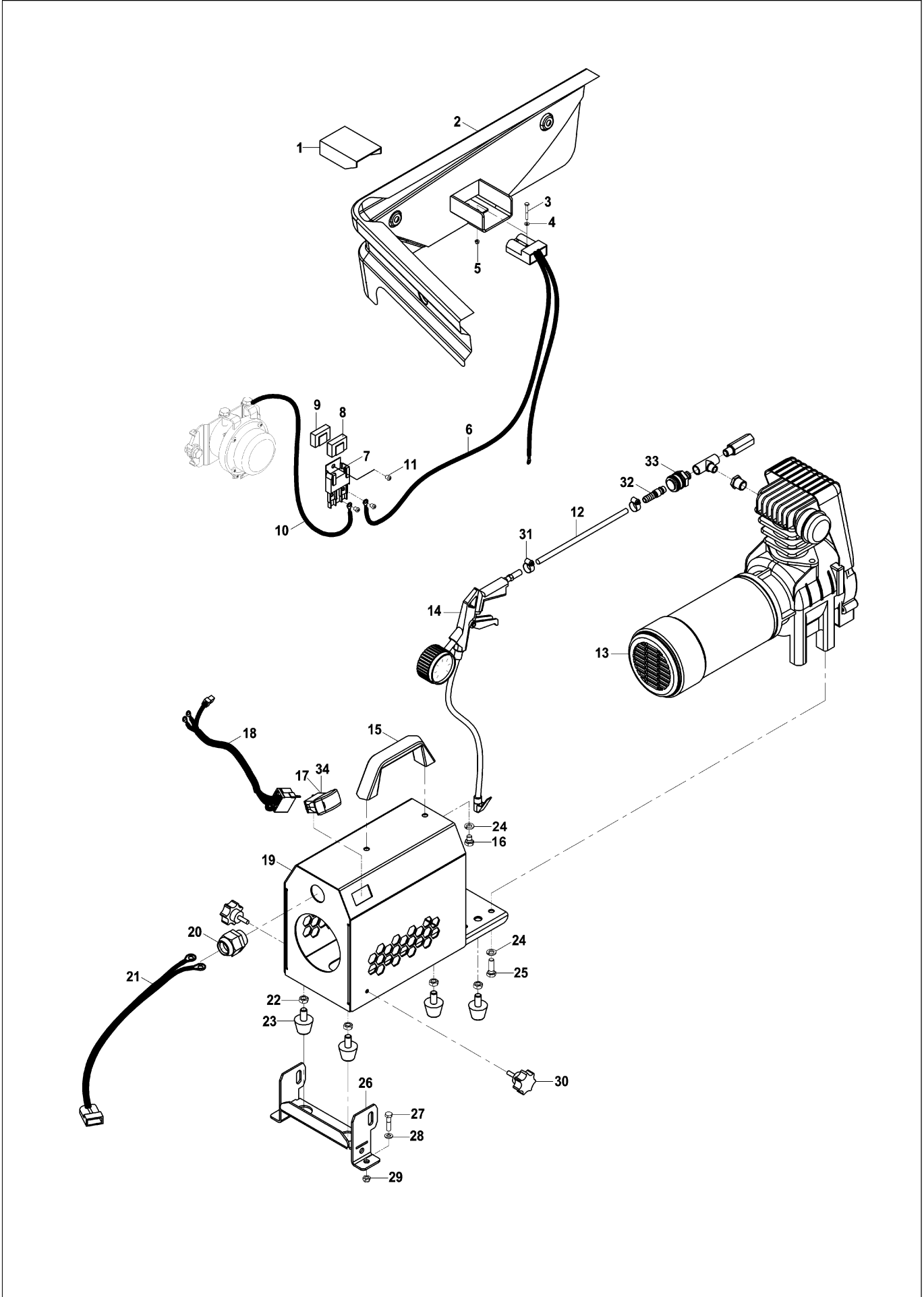


**TESFİYE KÜREĞİ (2 EKSEN AÇILI) KABLO TESİSATI (OP)
LEVELLING BLADE,(WITH TWO AXIS TURN) HARNESS (OP)**

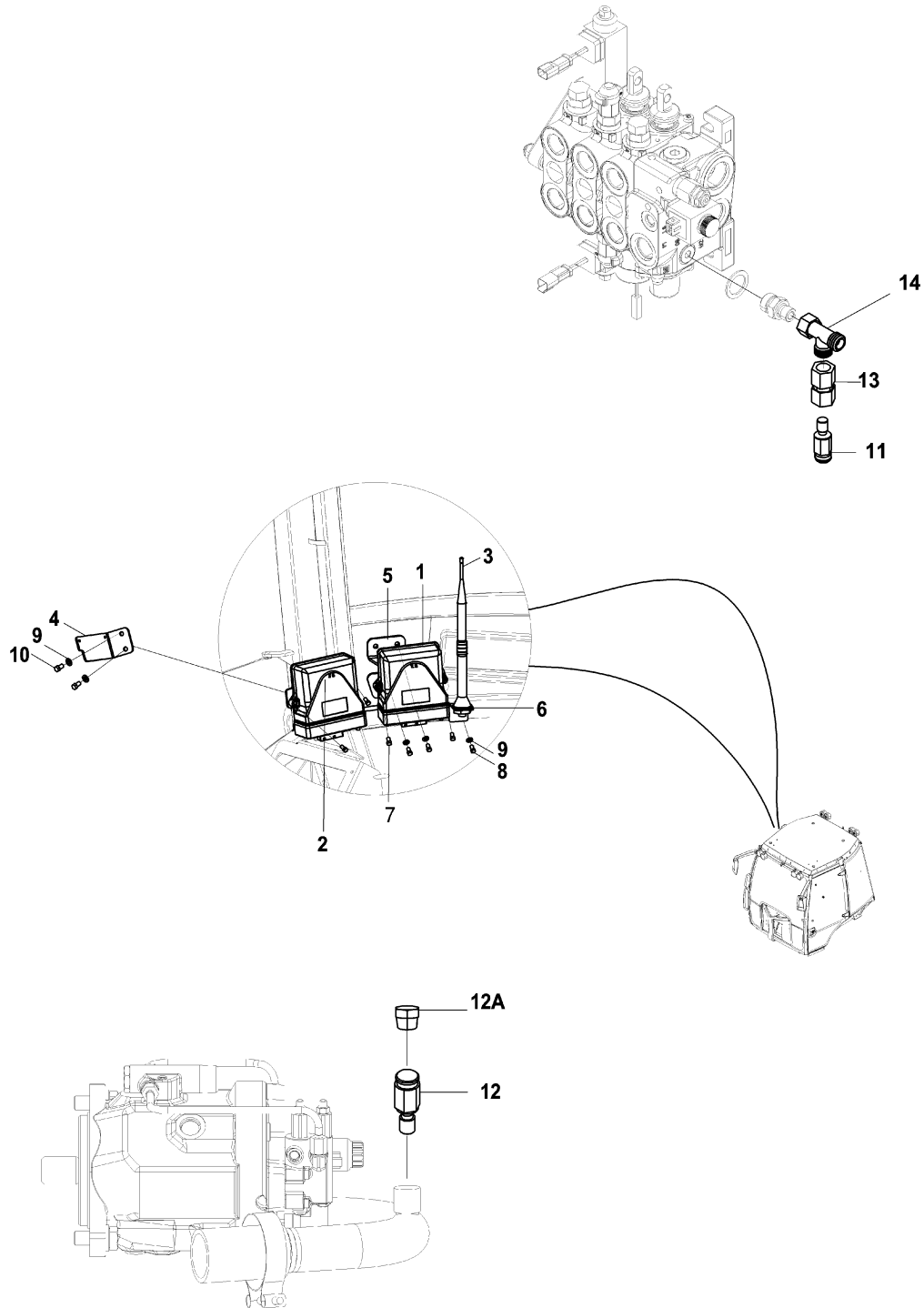


ENERJİ BAĞLANTISI

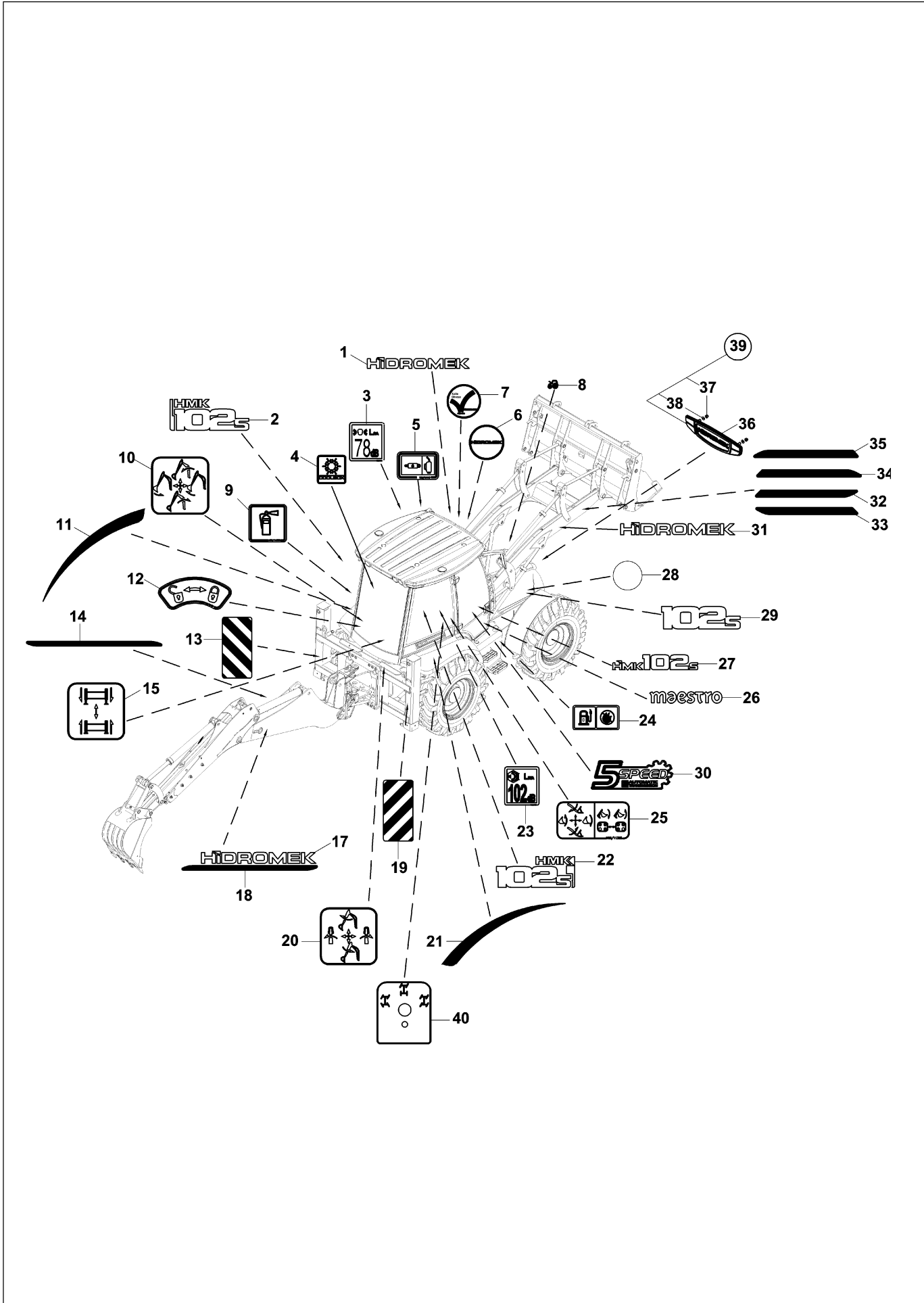
KOMPRESÖR VE ELEKTRİK TESİSATI (OP)
COMPRESSOR & HARNESS (OP) (OP)



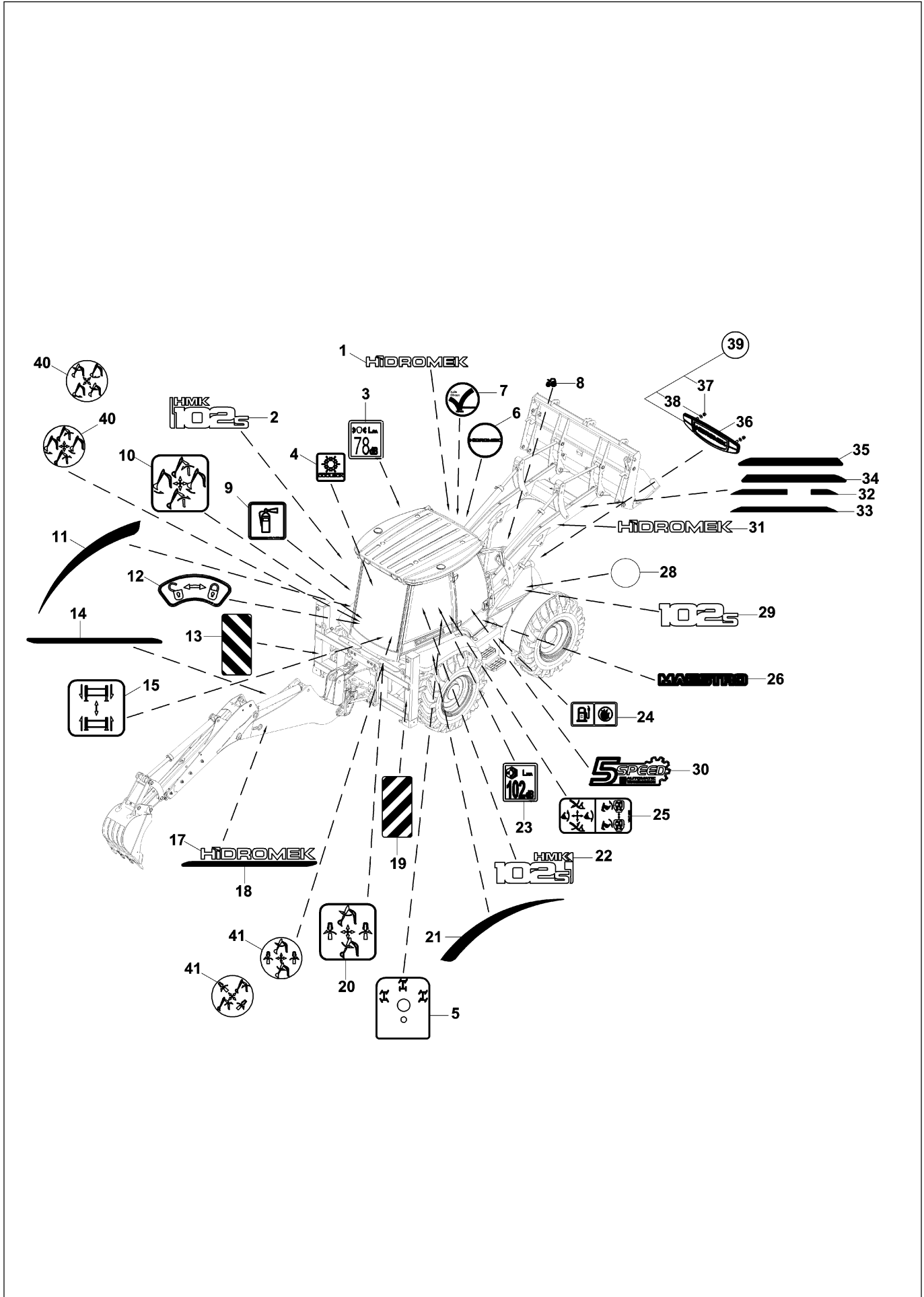
SMARTLINK (TIP B) SMARTLINK (TYPE B)



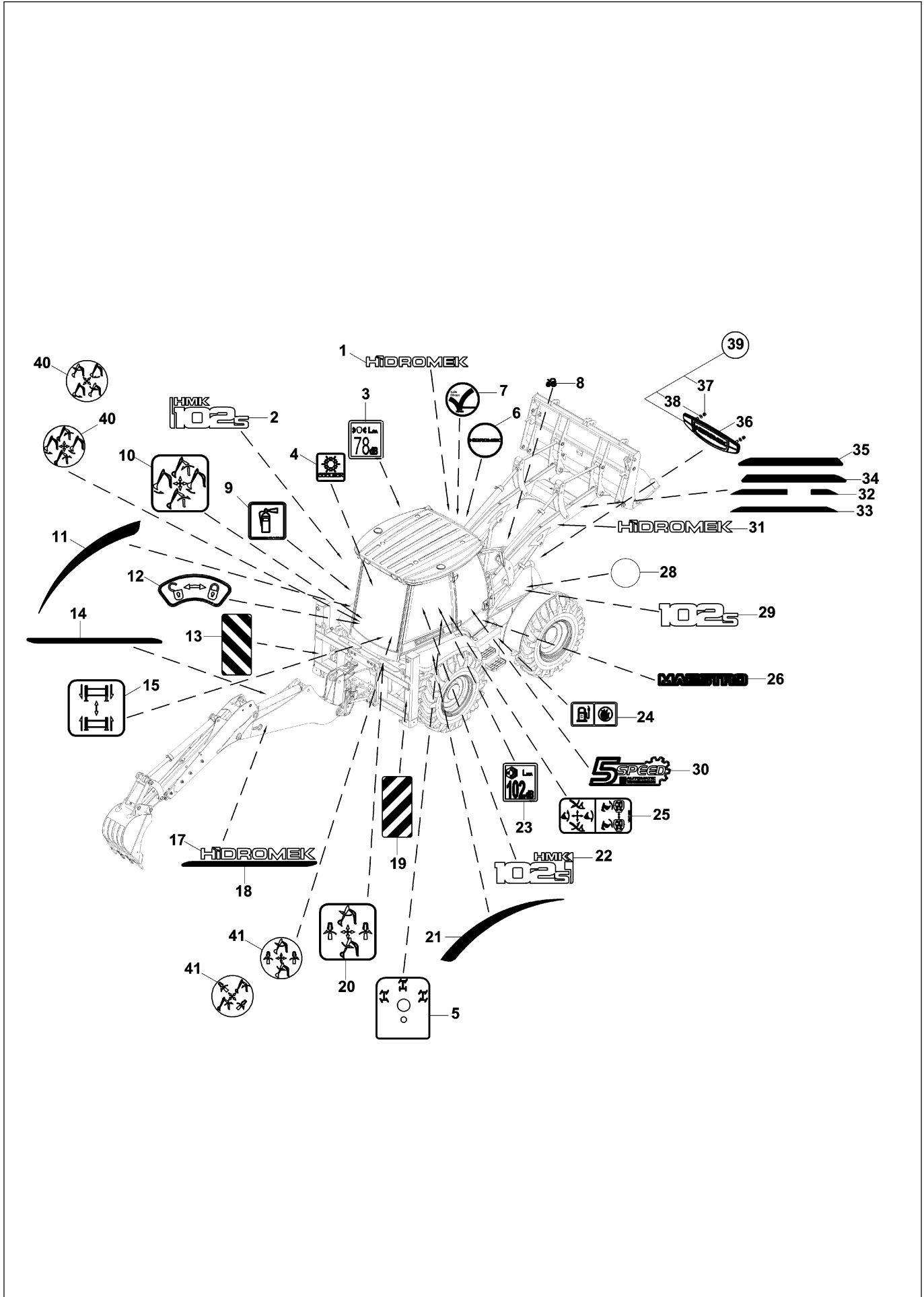
ETİKET VE LEVHALAR DECAL AND PLATES



ETİKET VE LEVHALAR DECAL AND PLATES



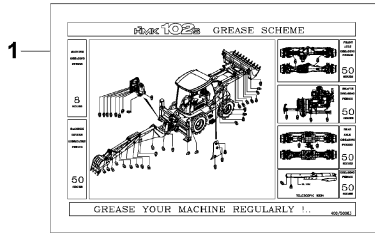
ETİKET VE LEVHALAR DECAL AND PLATES



ETİKET VE LEVHALAR (EN) (2) DECAL AND PLATES (EN) (2)

A83112-

HIDROMEK MAINTENANCE TABLE						
ITEM	UNIT	INTERVAL	DESCRIPTION	REMARKS	REVISION	DATE
1	Oil	1000 HRS	Check oil level	Check oil level		
2	Oil	1000 HRS	Change oil	Change oil		
3	Oil	1000 HRS	Check oil filter	Check oil filter		
4	Oil	1000 HRS	Change oil filter	Change oil filter		
5	Oil	1000 HRS	Check oil pressure	Check oil pressure		
6	Oil	1000 HRS	Check oil temperature	Check oil temperature		
7	Oil	1000 HRS	Check oil level	Check oil level		
8	Oil	1000 HRS	Check oil level	Check oil level		
9	Oil	1000 HRS	Check oil level	Check oil level		
10	Oil	1000 HRS	Check oil level	Check oil level		
11	Oil	1000 HRS	Check oil level	Check oil level		

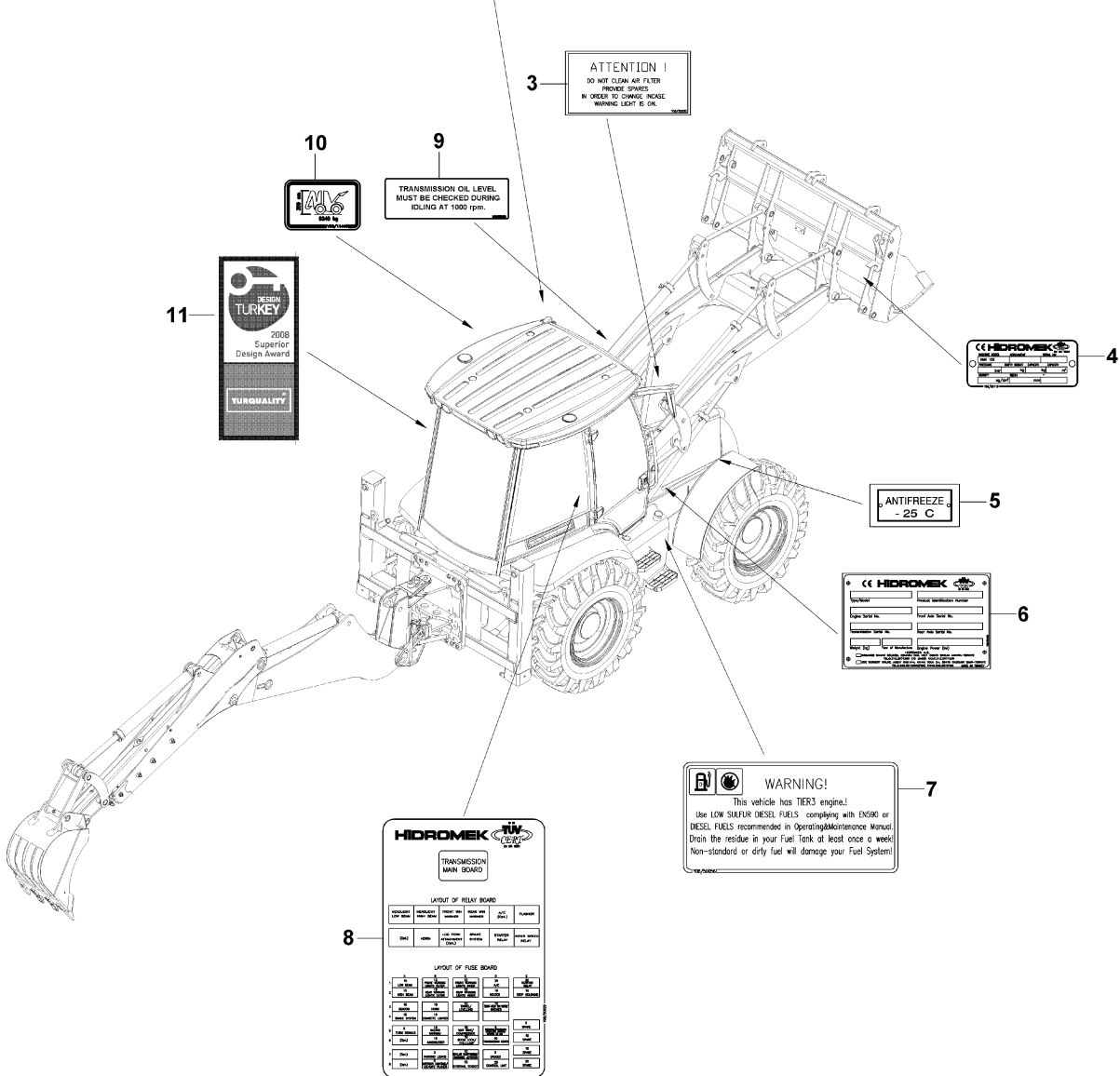


A80001-A81790

HIDROMEK MAINTENANCE TABLE						
ITEM	UNIT	INTERVAL	DESCRIPTION	REMARKS	REVISION	DATE
1	Oil	1000 HRS	Check oil level	Check oil level		
2	Oil	1000 HRS	Change oil	Change oil		
3	Oil	1000 HRS	Check oil filter	Check oil filter		
4	Oil	1000 HRS	Change oil filter	Change oil filter		
5	Oil	1000 HRS	Check oil pressure	Check oil pressure		
6	Oil	1000 HRS	Check oil temperature	Check oil temperature		
7	Oil	1000 HRS	Check oil level	Check oil level		
8	Oil	1000 HRS	Check oil level	Check oil level		
9	Oil	1000 HRS	Check oil level	Check oil level		
10	Oil	1000 HRS	Check oil level	Check oil level		
11	Oil	1000 HRS	Check oil level	Check oil level		

A81791-A83111

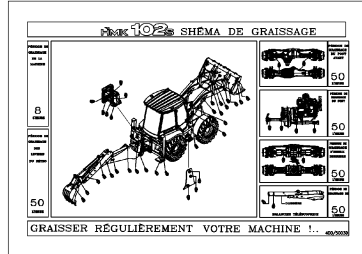
HIDROMEK MAINTENANCE TABLE						
ITEM	UNIT	INTERVAL	DESCRIPTION	REMARKS	REVISION	DATE
1	Oil	1000 HRS	Check oil level	Check oil level		
2	Oil	1000 HRS	Change oil	Change oil		
3	Oil	1000 HRS	Check oil filter	Check oil filter		
4	Oil	1000 HRS	Change oil filter	Change oil filter		
5	Oil	1000 HRS	Check oil pressure	Check oil pressure		
6	Oil	1000 HRS	Check oil temperature	Check oil temperature		
7	Oil	1000 HRS	Check oil level	Check oil level		
8	Oil	1000 HRS	Check oil level	Check oil level		
9	Oil	1000 HRS	Check oil level	Check oil level		
10	Oil	1000 HRS	Check oil level	Check oil level		
11	Oil	1000 HRS	Check oil level	Check oil level		



ETIKET VE LEVHALAR (FR) (2) DECAL AND PLATES (FR) (2)

A83112-

Schéma 10298 TABLEAU D'ENTRETIEN						
INTERVALLE DE CONSERVATION	TYPE D'OPÉRATION	UNITÉ	UNITÉ	UNITÉ	UNITÉ	UNITÉ
1	VERIFIER LE NIVEAU DE L'HUILE	HEURES	HEURES	HEURES	HEURES	HEURES
2	VERIFIER LE NIVEAU DE L'EAU	HEURES	HEURES	HEURES	HEURES	HEURES
3	VERIFIER LE NIVEAU DE L'EAU	HEURES	HEURES	HEURES	HEURES	HEURES
4	VERIFIER LE NIVEAU DE L'EAU	HEURES	HEURES	HEURES	HEURES	HEURES
5	VERIFIER LE NIVEAU DE L'EAU	HEURES	HEURES	HEURES	HEURES	HEURES
6	VERIFIER LE NIVEAU DE L'EAU	HEURES	HEURES	HEURES	HEURES	HEURES
7	VERIFIER LE NIVEAU DE L'EAU	HEURES	HEURES	HEURES	HEURES	HEURES
8	VERIFIER LE NIVEAU DE L'EAU	HEURES	HEURES	HEURES	HEURES	HEURES
9	VERIFIER LE NIVEAU DE L'EAU	HEURES	HEURES	HEURES	HEURES	HEURES
10	VERIFIER LE NIVEAU DE L'EAU	HEURES	HEURES	HEURES	HEURES	HEURES
11	VERIFIER LE NIVEAU DE L'EAU	HEURES	HEURES	HEURES	HEURES	HEURES
12	VERIFIER LE NIVEAU DE L'EAU	HEURES	HEURES	HEURES	HEURES	HEURES
13	VERIFIER LE NIVEAU DE L'EAU	HEURES	HEURES	HEURES	HEURES	HEURES
14	VERIFIER LE NIVEAU DE L'EAU	HEURES	HEURES	HEURES	HEURES	HEURES
15	VERIFIER LE NIVEAU DE L'EAU	HEURES	HEURES	HEURES	HEURES	HEURES

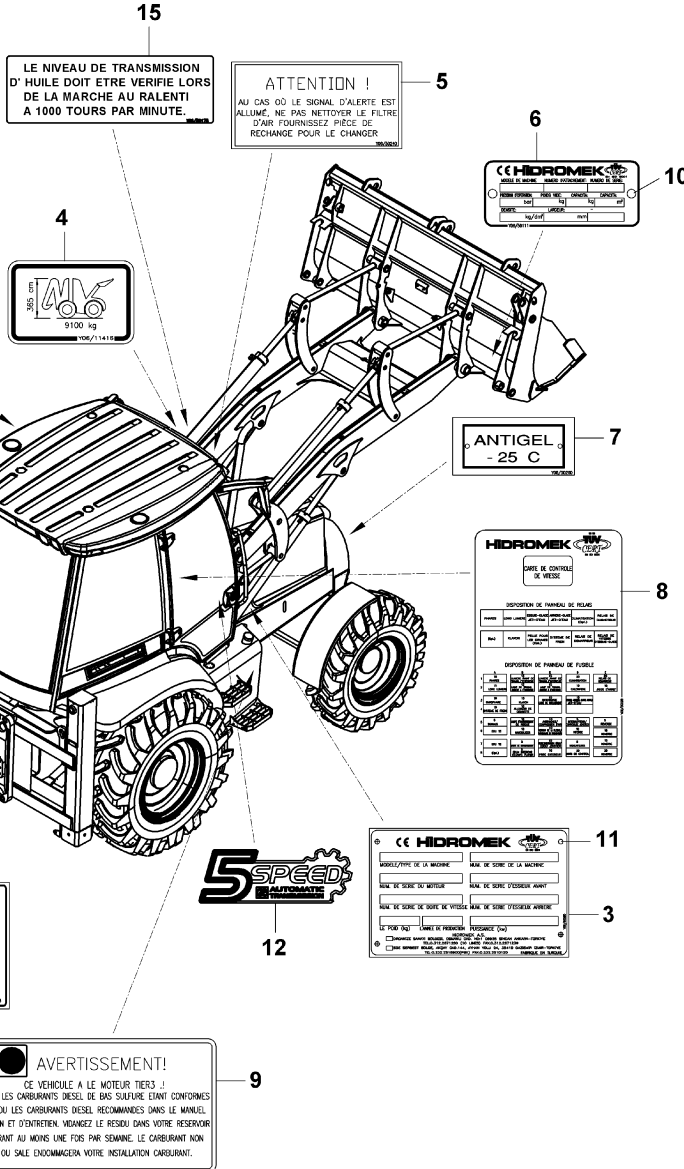


A81791-A83111

Schéma 10299 TABLEAU D'ENTRETIEN						
INTERVALLE DE CONSERVATION	TYPE D'OPÉRATION	UNITÉ	UNITÉ	UNITÉ	UNITÉ	UNITÉ
1	VERIFIER LE NIVEAU DE L'HUILE	HEURES	HEURES	HEURES	HEURES	HEURES
2	VERIFIER LE NIVEAU DE L'EAU	HEURES	HEURES	HEURES	HEURES	HEURES
3	VERIFIER LE NIVEAU DE L'EAU	HEURES	HEURES	HEURES	HEURES	HEURES
4	VERIFIER LE NIVEAU DE L'EAU	HEURES	HEURES	HEURES	HEURES	HEURES
5	VERIFIER LE NIVEAU DE L'EAU	HEURES	HEURES	HEURES	HEURES	HEURES
6	VERIFIER LE NIVEAU DE L'EAU	HEURES	HEURES	HEURES	HEURES	HEURES
7	VERIFIER LE NIVEAU DE L'EAU	HEURES	HEURES	HEURES	HEURES	HEURES
8	VERIFIER LE NIVEAU DE L'EAU	HEURES	HEURES	HEURES	HEURES	HEURES
9	VERIFIER LE NIVEAU DE L'EAU	HEURES	HEURES	HEURES	HEURES	HEURES
10	VERIFIER LE NIVEAU DE L'EAU	HEURES	HEURES	HEURES	HEURES	HEURES
11	VERIFIER LE NIVEAU DE L'EAU	HEURES	HEURES	HEURES	HEURES	HEURES
12	VERIFIER LE NIVEAU DE L'EAU	HEURES	HEURES	HEURES	HEURES	HEURES
13	VERIFIER LE NIVEAU DE L'EAU	HEURES	HEURES	HEURES	HEURES	HEURES
14	VERIFIER LE NIVEAU DE L'EAU	HEURES	HEURES	HEURES	HEURES	HEURES
15	VERIFIER LE NIVEAU DE L'EAU	HEURES	HEURES	HEURES	HEURES	HEURES

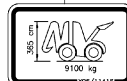
A80001-A81790

Schéma 10300 TABLEAU D'ENTRETIEN						
INTERVALLE DE CONSERVATION	TYPE D'OPÉRATION	UNITÉ	UNITÉ	UNITÉ	UNITÉ	UNITÉ
1	VERIFIER LE NIVEAU DE L'HUILE	HEURES	HEURES	HEURES	HEURES	HEURES
2	VERIFIER LE NIVEAU DE L'EAU	HEURES	HEURES	HEURES	HEURES	HEURES
3	VERIFIER LE NIVEAU DE L'EAU	HEURES	HEURES	HEURES	HEURES	HEURES
4	VERIFIER LE NIVEAU DE L'EAU	HEURES	HEURES	HEURES	HEURES	HEURES
5	VERIFIER LE NIVEAU DE L'EAU	HEURES	HEURES	HEURES	HEURES	HEURES
6	VERIFIER LE NIVEAU DE L'EAU	HEURES	HEURES	HEURES	HEURES	HEURES
7	VERIFIER LE NIVEAU DE L'EAU	HEURES	HEURES	HEURES	HEURES	HEURES
8	VERIFIER LE NIVEAU DE L'EAU	HEURES	HEURES	HEURES	HEURES	HEURES
9	VERIFIER LE NIVEAU DE L'EAU	HEURES	HEURES	HEURES	HEURES	HEURES
10	VERIFIER LE NIVEAU DE L'EAU	HEURES	HEURES	HEURES	HEURES	HEURES
11	VERIFIER LE NIVEAU DE L'EAU	HEURES	HEURES	HEURES	HEURES	HEURES
12	VERIFIER LE NIVEAU DE L'EAU	HEURES	HEURES	HEURES	HEURES	HEURES
13	VERIFIER LE NIVEAU DE L'EAU	HEURES	HEURES	HEURES	HEURES	HEURES
14	VERIFIER LE NIVEAU DE L'EAU	HEURES	HEURES	HEURES	HEURES	HEURES
15	VERIFIER LE NIVEAU DE L'EAU	HEURES	HEURES	HEURES	HEURES	HEURES



LE NIVEAU DE TRANSMISSION D'HUILE DOIT ETRE VERIFIE LORS DE LA MARCHÉ AU RALENTI A 1000 TOURS PAR MINUTE.

ATTENTION ! AU CAS OÙ LE SIGNAL D'ALERTE EST ALLUMÉ, NE PAS NETTOYER LE FILTRE D'AIR FOURNISSEZ PIÈCE DE RECHANGE POUR LE CHANGER.



ANTIGEL -25 C

HIDROMEK			
TABLE DE CONTRÔLE DE PESÉE			
DISPOSITIF DE TAMBOUR DE DELAIS			
1	2	3	4
5	6	7	8
9	10	11	12
13	14	15	16
17	18	19	20
21	22	23	24
25	26	27	28
29	30	31	32
33	34	35	36
37	38	39	40
41	42	43	44
45	46	47	48
49	50	51	52
53	54	55	56
57	58	59	60
61	62	63	64
65	66	67	68
69	70	71	72
73	74	75	76
77	78	79	80
81	82	83	84
85	86	87	88
89	90	91	92
93	94	95	96
97	98	99	100

TOUJOURS ENGAGER LA GOUPILLE DE VERROUILLAGE DE FLECHE PENDANT LES DÉFICHÈMENTS.



HIDROMEK			
TABLE DE CONTRÔLE DE PESÉE			
1	2	3	4
5	6	7	8
9	10	11	12
13	14	15	16
17	18	19	20
21	22	23	24
25	26	27	28
29	30	31	32
33	34	35	36
37	38	39	40
41	42	43	44
45	46	47	48
49	50	51	52
53	54	55	56
57	58	59	60
61	62	63	64
65	66	67	68
69	70	71	72
73	74	75	76
77	78	79	80
81	82	83	84
85	86	87	88
89	90	91	92
93	94	95	96
97	98	99	100

AVERTISSEMENT!
CE VEHICULE A LE MOTEUR TIERS !
EMPLOYEZ LES CARBURANTS DRESU ET BAS SUIVREZ ÉTAPE CONFORMES A CASO OÙ LES CARBURANTS DIESEL RECOMMANDÉS DANS LE MANUEL D'OPÉRATION ET D'ENTRETIEN. VIDÉANGÉZ LE RESIDU DANS VOTRE RÉSERVOIR DE CARBURANT AU MOINS UNE FOIS PAR SEMAINE. LE CARBURANT NON STANDARD OU SALE ENDOGÈMERA VOTRE INSTALLATION CARBURANT.

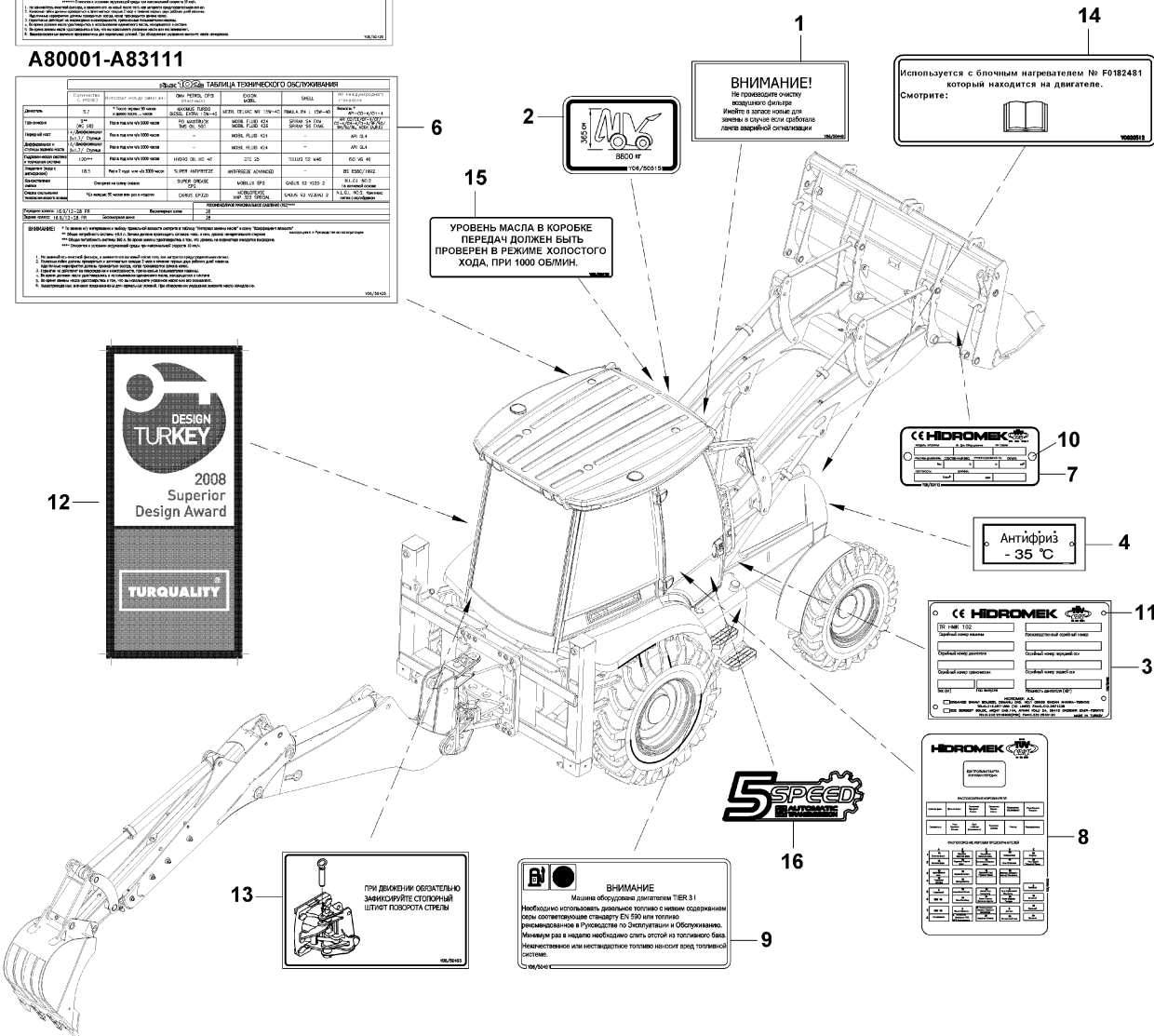
ETIKET VE LEVHALAR (RU) (2) DECAL AND PLATES (RU) (2)

A803112

Свойства	Техническое описание	Оптимальное значение	Допустимое значение	Свойства	Техническое описание	Оптимальное значение	Допустимое значение
Мощность	8,7	8,7	8,7	Скорость движения	0-40 км/ч	0-40 км/ч	0-40 км/ч
Скорость движения	0-40 км/ч	0-40 км/ч	0-40 км/ч	Скорость движения	0-40 км/ч	0-40 км/ч	0-40 км/ч
Скорость движения	0-40 км/ч	0-40 км/ч	0-40 км/ч	Скорость движения	0-40 км/ч	0-40 км/ч	0-40 км/ч

A80001-A83111

Свойства	Техническое описание	Оптимальное значение	Допустимое значение	Свойства	Техническое описание	Оптимальное значение	Допустимое значение
Мощность	8,7	8,7	8,7	Скорость движения	0-40 км/ч	0-40 км/ч	0-40 км/ч
Скорость движения	0-40 км/ч	0-40 км/ч	0-40 км/ч	Скорость движения	0-40 км/ч	0-40 км/ч	0-40 км/ч
Скорость движения	0-40 км/ч	0-40 км/ч	0-40 км/ч	Скорость движения	0-40 км/ч	0-40 км/ч	0-40 км/ч



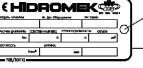
ВНИМАНИЕ!
Не проводите очистку гидравлической системы. Ищите в сервисе все детали для замены в случае возникновения любых аварийных ситуаций.

Используйте с блоком нагревателя № F0182481 который находится на двигателе. Смотрите:

УРОВЕНЬ МАСЛА В КОРБКЕ ПЕРЕДАЧ ДОЛЖЕН БЫТЬ ПРОВЕРЕН В РЕЖИМЕ ХОЛОСТОГО ХОДА, ПРИ 1000 ОБ/МИН.

ПРИ ДВИЖЕНИИ ОБЯЗАТЕЛЬНО ЗАФИКСИРУЙТЕ СТОПОРНЫЙ ШТИФТ ПЕРЕКЛАДА СТОРЕМ

ВНИМАНИЕ
Машина оборудована двигателем TIER 3 I. Необходимо использовать дизельное топливо с низким содержанием серы соответствующее стандарту EN 590 или коллига. Рекомендуется использовать топливо по спецификации и оборудованию. Минимум два в надобно использовать систему очистки топливного бака. Некачественное или неистовое топливо наносит вред топливной системе.



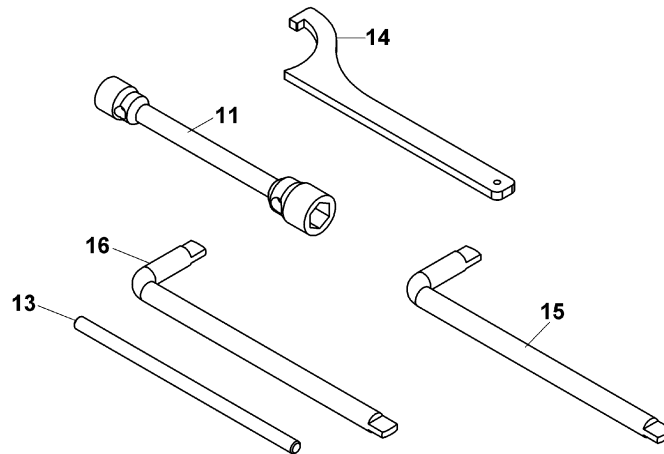
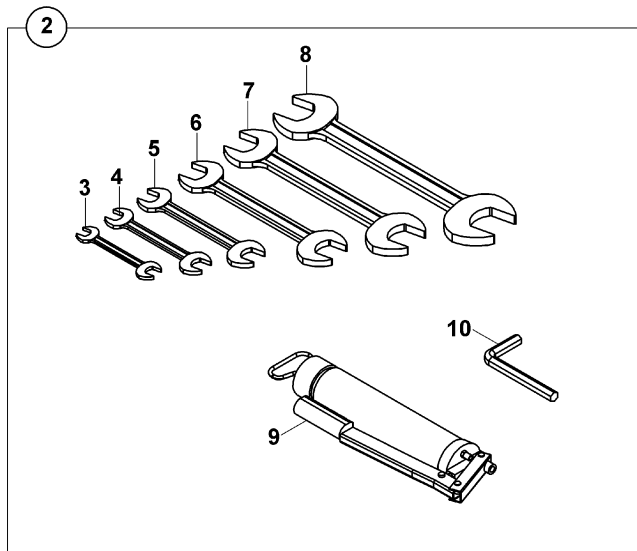
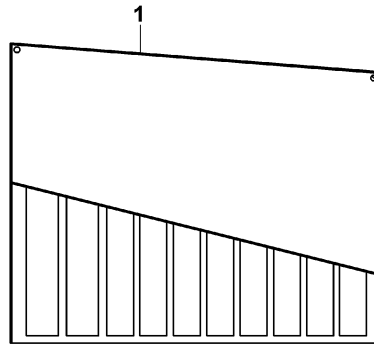
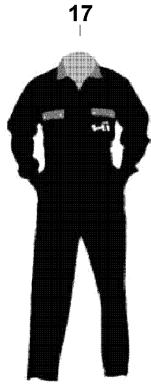
Антифриз -35 °C

CE HIDROMEK maintenance form with fields for oil type, quantity, and date.

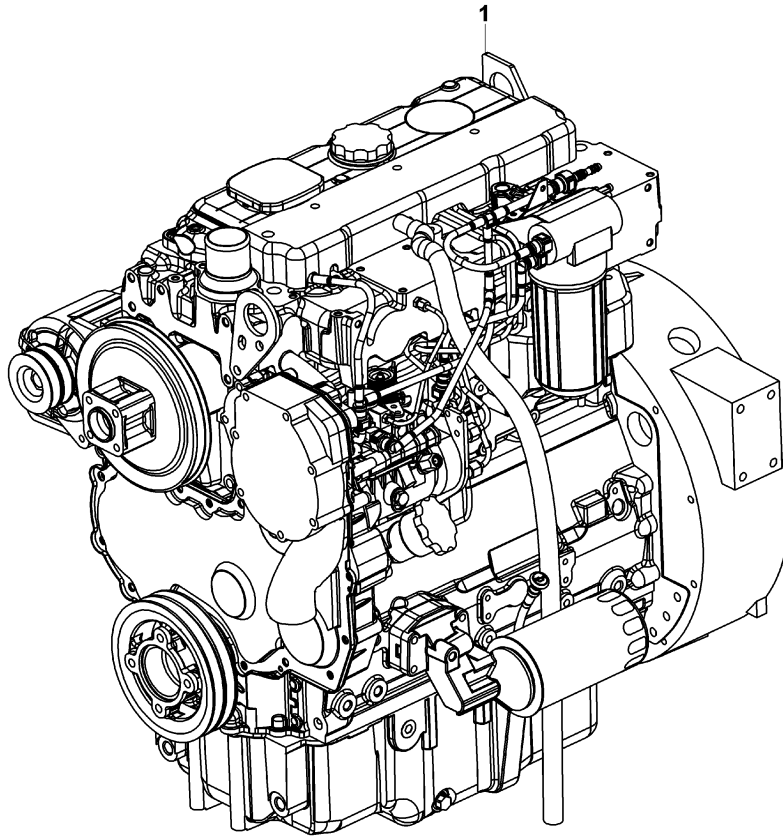
HIDROMEK maintenance schedule table with columns for hours and days.



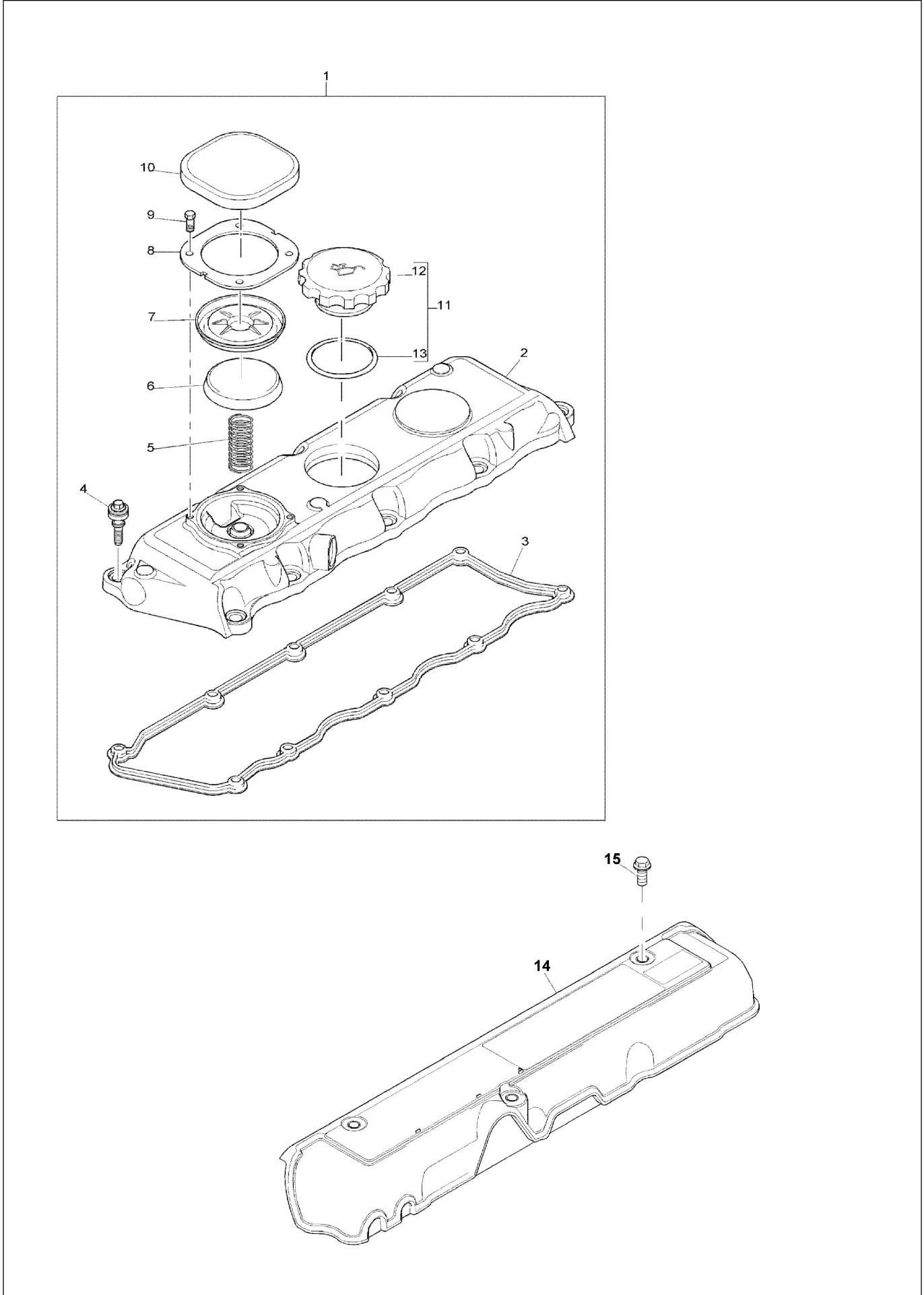
AVADANLIK TAKIMI TOOL KIT



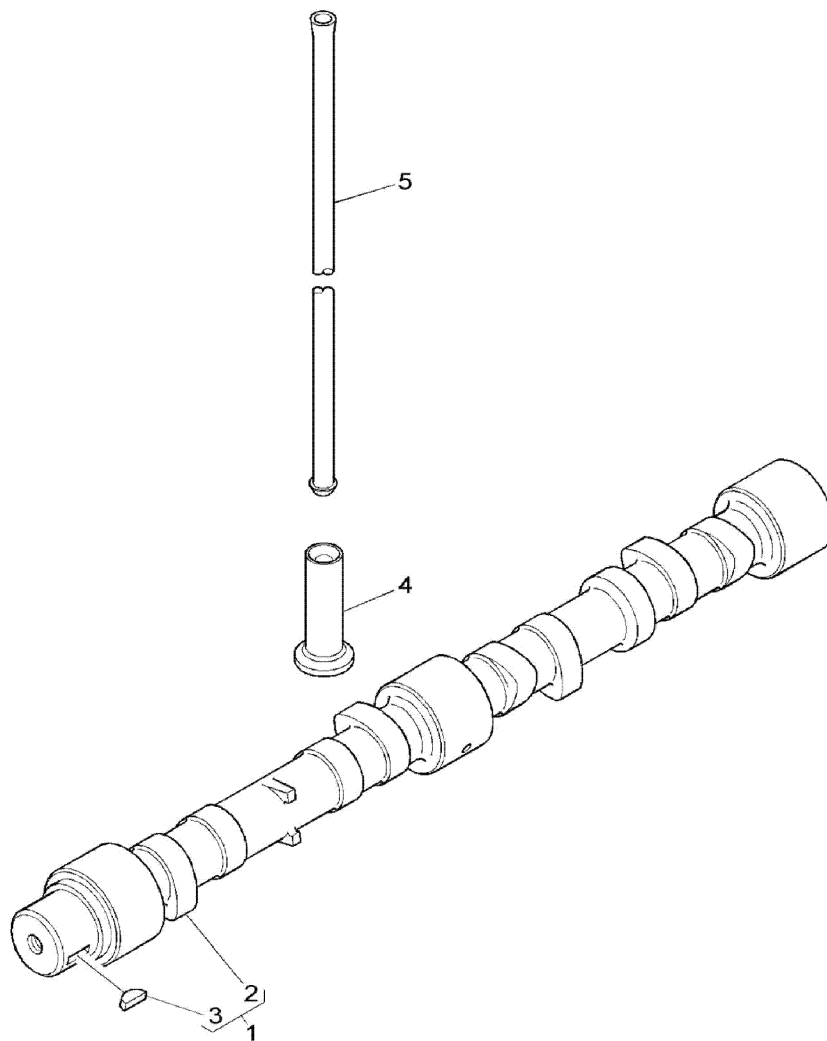
**MOTOR, 1104D-44TA
ENGINE, 1104D-44TA**



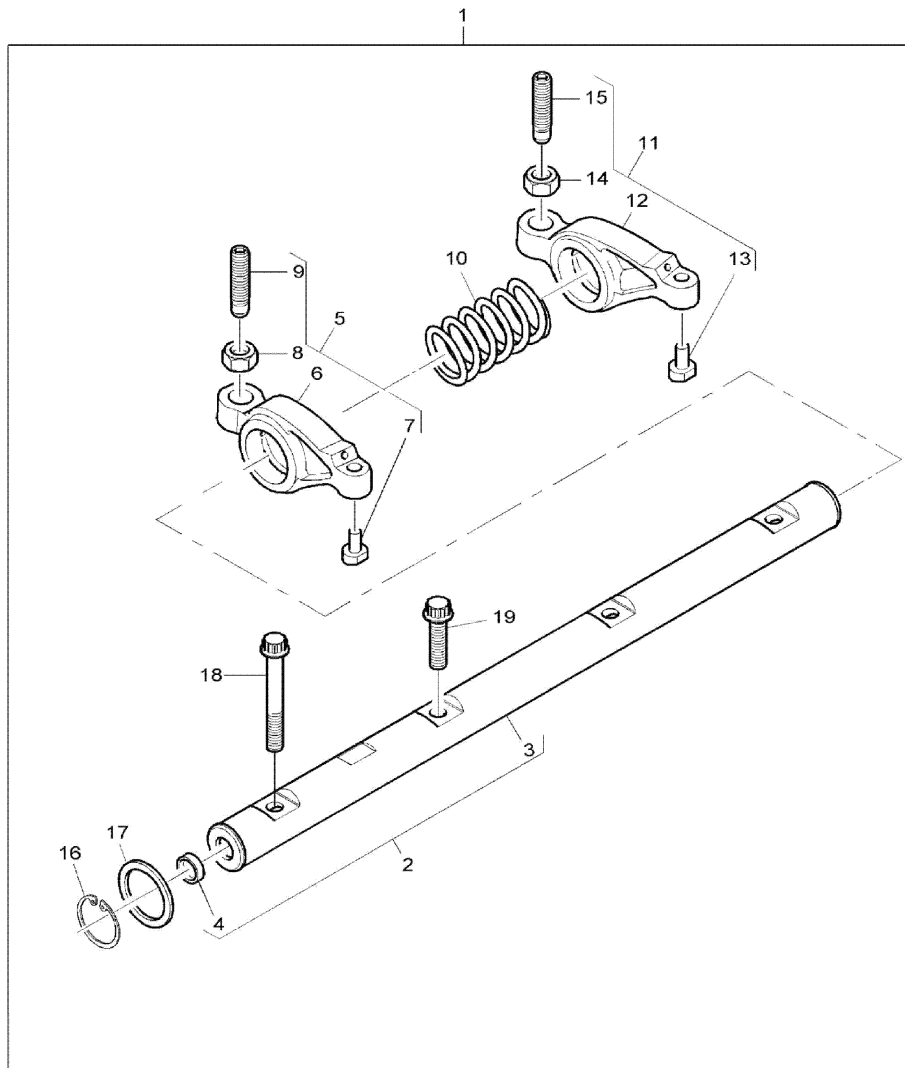
KÜLBÜTÖR KAPAĞI, MOTOR 1104D-44TA
CYLINDER HEAD COVER, MOTOR 1104D-44TA



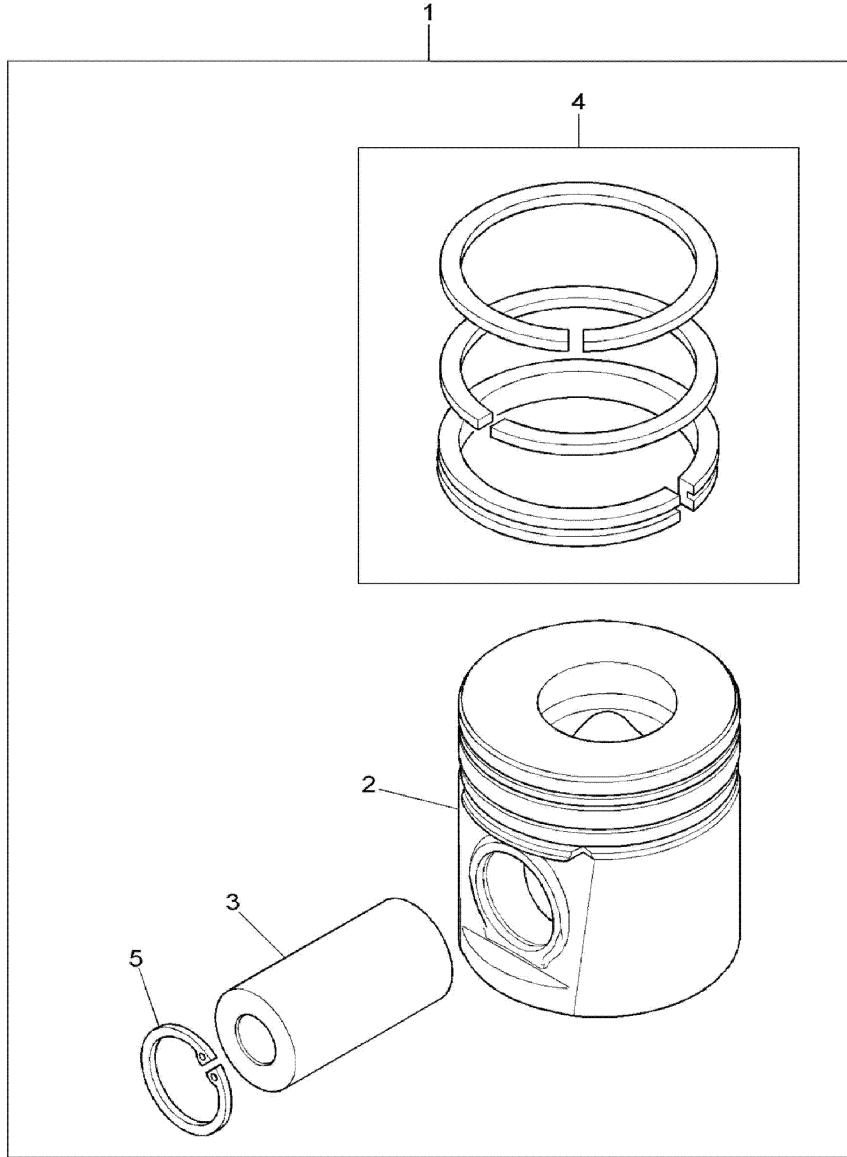
KAM MİLİ, MOTOR 1104D- 44TA
CAM SHAFT, ENGINE 1104D- 44TA



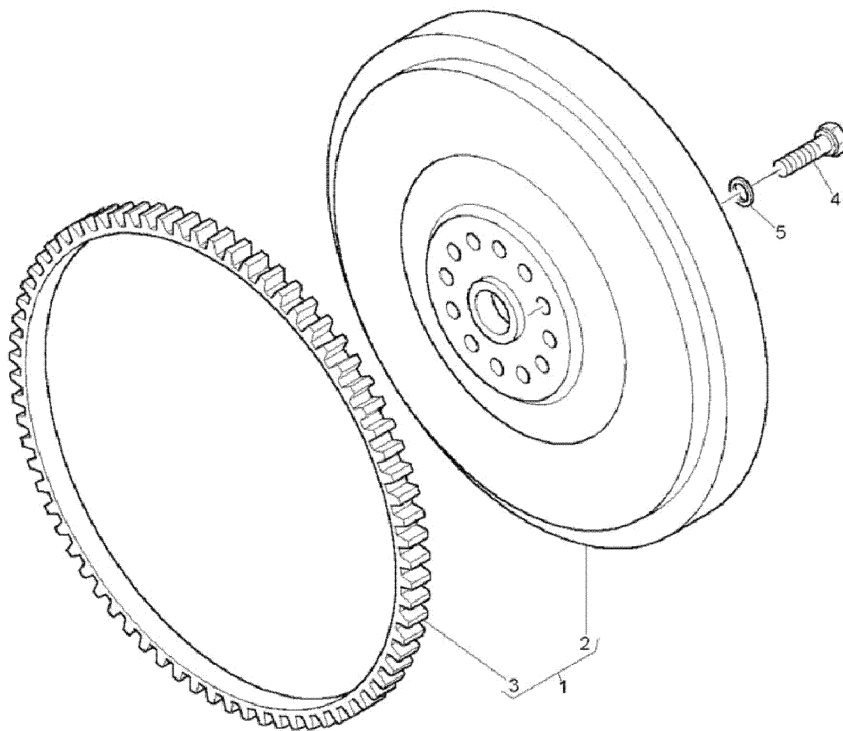
KÜLBÜTÖR, MOTOR 1104D-44TA ROCKER ASSEMBLY, ENGINE 1104D- 44TA

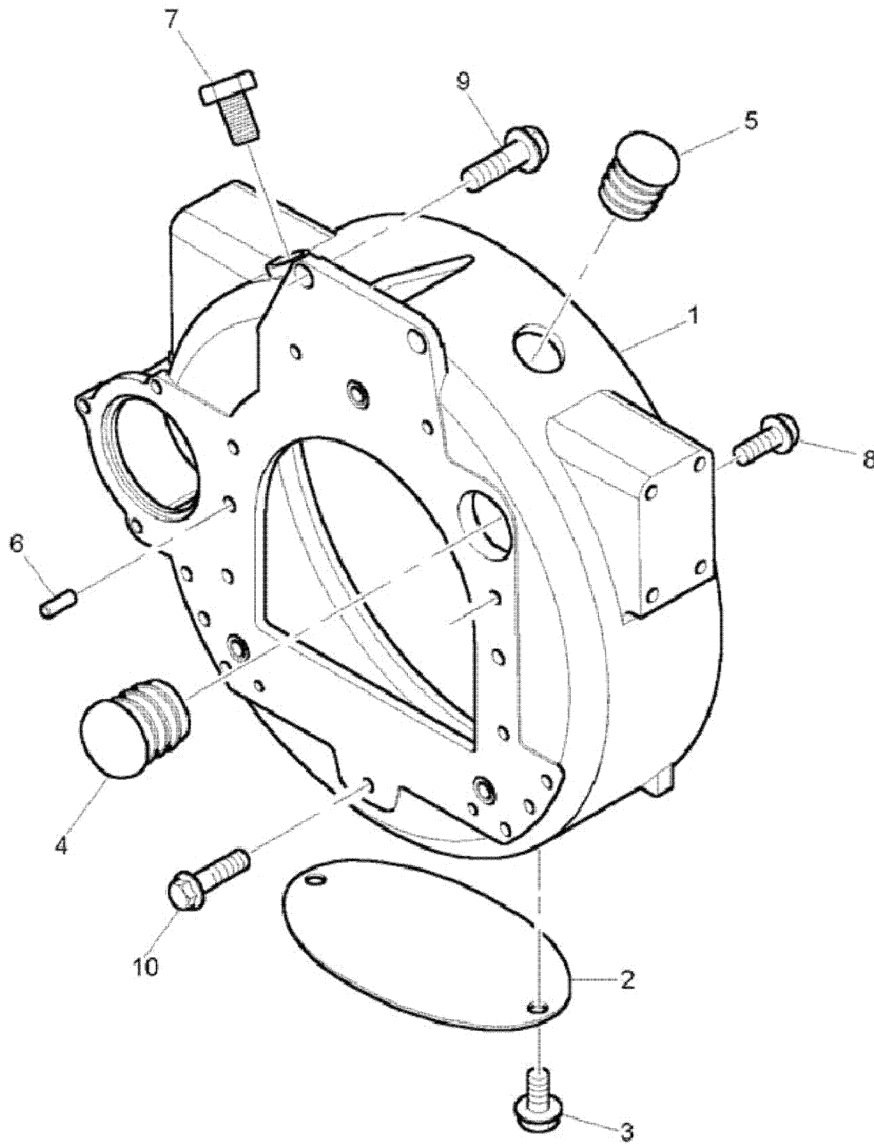


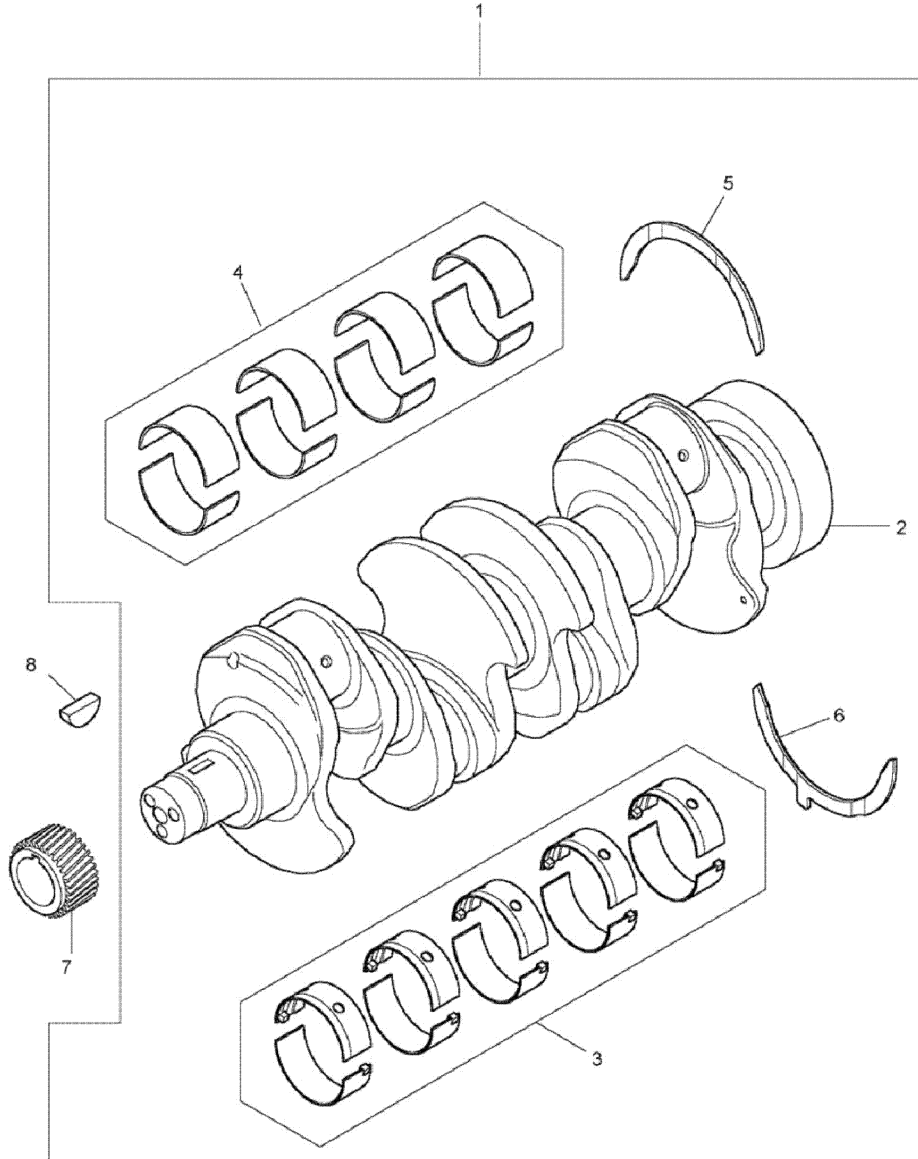
PİSTON VE SEGMANLAR, MOTOR 1104D-44TA
PISTONS & RINGS, ENGINE 1104D-44TA



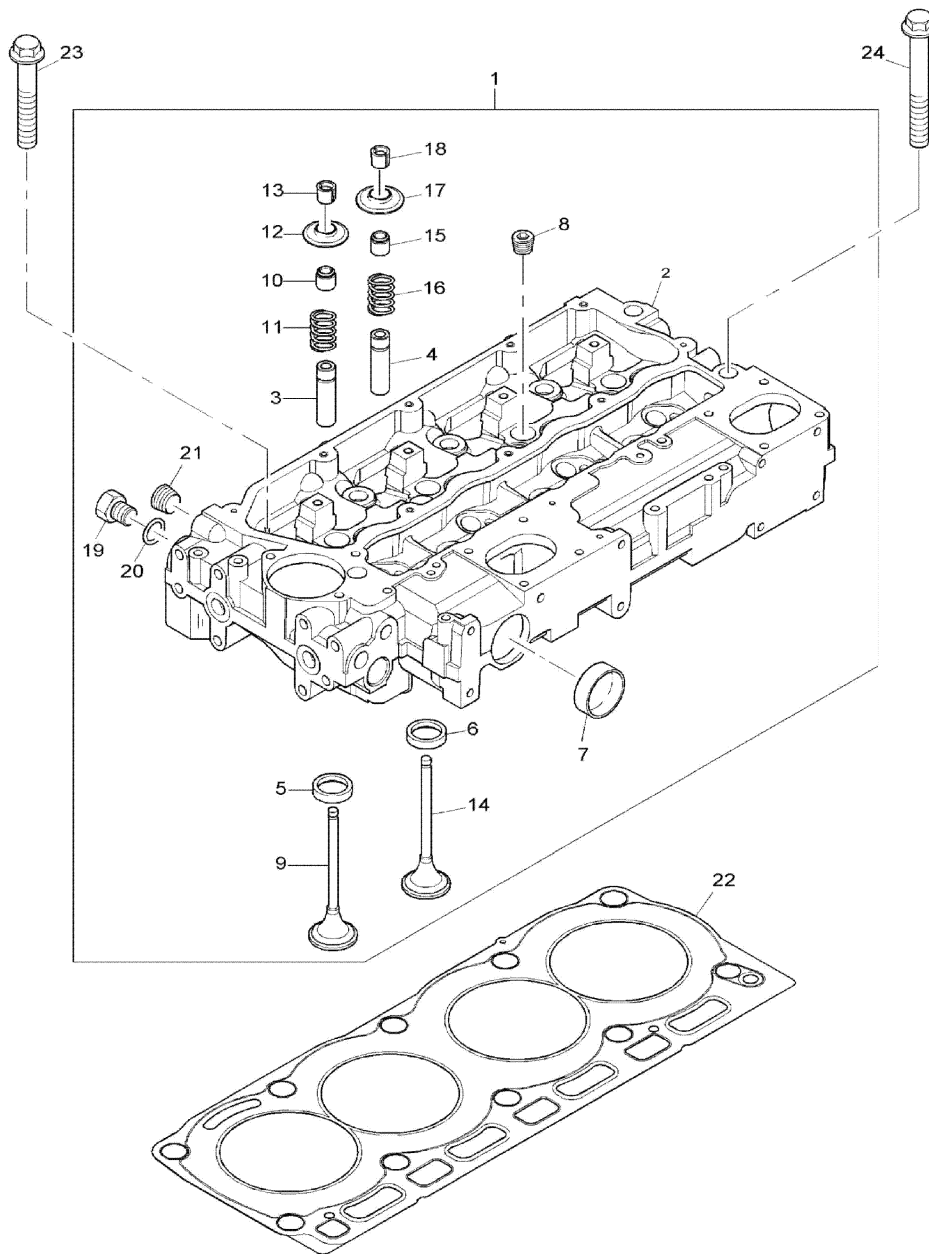
VOLAN, MOTOR 1104D- 44TA
FLYWHEEL, ENGINE 1104D- 44TA



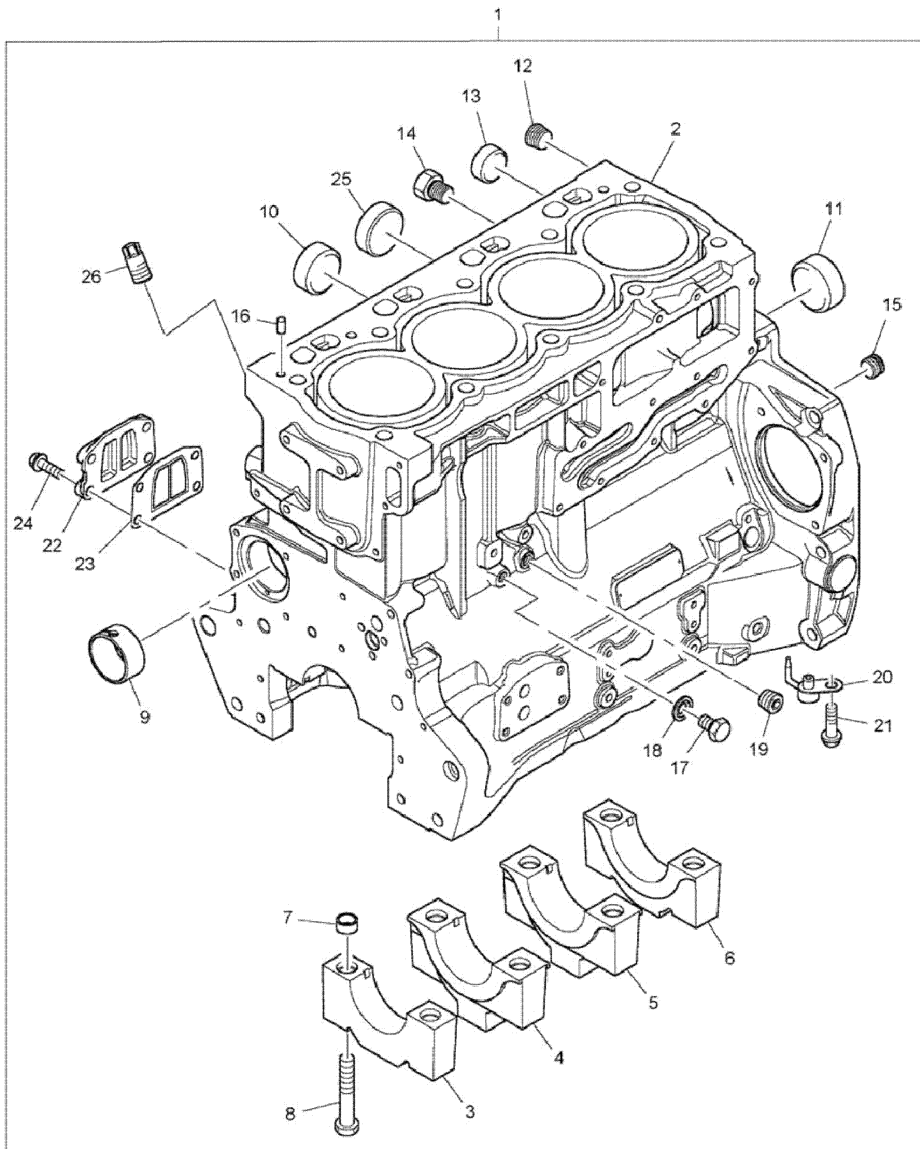
VOLAN MUHAFAZASI, MOTOR 1104D- 44TA
FLYWHEEL HOUSING, ENGINE 1104D- 44TA

**KRANKMİLİ & ANA VE GEZİNTİ YATAKLARI, MOTOR 1104D-44TA
CRANKSHAFT MAIN & BIG END BEARINGS , ENGINE 1104D- 44TA**

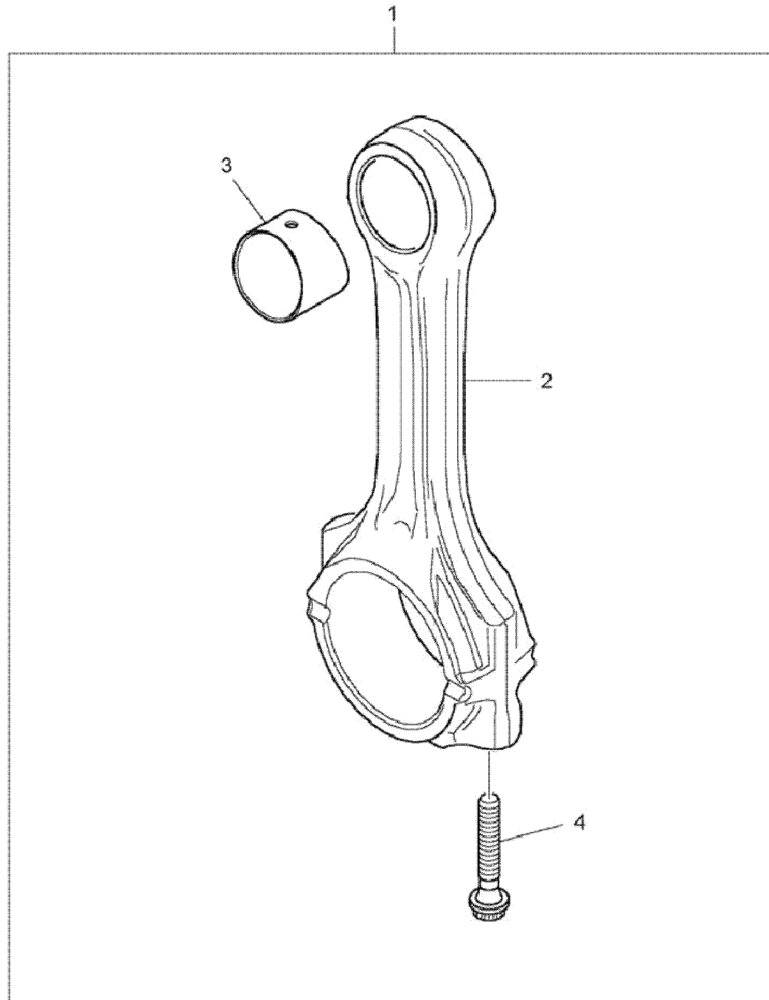
SİLİNDİR KAPAĞI, MOTOR 1104D-44TA
CYLINDER HEAD ASSY, ENGINE 1104D-44TA,



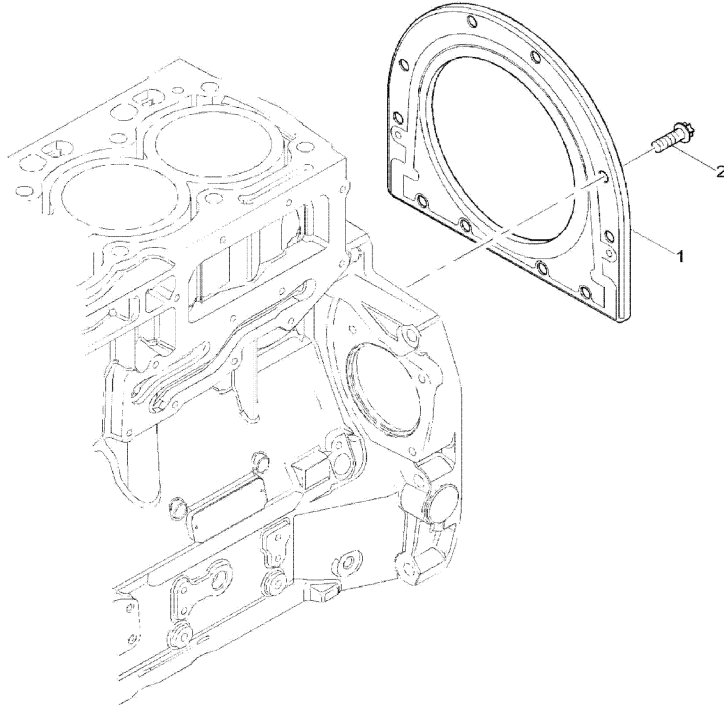
SİLİNDİR BLOĞU VE GÖMLEĞİ, MOTOR 1104D-44TA
CYLINDER BLOCK & LINERS, ENGINE 1104D-44TA



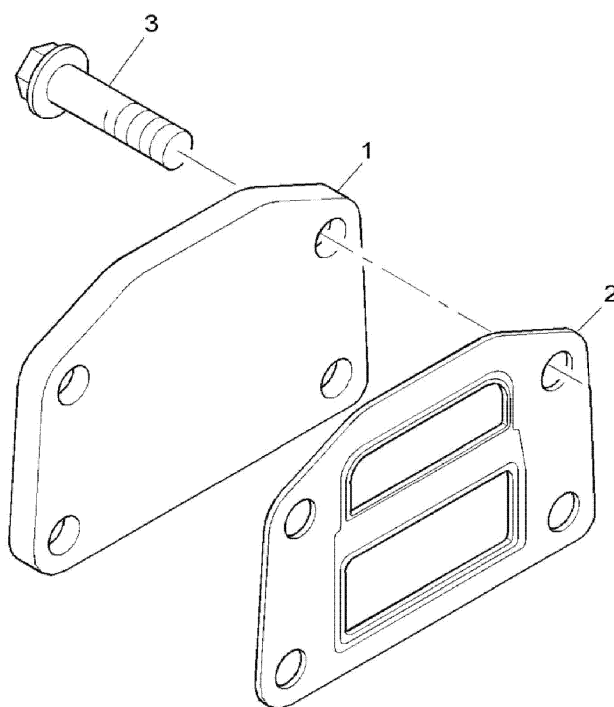
BİYEL KOLU, MOTOR 1104D-44TA
CONNECTING RODS, ENGINE 1104D-44TA



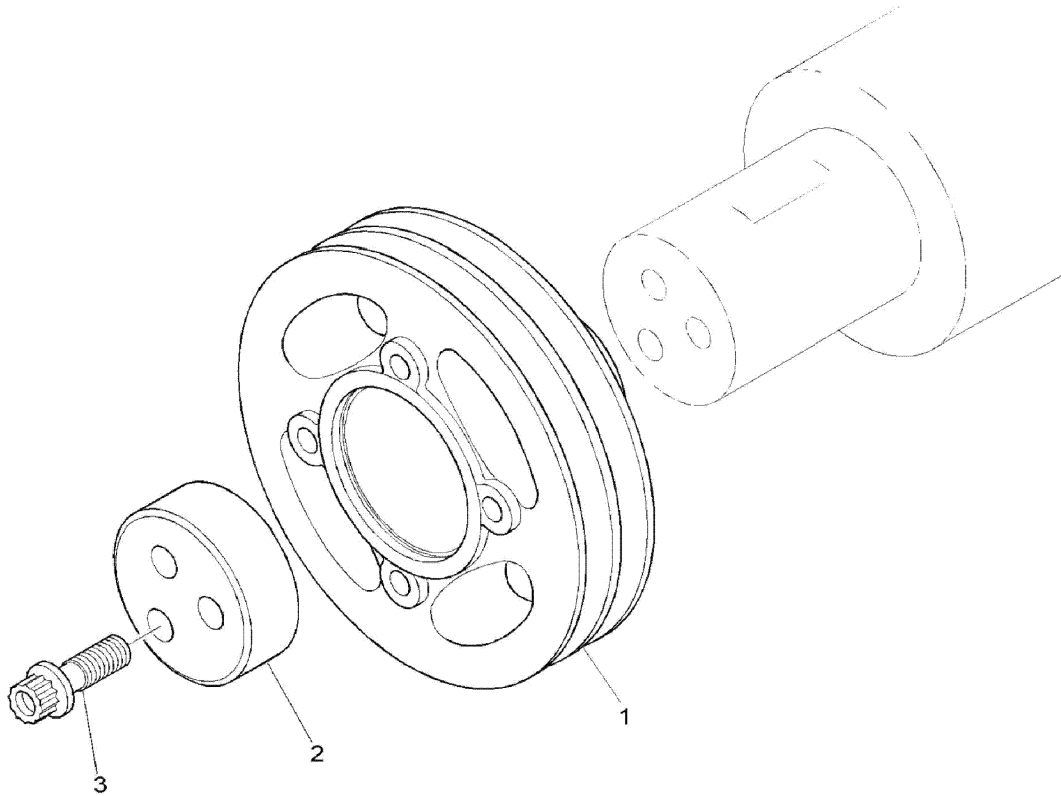
KRANK ARKA KEÇE YUVASI, MOTOR 1104D-44TA
REAR END OIL SEAL, ENGINE 1104D-44TA



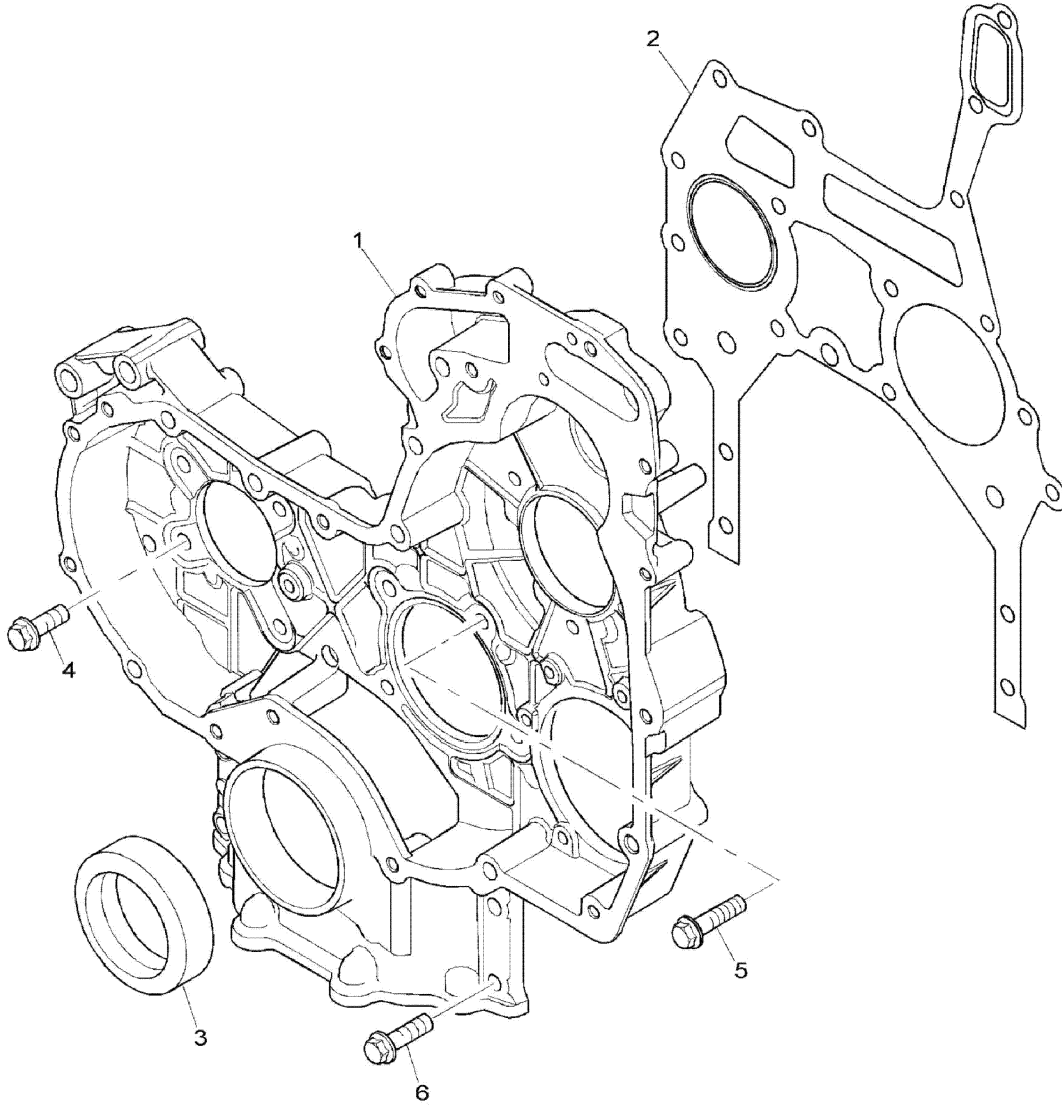
KÖR KAPAK, MOTOR 1104D-44TA
BLANKING PLATES, ENGINE 1104D-44TA



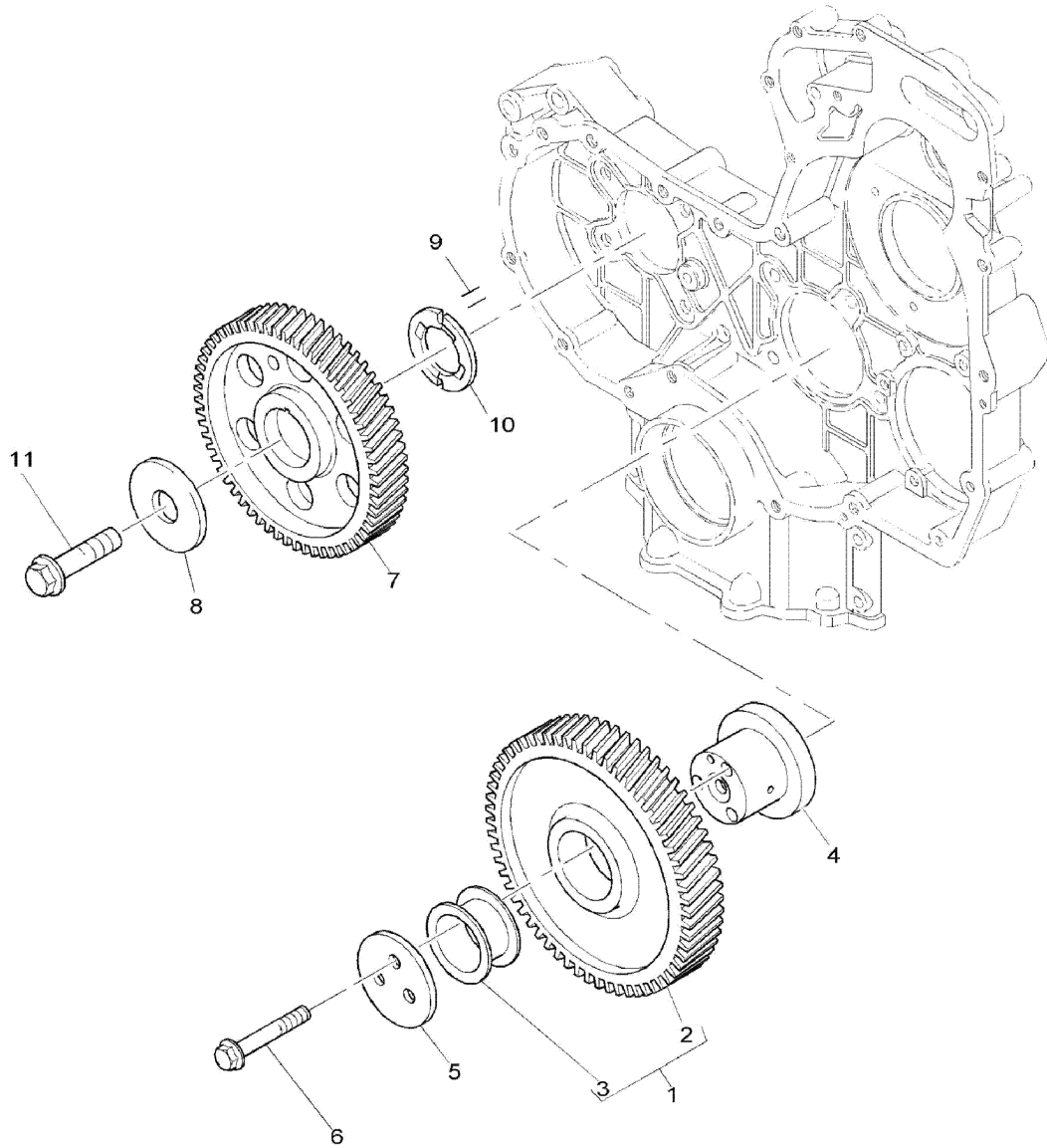
KRANK KASNAŽI, MOTOR 1104D- 44TA
FRONT END DRIVE INPUT, ENGINE 1104D- 44TA



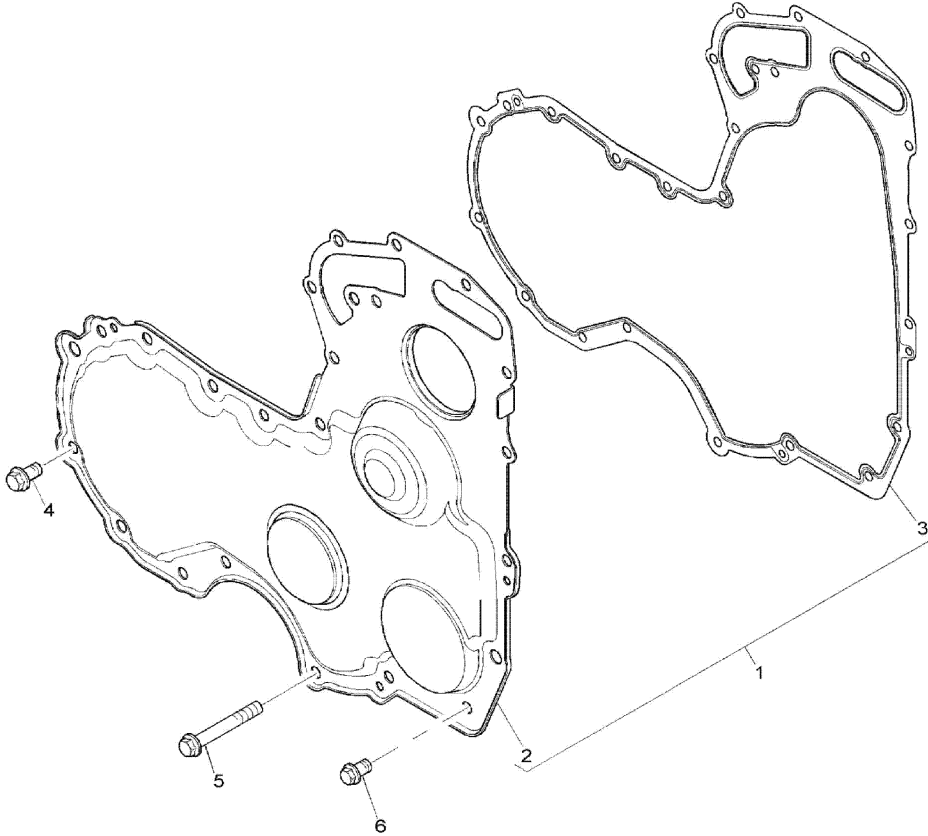
ZAMANLAMA DİŞLİSİ MUHAFAZASI (1), MOTOR 1104D- 44TA
TIMING CASE (1), ENGINE 1104D- 44TA



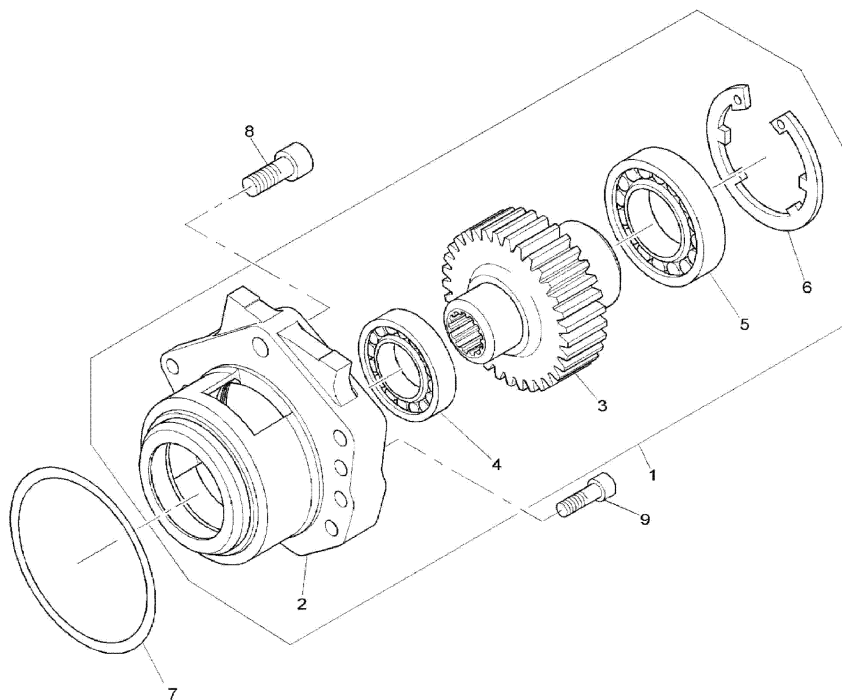
ZAMANLAMA DİŞLİSİ KAPAĞI (2), MOTOR 1104D- 44TA
TIMING CASE (2), ENGINE 1104D- 44TA



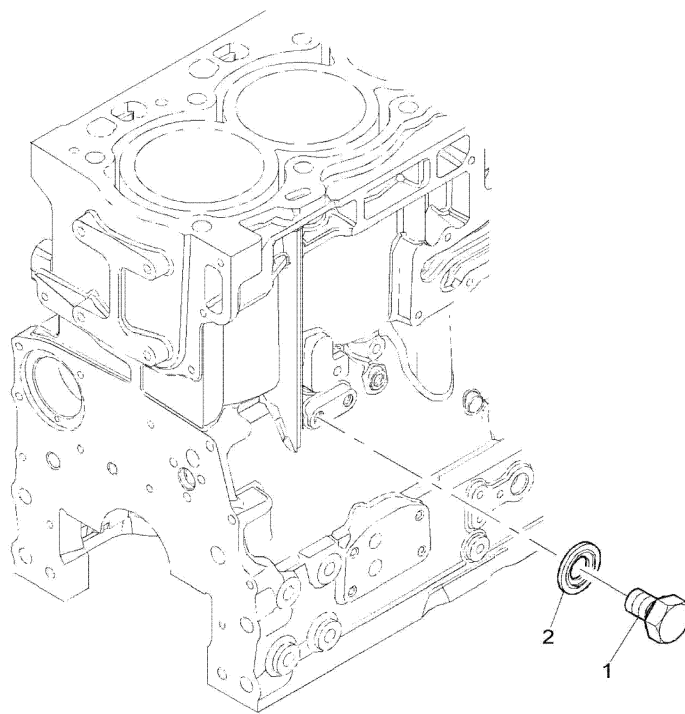
ZAMANLAMA DIŞLİSİ KAPAĞI (3), MOTOR 1104D- 44TA
TIMING COVER (3), ENGINE 1104D- 44TA



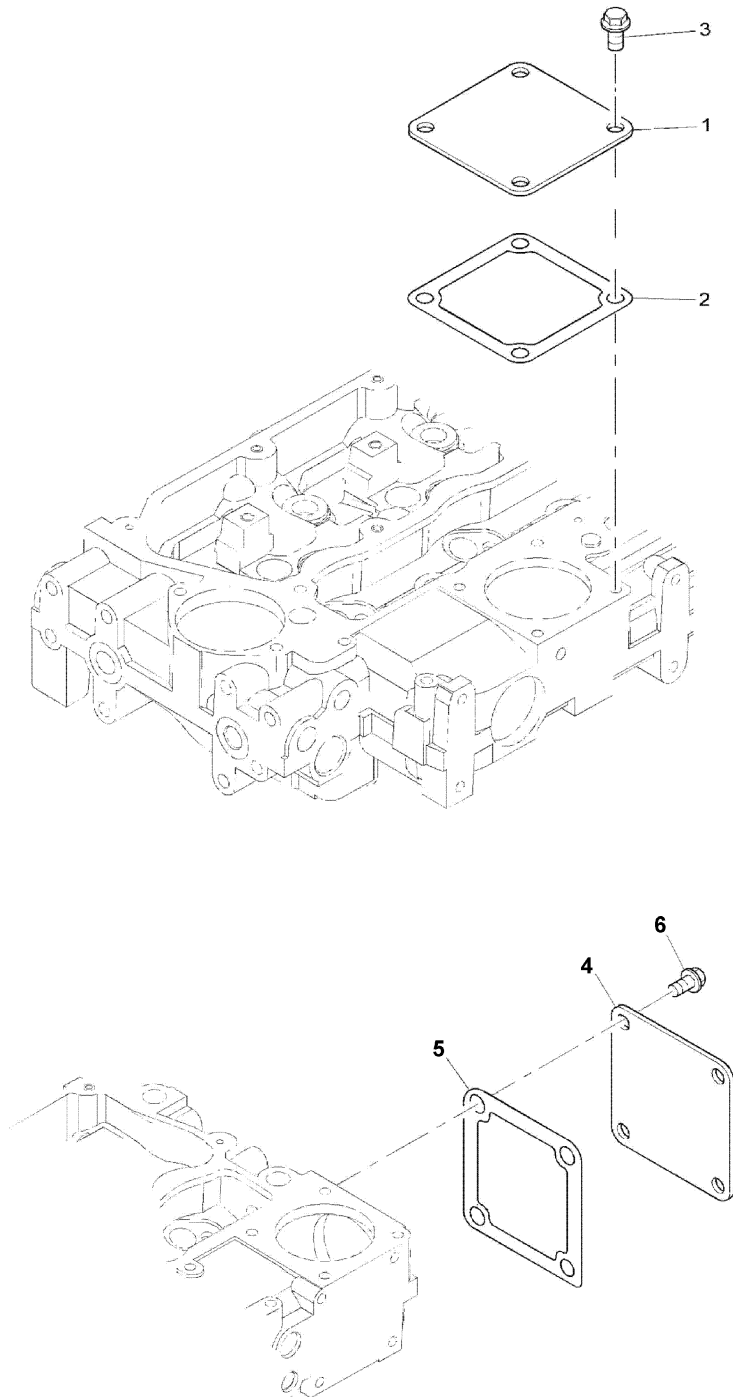
ADAPTÖR, MOTOR 1104D- 44TA
DRIVE ADAPTOR, ENGINE 1104D- 44TA



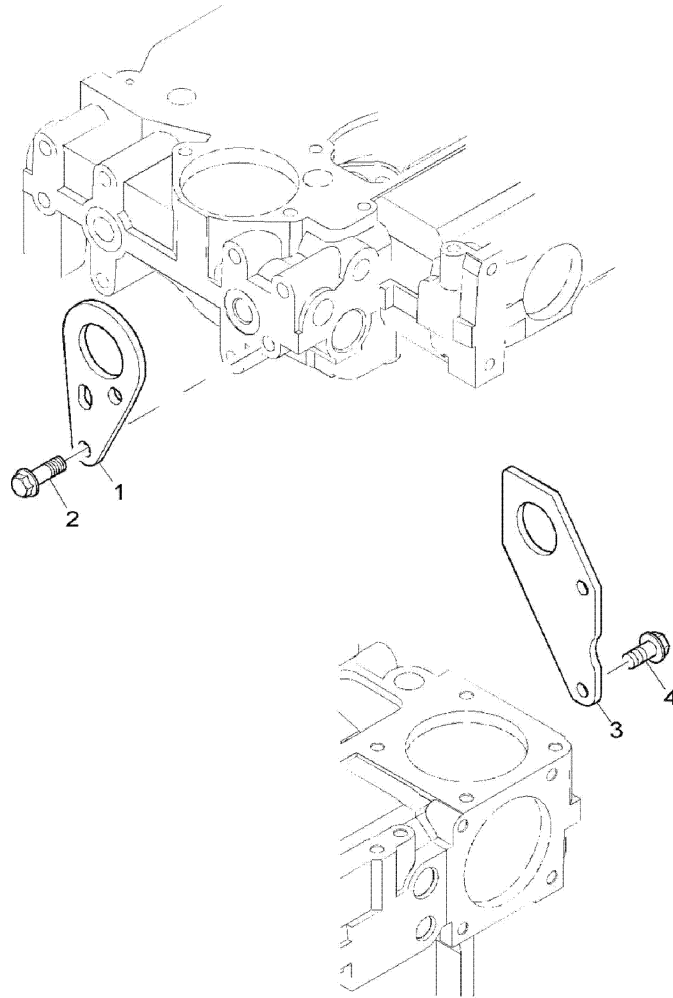
TAPA, MOTOR 1104D- 44TA
BLANKING PLUGS, ENGINE 1104D- 44TA



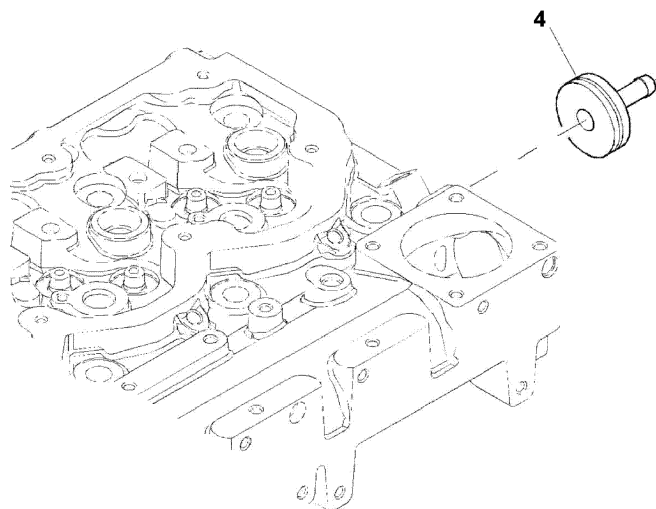
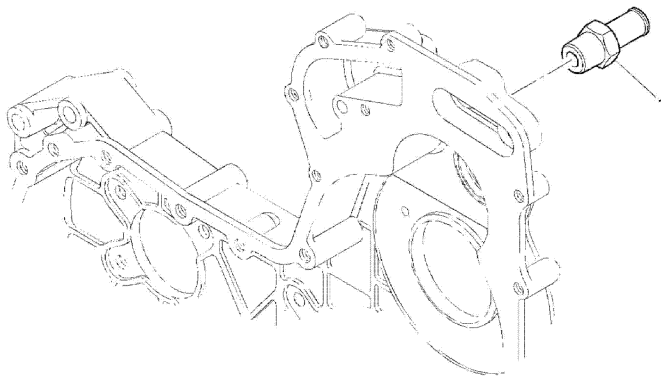
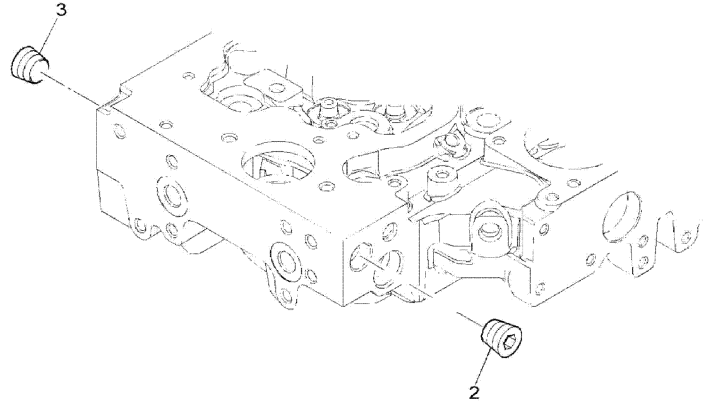
**KÖR KAPAK, MOTOR 1104D- 44TA
BLANKING PLATES, ENGINE 1104D- 44TA**



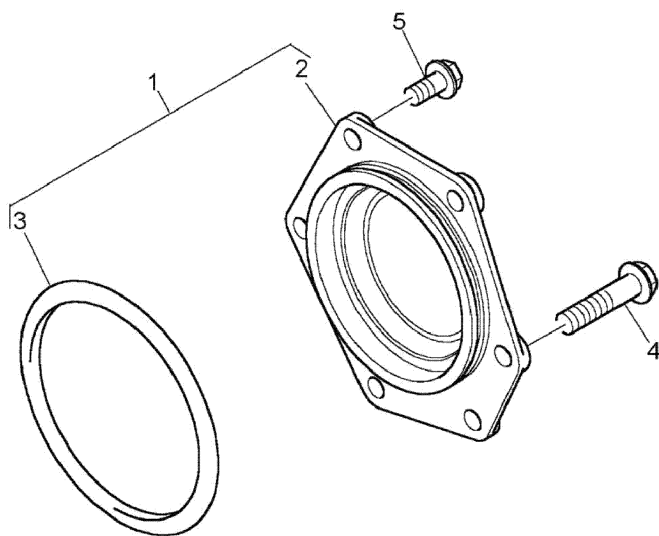
MOTOR KALDIRMA KULAKLARI, MOTOR 1104D- 44TA
ENGINE LIFTING EYES, ENGINE 1104D- 44TA



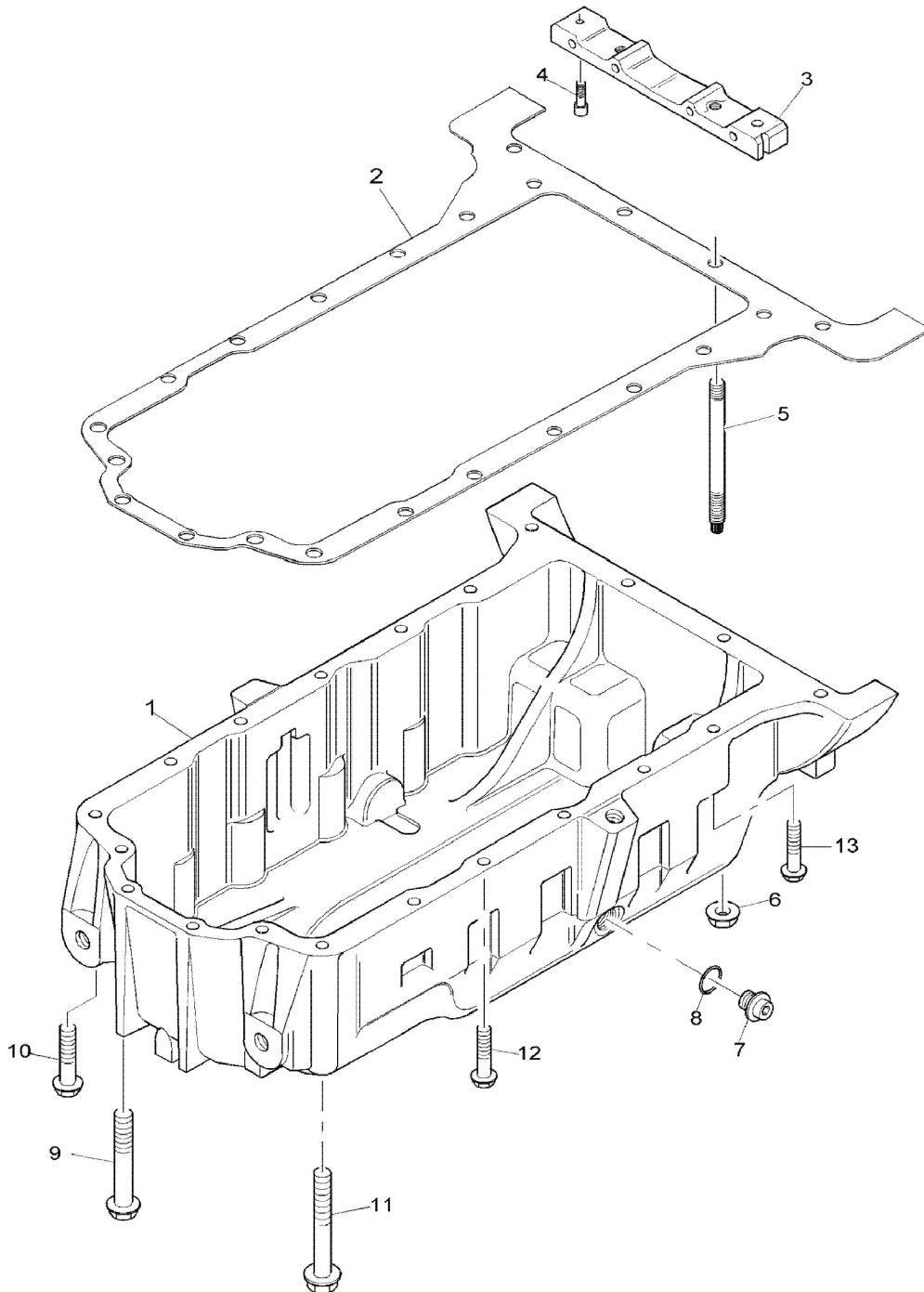
YARDIMCI DONANIMLAR, MOTOR 1104D- 44TA
MISCELLANEOUS & AUXILIARIES, ENGINE 1104D- 44TA



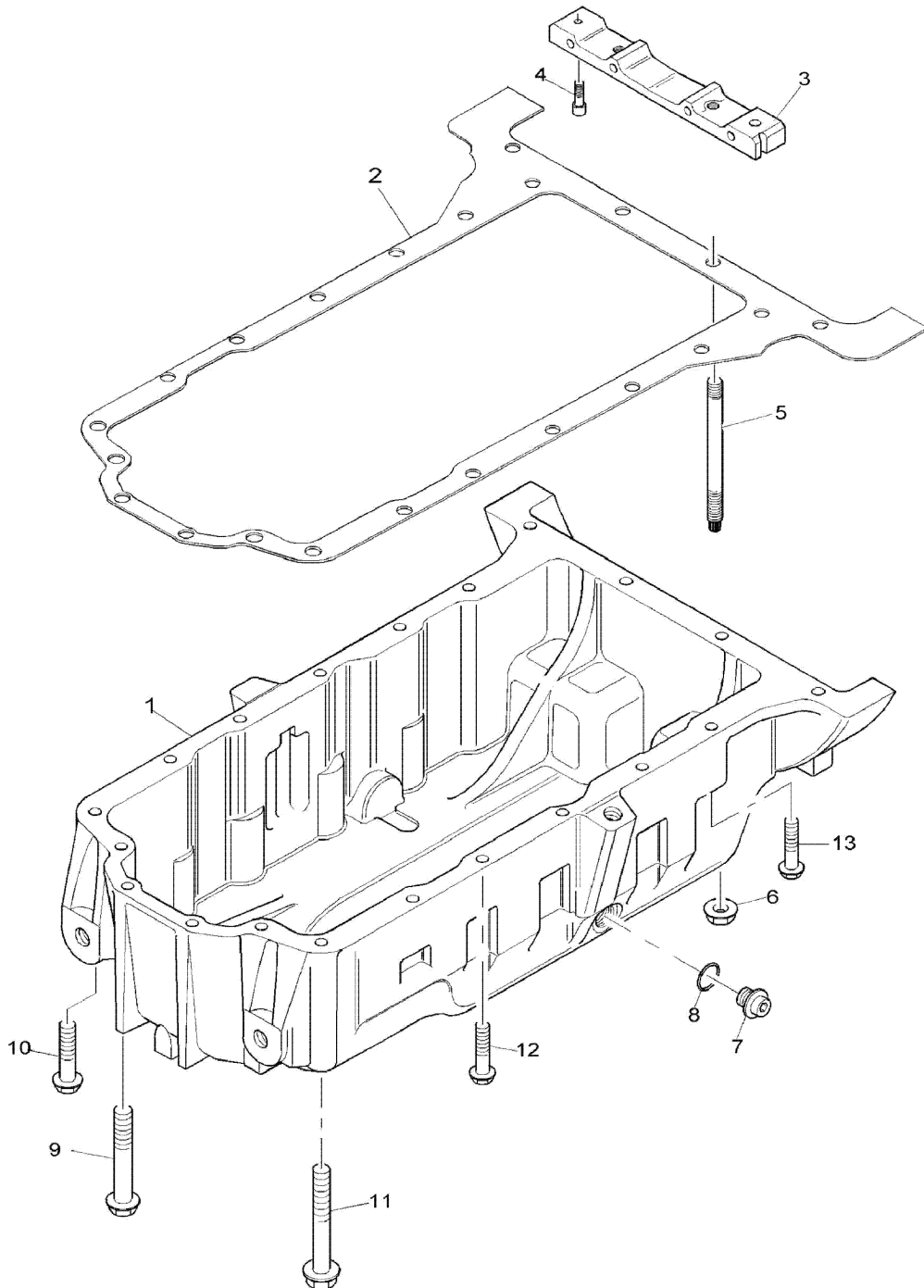
KÖR KAPAK, MOTOR 1104D- 44TA
BLANKING PLATES, ENGINE 1104D- 44TA



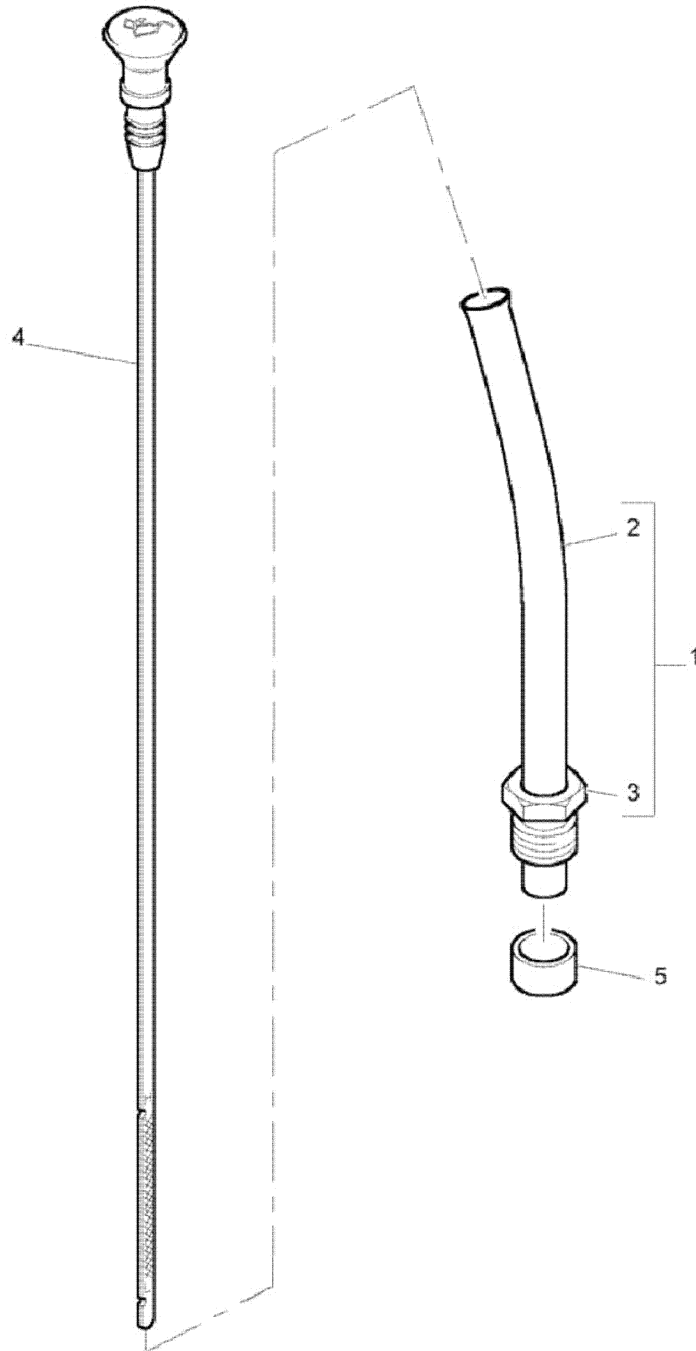
KARTER, MOTOR 1104D- 44TA
SUMP, ENGINE 1104D- 44TA



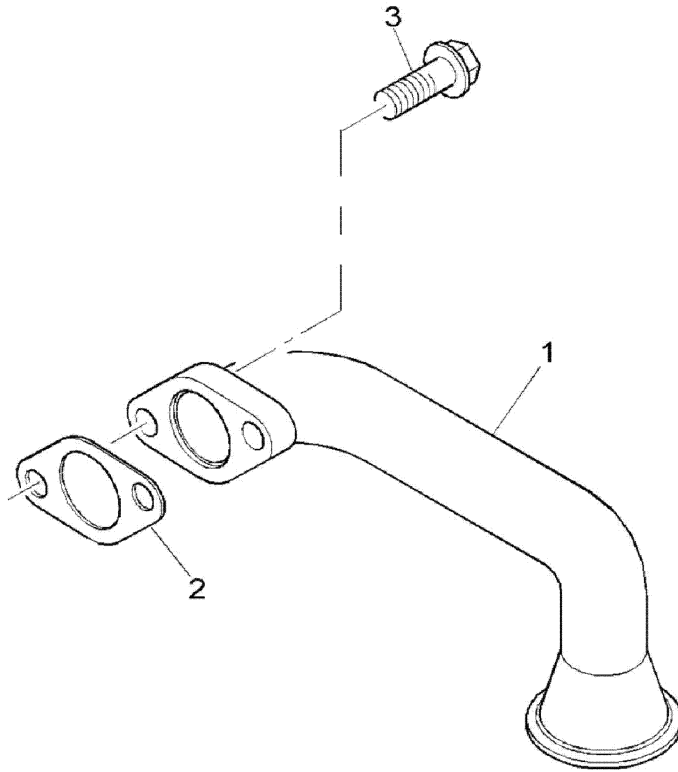
KARTER, MOTOR 1104D- 44TA
SUMP, ENGINE 1104D- 44TA



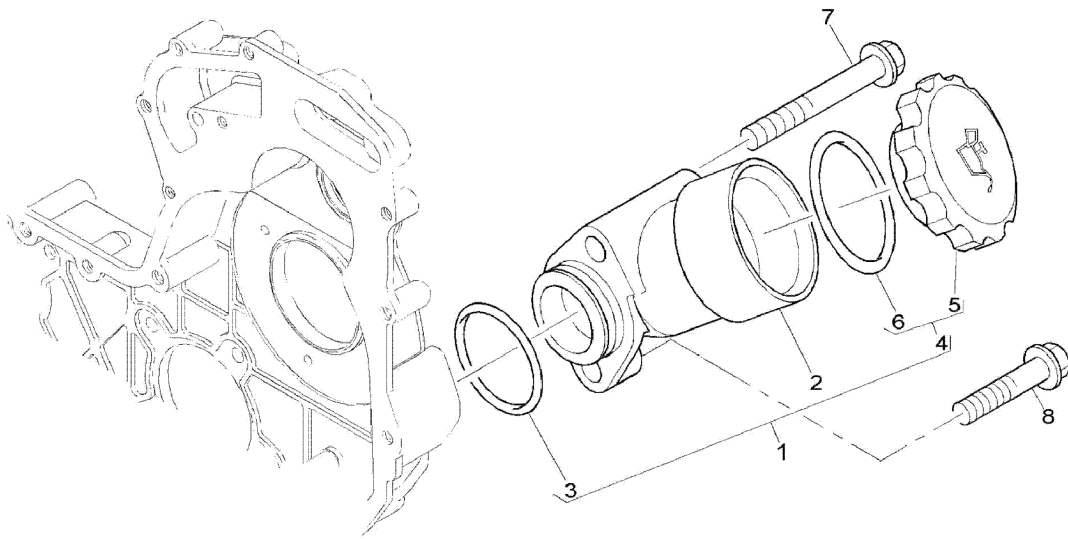
YAĞ KONTROL ÇUBUĞU BORUSU, MOTOR 1104D- 44TA
DIPSTICK & FILLER TUBE, ENGINE 1104D- 44TA



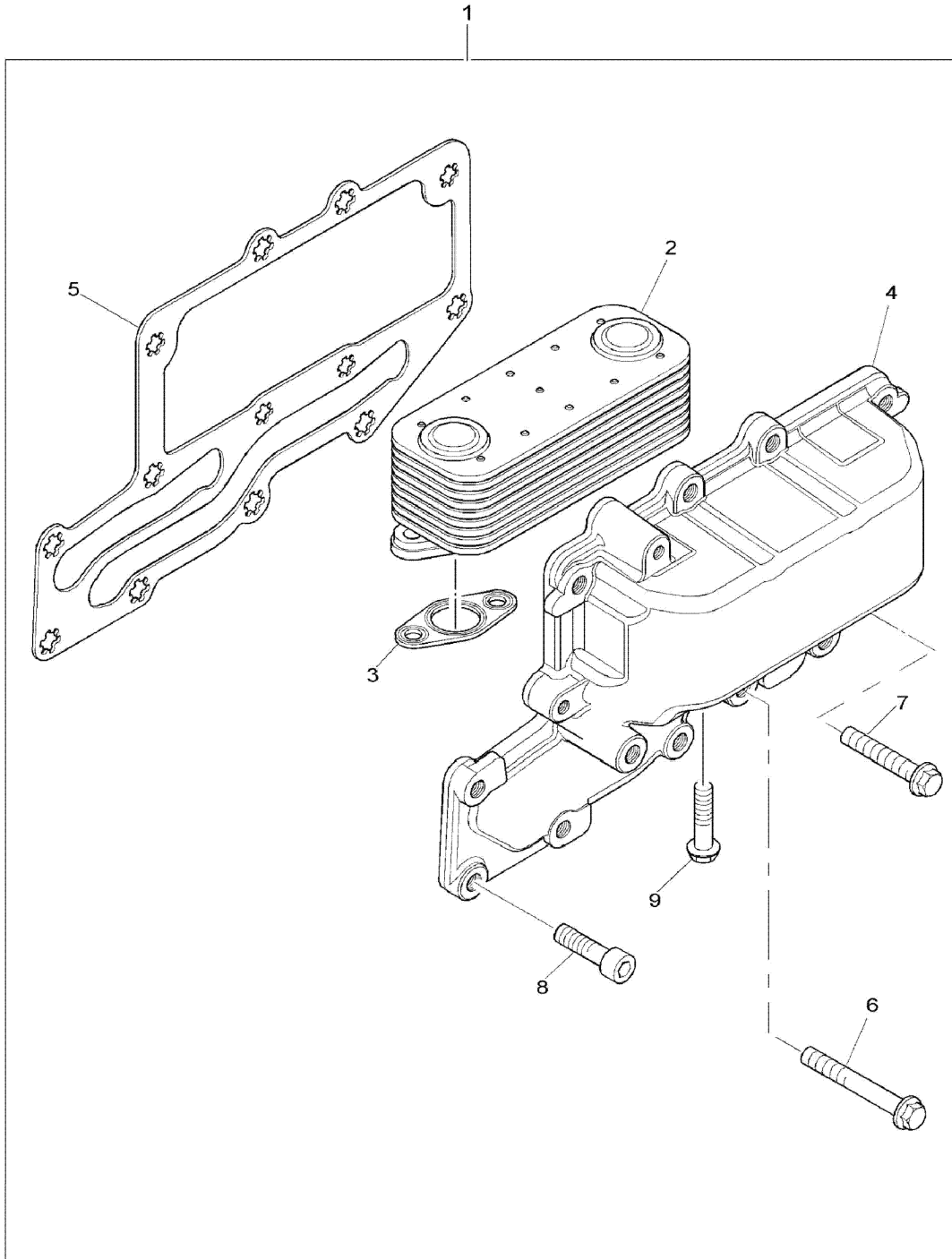
YAĞ EMİŞ BORUSU, MOTOR 1104D- 44TA
OIL STRAINER, ENGINE 1104D- 44TA



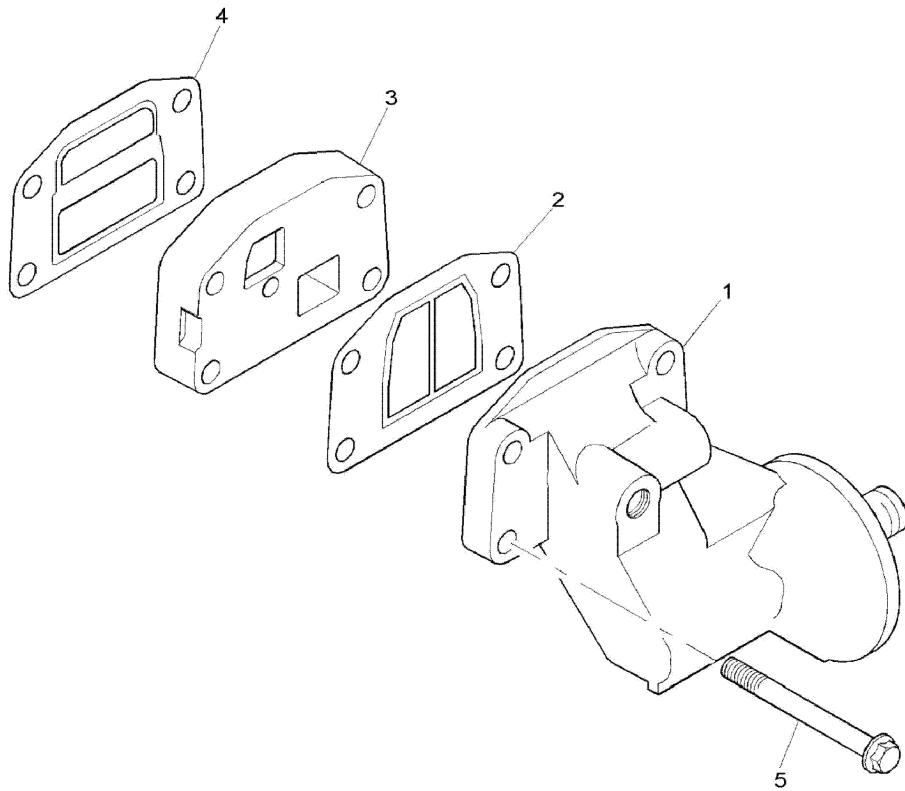
YAĞ DOLDURMA BORUSU, MOTOR 1104D- 44TA
FILLER, ENGINE 1104D- 44TA



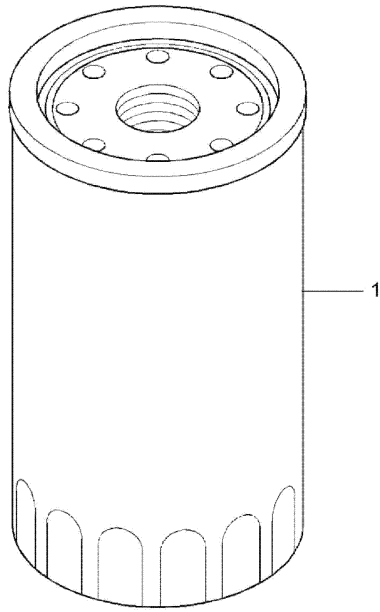
YAĞ SOĞUTUCU, MOTOR 1104D- 44TA
OIL COOLER, ENGINE 1104D- 44TA



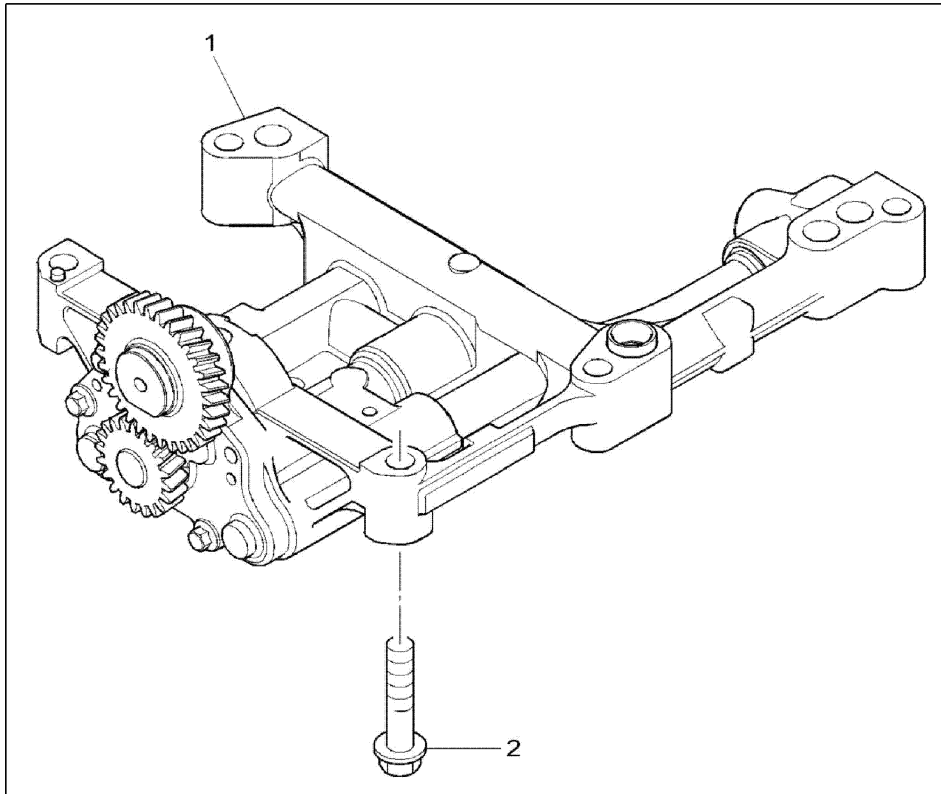
YAĞ FİLTRESİ, MOTOR 1104C-44TA
OIL FILTER, ENGINE 1104C-44T



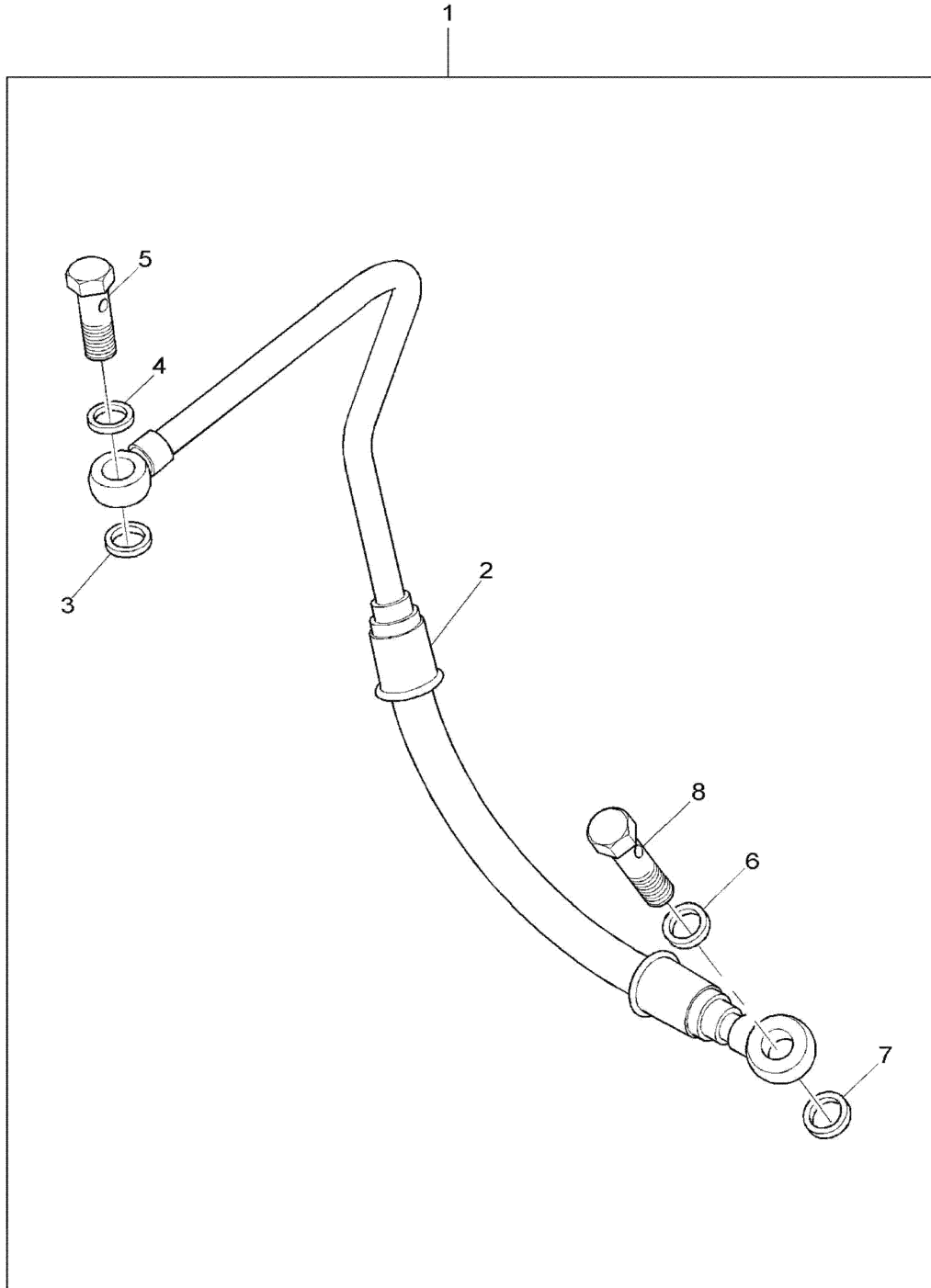
YAĞ FİLTRESİ, MOTOR 1104D- 44TA
REMOTE LUBRICATING OIL FILTER, ENGINE 1104D- 44TA



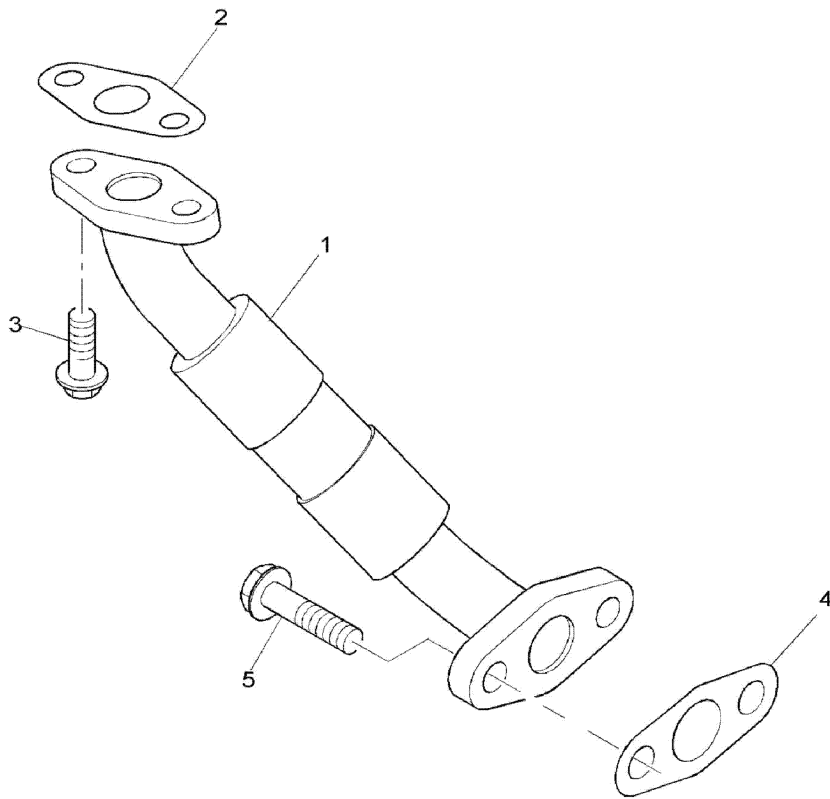
YAĞ POMPASI, MOTOR 1104D- 44TA
LUBRICATING OIL PUMP & DELIVERY HOUSING, ENGINE 1104D- 44TA



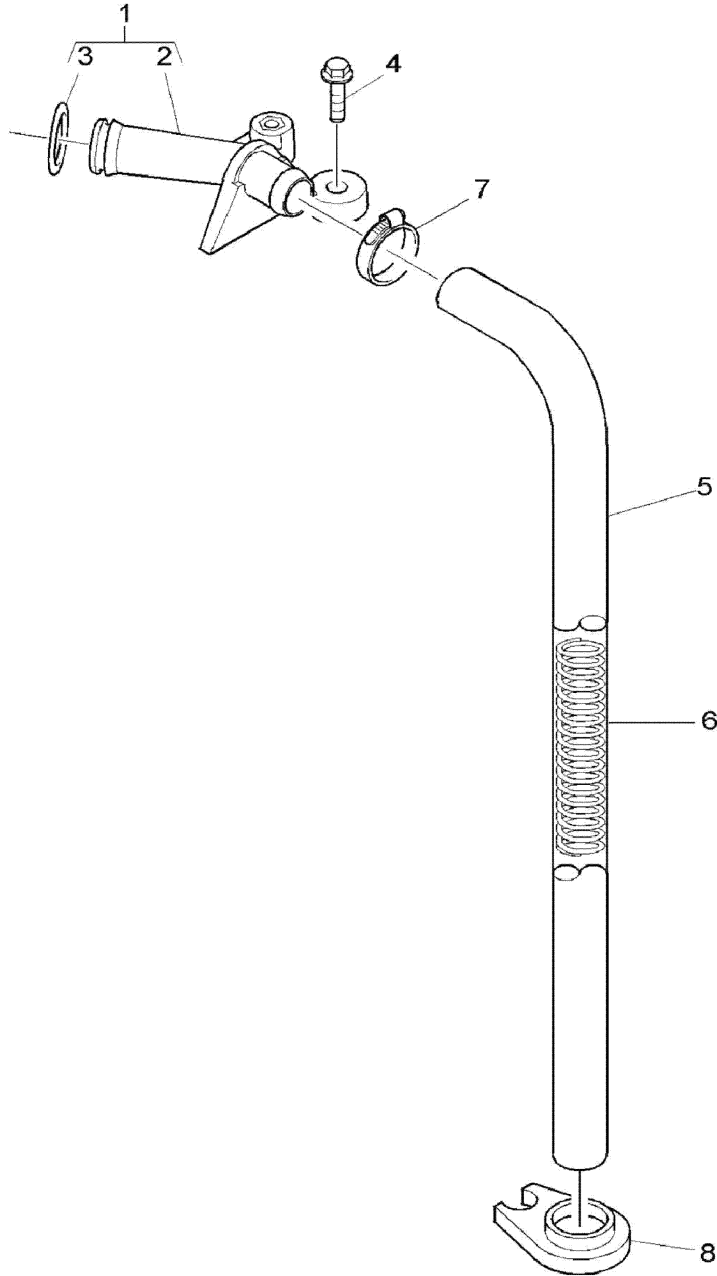
BESLEME BORUSU, MOTOR 1104D- 44TA
FEED PIPES, ENGINE 1104D- 44TA



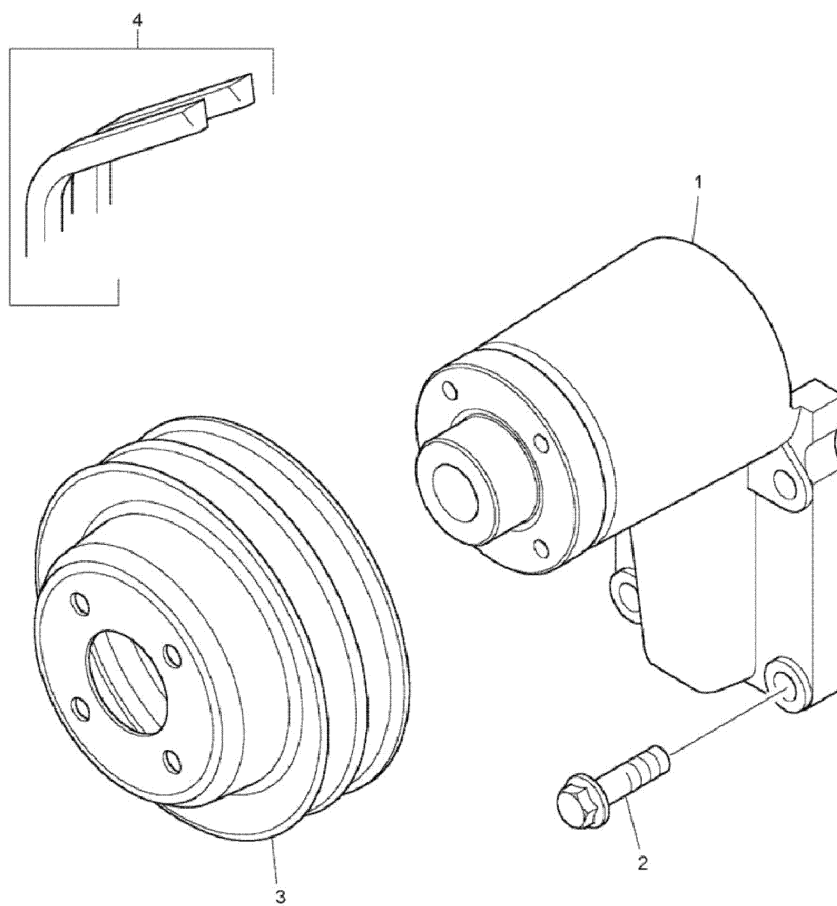
SIZINTI BORUSU, MOTOR 1104D- 44TA
LEAK-OFF PIPES, ENGINE 1104D- 44TA



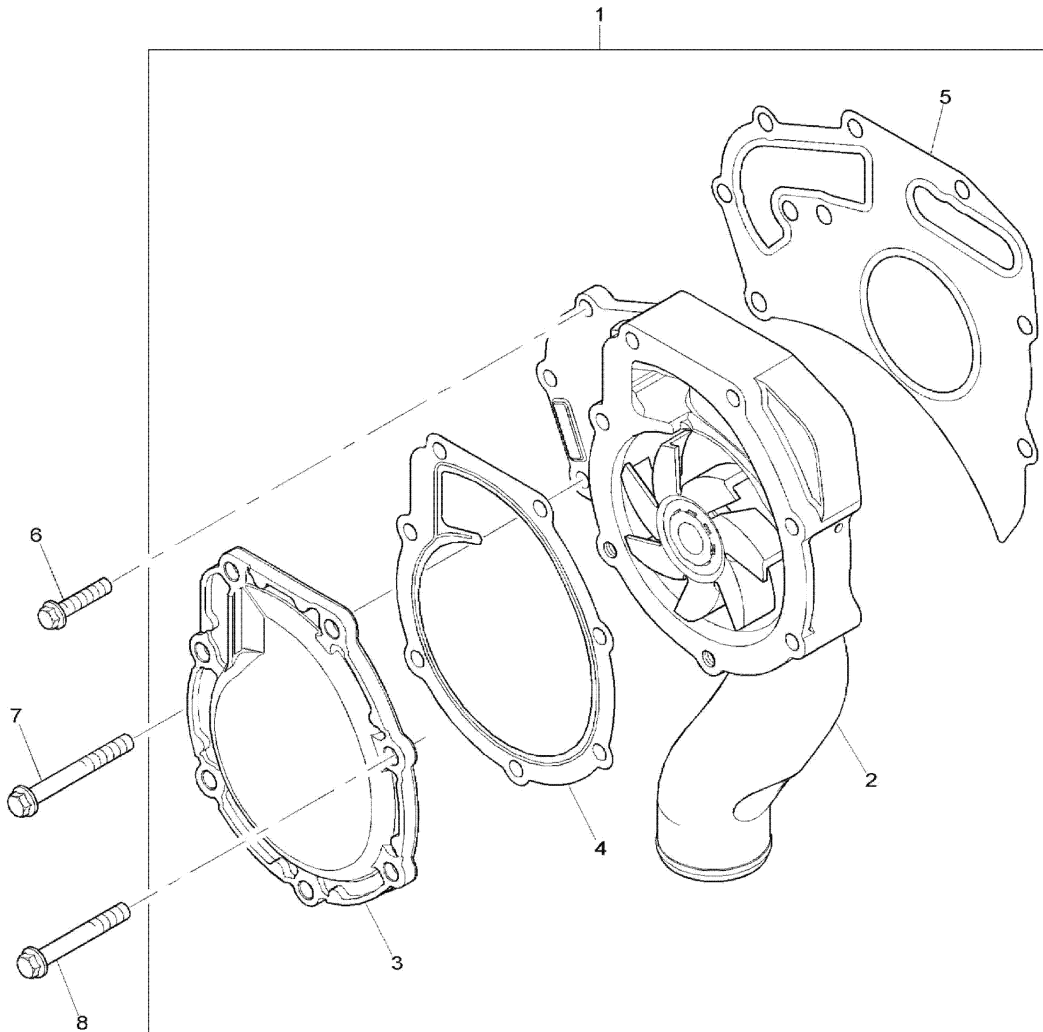
HAVALANDIRMA SİSTEMİ, MOTOR 1104D- 44TA
BREATHER, ENGINE 1104D- 44TA



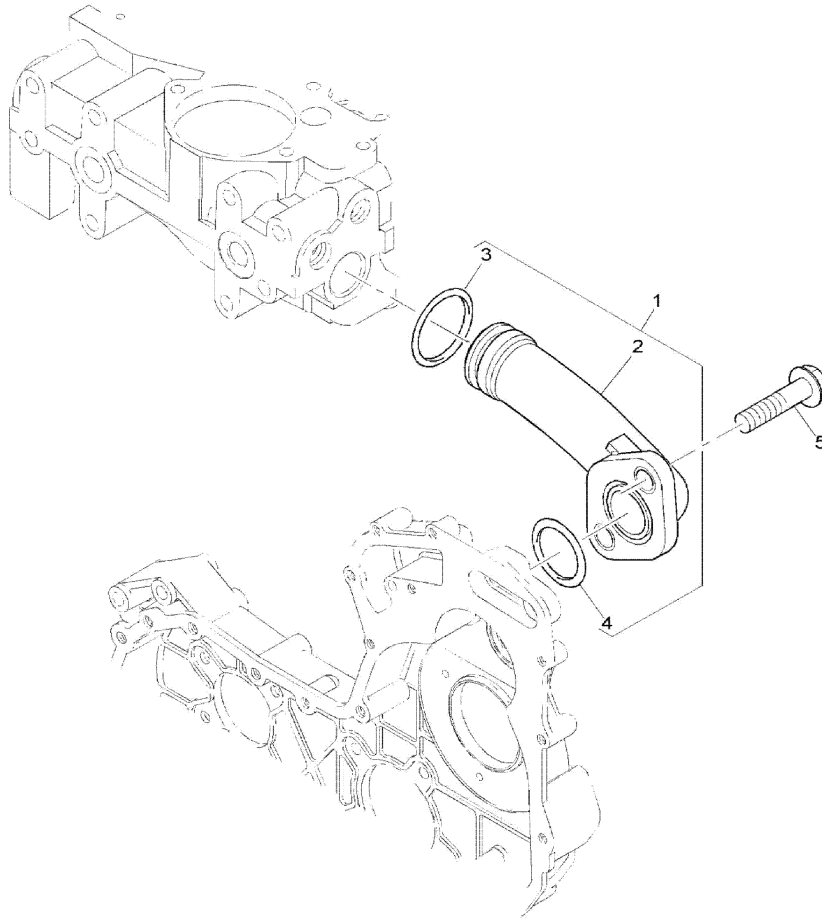
FAN KASNAŽI , MOTOR 1104D- 44TA
FAN DRIVE, ENGINE 1104D- 44TA

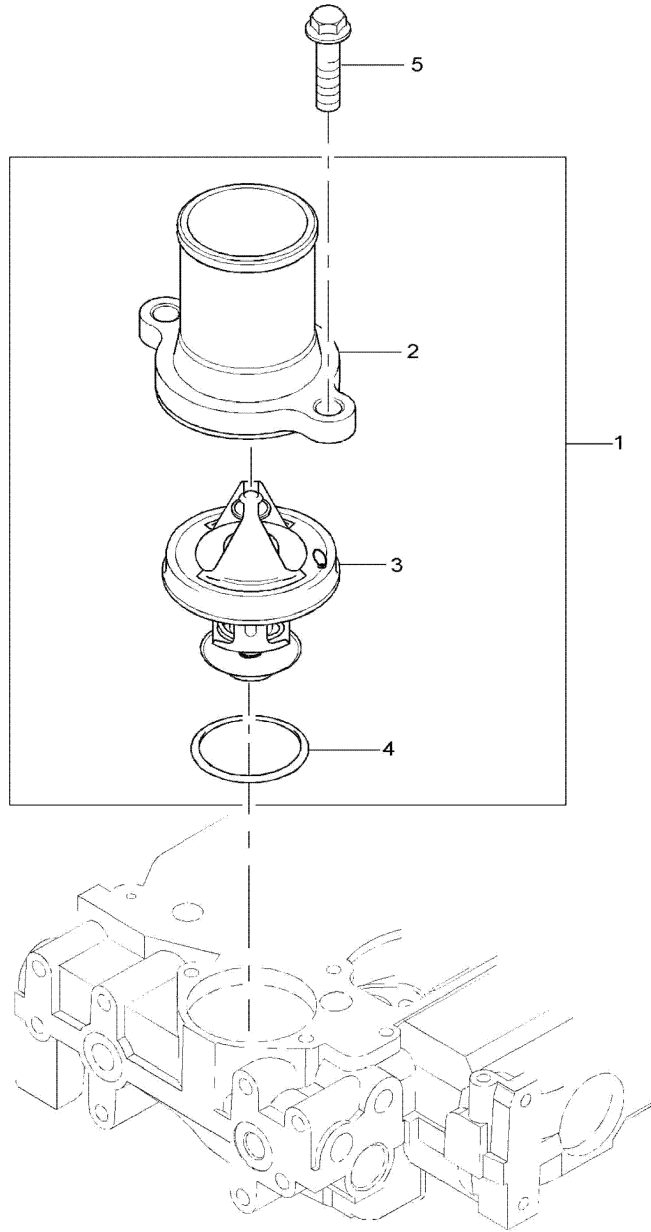


SU DEVİRDAİM POMPASI, MOTOR 1104D- 44TA
WATER PUMP, ENGINE 1104D- 44TA

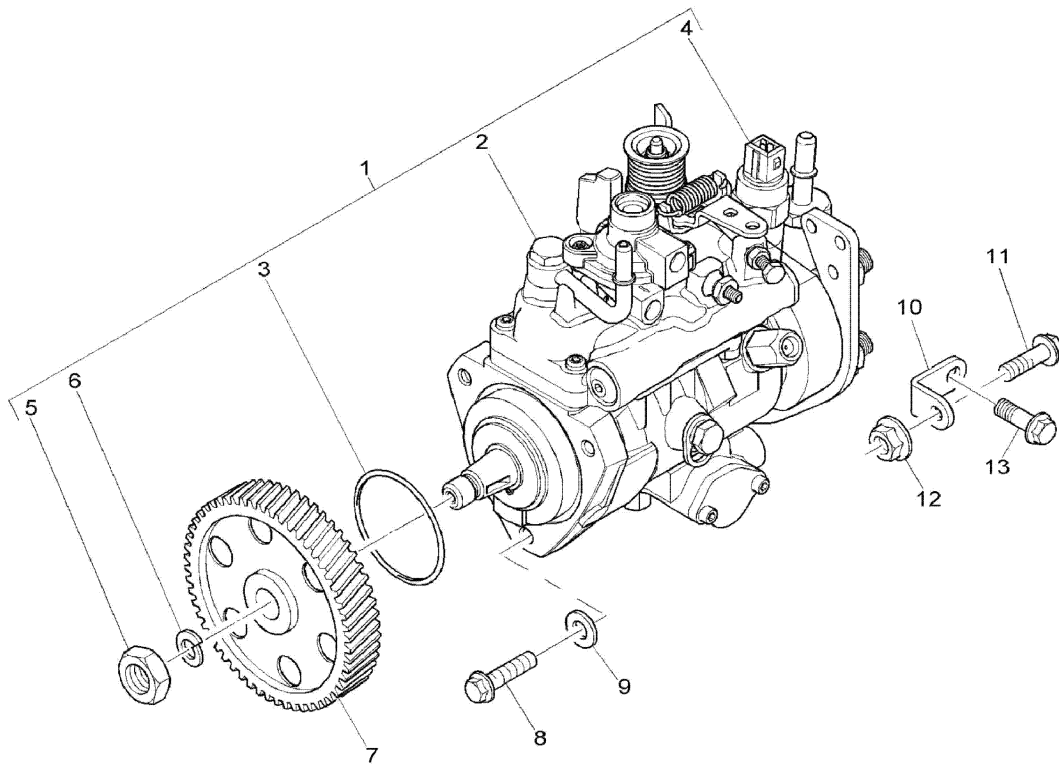


BAĞLANTI BORULARI, MOTOR 1104D- 44TA
PIPES, ENGINE 1104D- 44TA

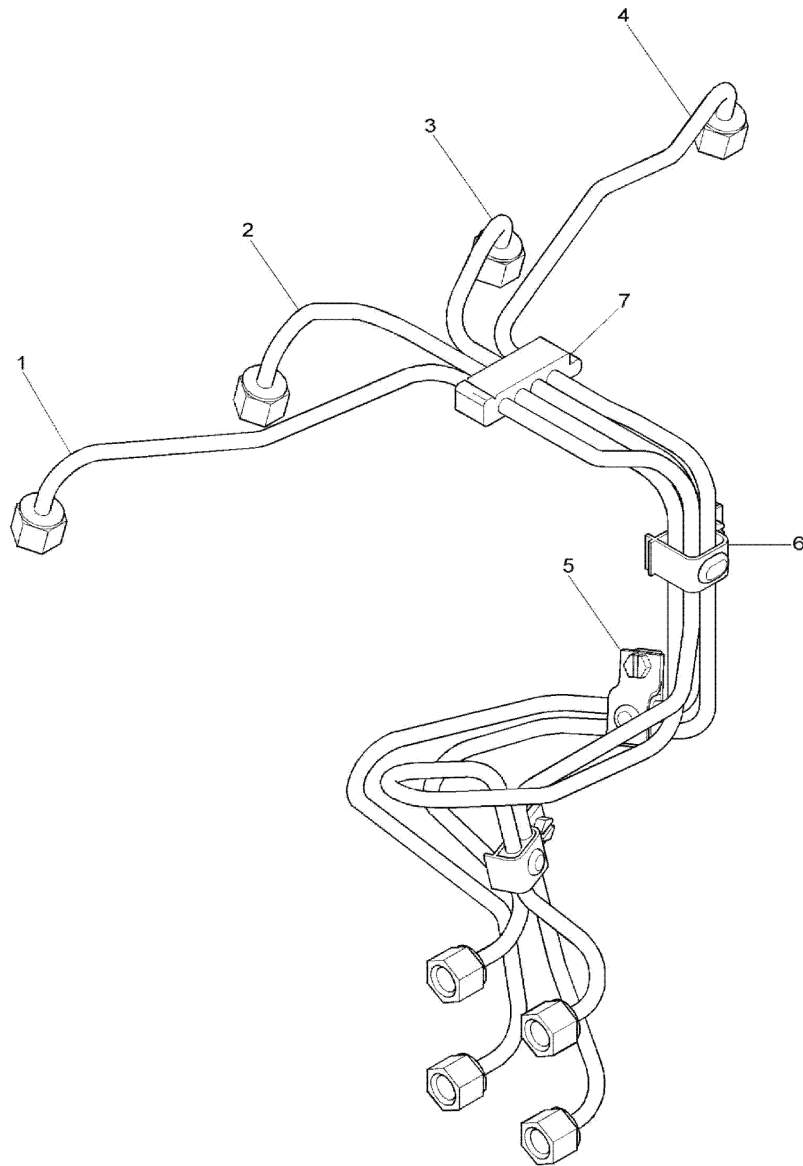


**TERMOSTAT VE KAPAĞI, MOTOR 1104D- 44TA
WATER OUTLET HOUSING, ENGINE 1104D- 44TA**

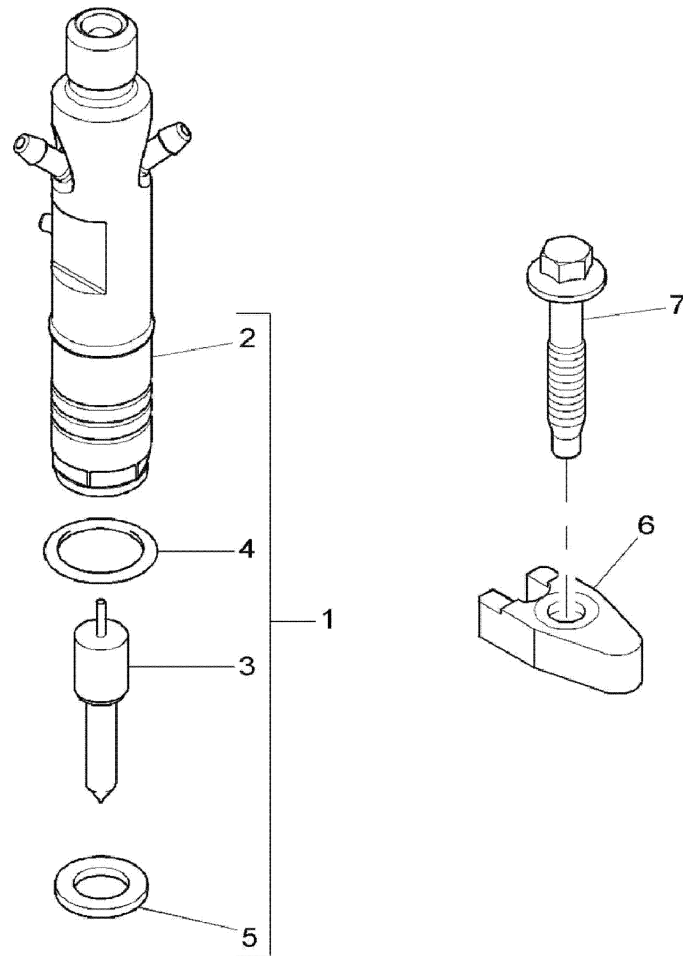
YAKIT PÜSKÜRTME POMPASI, MOTOR 1104D- 44TA
FUEL INJECTION PUMP, ENGINE 1104D- 44TA



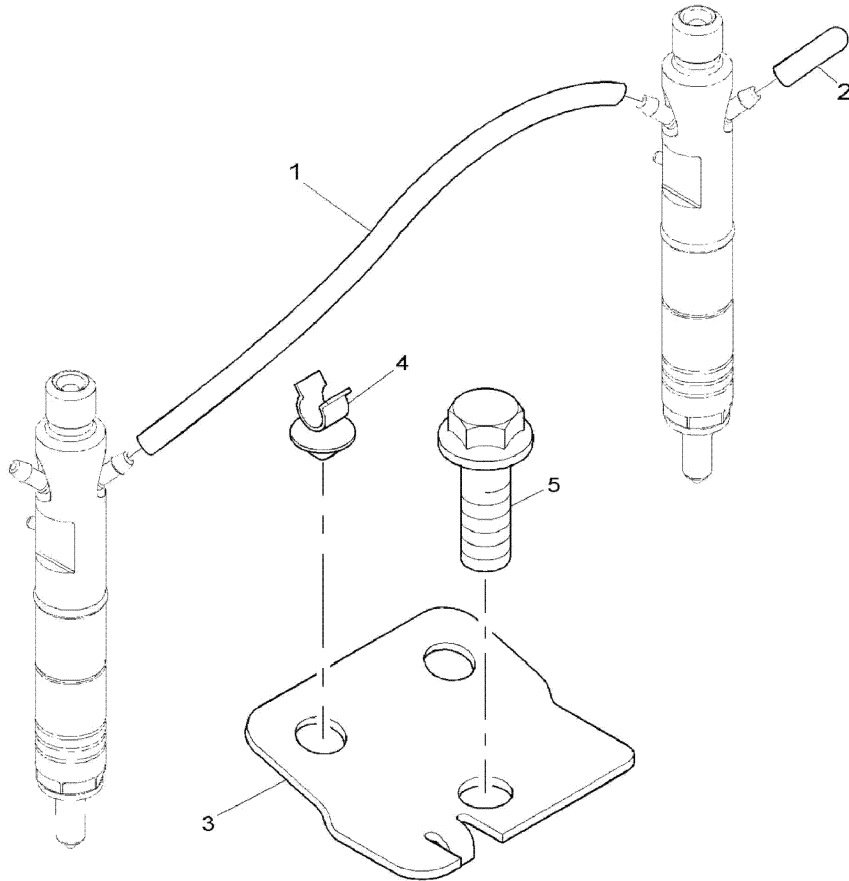
YAKIT BORULARI, MOTOR 1104D- 44TA
HIGH PRESSURE FUEL PIPES, ENGINE 1104D- 44TA



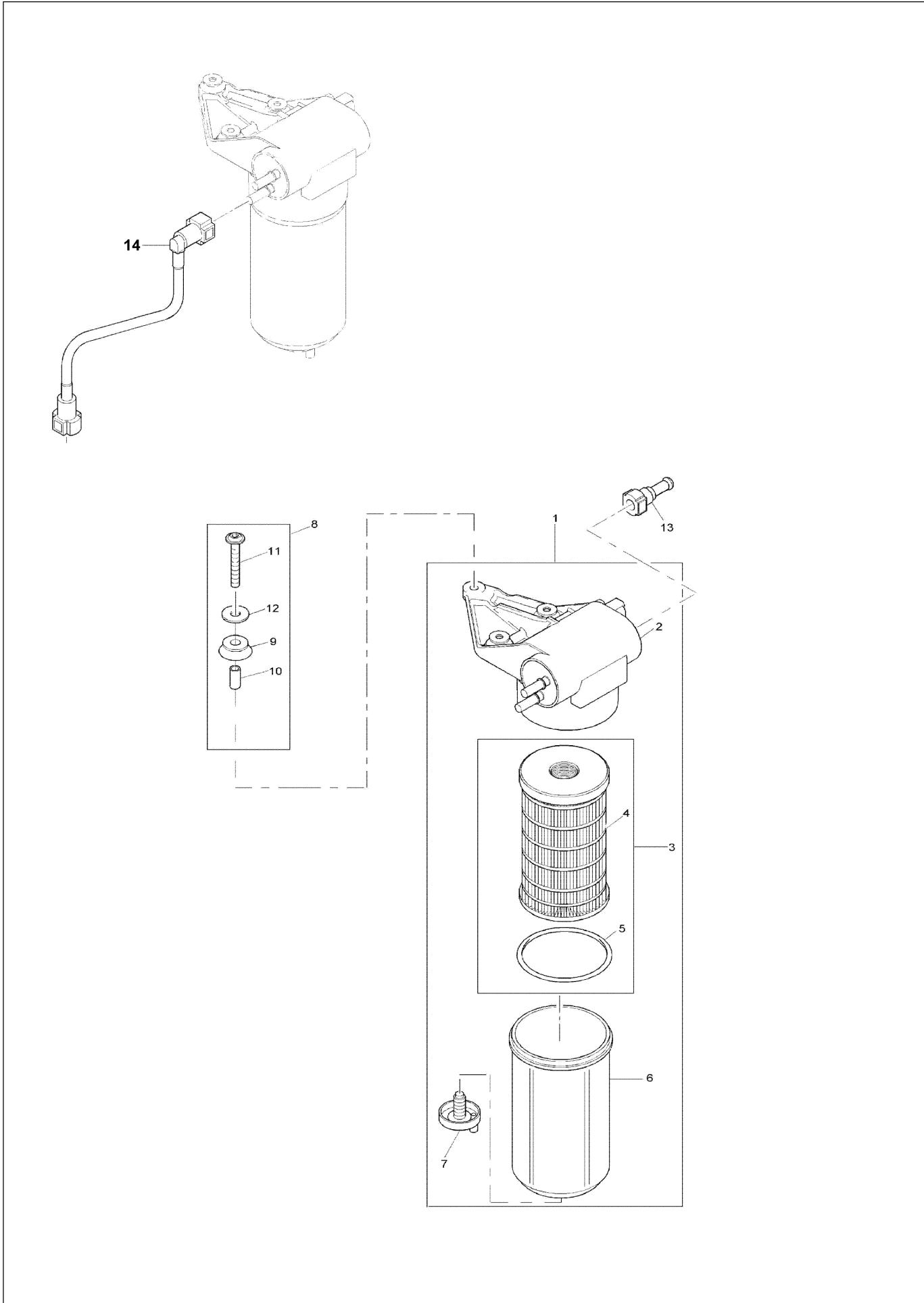
ENJEKTÖRLER, MOTOR 1104D- 44TA
ATOMISERS, ENGINE 1104D- 44TA



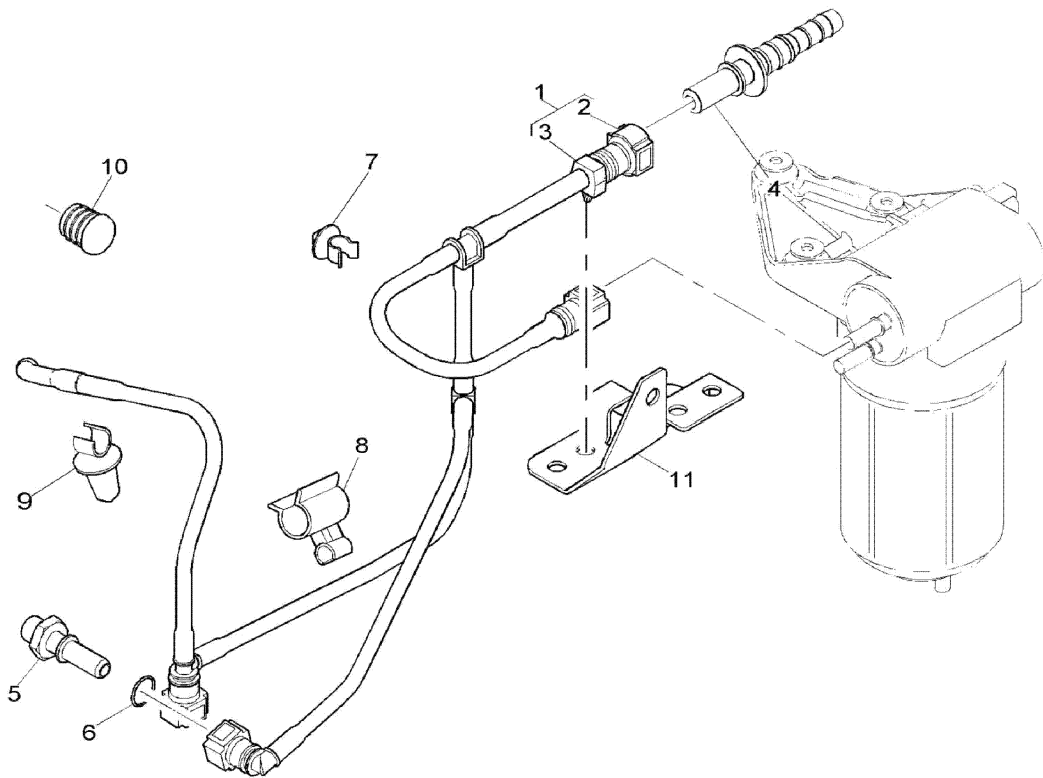
YAKIT SIZINTI BORUSU, MOTOR 1104D-44TA
FUEL LEAK-OFF PIPE, ENGINE 1104D-44TA



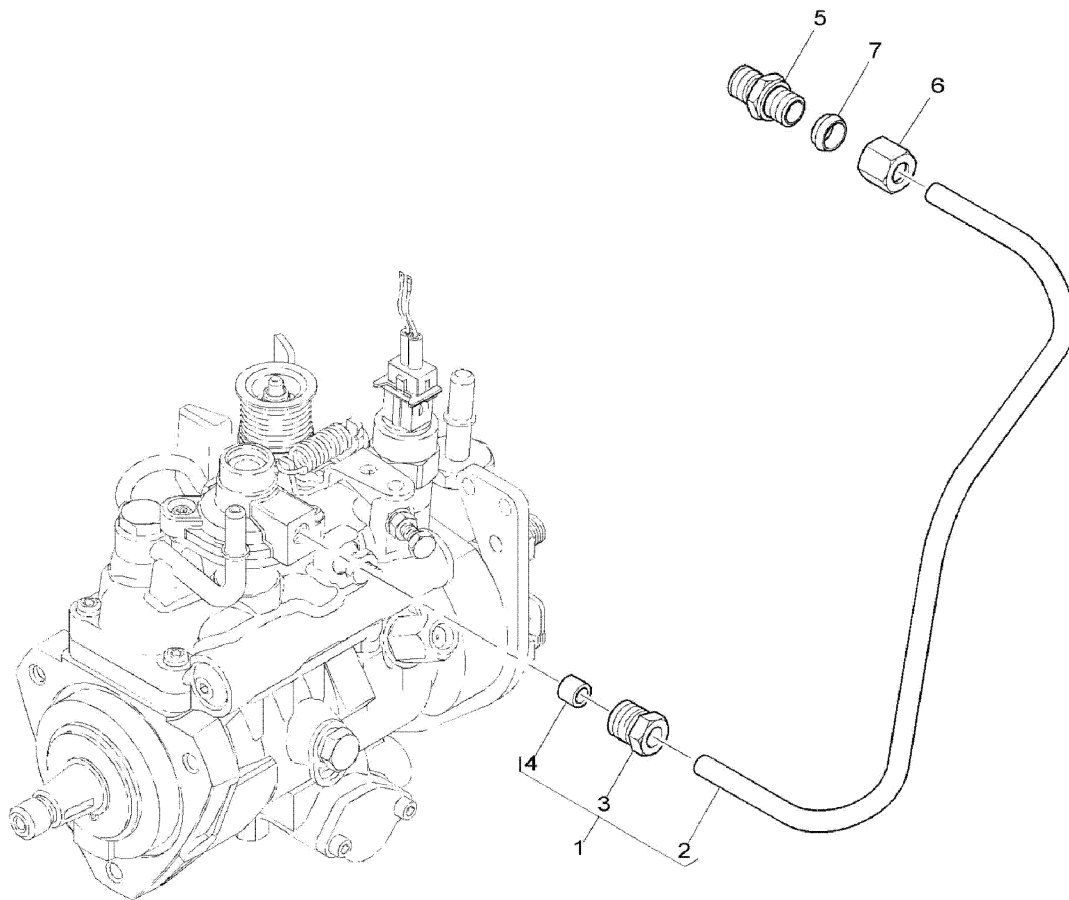
**YAKIT TRANSFER POMPASI, MOTOR 1104D- 44TA
LIFT PUMP, ENGINE 1104D- 44TA**



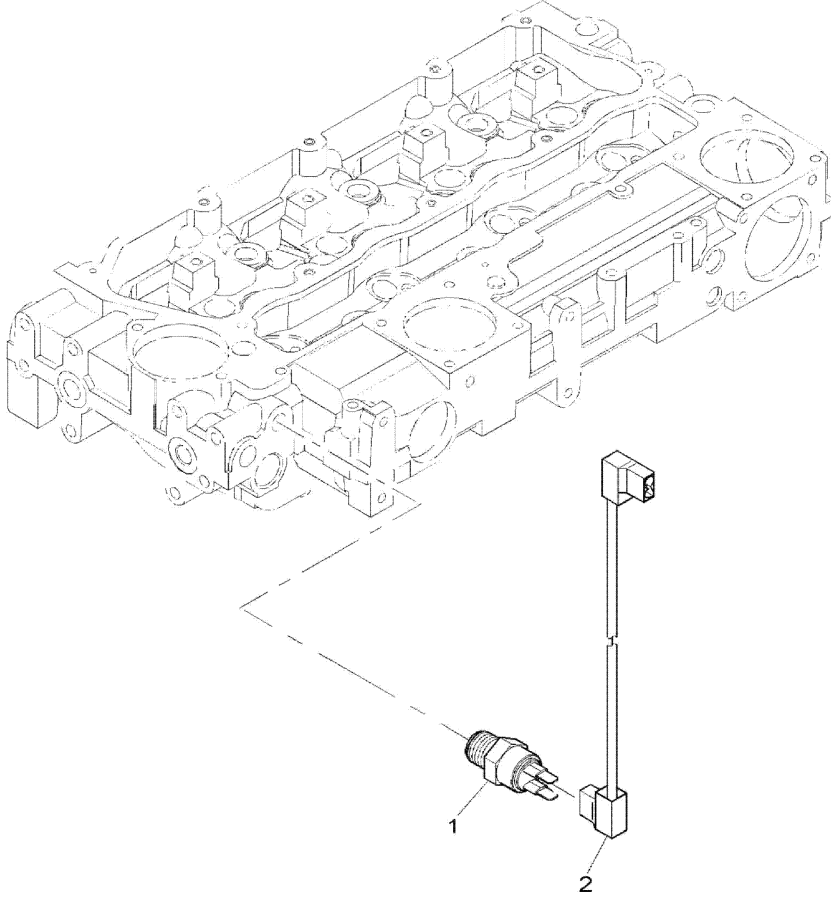
PÜSKÜRTME POMPASI BORUSU, MOTOR 1104D- 44TA
INJECTION PUMP TO FILTER PIPE, ENGINE 1104D- 44TA



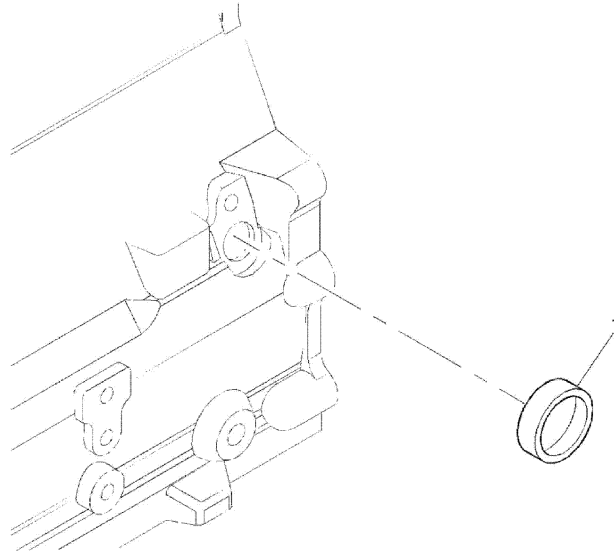
YAKIT BESLEME KONTROL BORUSU, MOTOR 1104D- 44TA
BOOST CONTROL PIPE, ENGINE 1104D- 44TA



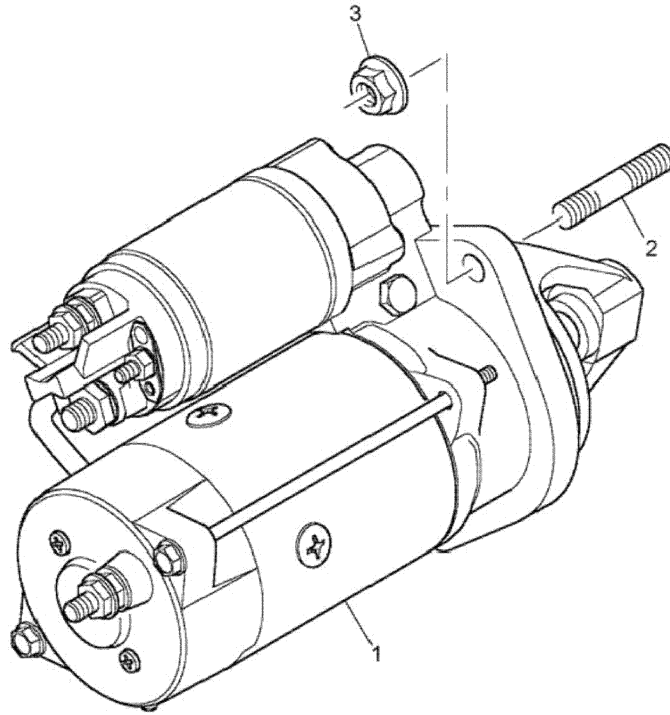
SOĞUK ÇALIŞTIRMA MÜŞÜRÜ, MOTOR 1104D- 44TA
PICK-UP SENSOR, ENGINE 1104D- 44TA



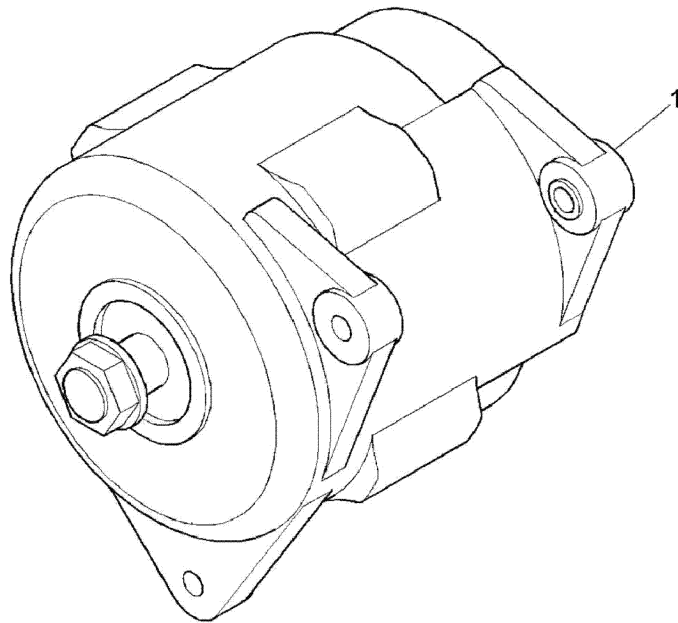
**İLK HAREKET MÜŞÜRÜ, MOTOR 1104D- 44TA
PICK-UP SENSOR, ENGINE 1104D- 44TA**



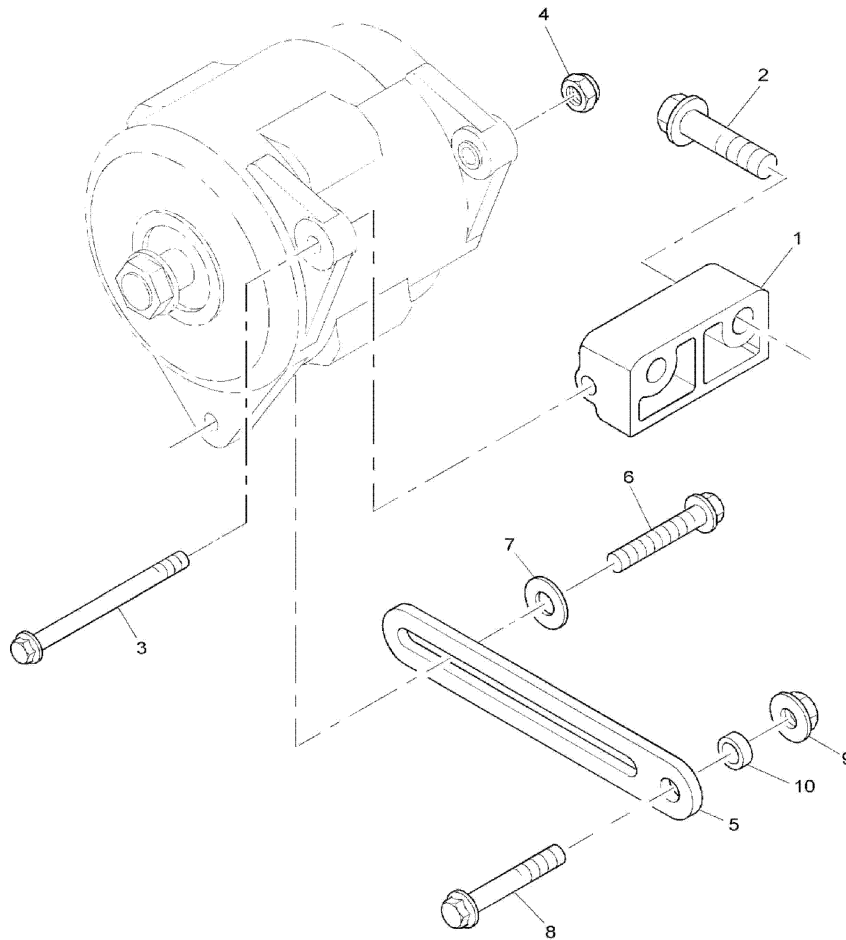
MARŞ MOTORU, MOTOR 1104D- 44TA
STARTER MOTOR, ENGINE 1104D- 44TA



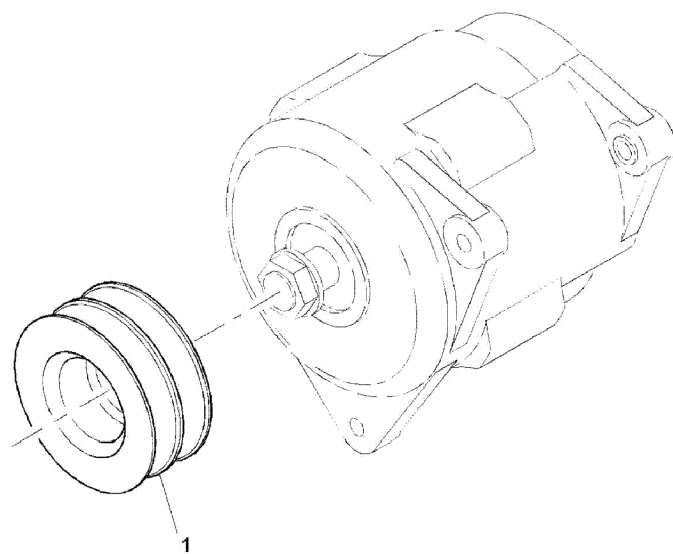
ALTERNATÖR, MOTOR 1104D- 44TA
ALTERNATOR, MOTOR 1104D- 44TA



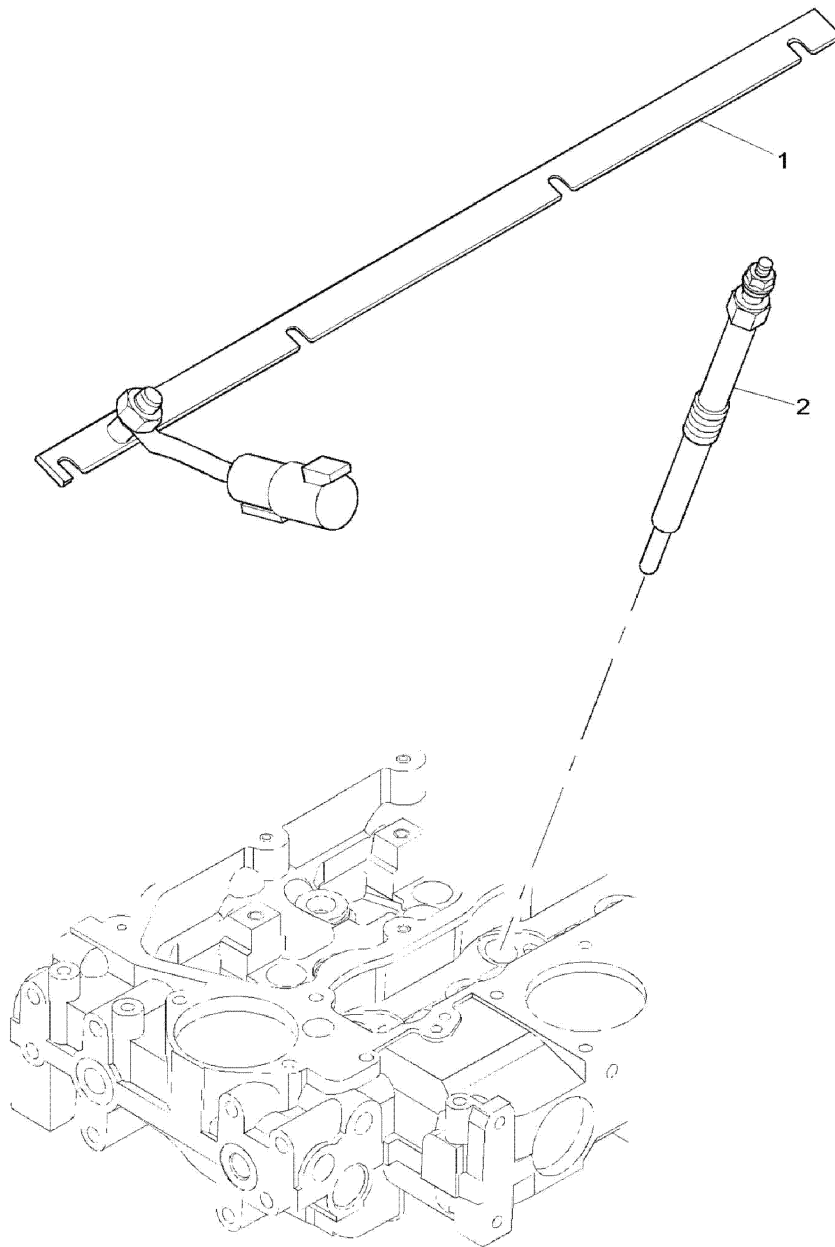
ALTERNATÖR BAĞLANTILARI, MOTOR 1104D- 44TA
ALTERNATOR BRACKET & FIXINGS, ENGINE 1104D- 44TA



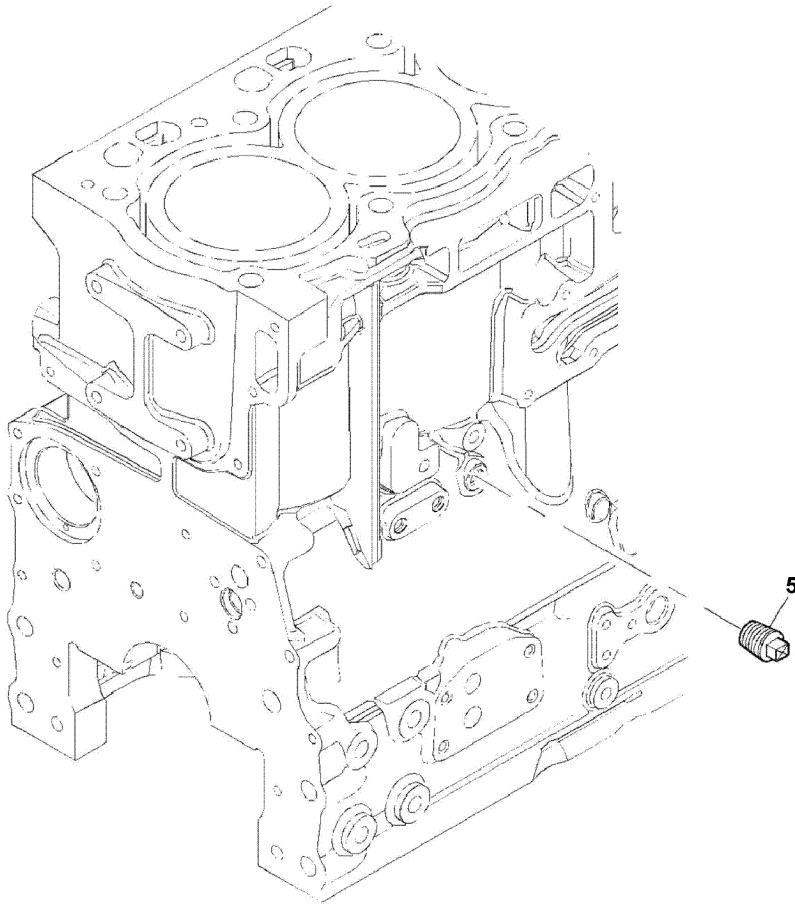
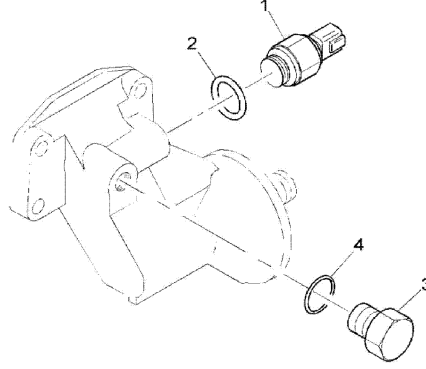
ALTERNATÖR KASNAĞI, MOTOR 1104D- 44TA
PULLEYS, ENGINE 1104D- 44TA



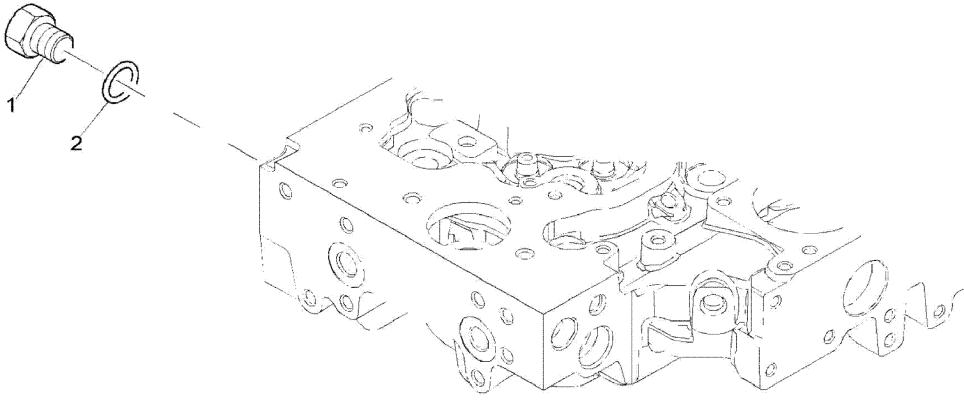
**ISITMA BUJISI, MOTOR 1104C-44TA
HEATER PLUGS, ENGINE 1104C-44TA**



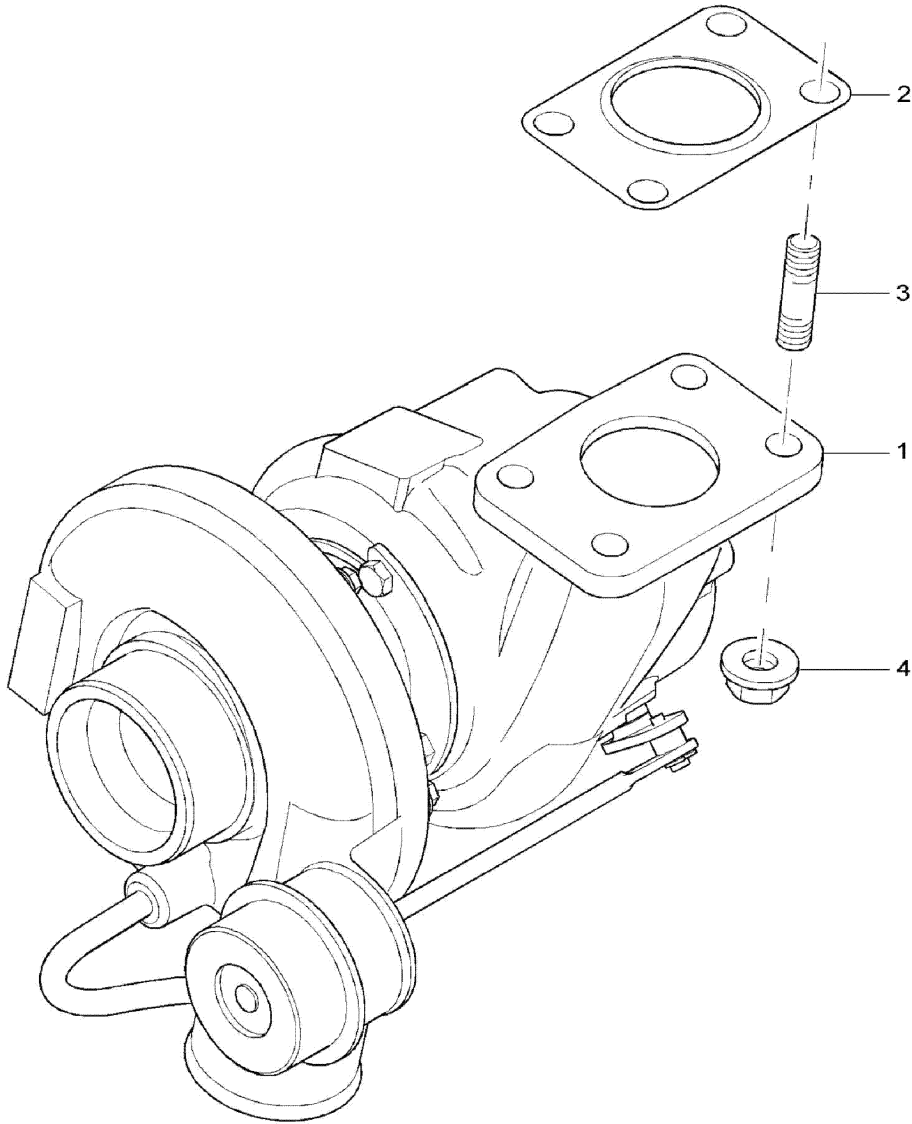
YAĞ BASINÇ MÜŞÜRÜ, MOTOR 1104D- 44TA
LUBRICATION OIL PRESSURE SWITCHGAUGE, ENGINE 1104D- 44TA



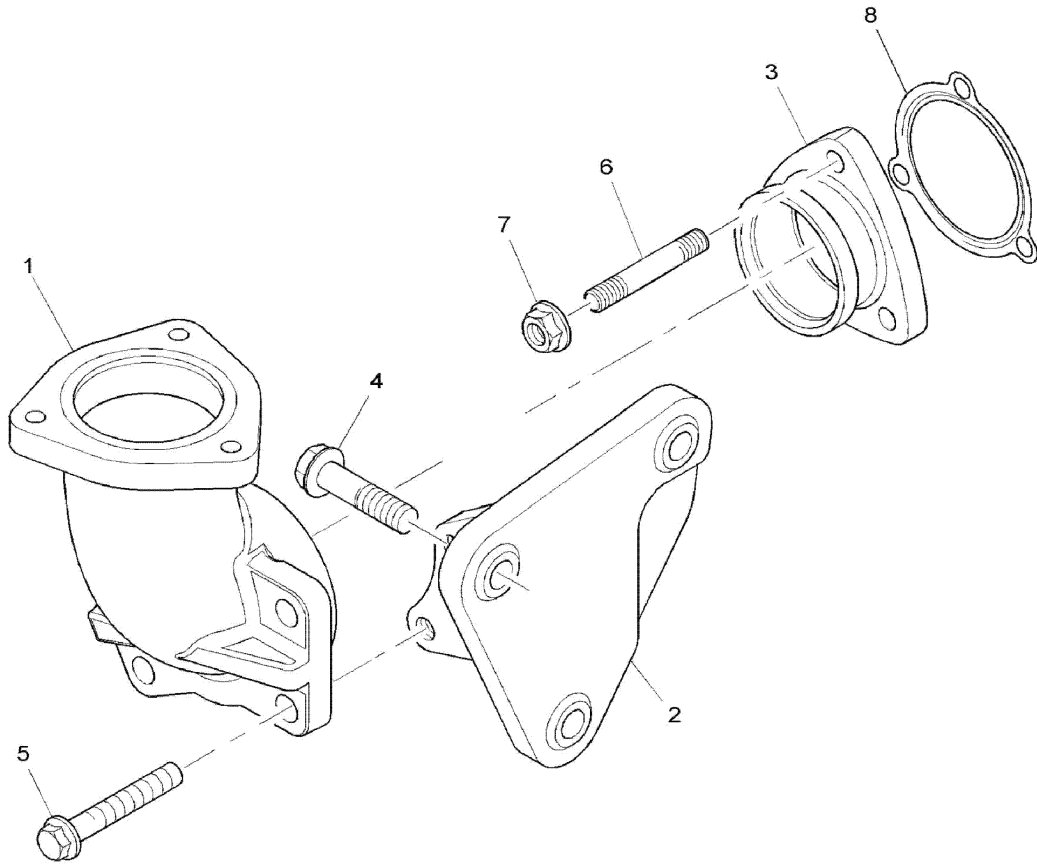
SU HARARET MÜŞÜRÜ, MOTOR 1104D- 44TA
TEMPERATURE GAUGE & SENDER, MOTOR 1104D- 44TA



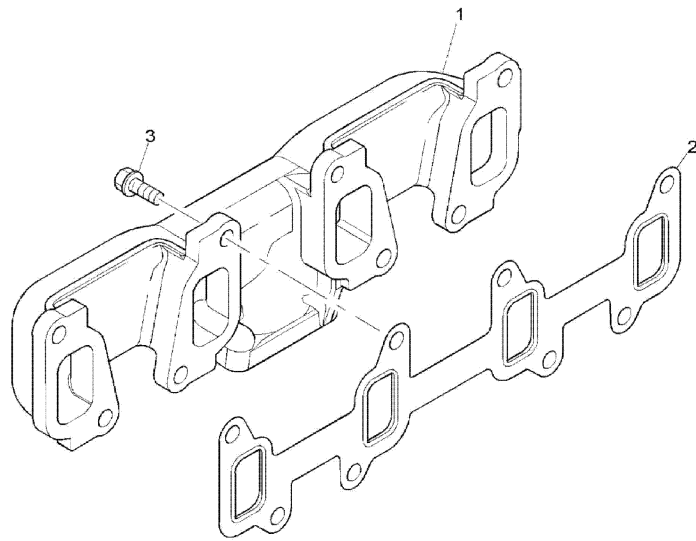
TÜRBOŞARJ, MOTOR 1104D- 44TA
TURBOCHARGER, ENGINE 1104D- 44TA



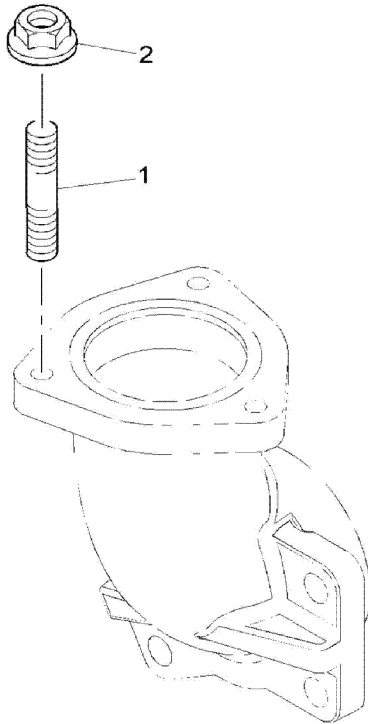
EGSOZ DİRSEĞİ VE BAĞLANTILARI, MOTOR 1104D- 44TA
PIPEWORK & CONNECTIONS, ENGINE 1104D- 44TA



EGSOZ MANİFOLDU, MOTOR 1104D- 44TA
EXHAUST MANIFOLD, ENGINE 1104D- 44TA



BAĞLANTILAR, MOTOR 1104D- 44TA
PIPEWORK & CONNECTION, ENGINE 1104D- 44TA



**EMME MANIFOLDU, MOTOR 1104D- 44TA
INDUCTION MANIFOLD, ENGINE 1104D- 44TA**

